






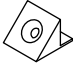
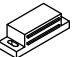














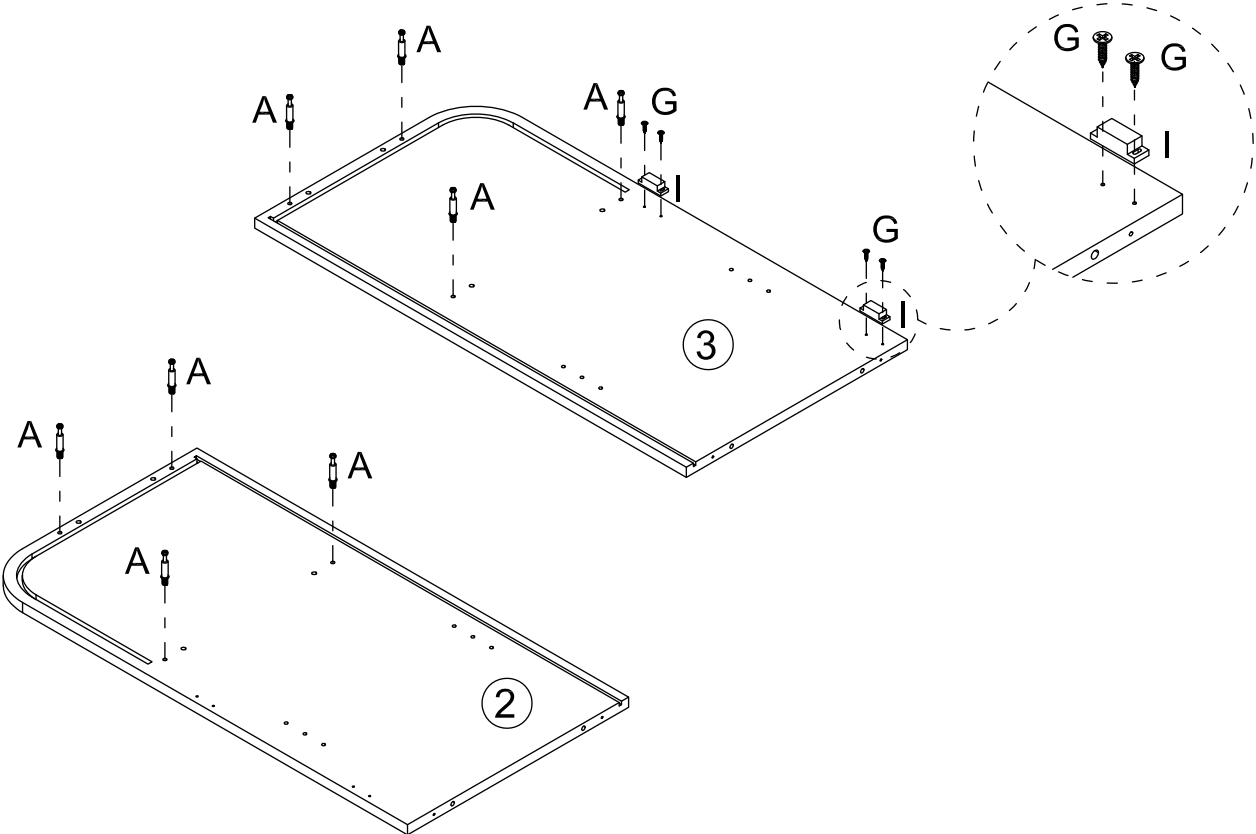
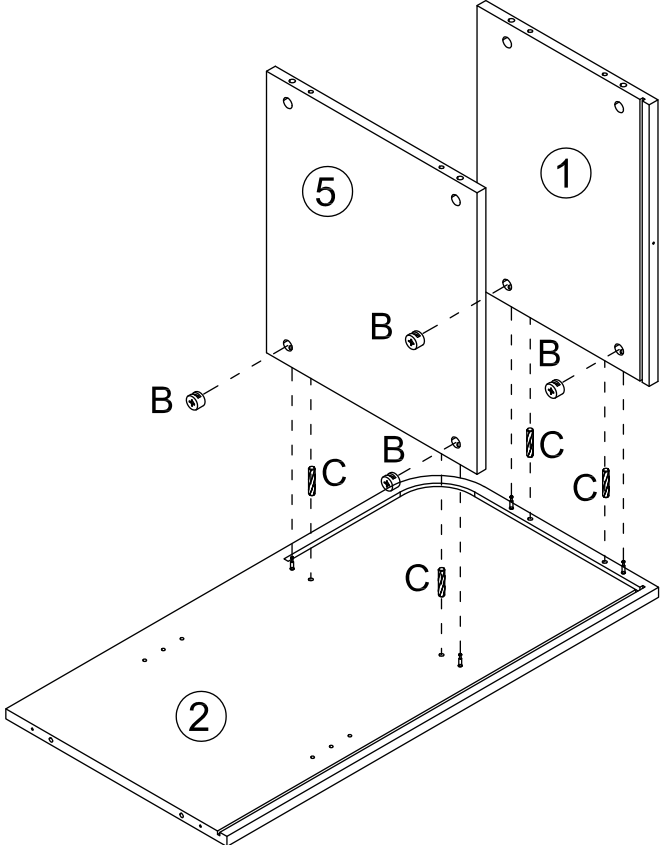


A x8  Ø6x35mm	B x8  Ø6x30mm	C x12  Ø6x30mm	D x4  Ø4x40mm	E x2 	F x12  Ø3x12mm
G x10  Ø3x14mm	H x6 	I x2 	J x8 	K x1 	L x10 
M x1  Ø4x14mm	N x1  Ø4x35mm	O x1 	P x4 	Q x4 	R x2 
S x2 	T x1 	U x1 	V x2  Ø4x18mm	W x8 	

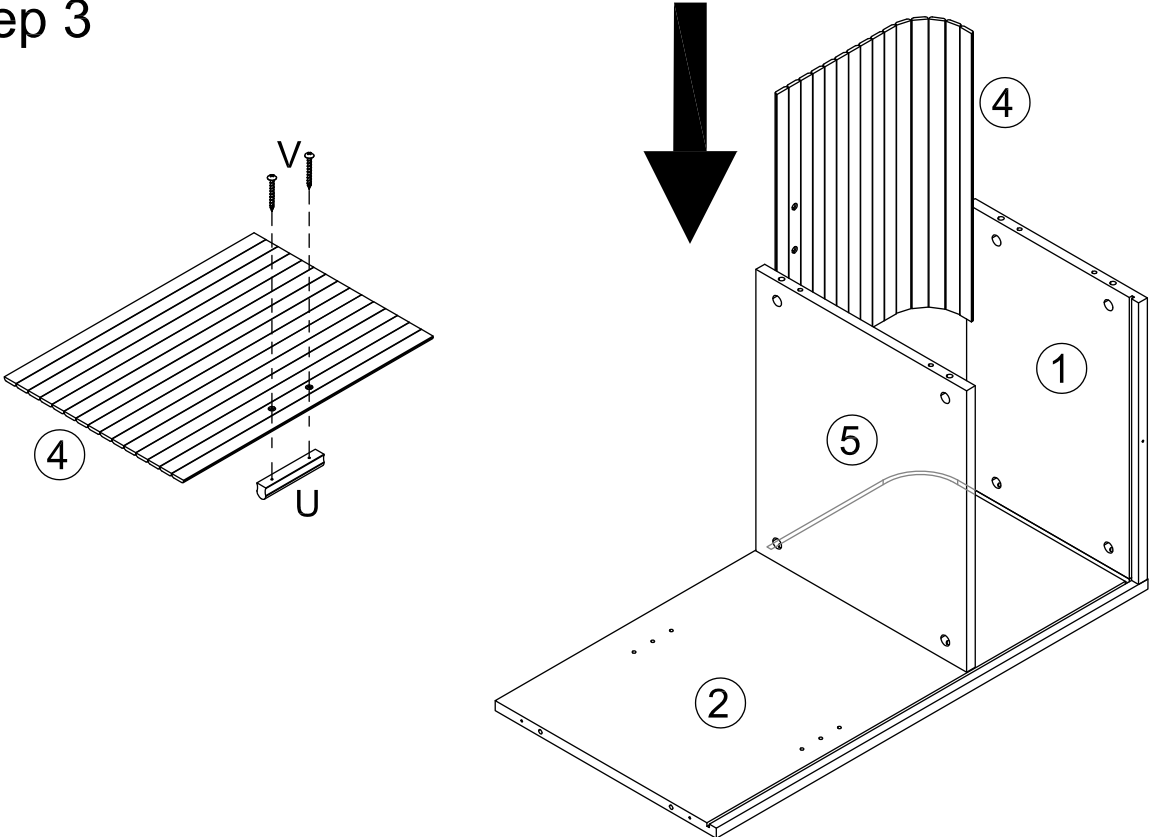
Step 1



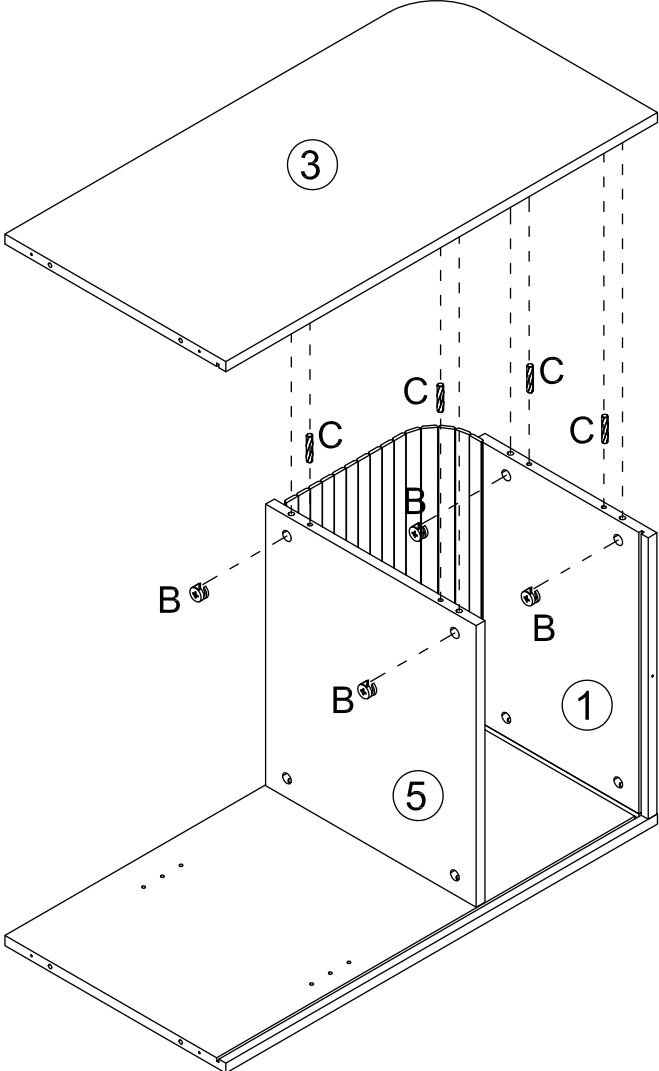
Step 2



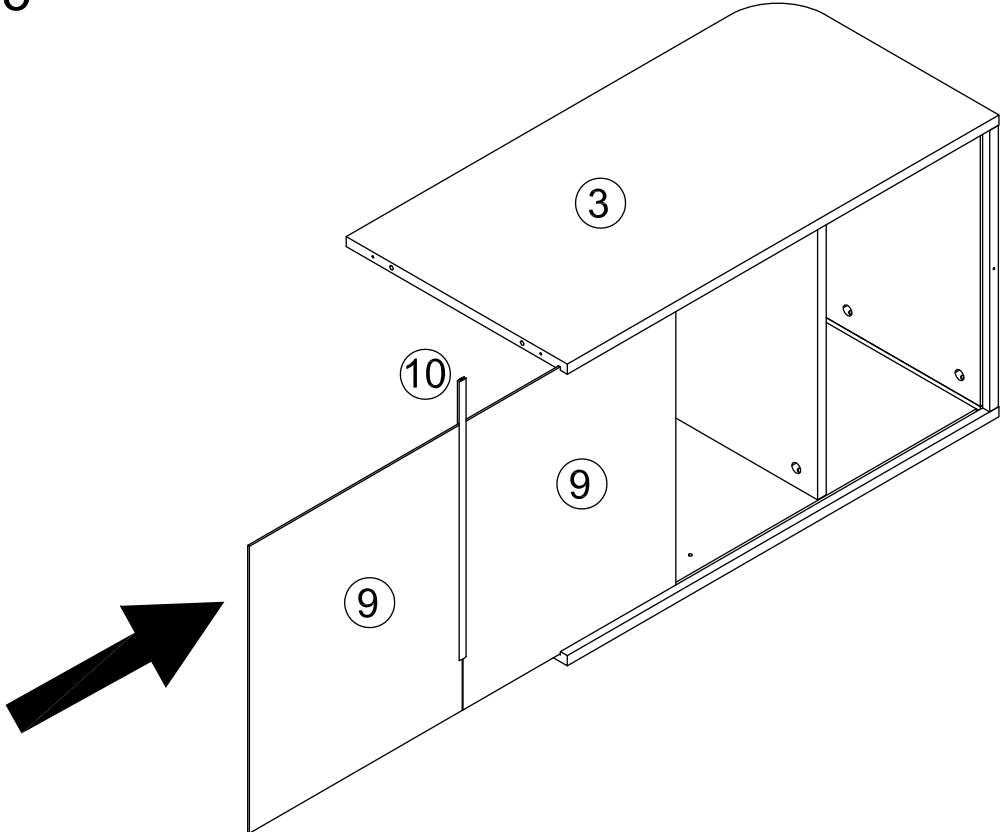
Step 3



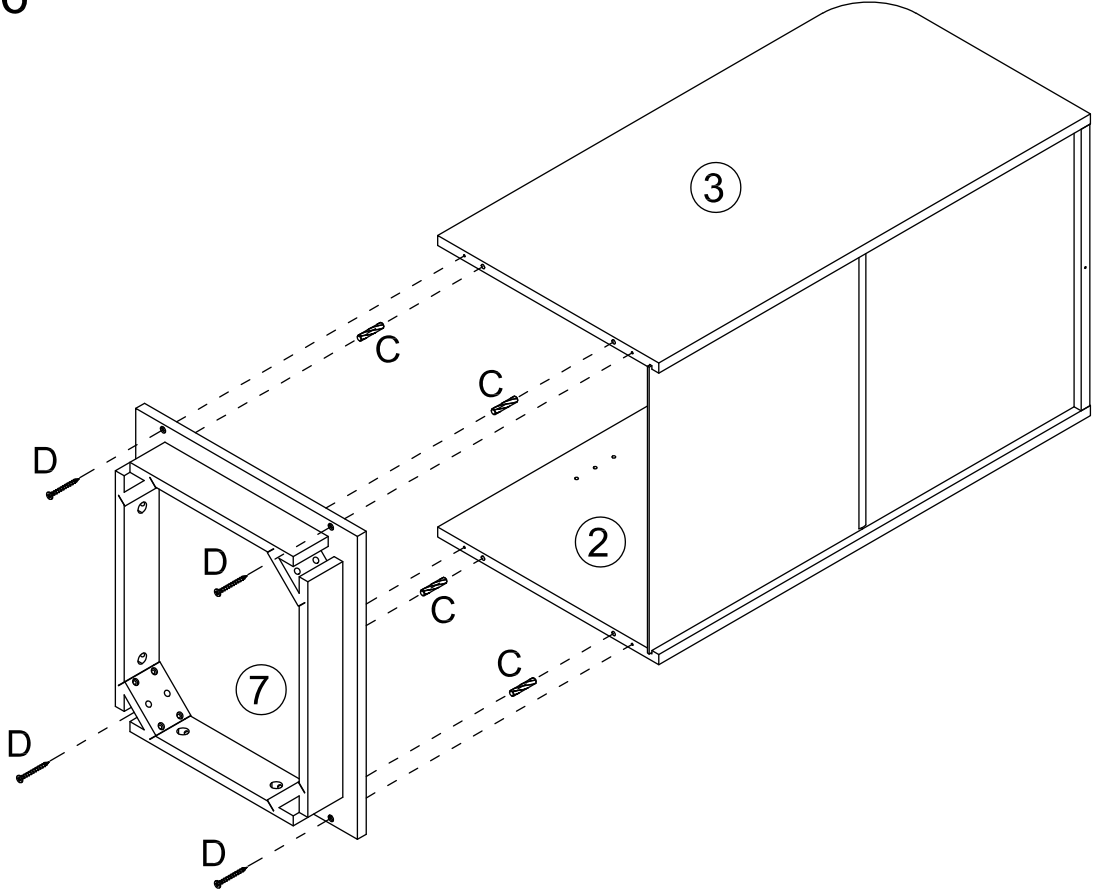
Step 4



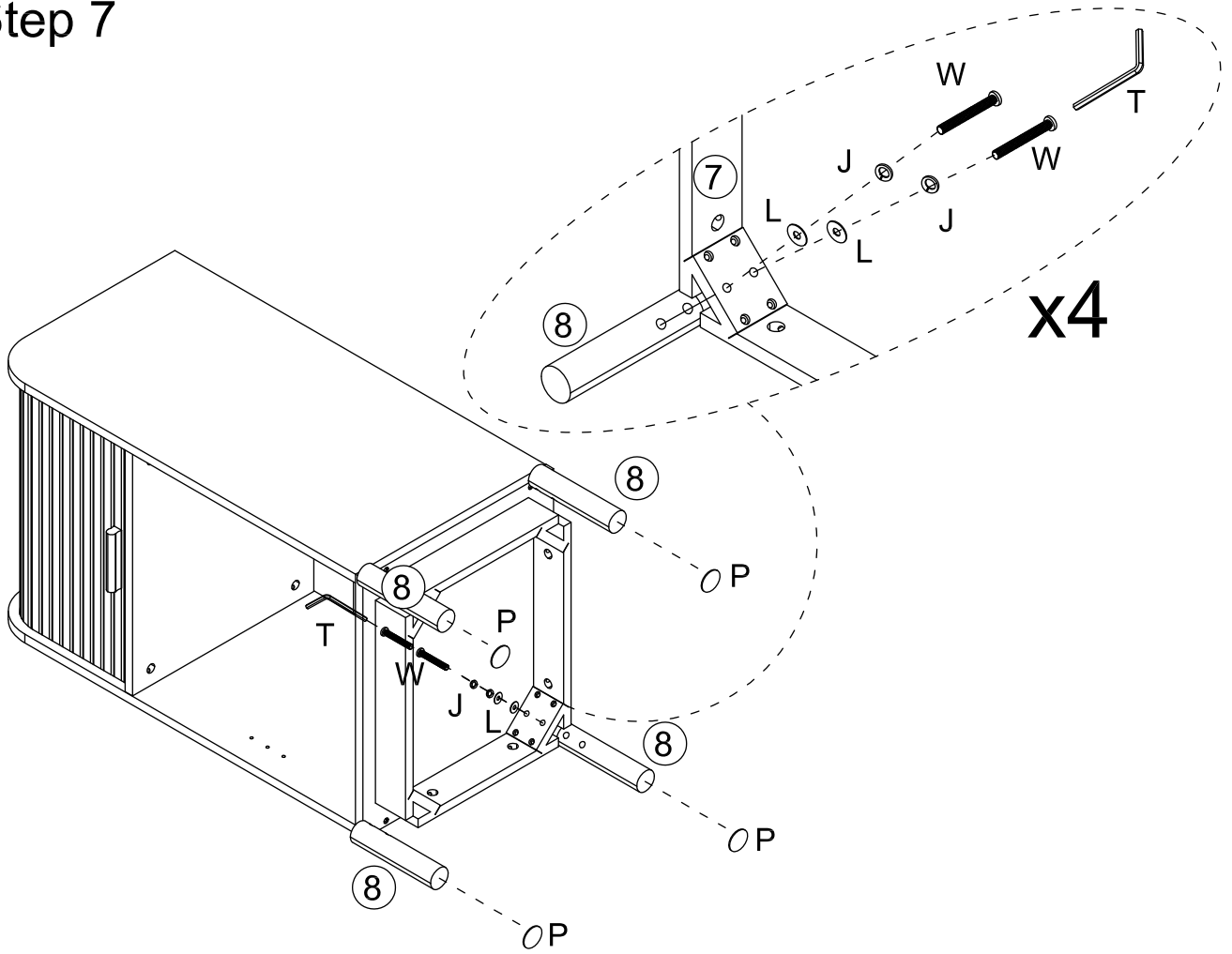
Step 5



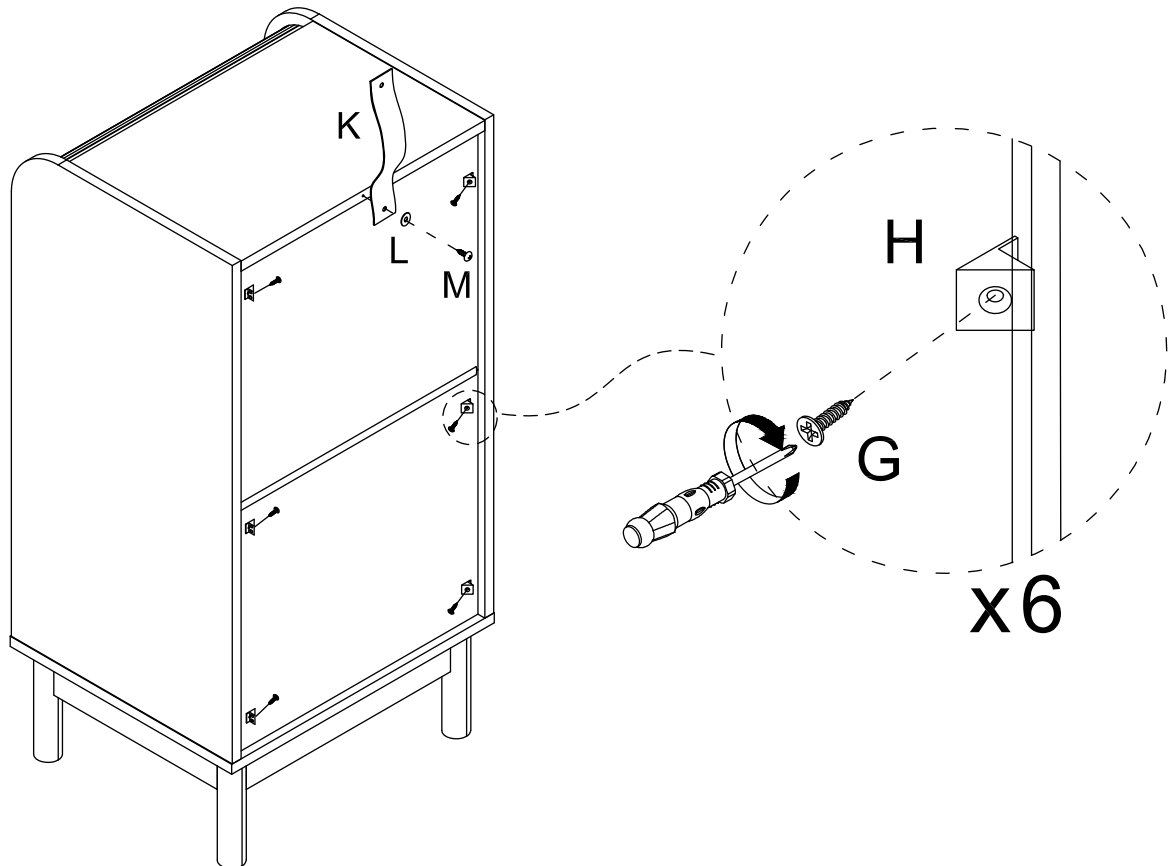
Step 6



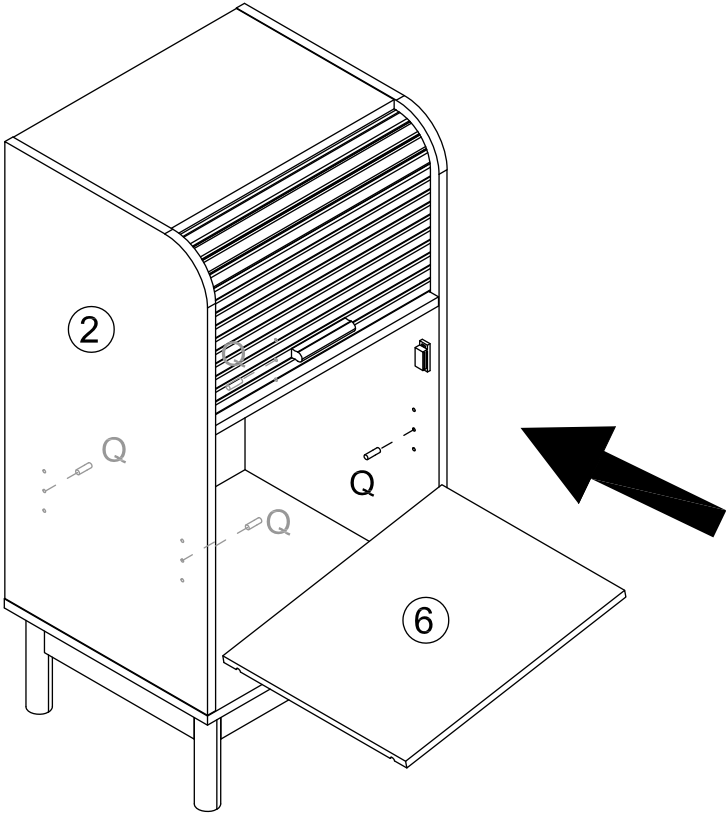
Step 7



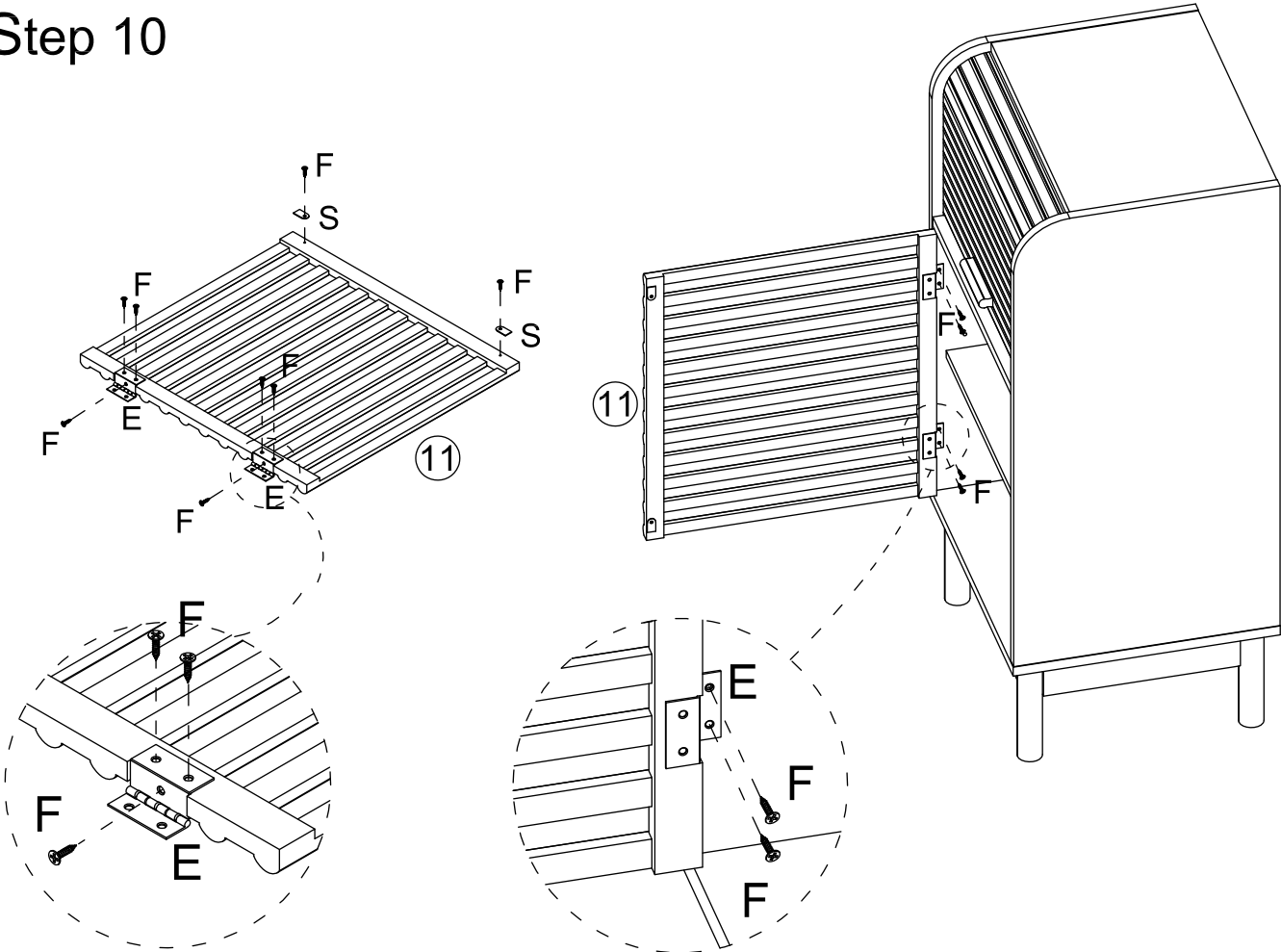
Step 8



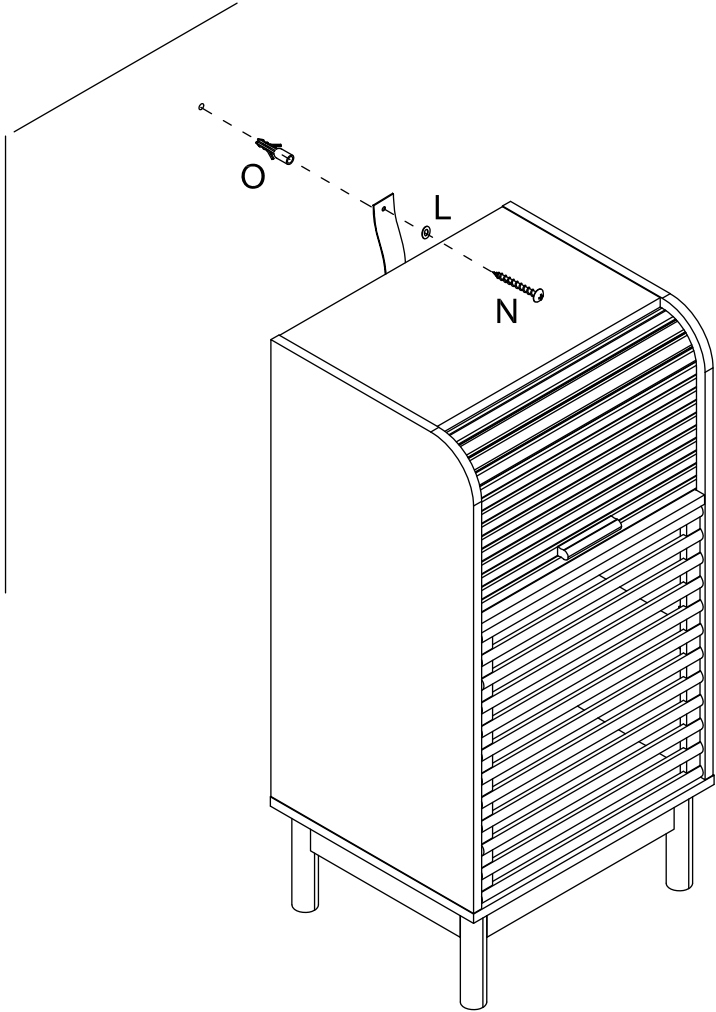
Step 9



Step 10



Step 11



Step 12

