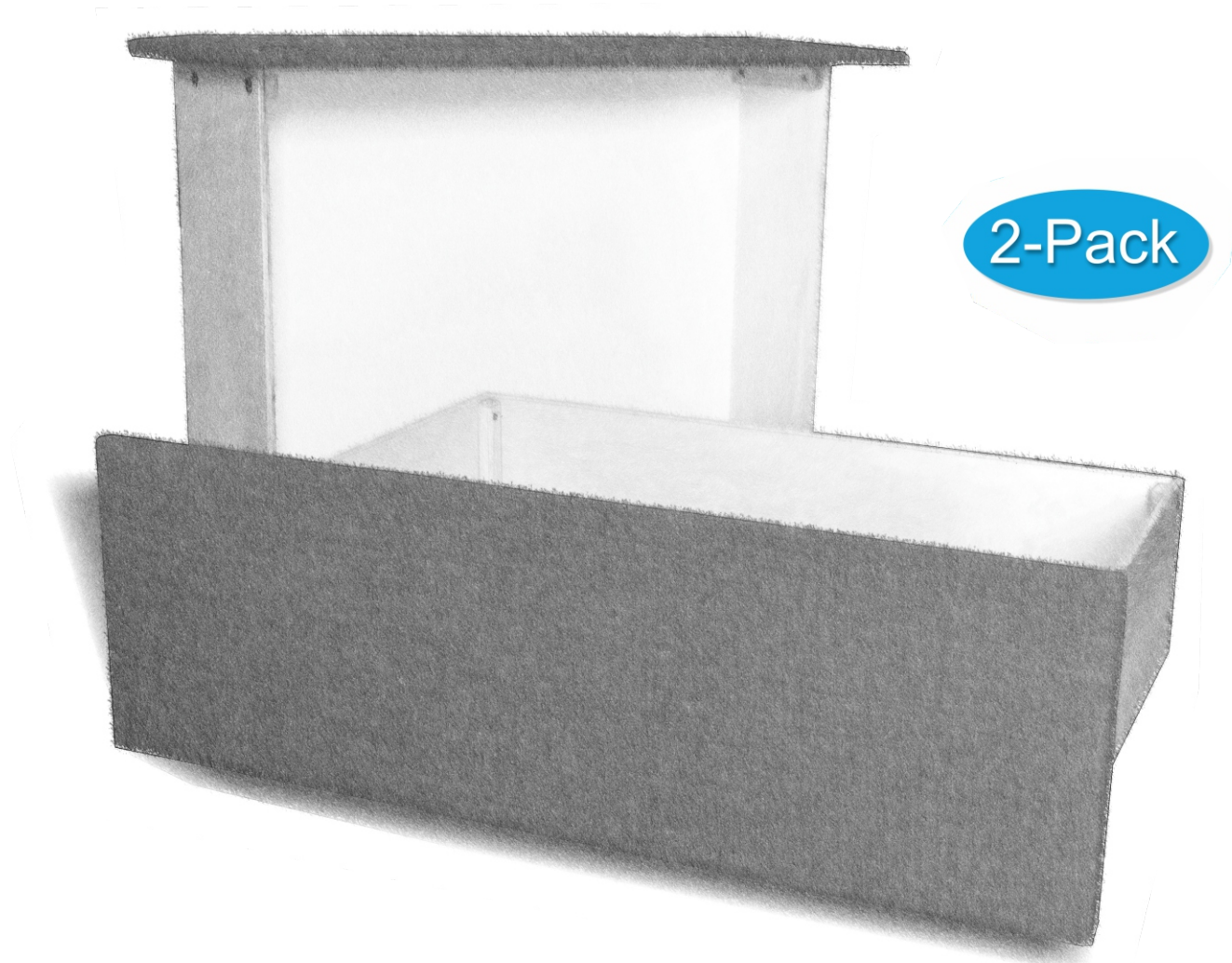


“Kahuna” Extra Large Under-bed Storage Drawers (2- pack) Assembly Instructions



Republic Design House™

“Kahuna” Extra Large Under-bed Storage Drawers (2- pack) **Assembly Instructions**

NOTE: Unbox and place all parts on a clean and smooth surface (rug, carpet) to avoid the parts from being scratched.

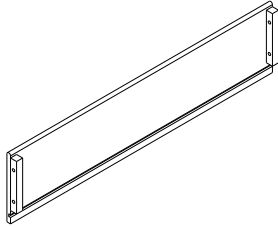
NOTE: Follow assembly instructions step by step.

NOTE: This set of items come in one box

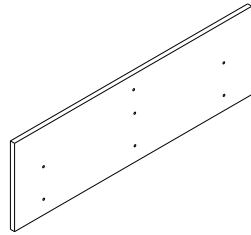
Republic Design House™

“Kahuna” Extra Large Under-bed Storage Drawers (2- pack) Assembly Instructions

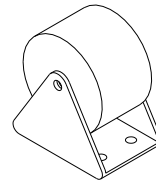
PART LIST:



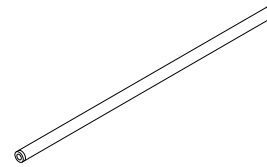
11. Drawer Back
2- Pieces



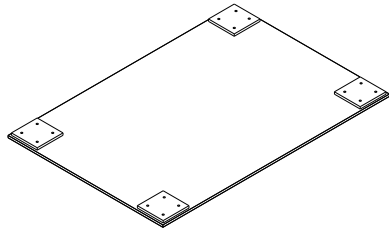
12. Drawer Face
2- Pieces



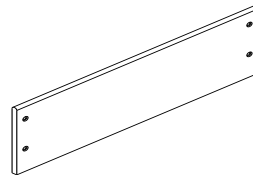
13. Drawer Wheels
8- Pieces



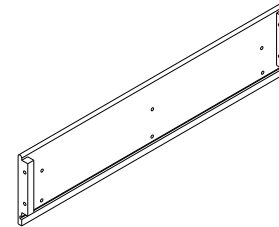
14. Drawer Support
2- Pieces



8. Drawer Bottom
2- Pieces



9. Drawer Side
4- Pieces

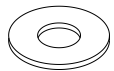


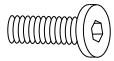
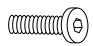


10. Drawer Front
2- Pieces

Republic Design House™

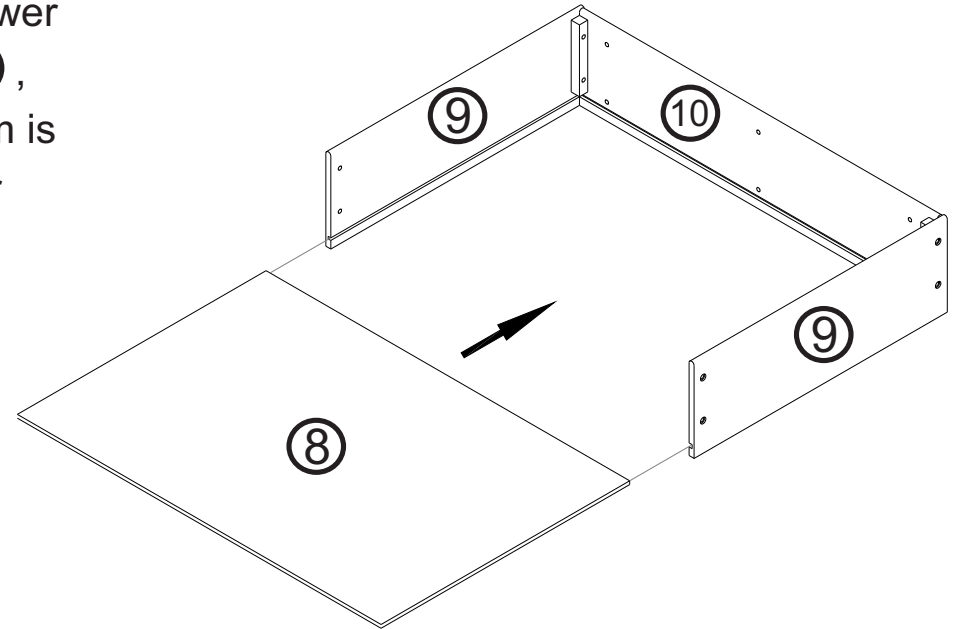
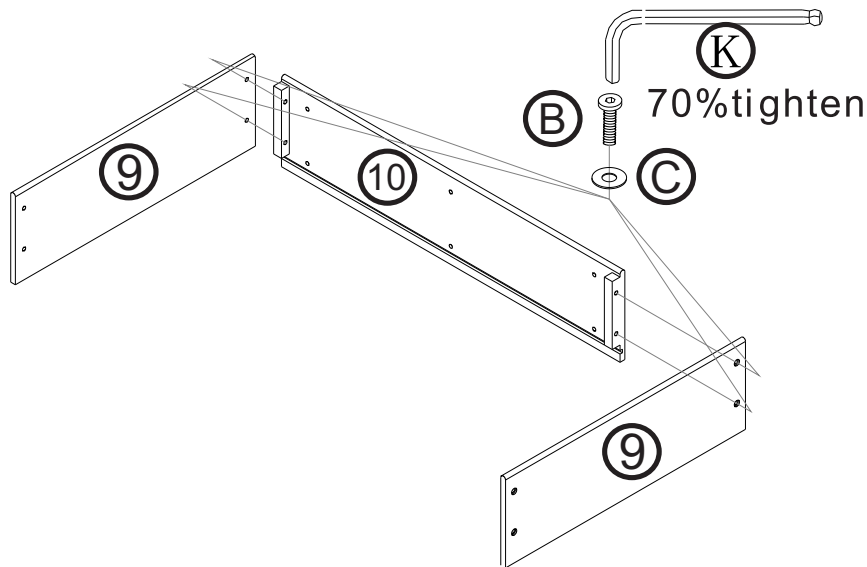
“Kahuna” Extra Large Under-bed Storage Drawers (2- pack) Assembly Instructions

HARDWARE LIST:

LABLE	PICTURE	DESCRIPTION	QTY	LABEL	PICTURE	DESCRIPTION	QTY
C		18mm Washer	16 pcs	K		Allen Wrench	1 pc
				L		Tiny Allen Wrench (for drawer wheels)	1 pc (for bed with drawers)
B		25mm Size Bolt	16 pcs				
I		14mm Size Bolt (tiny bolt for drawer wheels)	16 pcs				

“Kahuna” Extra Large Under-bed Storage Drawers (2- pack) Assembly Instructions

STEP 1: Take (2) Drawer Sides (9) and attach to Drawer Front (10) using (4) bolts (B) & (4) washers (C), making sure the groove for the drawer bottom is lined up on all pieces. Complete this step for however many drawers you have.

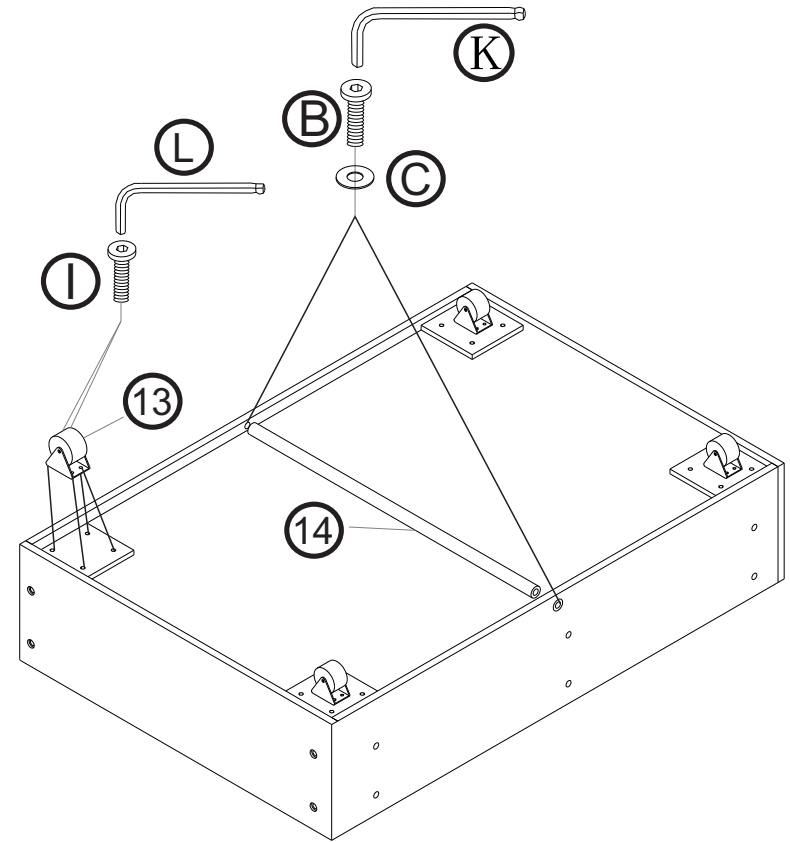
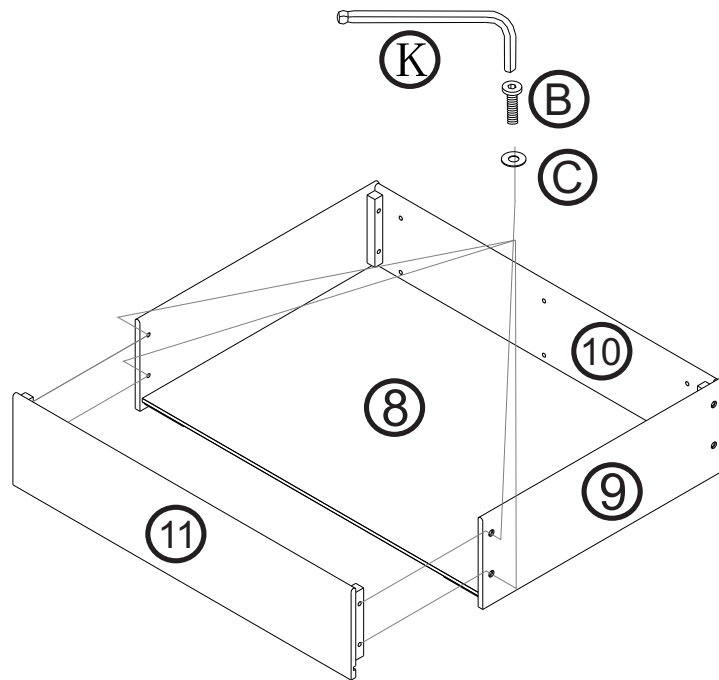


STEP 2: Insert drawer bottom (8) into groove. The side with wheel attachment blocks go underneath. Complete this step for however many drawers you have.

Republic Design House™

“Kahuna” Extra Large Under-bed Storage Drawers (2- pack) Assembly Instructions

STEP 3: Attach drawer back (11)
same way the drawer
front was attached, using
(4) Bolts (B) and (4) washers (C)



STEP 4: Attach drawer bottom support rod (14)
using (2) bolts (B) and (2) washers (C)

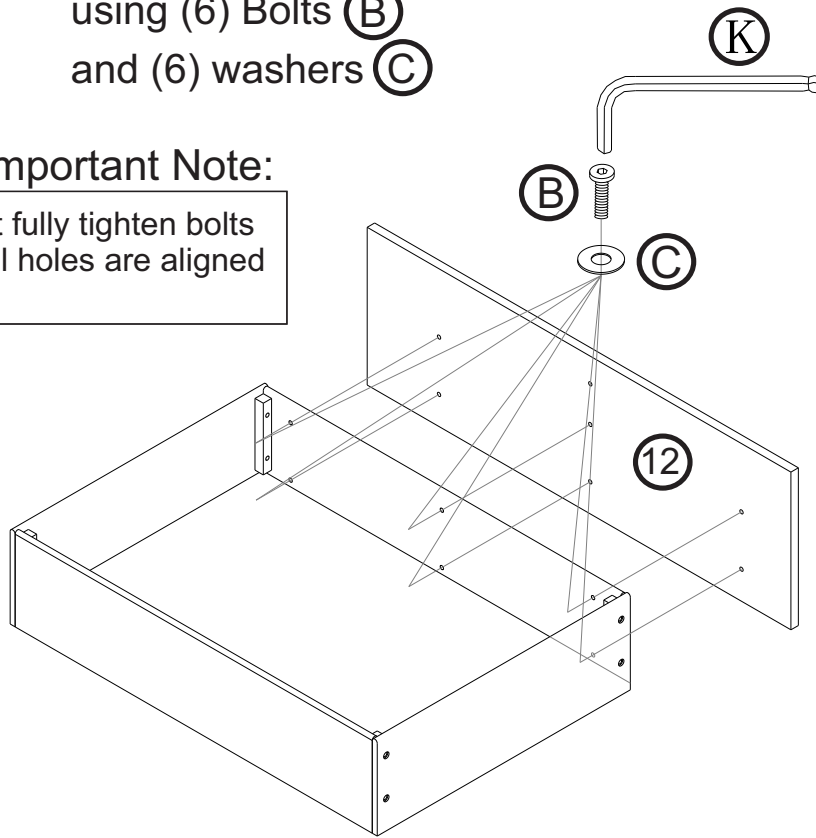
STEP 5: Attach drawer wheels (13) using
bolts (I) and allen wrench (L)

Republic Design House™

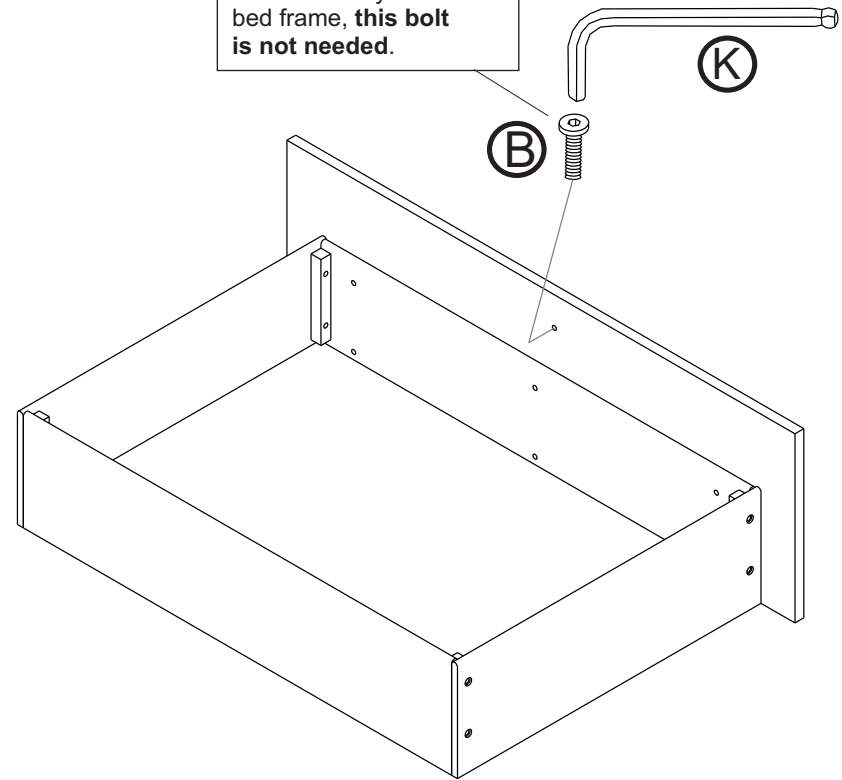
“Kahuna” Extra Large Under-bed Storage Drawers (2- pack) Assembly Instructions

STEP 6: Attach drawer face **(12)**
using (6) Bolts **(B)**
and (6) washers **(C)**

! Important Note:
Do not fully tighten bolts
until all holes are aligned
first.



This bolt is used as a
locking mechanism when
drawers are used in
conjunction with the
matching bedframe.
If you are using these
drawers with your own
bed frame, **this bolt
is not needed.**



Republic Design House™