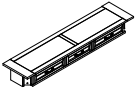

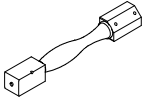







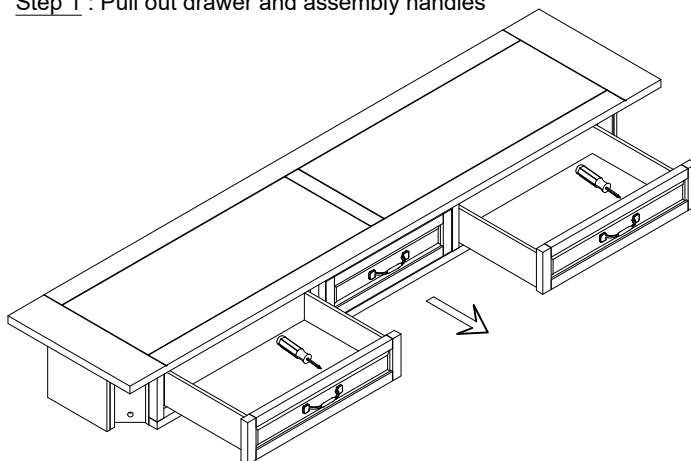
# ASSEMBLY INSTRUCTION

Thank you for purchasing this quality product. Be sure to check all packing material carefully for small parts which may have come loose inside the carton during shipment. Separate, identify and count all parts and metal hardware. Compare with parts list to be sure all parts are present. If any part(s) are missing or damaged, please contact your local furniture dealer. For efficient and speedy service, please indicate the model number and code letter of part(s) needed.

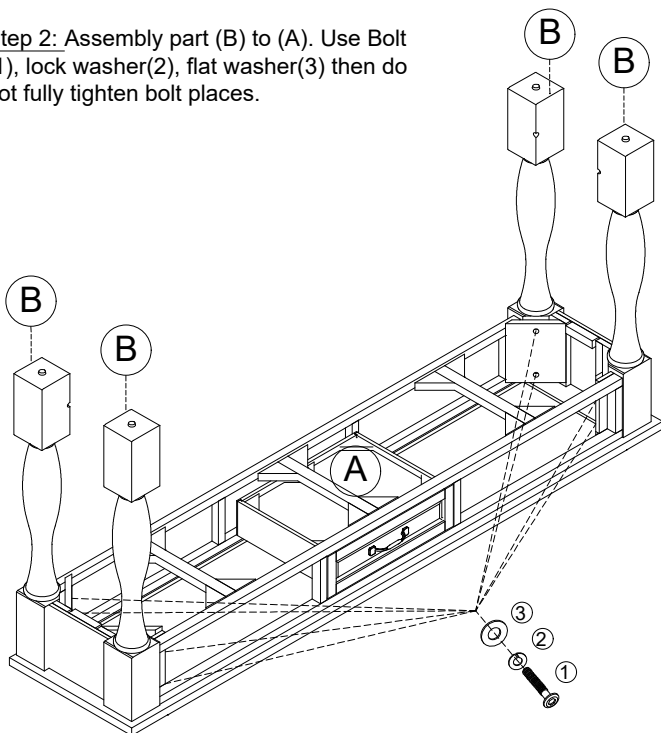
**\*\*\* Do not fully tighten screws until fully assembled \*\*\***

No.	COMPONENT LIST		Q'ty	No.	HARDWARE LIST		Q'ty
(A)		Console Table Frame	1pc	1		Bolts 5/16x50mm	12pcs
(B)		Legs	4pcs	2		Lock Washer 5/16	12pcs
(C)		Shelf	1pc	3		Flat Washer 5/16	12pcs
(D)		Support Leg	1pc	4		Allen key K4	1pcs

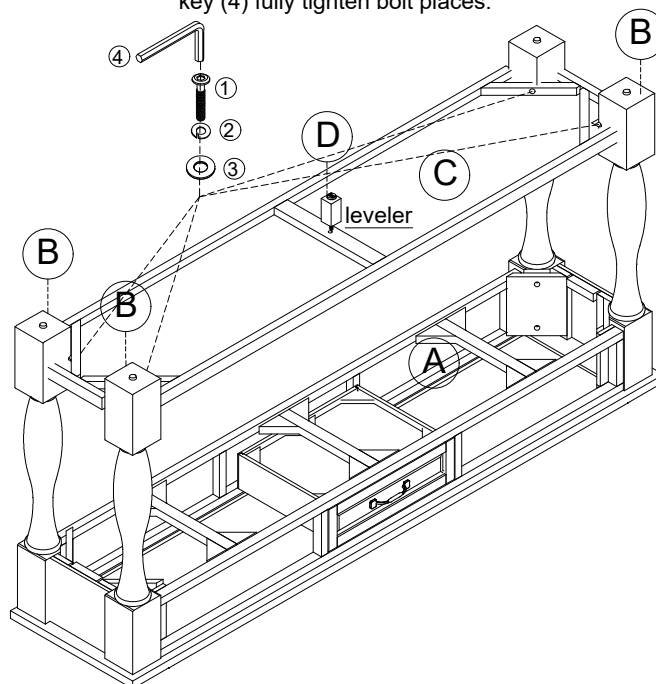
Step 1 : Pull out drawer and assembly handles



Step 2: Assembly part (B) to (A). Use Bolt (1), lock washer(2), flat washer(3) then do not fully tighten bolt places.



Step 3 : Assembly part (C) to part (B) and part(D) to part (C). Use Bolt (1), lock washer(2), flat washer(3). Then use Allen key (4) fully tighten bolt places.

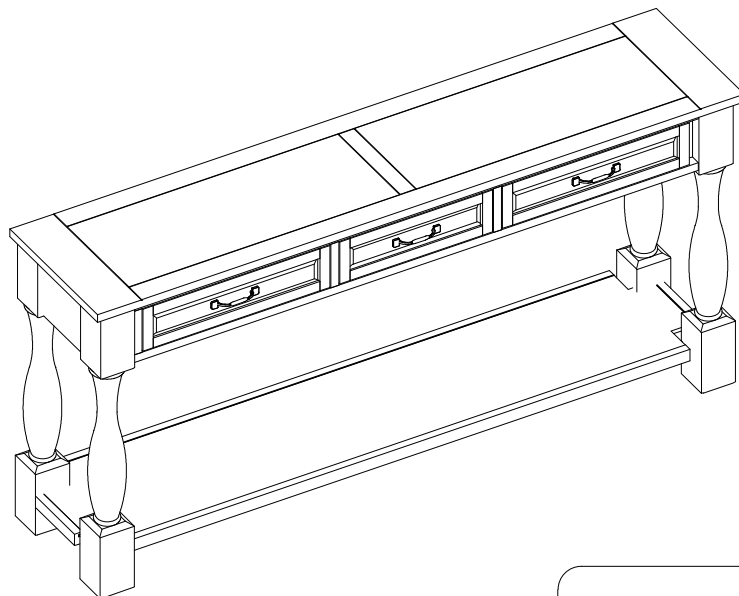
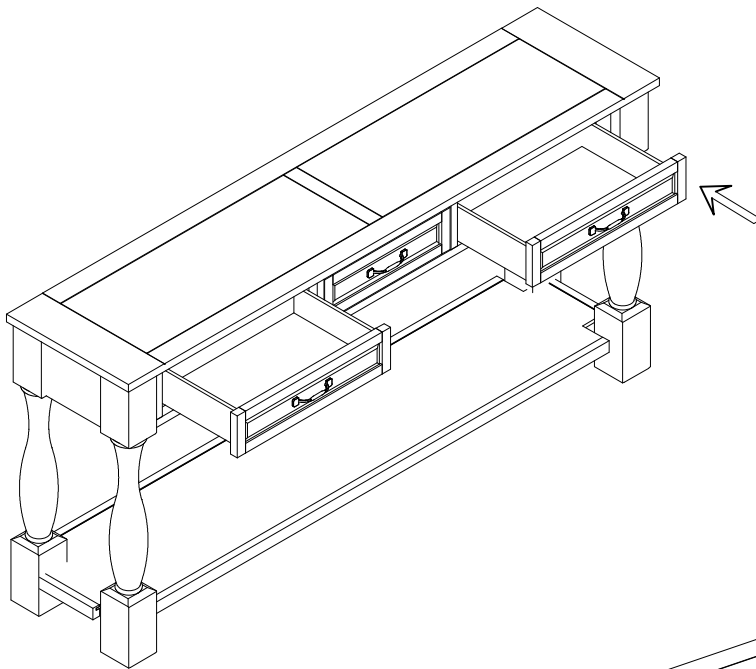


# ASSEMBLY INSTRUCTION

Thank you for purchasing this quality product. Be sure to check all packing material carefully for small parts which may have come loose inside the carton during shipment. Separate, identify and count all parts and metal hardware. Compare with parts list to be sure all parts are present. If any part(s) are missing or damaged, please contact your local furniture dealer. For efficient and speedy service, please indicate the model number and code letter of part(s) needed.

**\*\*\* Do not fully tighten screws until fully assembled \*\*\***

Step 4 : Push drawer to Console Table frame



FINISH .  
THANK YOU !