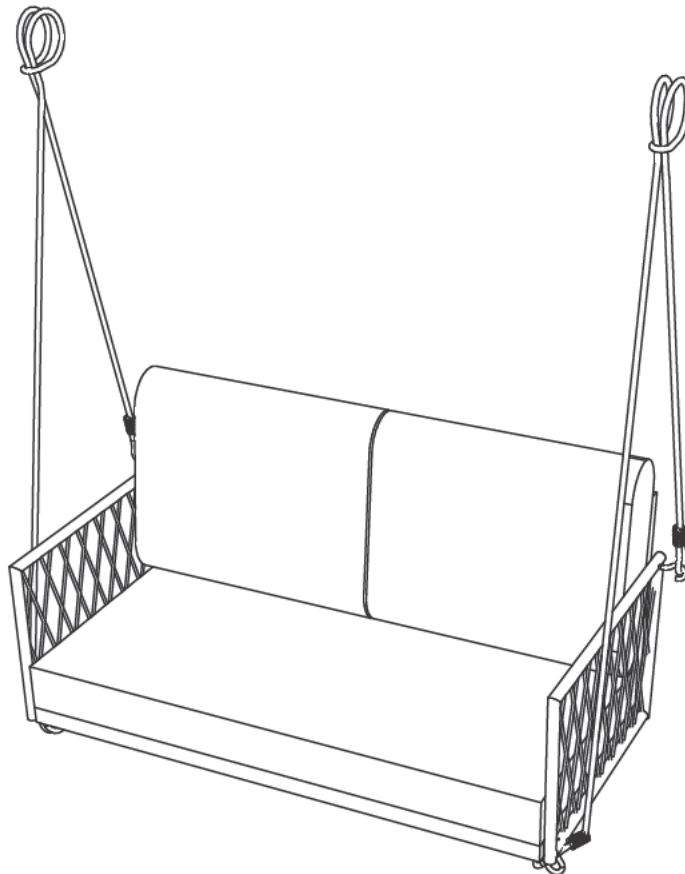


# ASSEMBLY INSTRUCTION

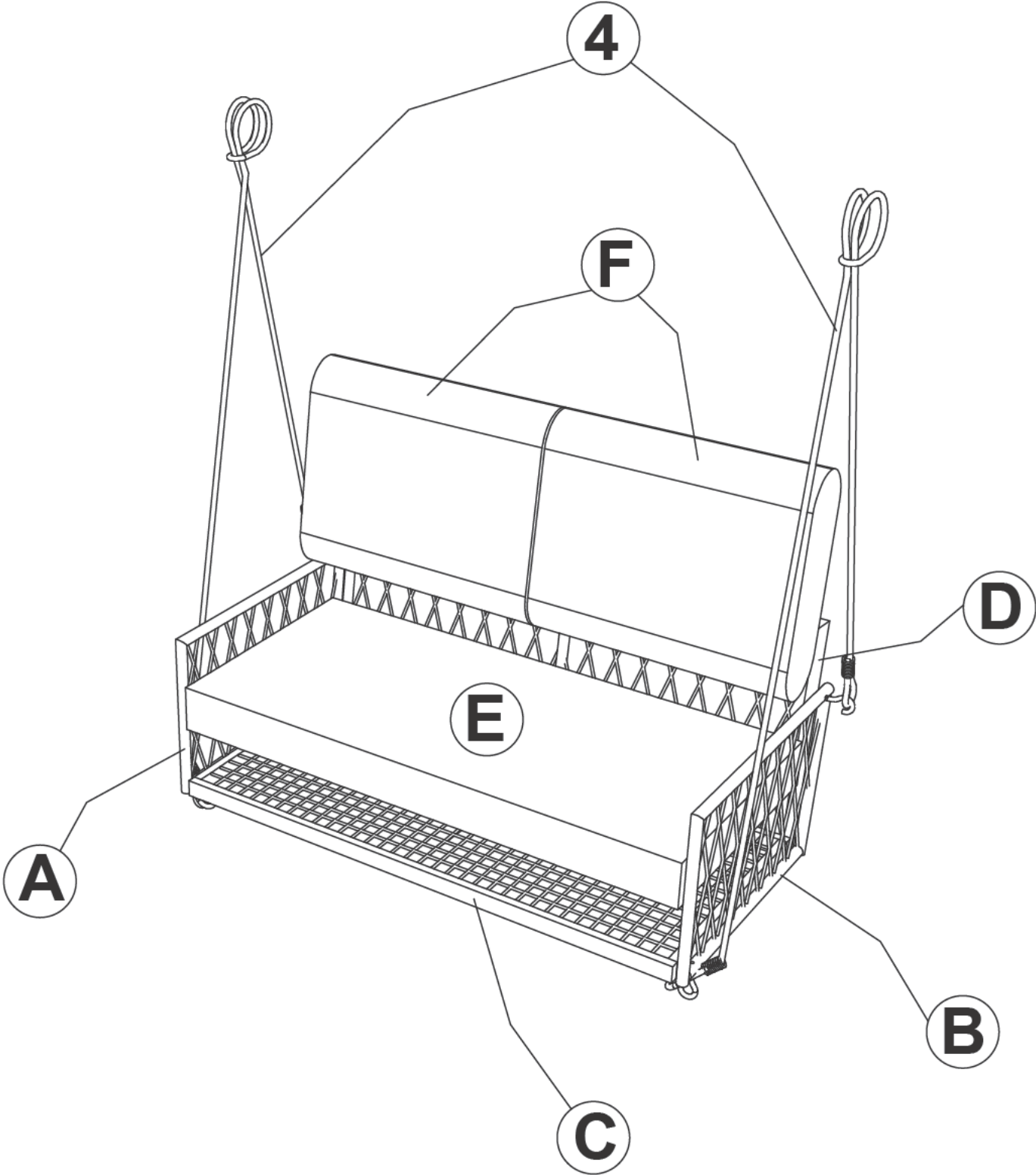
## OUTDOOR SWING SOFA



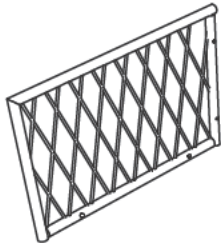
**Please read all instructions carefully:**

- 1. Have 2 adults on hand for assembly.**
- 2. 50% Tighten before fixing all screws, Allen wrench is recommended instead of an electric drill.**
- 3. Place the item on a flat ground to adjust and make sure it remains stable.**
- 4. Tighten up all screws with tools gradually.**
- 5. If the screws are not aligned with holes during assembly, please loosen all the other screws to 50% and continue the assembly process.**
- 6. If the item is not stable, please loosen all the screws, adjust it on a flat ground and tighten up all screws again.**
- 7. Note : If one or some screws are fully tightened during assembly, chances are the others will not be aligned with holes. In addition, all the holes are designed to be relatively larger to provide more space for the adjustment of the screws.**

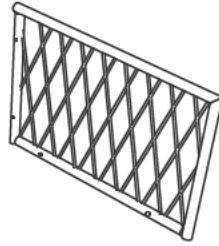
# Exploded View



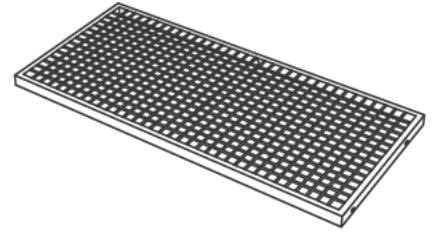
# PART LIST



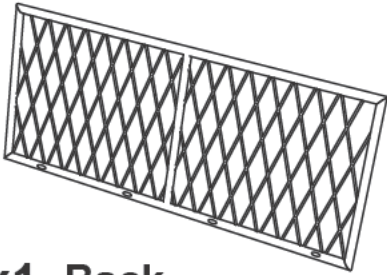
**Ax1 Right arm**



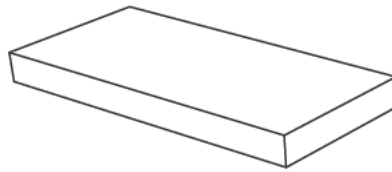
**Bx1 Left arm**



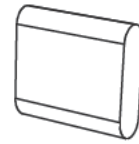
**Cx1 Seat chair**



**Dx1 Back**

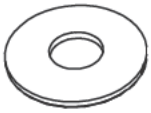


**Ex1 Seat Cushion**

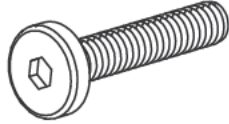


**Fx2 Pillow**

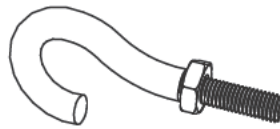
# HARDWARE LIST



**1- Washer: 12PCS**  
Extra : 1 pcs



**2-Bolt 6x45: 12PCS**  
Extra : 1 pcs



**3-Hook: 4 PCS**

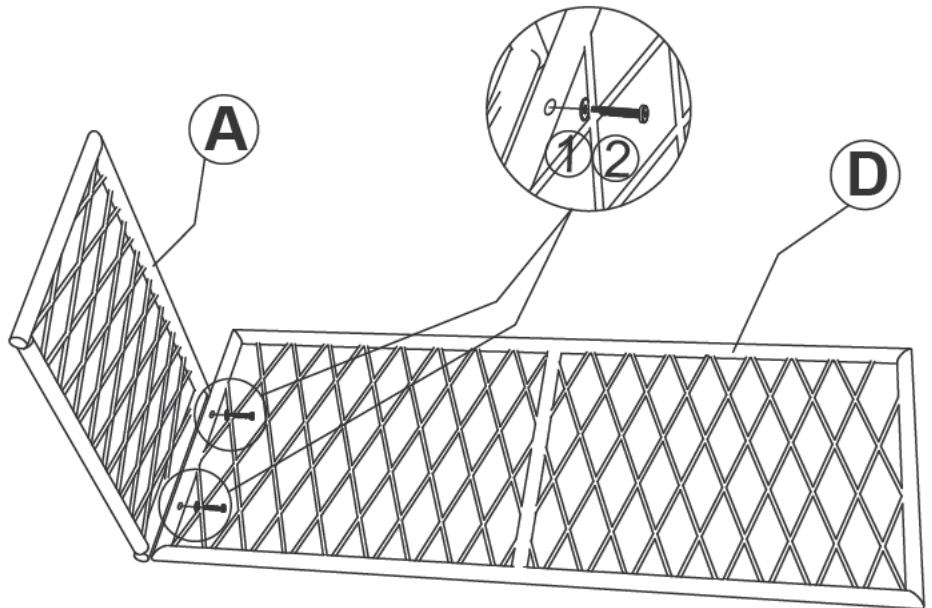
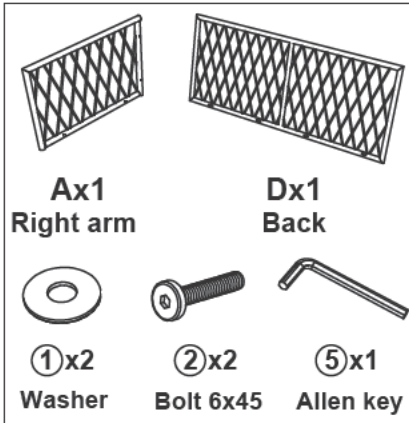


**4- Swing hanging rope: 2PCS**



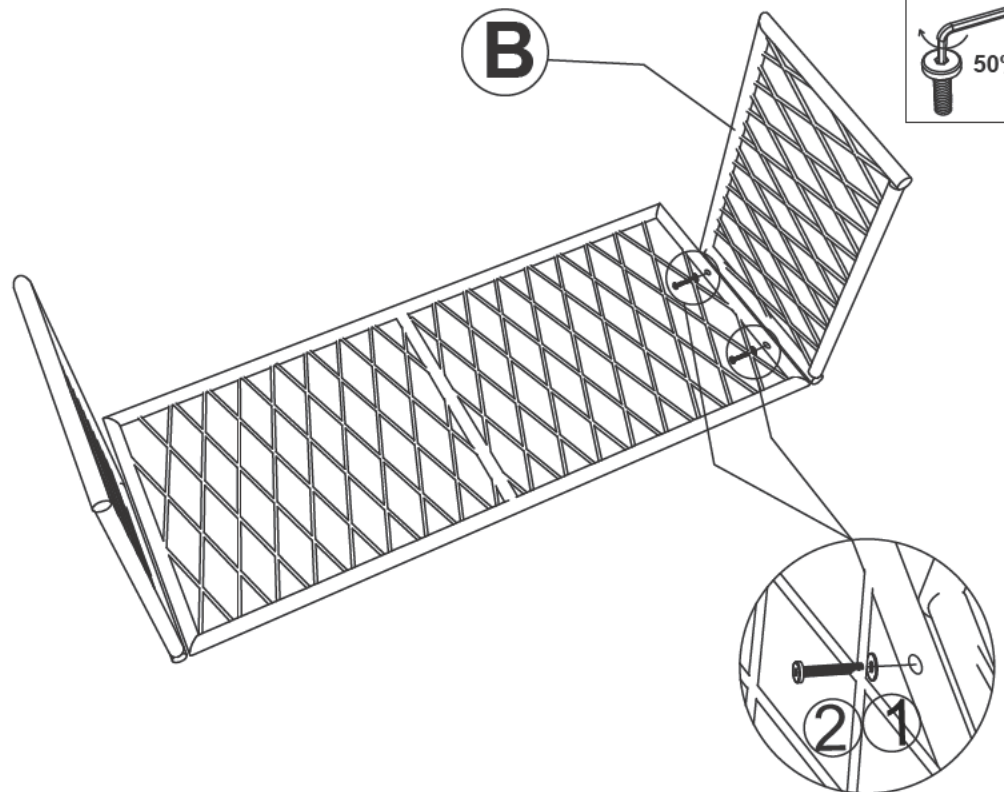
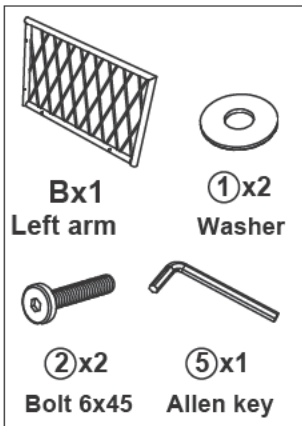
**5- Allen key: 2PCS**

# Step 1



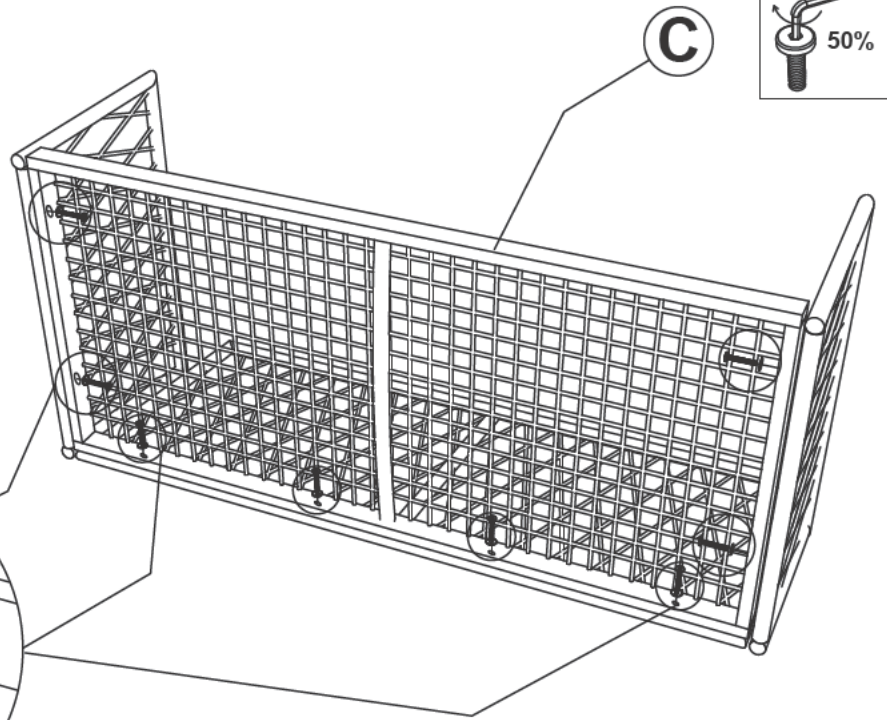
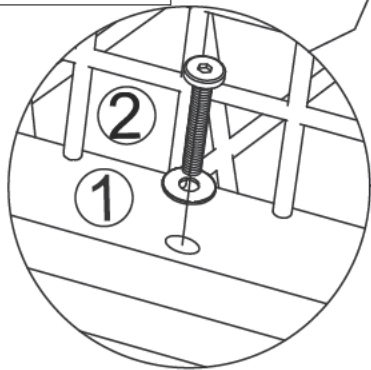
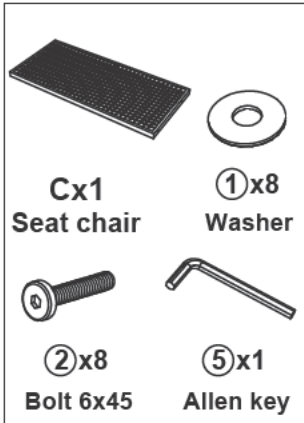
Connect The Right arm (A) & Back (D), tighten Bolt (2), Flat Washer (1) With Allen key (5)

# Step 2



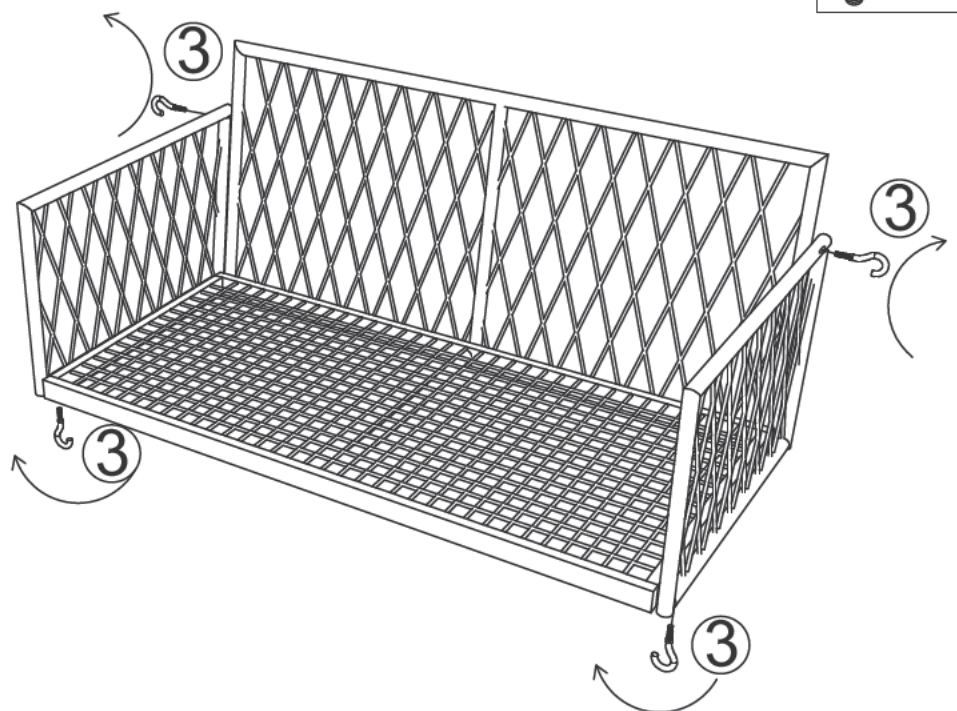
Connect The part from Step (1) & left (B), tighten Bolt (2), Flat Washer (1) With Allen key (4)

## Step 3



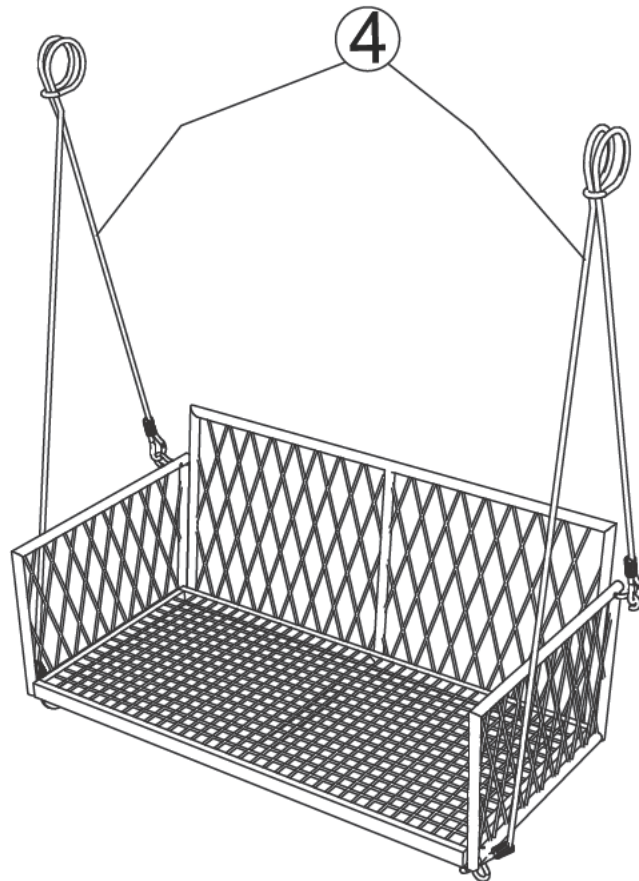
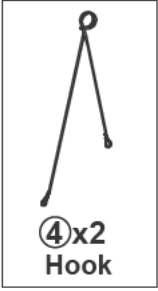
Connect The part from Step (2) & Seat chair (C), tighten Bolt (2), Flat Washer (1) With Allen key (4)

## Step 4



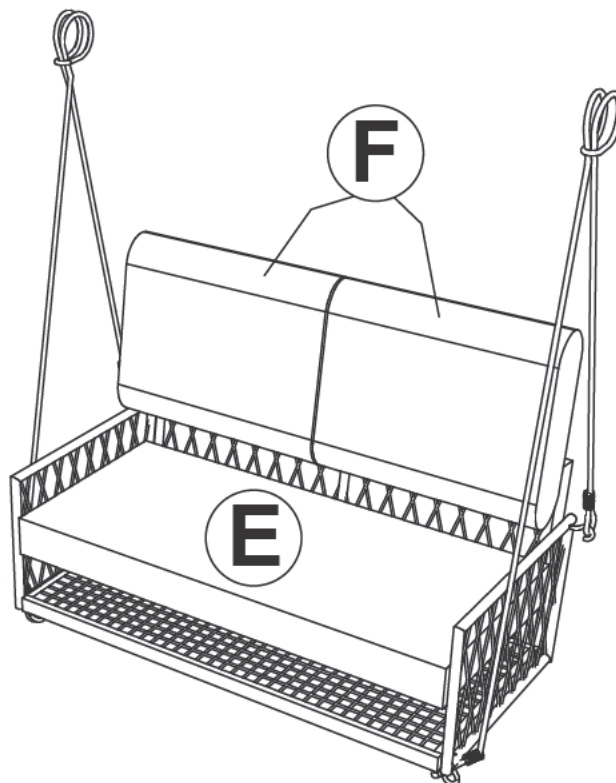
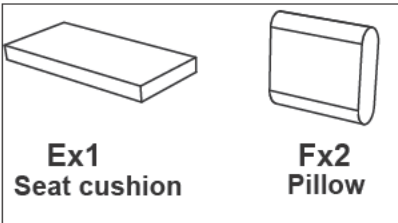
Connect The part from Step (3) & Hook (3)

## Step 5



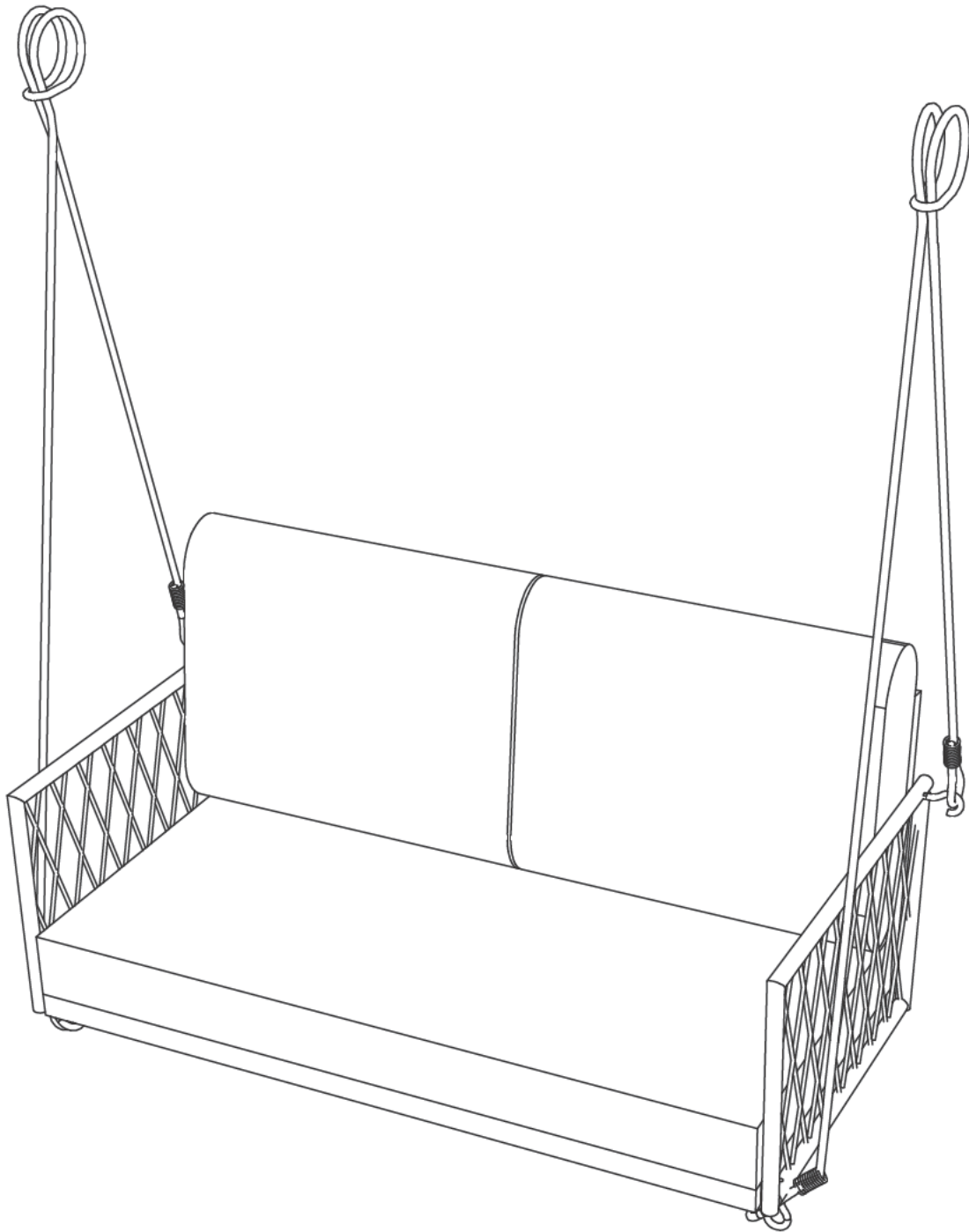
Connect The part from Step (4) & Swing hanging rope (4),

## Step 6



Put on Seat cushion (E), Pillow (F), to Swing to finish swing

# Step 7



**Finish Outdoor Swing Sofa**