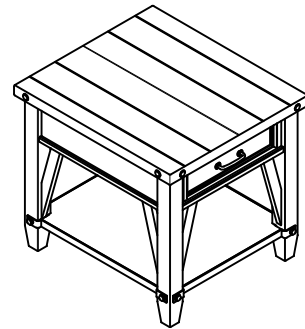


# ASSEMBLY INSTRUCTIONS



262 - 915

## TOOLS REQUIRED:

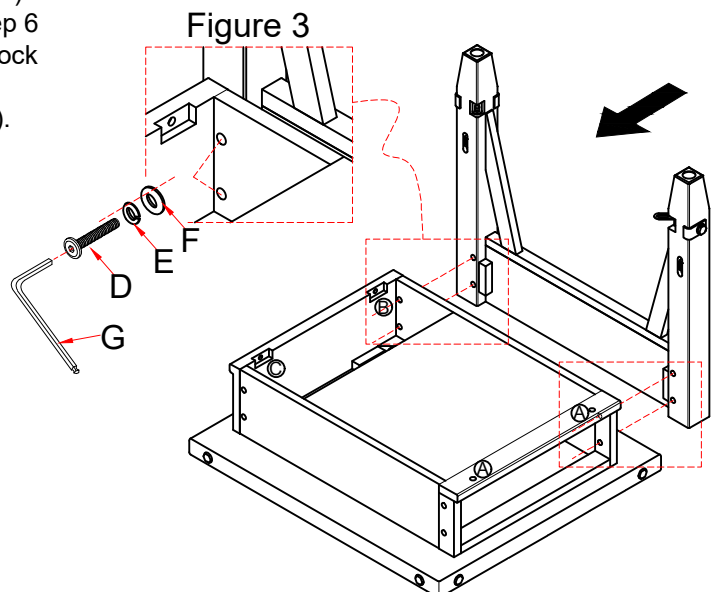
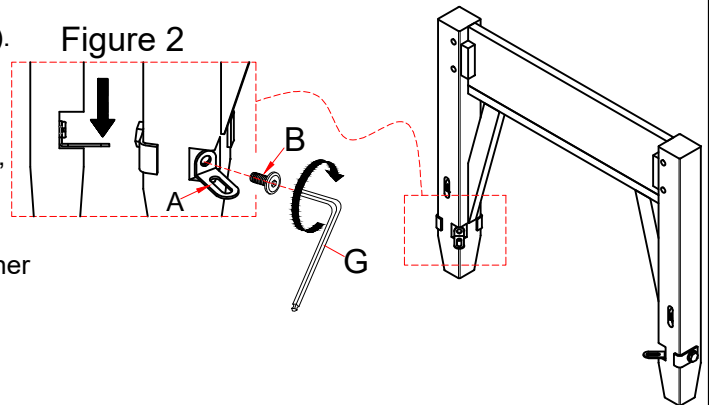
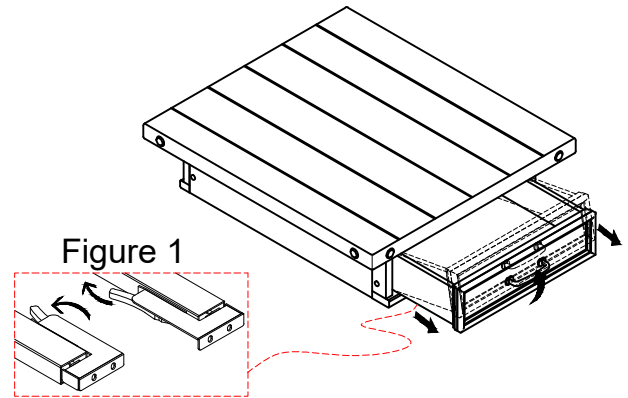
Allen Key (supplied, Part # G)







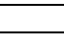
## BEFORE YOU START:

1. Check the hardware against the hardware list to make sure all items are present.
2. Assemble your furniture on a soft, flat surface to avoid scratching the finish.
3. **CAUTION:** Do not over tighten screws, nuts or bolts during assembly.
4. Your furniture may require occasional tightening.

## INSTRUCTIONS:

1. Turn Table Top on to a clean, soft surface. Pull the drawer out by hands then press the locking device with your hands softly in the direction of the arrow and remove the drawer.(See Figure 1).
2. Attach Metal "L" (A) on the Legs frame by using Bolt (B) with Allen Key (G). (See Figure 2).
3. Attach Legs frame on the Table Top by using Flat washer (F), Lock Washer (E), Bolt (D) with Allen Key (G).(See Figure 3).
4. Attach Stretcher on Legs frame (See Figure 4) then attach Stretcher on the Table Top by using Flat washer (F), Lock Washer (E), Bolt (C) with Allen Key (G).(See Figure 5).
5. Attach Stretcher on Leg frame (See Figure 6).
6. At the same time attach leg frame of Step 5 and shelf on the table top .(See Figure 7).
7. Using Flat washer (F), Lock Washer (E), Bolt (D) and Bolt (E) with Allen Key (G) to connect the two legs and stretcher of step 6 on the table top.(See Figure 8). Then using Flat washer (F), Lock Washer (G), Bolt (B) with Allen Key (G) to attach Shelf on the legs frame. (See Figure 9). Tighten all bolts with Allen Key (G).
8. Turn the Table upside down, using Flat washer (F), Lock Washer (E), Bolt (C) with Allen Key (G) to attach Stretcher on the Table.Tighten all bolts with Allen Key (G).(See Figure 10)
9. Fully open the slides, push the drawer down on the slides, then close the drawer.(See Figure 11).



No.	Hardware List		Q'ty
A		Metal "L" 41 x 21 x 18mm	4
B		Bolt Ø1/4 x 5/8"	8
C		Bolt Ø1/4 x 1"	4
D		Bolt Ø1/4 x 1-3/8"	8
E		Lock Washer Ø1/4"	16
F		Flat Washer Ø1/4"*16mm	16
G		Allen Key 4mm	1

# ASSEMBLY INSTRUCTIONS

## TOOLS REQUIRED:

Allen Key (supplied, Part # G)

## BEFORE YOU START:

1. Check the hardware against the hardware list to make sure all items are present.
2. Assemble your furniture on a soft, flat surface to avoid scratching the finish.
3. **CAUTION:** Do not over tighten screws, nuts or bolts during assembly.
4. Your furniture may require occasional tightening.

## INSTRUCTIONS:

