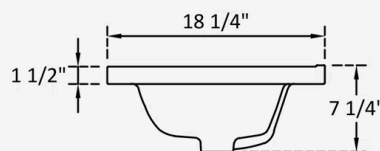
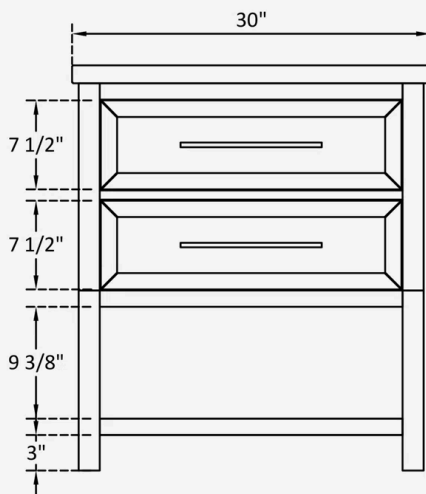
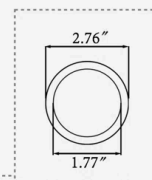
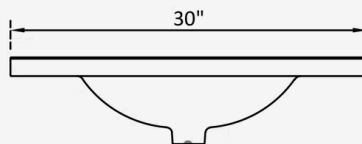
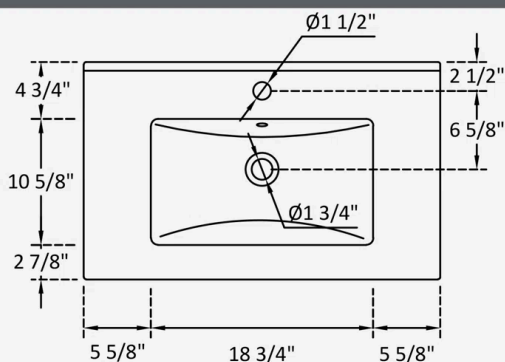
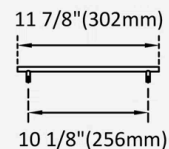


# PRODUCT DIMENSION



Handle:  
 Overall length: 11 7/8" (302mm)  
 Center to center: 10 1/8" (256mm)



- \* All dimensions are subject to a  $\pm 5$  mm tolerance.
- \* Fits all standard 1 1/4" or 1 1/2" drain assemblies.

