

General Guidelines

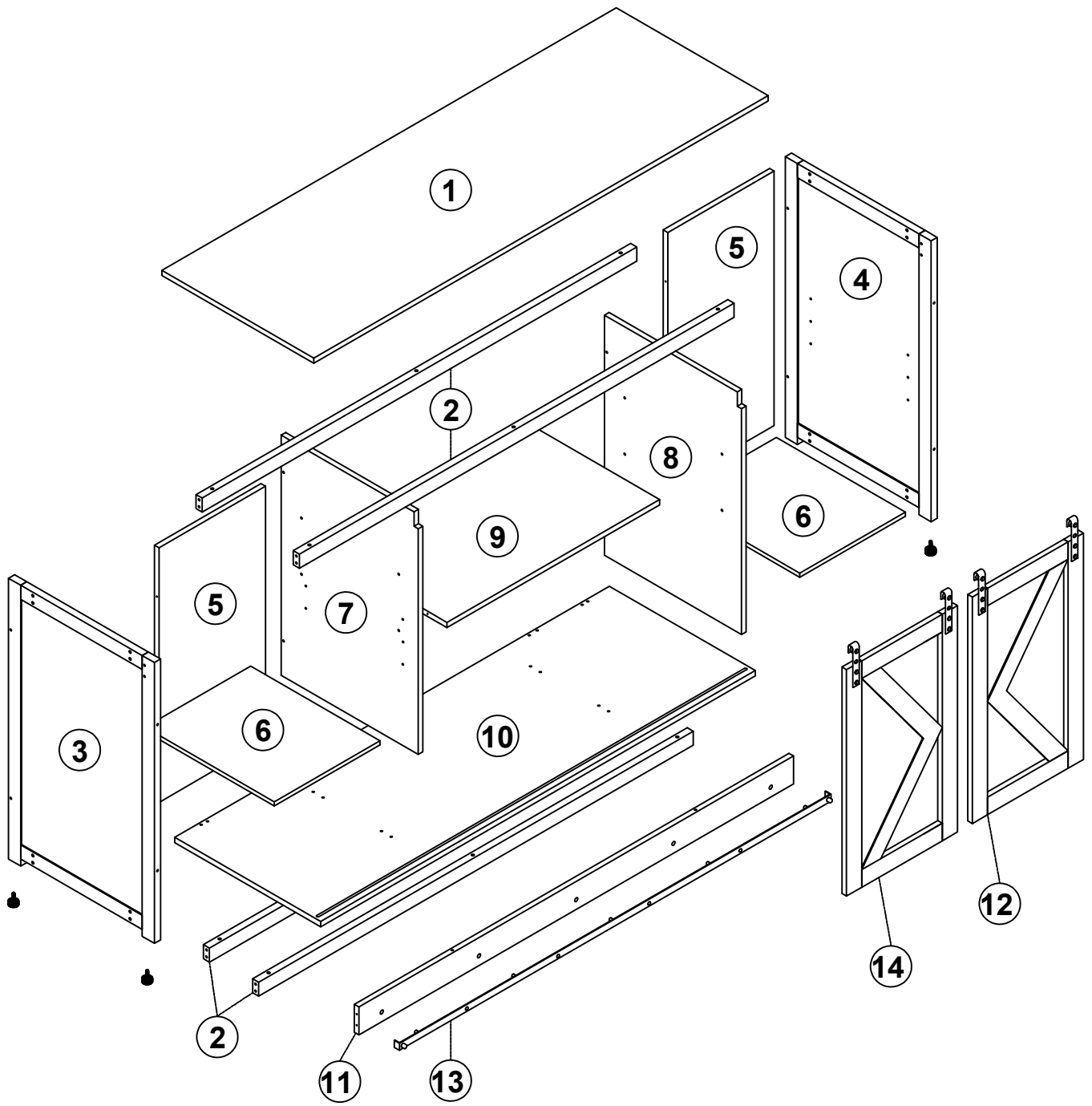
- Please read the following instruction carefully and use the product accordingly.
- Please keep this manual and hand it over when you transfer the product.
- This summary may not include every detail of all variations and considered steps. Please contact us when further information and help are needed.

Notes

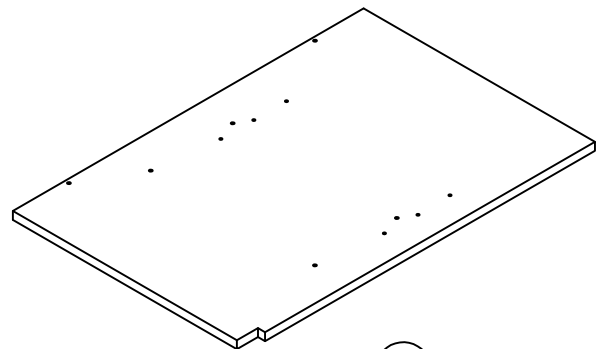
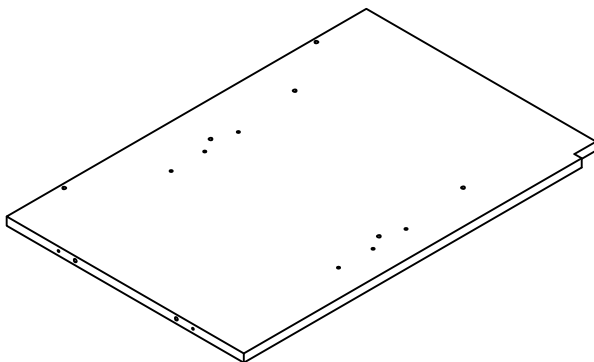
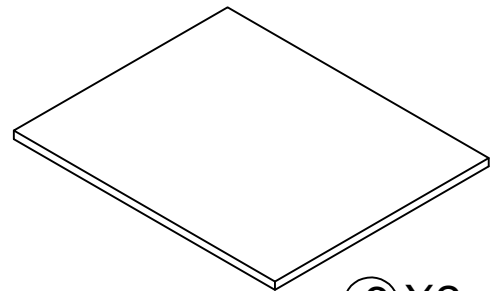
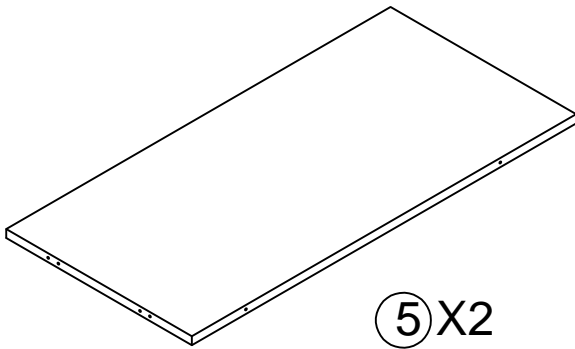
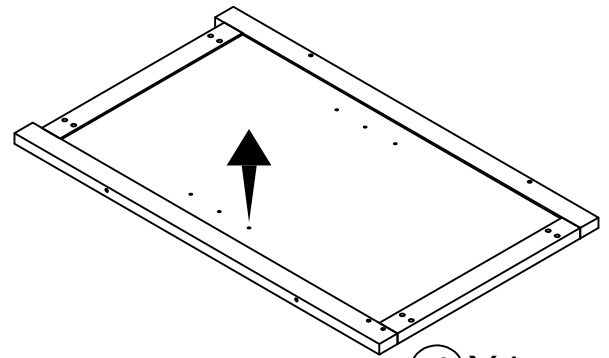
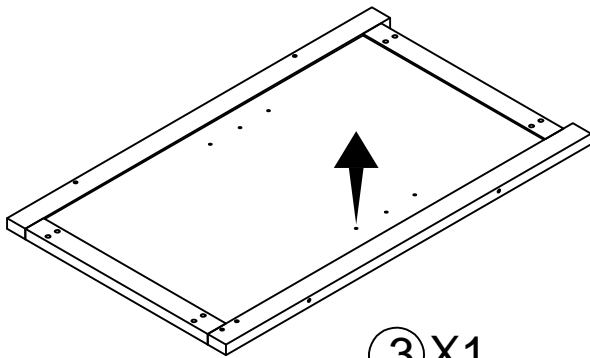
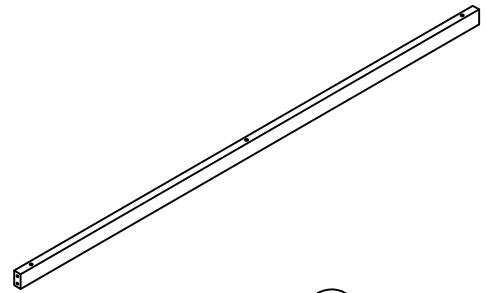
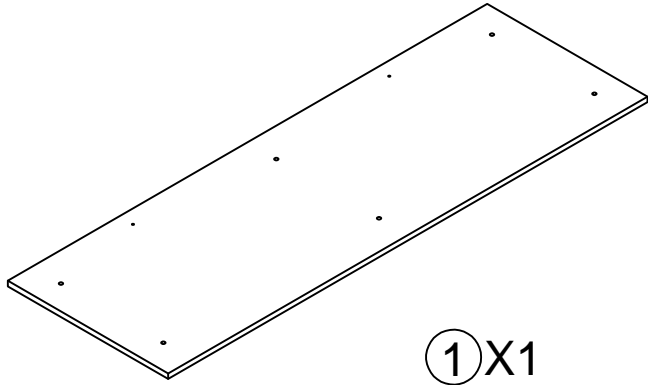
- The product is intended for indoor use only. The product must be assembled and used in accordance with the provisions of the manual. Personal injury and/or damage to product may occur if products are used outside of their intended purposes and/or if products have been changed/modified from their original design. The seller does not assume any responsibility or liability with respect to any injury/damage caused by incorrect assembly or improper use.
- Avoid long-term exposure to humid environments to prevent mildew.
- Keep the product away from fire sources and high temperatures. Do not expose the product to direct sunlight.
- Do not place any hot objects on the surface of the product.
- If there are any defective or missing parts after unpacking, please cease assembly immediately and contact us.
- Please assemble the item on a spacious surface and do not place the unwrapped product directly on the ground to avoid product damage.
- Please do not stand or sit on the wooden boards.
- Please wear gloves during the assembly and/or disassembly process to avoid scratches from any sharp edges.
- Please match the corresponding part and fitting based on the part number in the manual.
- If the part does not match with the fitting, please check the piece as specified in this manual.
- During assembly, first loosely align all screws with the corresponding pre-drilled holes and then tighten the screws one by one.
- Periodically inspect screw tightness while the product is in use. If necessary, retighten to ensure structural integrity.
- If you accidentally spill water or another liquid on the surface, immediately wipe clean with a dry towel.
- Please keep the product away from sharp, pointed objects and corrosive substances to prevent product damage.
- Please place this item on level, solid ground during use.

Warnings

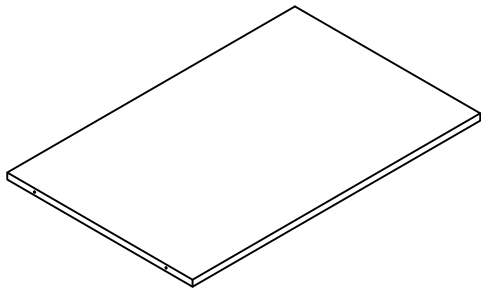
- During assembly, keep all small parts out of the reach of children. It may be fatal if swallowed or inhaled.
- Children should not climb or play on the product in order to avoid tipping over the furniture and causing serious injury.
- To avoid the potential dangers of suffocation, please keep all parts and packaging (film, plastic bags, foam, etc.) away from babies and children.
- Keep sharp objects and corrosive items away from the product to avoid any damage or injury.
- Do not shake or move violently during use to avoid tipping over the product.



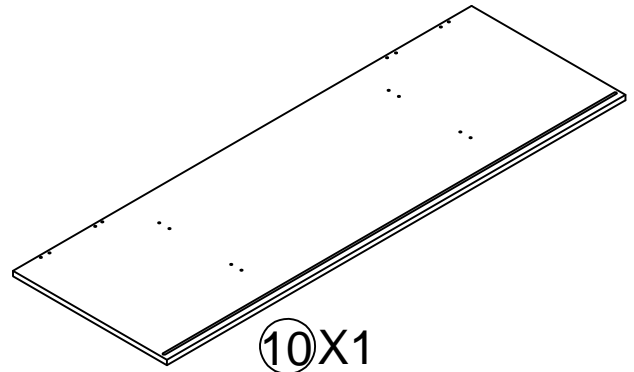
Part list



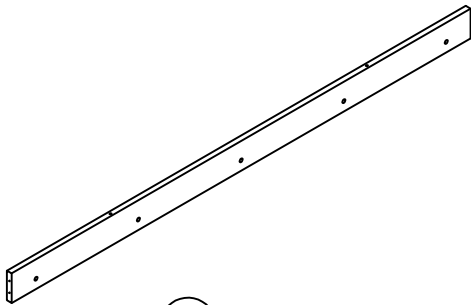
Part list



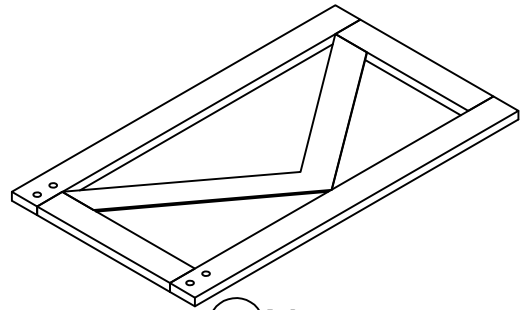
⑨X1



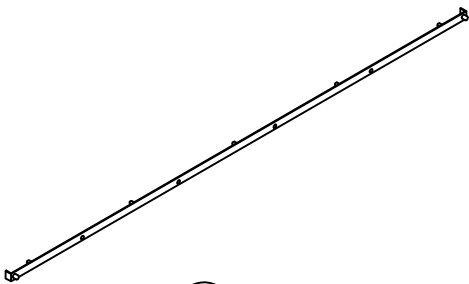
⑩X1



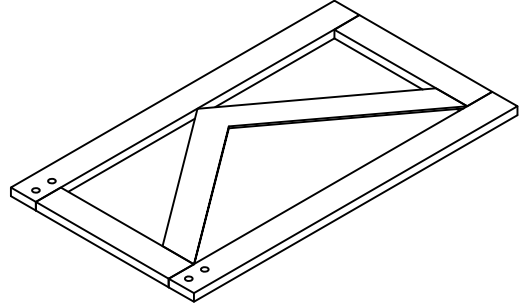
⑪X1



⑫X1

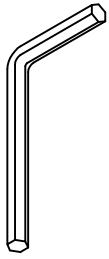


⑬X1



⑭X1

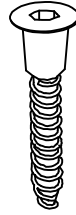
Hardware list



Ⓐ X1



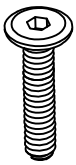
Ⓑ X1



Ⓒ X24

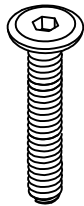


Ⓓ X8



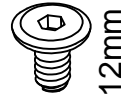
40mm

Ⓔ X16



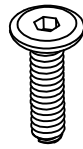
50mm

Ⓕ X12



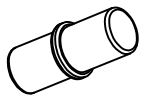
12mm

Ⓖ X8

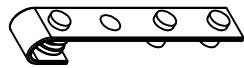


25mm

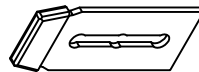
Ⓗ X5



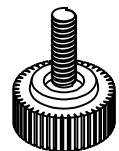
Ⓘ X8



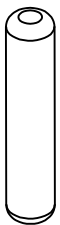
Ⓙ X4



Ⓚ X4

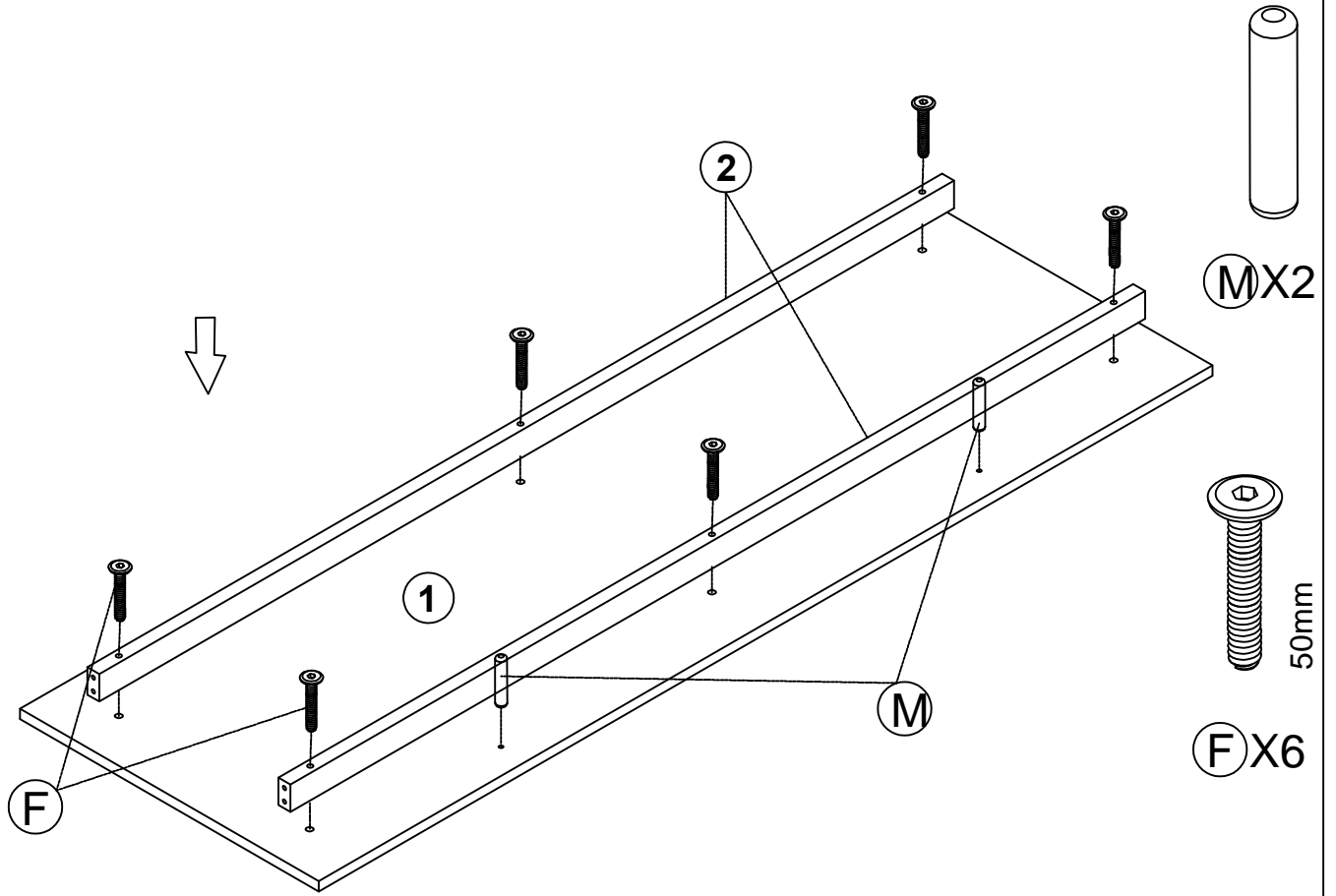


Ⓛ X4

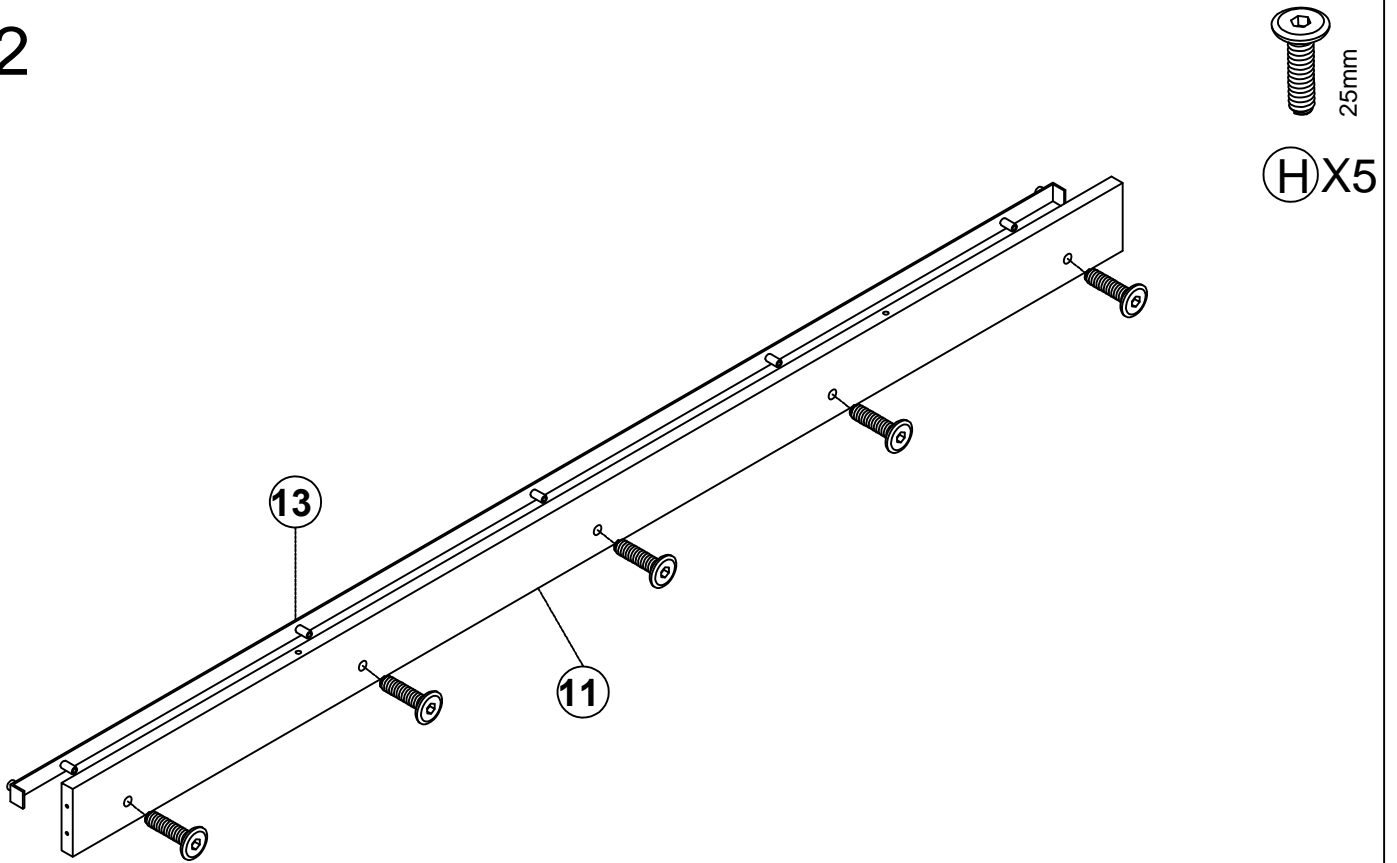


Ⓜ X10

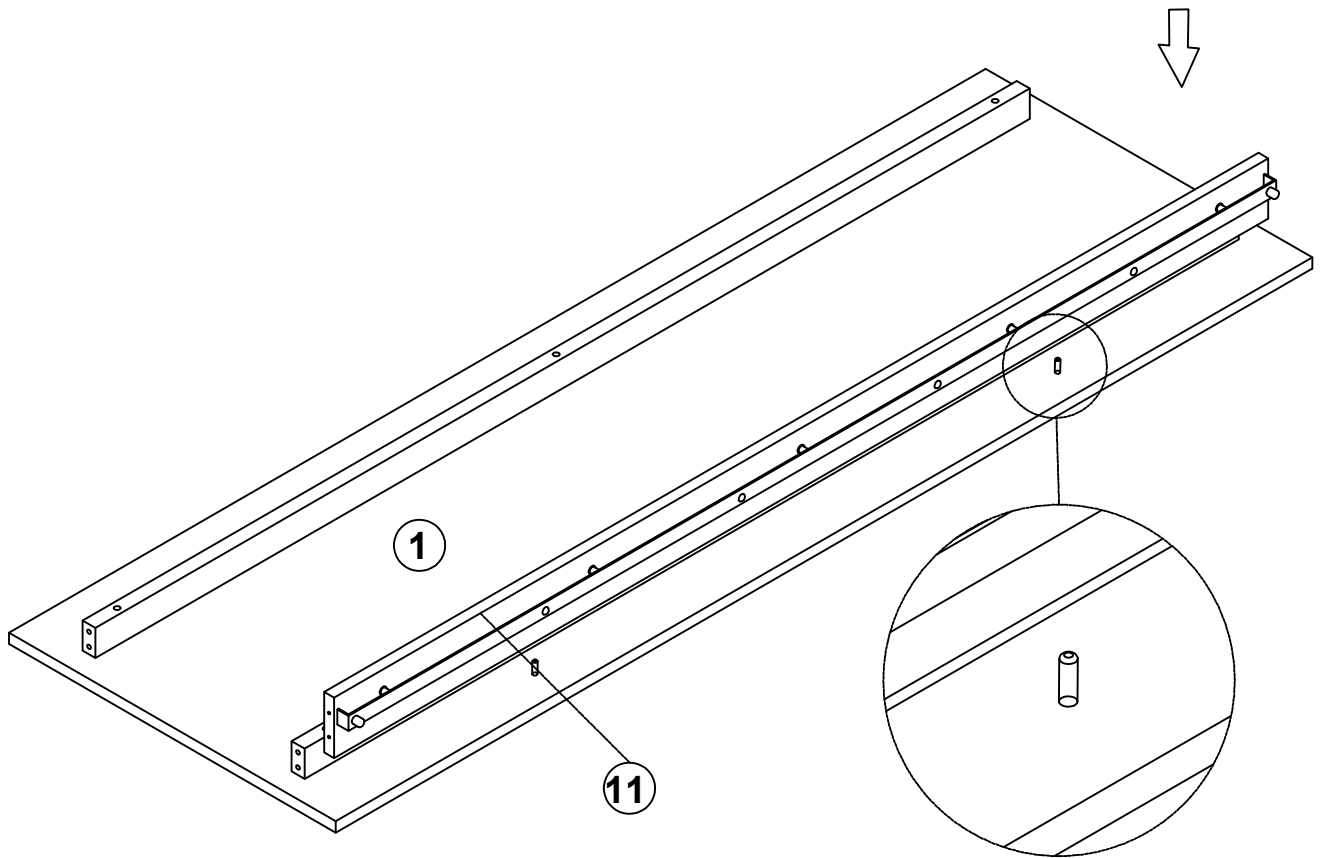
1



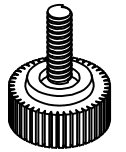
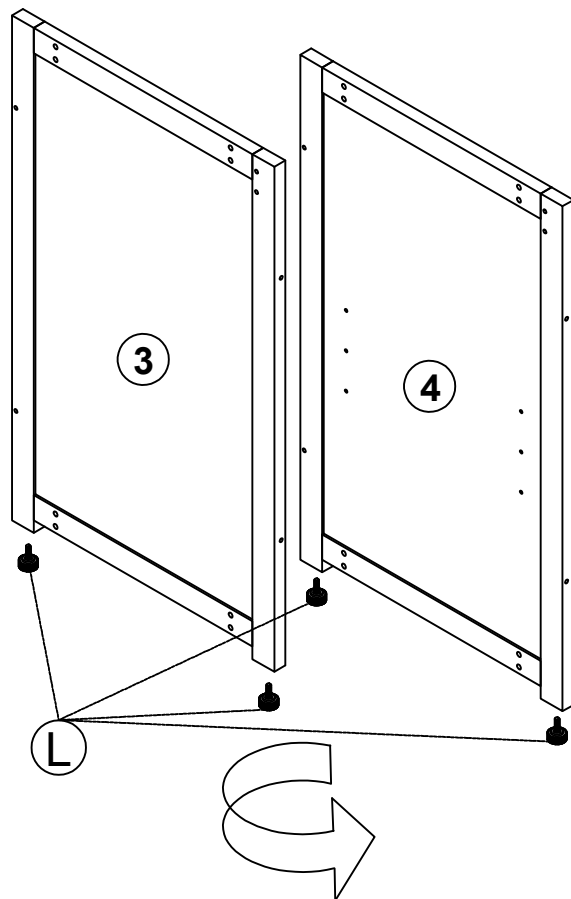
2



3

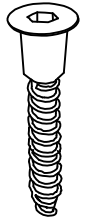
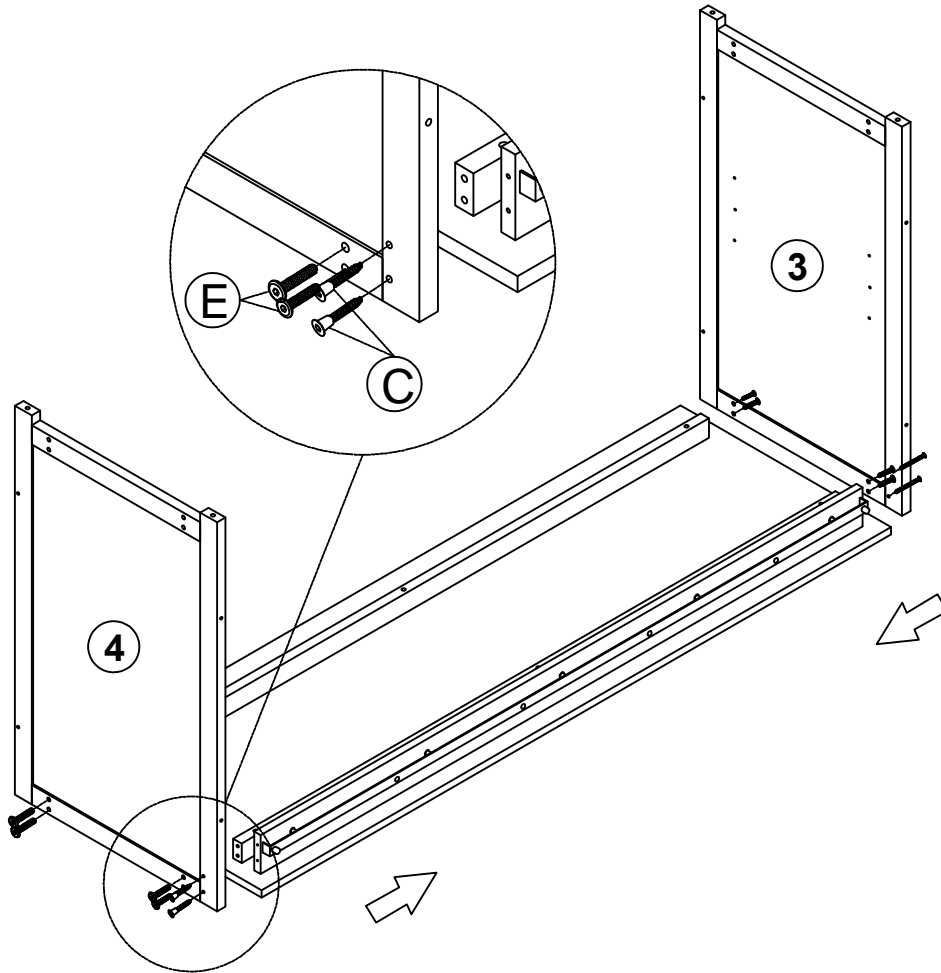


4

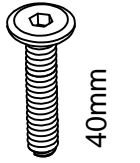


(L) X4

5



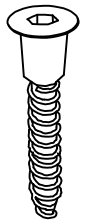
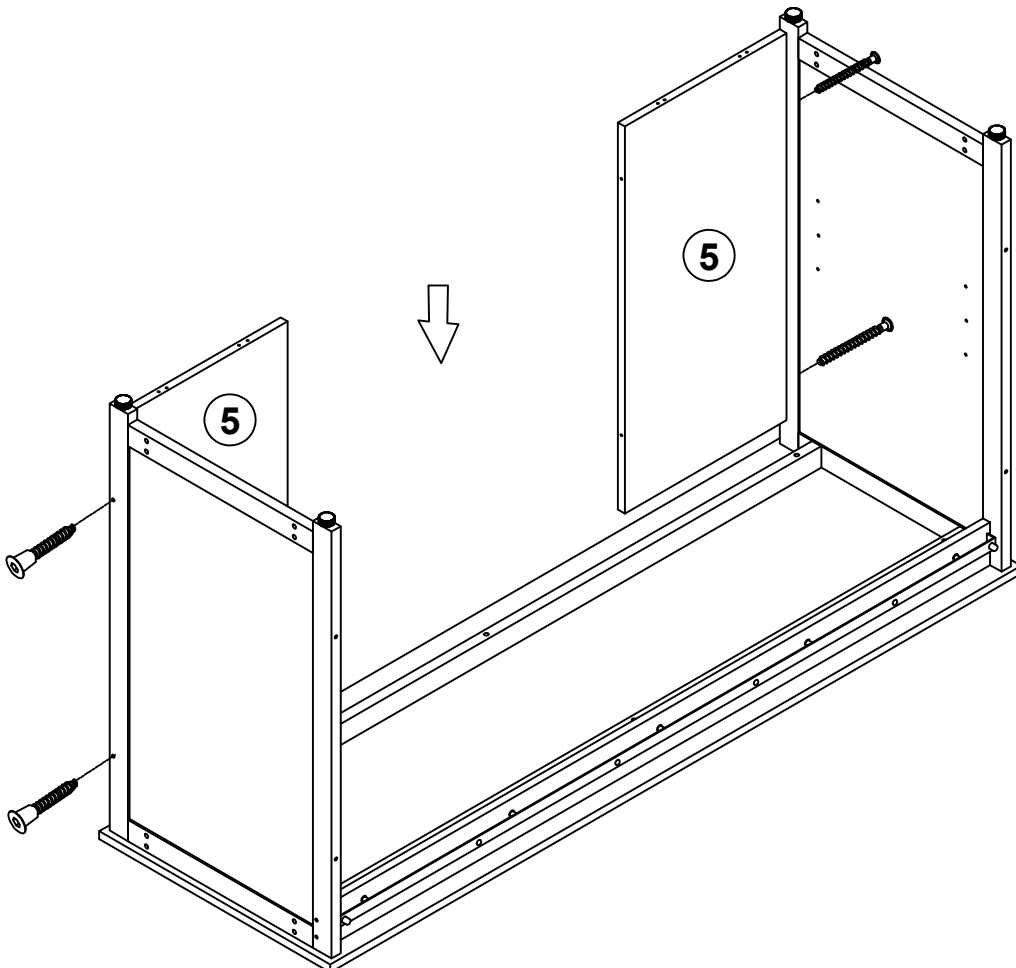
C X4



40mm

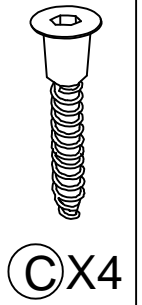
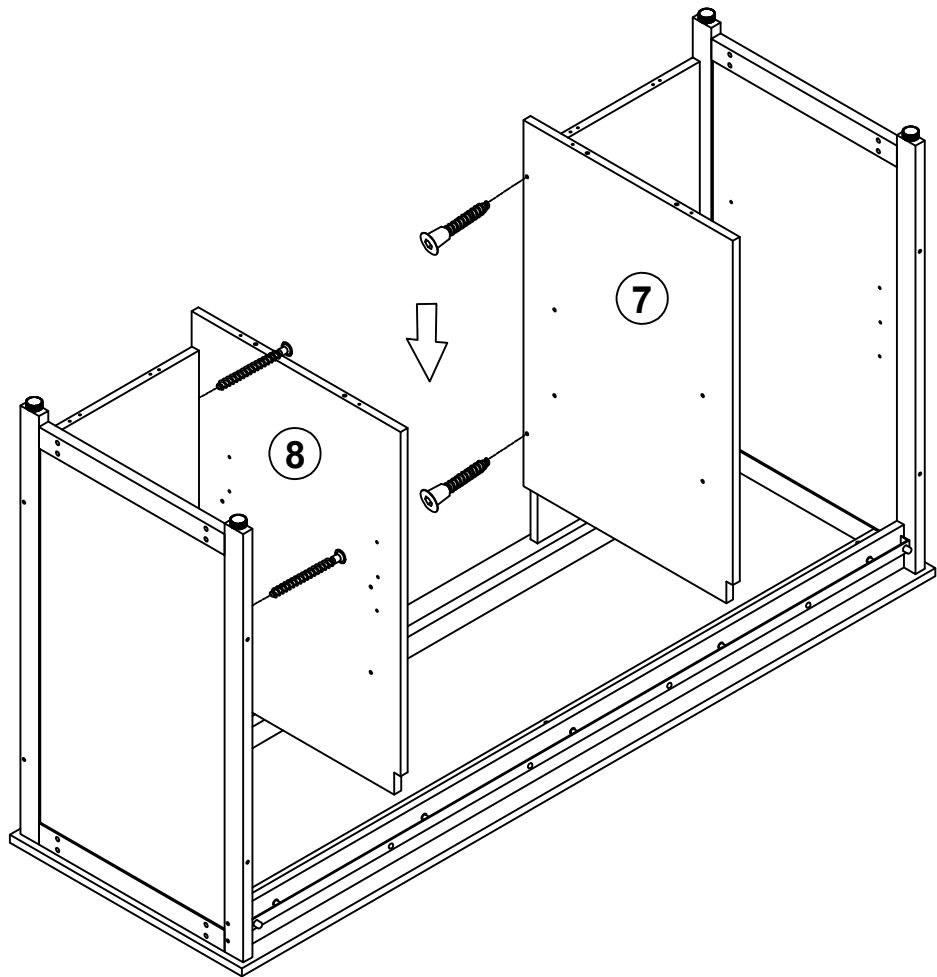
E X8

6



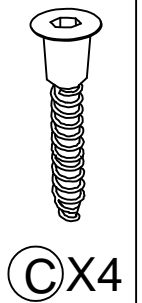
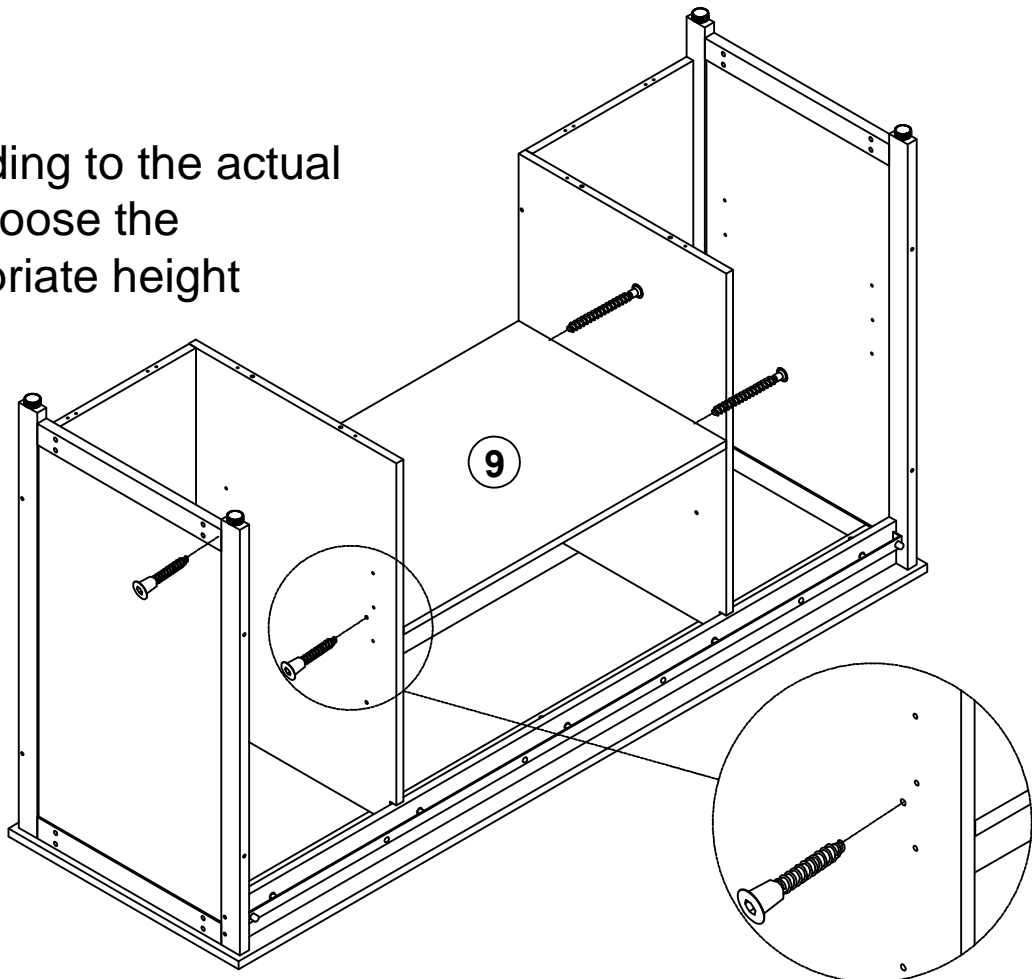
C X4

7



8

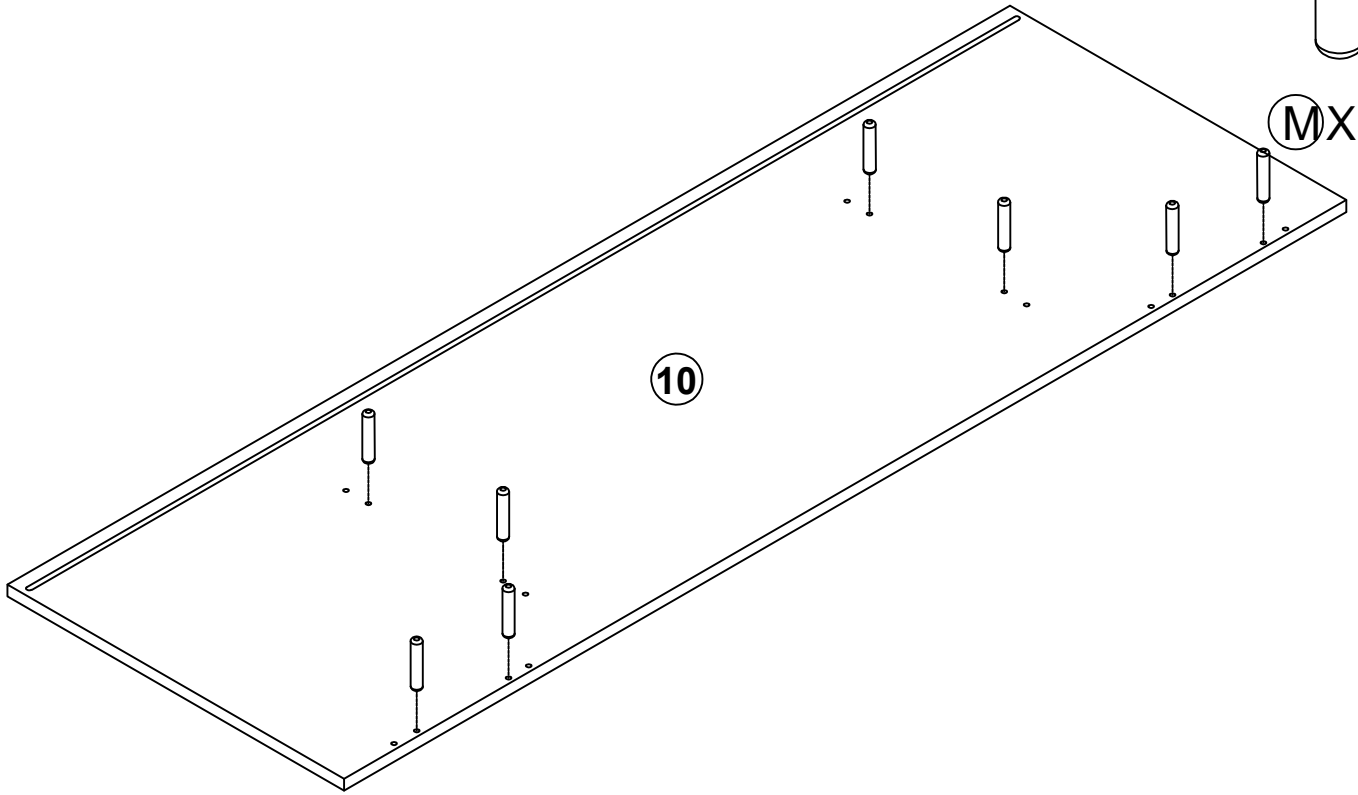
According to the actual
can choose the
appropriate height



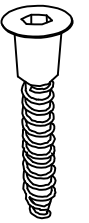
9



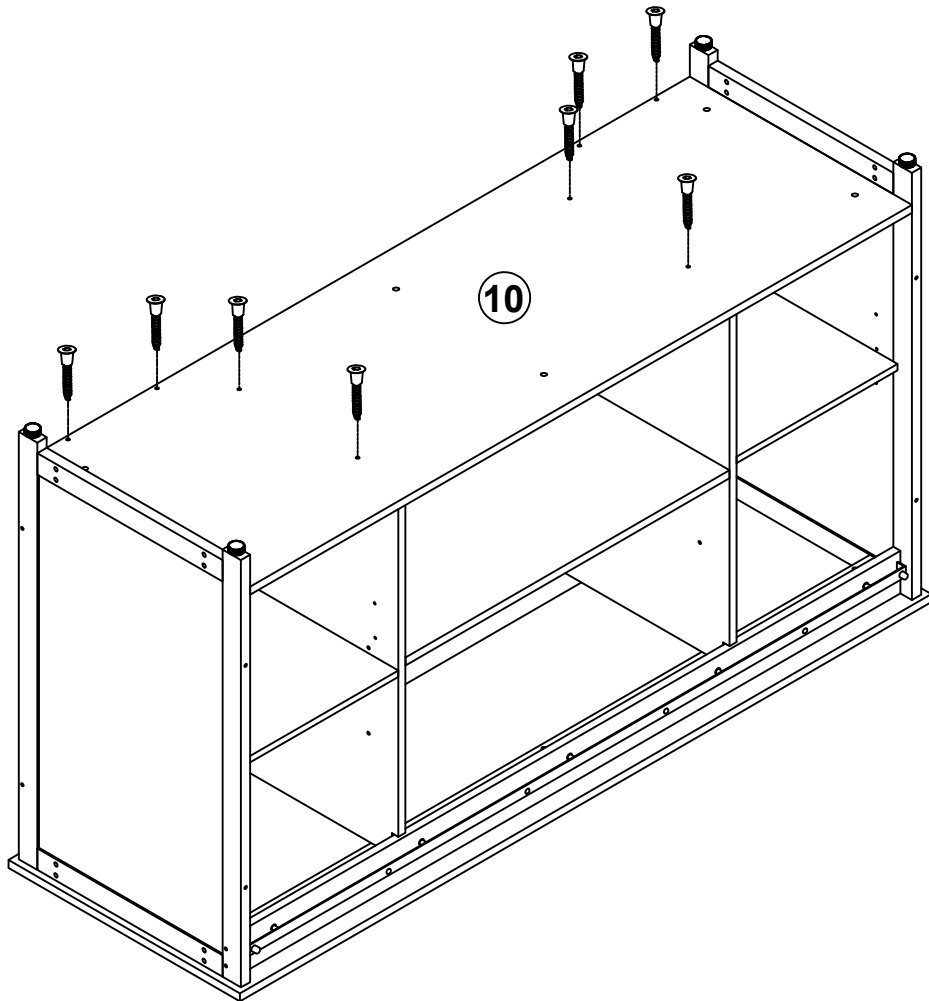
MX8



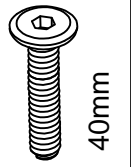
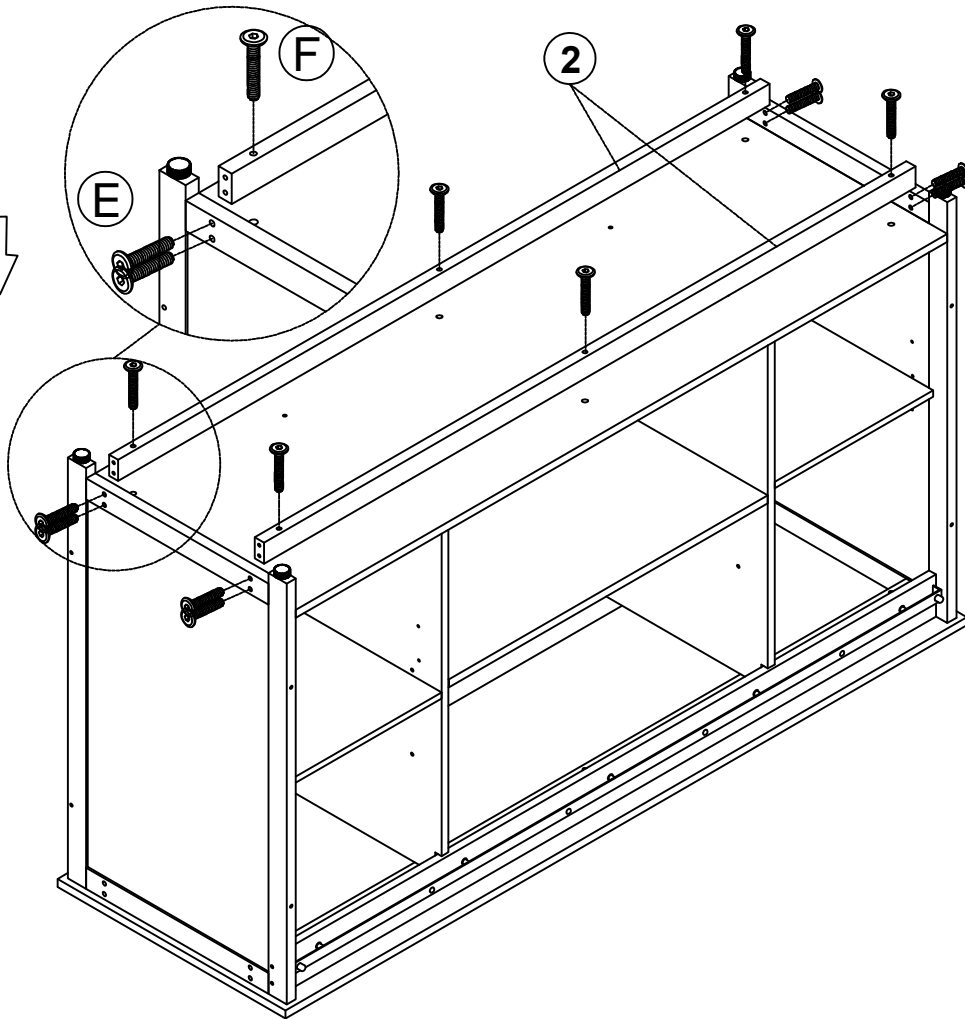
10



CX8

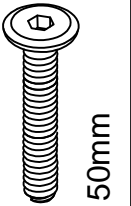


11



40mm

(E) X 8

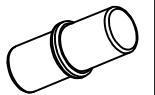
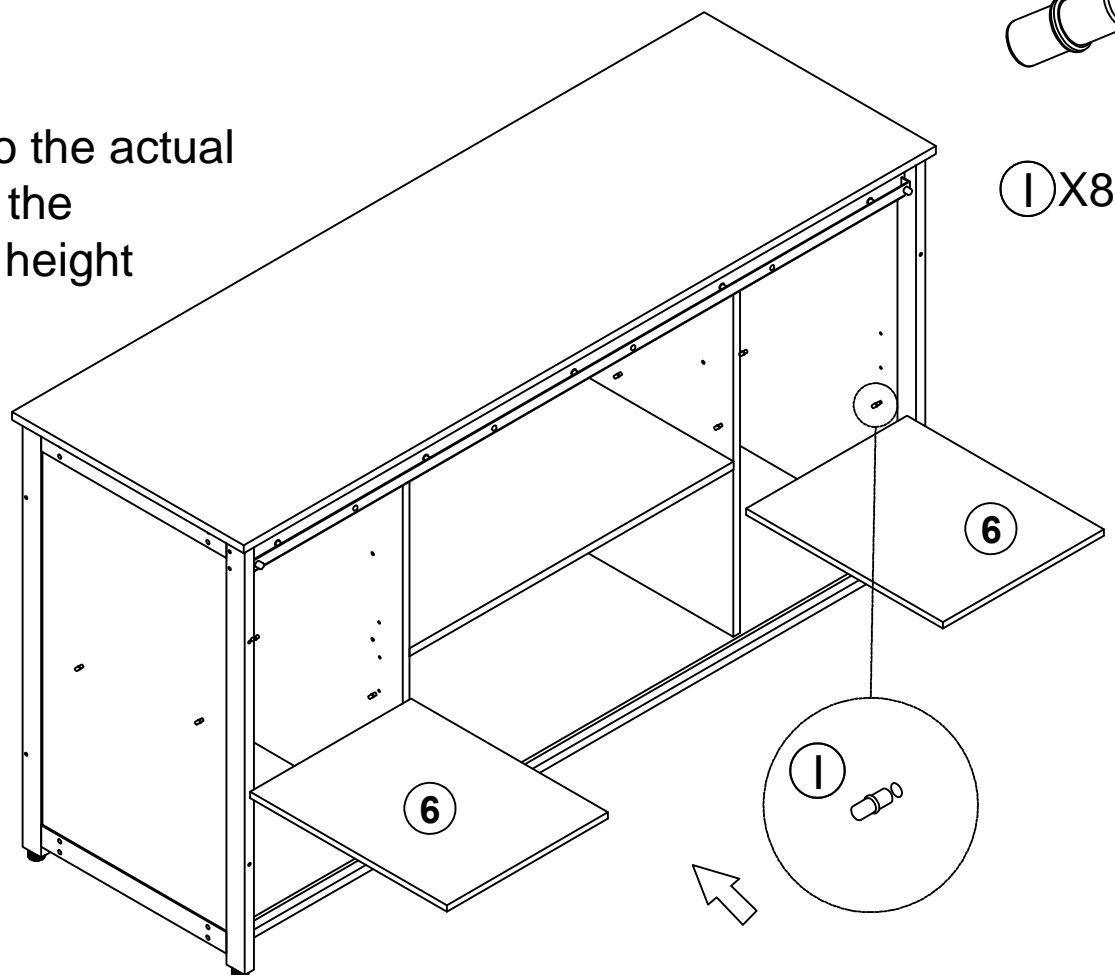


50mm

(F) X 6

12

According to the actual
can choose the
appropriate height

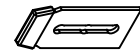
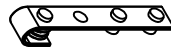


(I) X 8

6

I

13

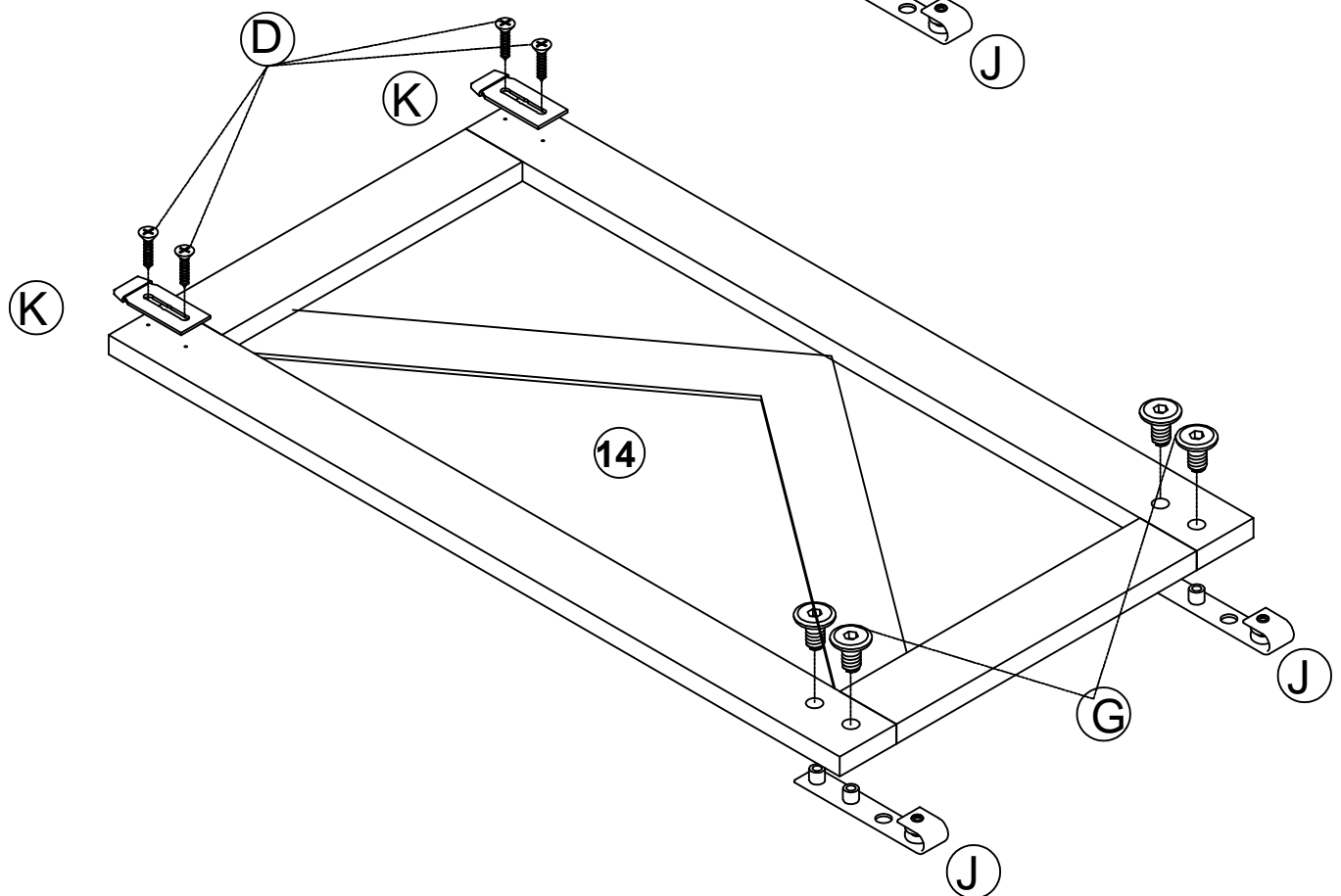
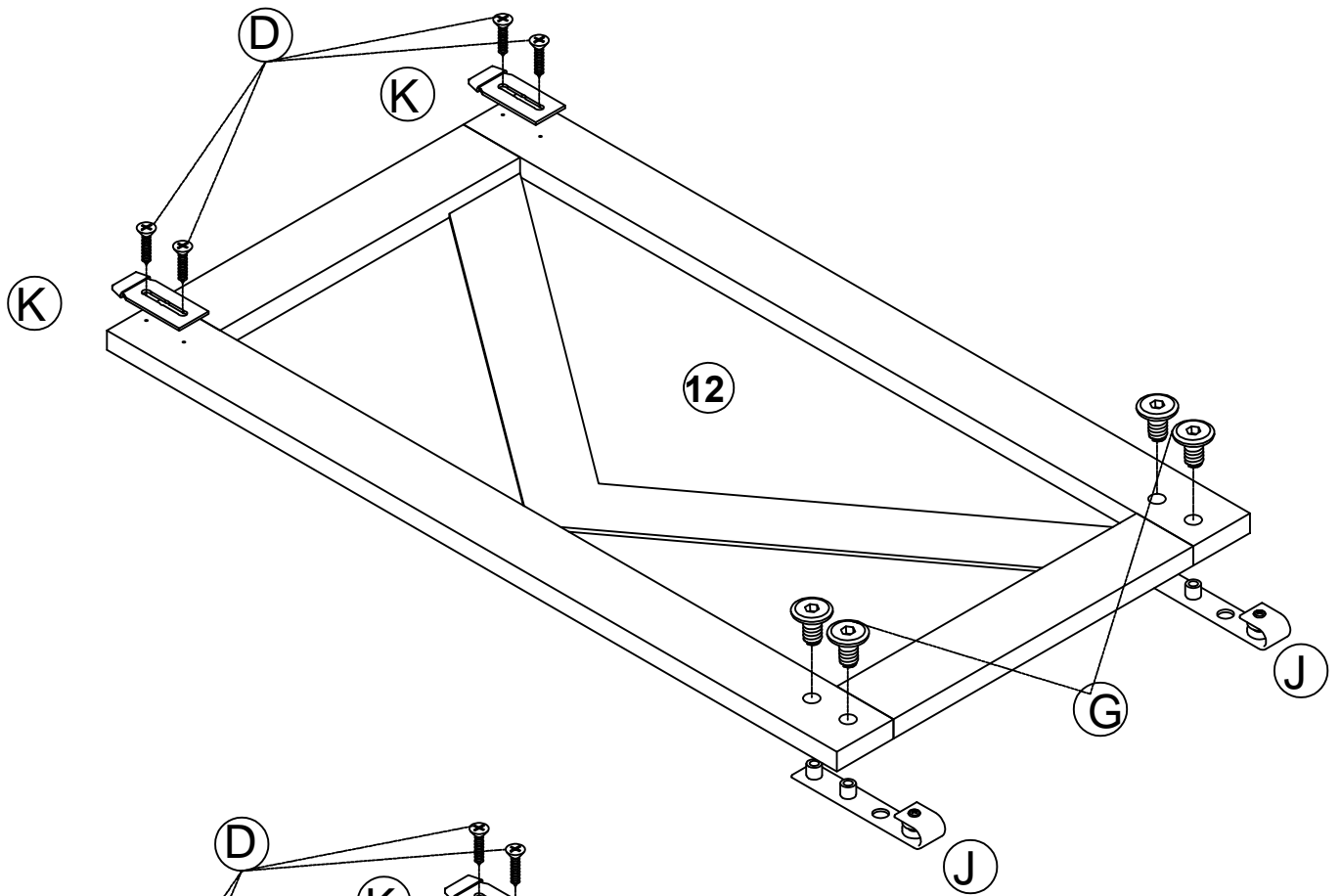


D X8

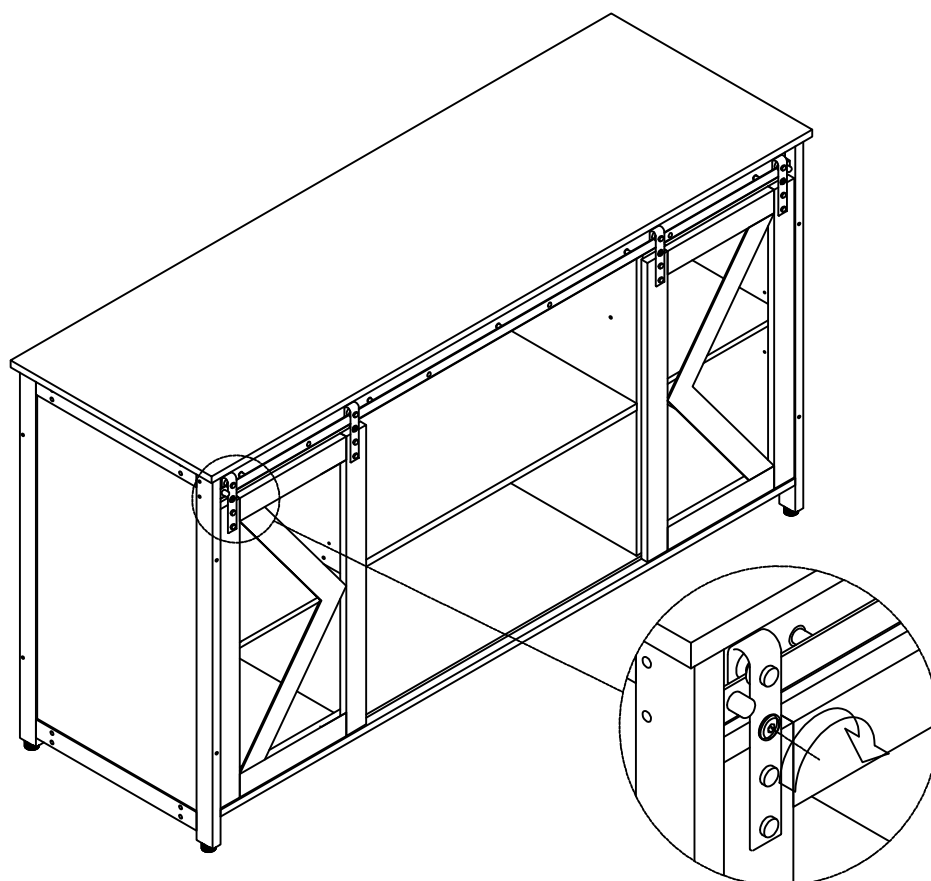
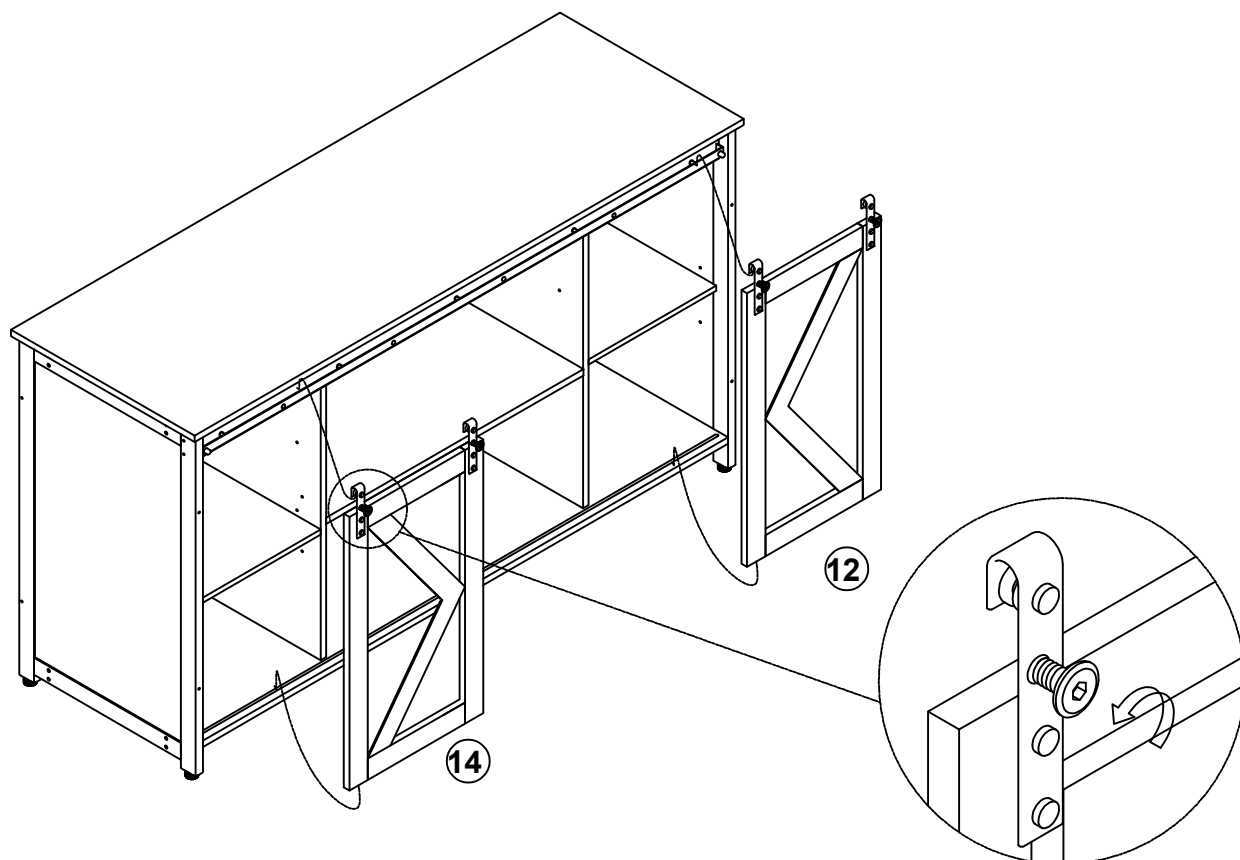
J X4

K X4

G X8



14



First, loosen the screws, put the lower iron piece into the lower groove, and simultaneously hang the upper hook on the guide rail, and lock the screws.