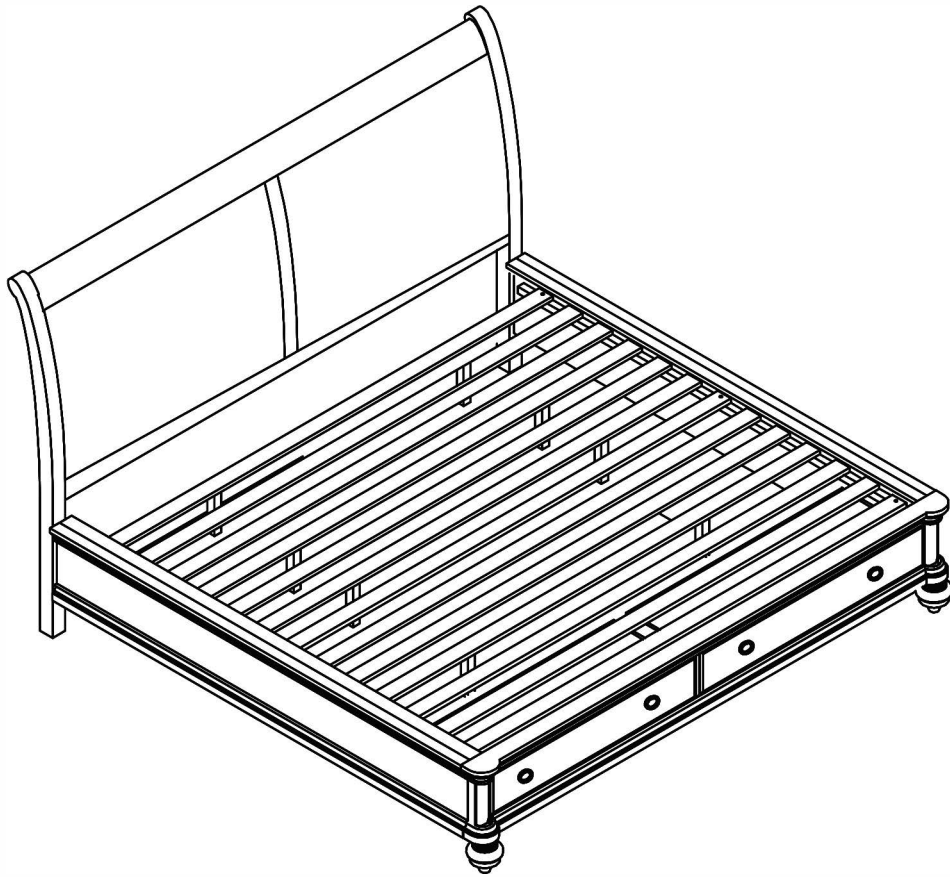


Assembly Instructions



ASSEMBLY RATING

The Assembly Rating is a 5-point system that shows the degree of effort needed in assembling a specific product (with 1 being easy and 5 being difficult). For some products, two persons are recommended.

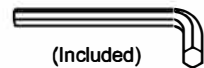
EASY



DIFFICULT

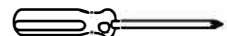
Tools Required For Assembly:

Allen Wrench



(Included)

Phillips Screwdriver



(Not Included)

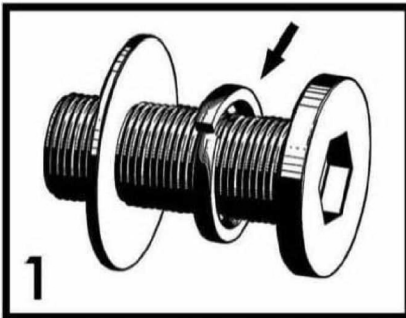


2 PERSONS RECOMMENDED

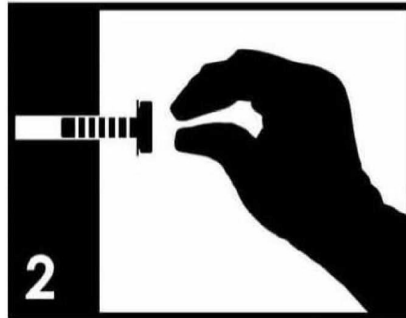
ASSEMBLY & CARE ADVICE

FOR YOUR FURNITURE TO LAST, CORRECT ASSEMBLY AND PROPER MAINTENANCE ARE NECESSARY. PLEASE FOLLOW THE INFORMATION PROVIDED BELOW TO FULLY ENJOY YOUR FURNITURE.

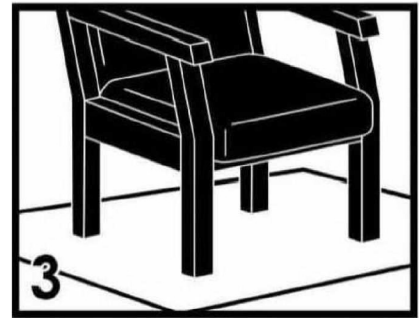
BASIC ASSEMBLY TECHNIQUES



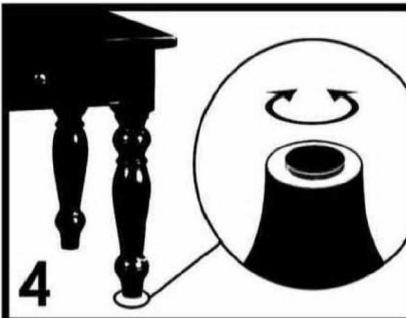
When lock or spring washer is used in an assembly, please make sure the lock or spring washer is placed between the larger flat washer and the head of the screw or bolt.



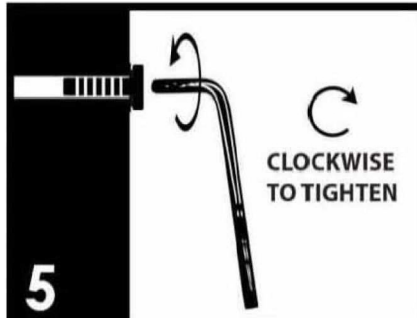
Position each part correctly and insert screws or bolts into their respective holes by hand tighten or using the proper hand tool. Only tighten when step is completed or when instructed to do so.



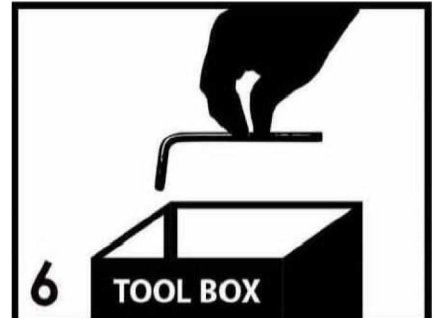
Use cardboard or carpet area when assembling furniture to prevent scratches. Make sure the furniture rests on a flat and level surface with each leg evenly touching the floor.



Some furniture comes with height adjustment knobs underneath each leg. To lower or to raise each leg, you need to turn clockwise or counterclockwise, respectively.



Make sure all parts are properly aligned, then use the appropriate hand tool to completely tighten the bolts or screws. Do not use power tools and do not overtighten.

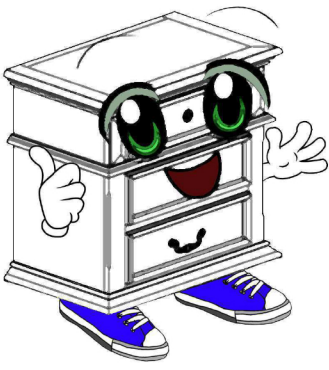


Save the instructions and store the Allen wrench or any supplied tool for later maintenance. After two weeks, check and tighten any loose hardware and repeat again every six months thereafter.

IT IS THE USER'S RESPONSIBILITY TO MAINTAIN THE FURNITURE. THE HARDWARE MAY LOOSEN OVER TIME AND MAY CAUSE THE FURNITURE TO BE WOBBLY AND UNABLE TO SUPPORT ITS INTENDED WEIGHT CAPACITY. THIS MAY LEAD TO COLLAPSE AND MAY CAUSE SERIOUS INJURY.



FAILURE TO FOLLOW THE GUIDELINES ABOVE MAY RESULT IN INJURY AND/OR PROPERTY DAMAGE.



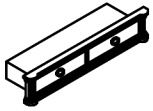
Before you begin, please read Page 2 of "Assembly and Care Advice".

And remember, do not tighten until each step is completed or instructed.

Parts List



#1 x 1pc
Headboard Panel



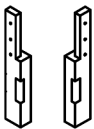
#2 x 1pc
Footboard



#3 x 2pcs
Bed Rail



#4 x 2pcs
Top bed rail



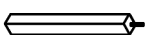
#5 x 2pcs
Headboard Leg (L & R)



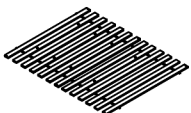
#6 x 1pc
Bottom Rail



#7 x 2pcs
Bun Foot

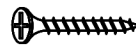


#8 x 3pcs
Support Legs 180x28x28mm

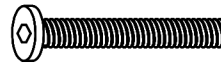


#9 x 13pcs
Bed Slat

Hardware List



#A x 6pcs
Screw #1-1/4"



#B x 8pcs
Bolt Ø5/16" X 2"



#C x 10pcs
Spring Washer Ø5/16"



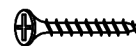
#D x 10pcs
Flat Washer Ø5/16"



#E x 1pc
Allen Wrench M4



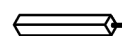
#F x 2pcs
Bolt Ø1/4" X 1-1/2"



#G x 22pcs
Screw #4 x 1-1/2"



#H x 8pcs
Wood Dowel Ø3/8"x1-3/16"



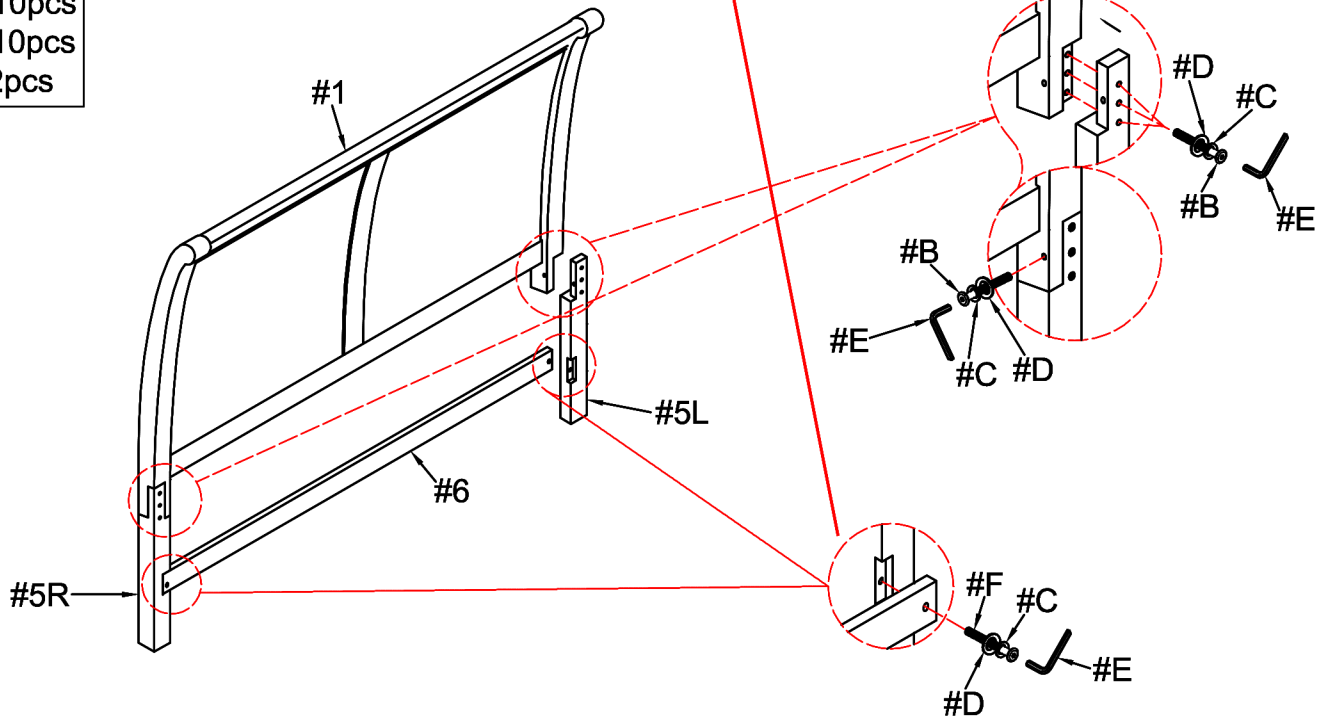
#10 x 8pcs Ø1/4
Support Leg 395x28x28mm



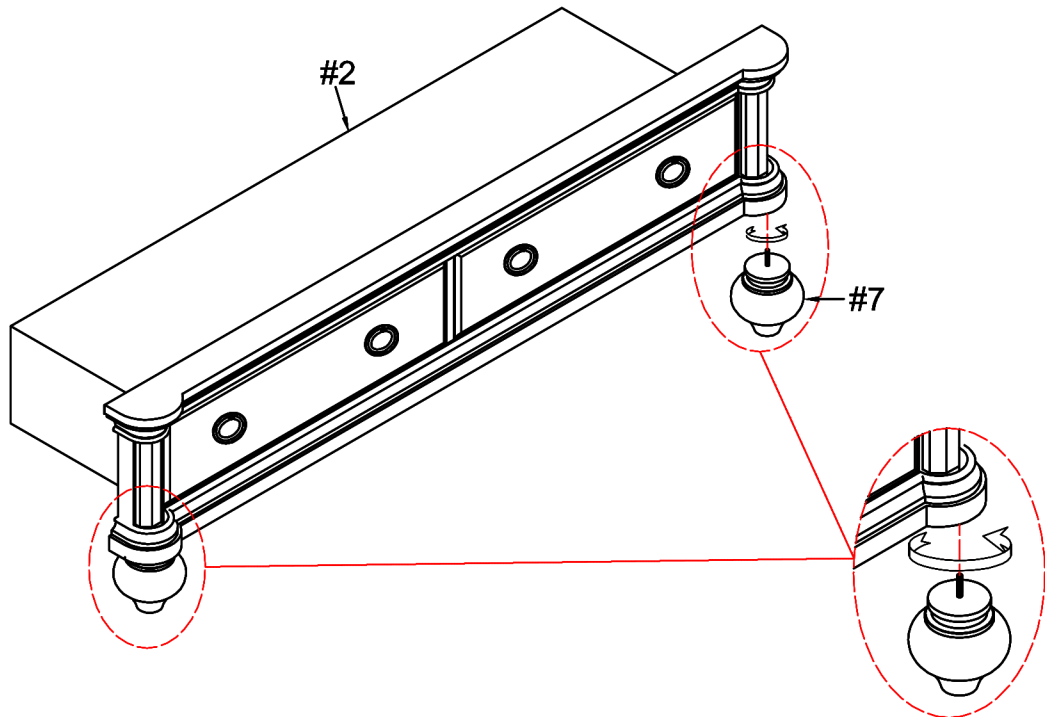
1) Prepare 8 bolts assembly by inserting lock washer (#C), then flat washer (#D) onto bolts (#B). Align the HD legs (#5) to the holes of the headboard (#1). Secure with bolts (#B).

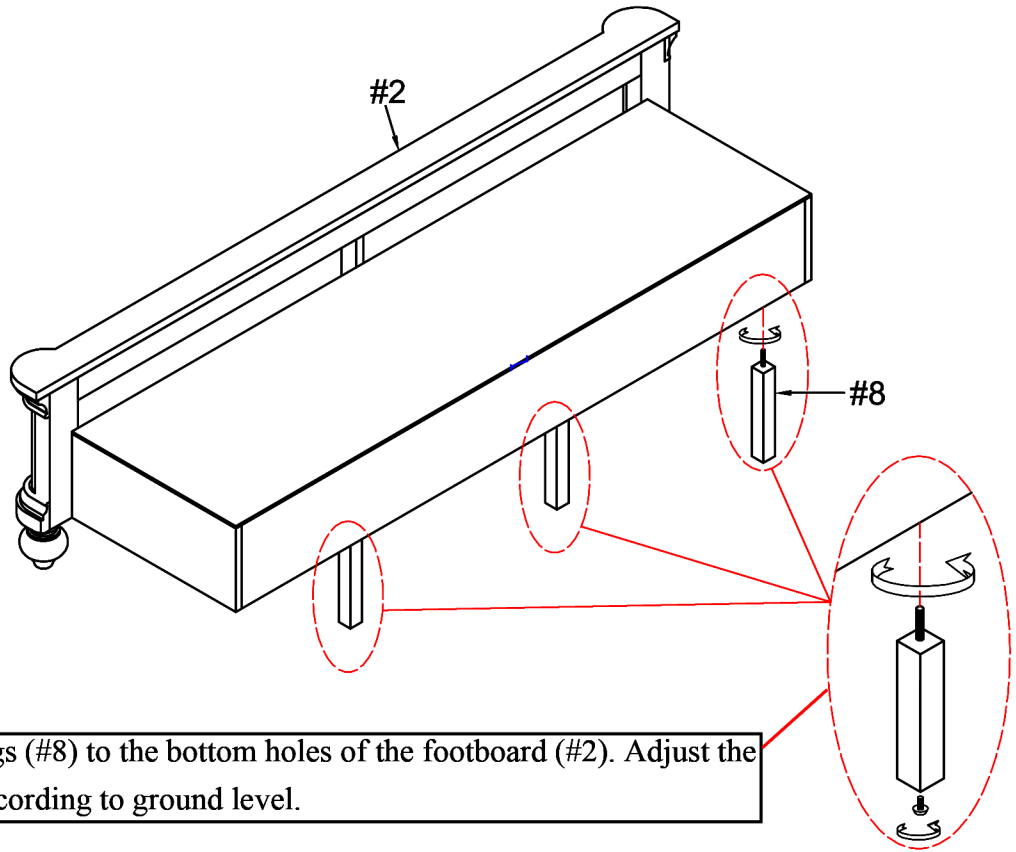
2) Prepare 2 bolts assembly by inserting lock washer (#C), then flat washer (#D) onto bolts (#F). Align bottom rail (#6) to the holes of the HB legs (#5). Secure with bolts (#F).

#B x 8pcs
#C x 10pcs
#D x 10pcs
#F x 2pcs



Attach bun foot (#7) to the holes of the footboard (#2).

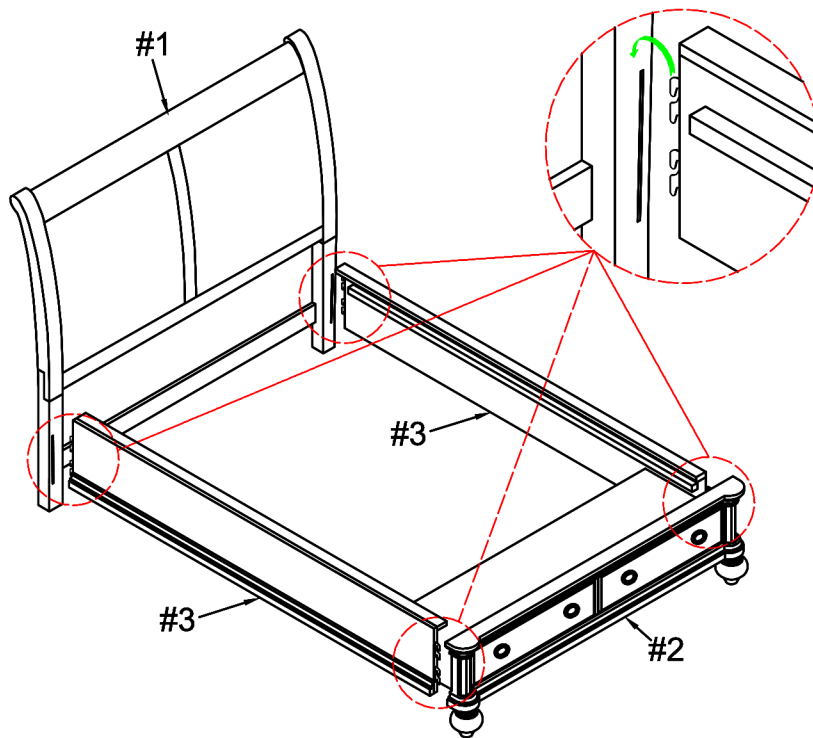




Attach support legs (#8) to the bottom holes of the footboard (#2). Adjust the adjustable foot according to ground level.

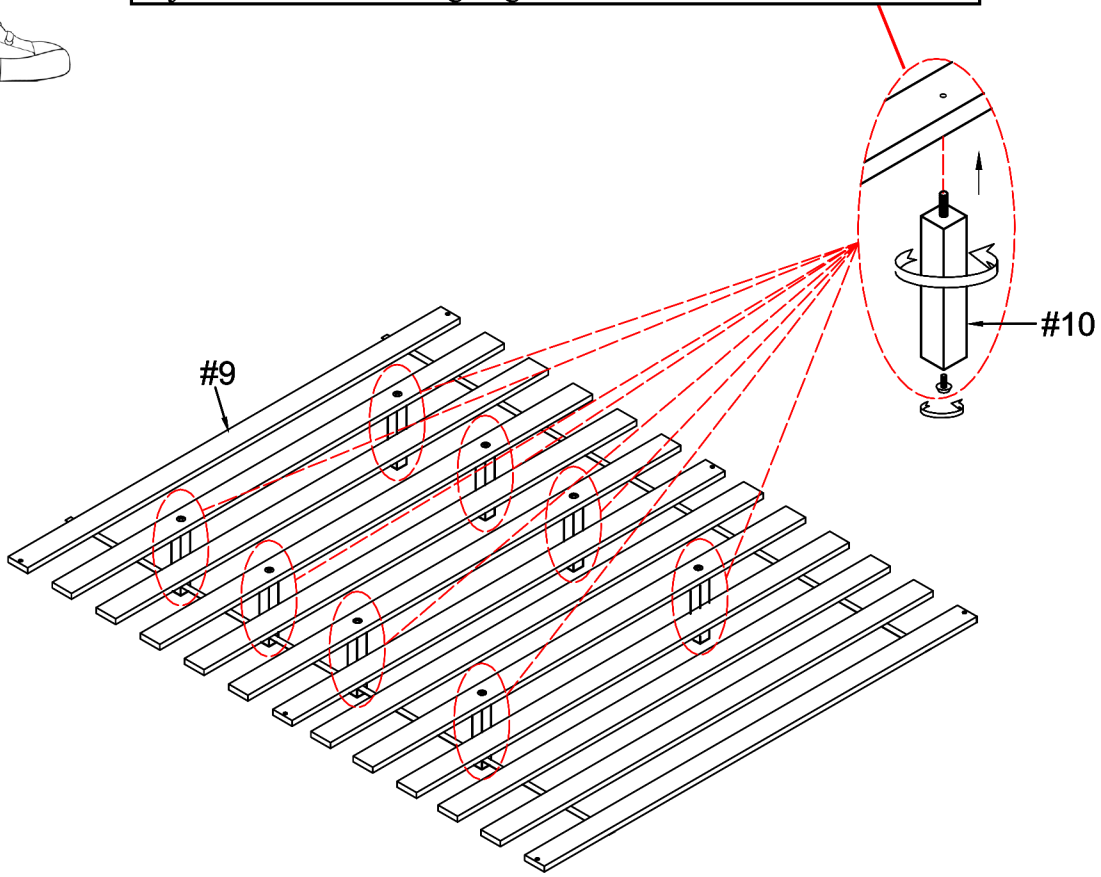


Hook bed rails (#3) to the latch of the footboard (#2) and headboard (#1). Make sure it is firmly hooked onto the latch.



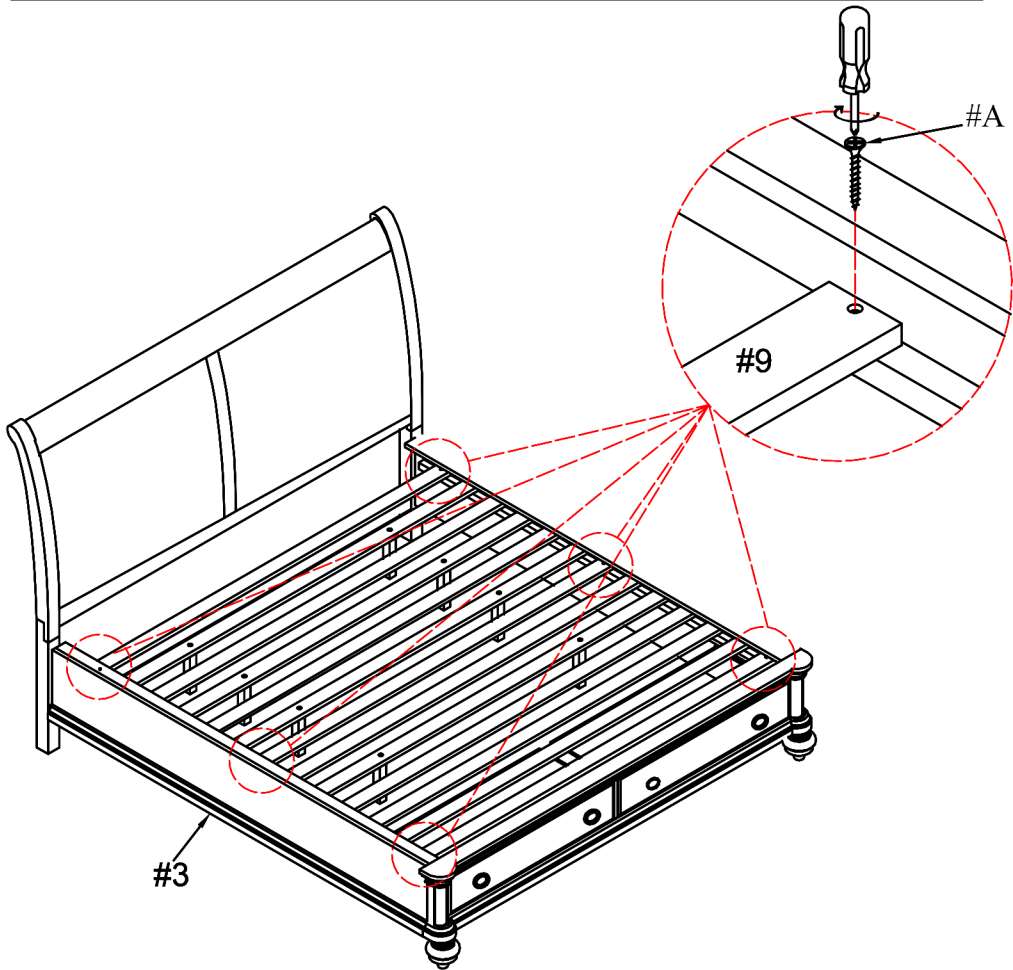


Attach support legs (#10) to the holes of the bed slat (#9). Adjust adjustable foot according to ground level.



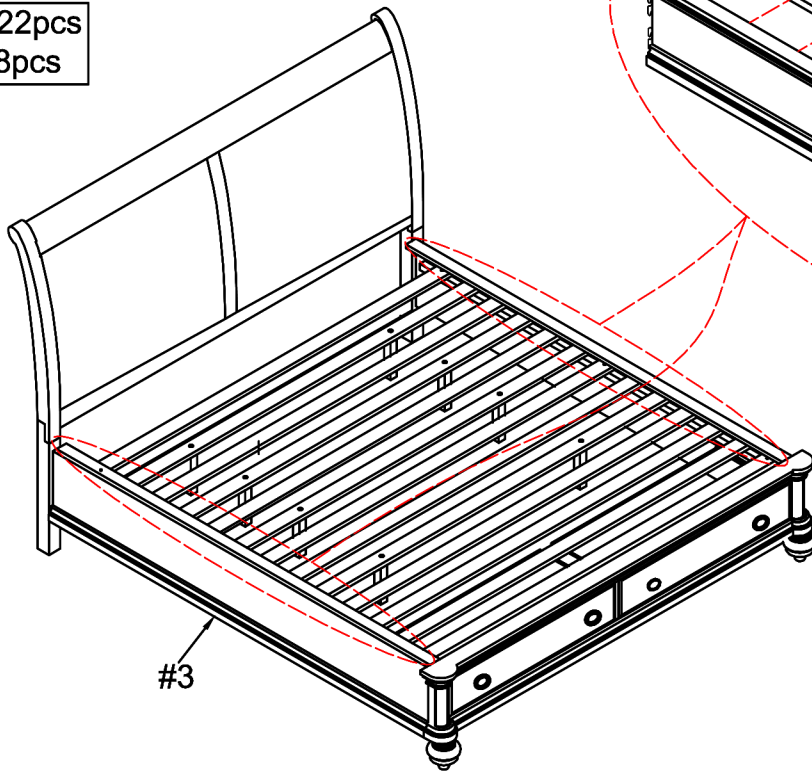
Align the bed slats (#9) to the side rails (#3), then secure with screws (#A).

#A x 6pcs

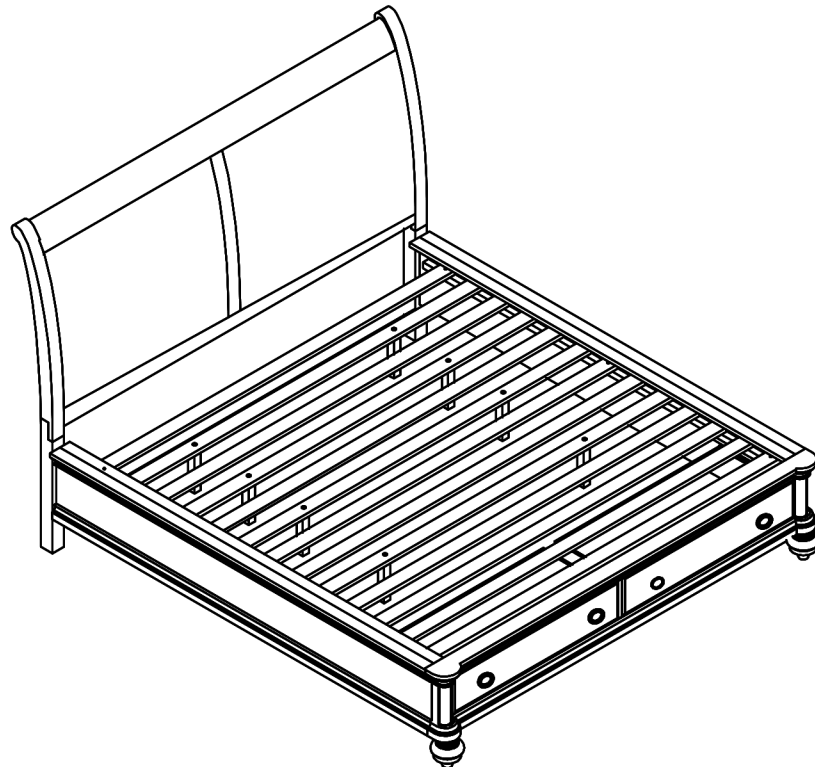




#G x 22pcs
#H x 8pcs



Insert wood dowels to the top holes of the top bed rail (#4). Align the wood dowels on the bed rail (#4) to the holes of the side rails (#3). Secure with screws (#G).



ASSEMBLY IS COMPLETED