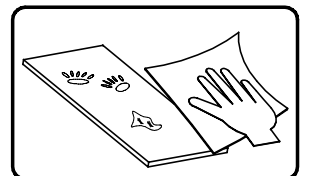
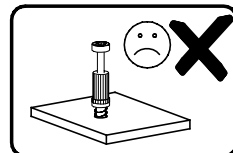
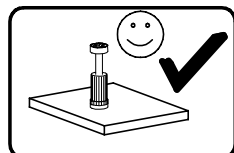
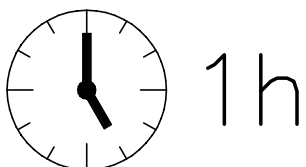
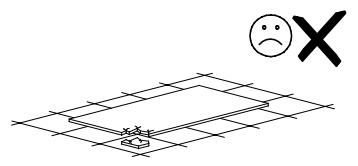
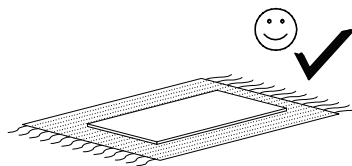
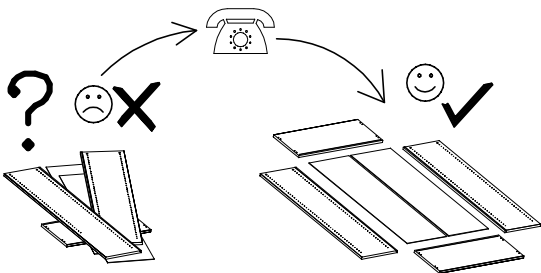
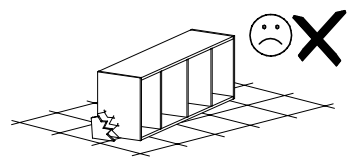
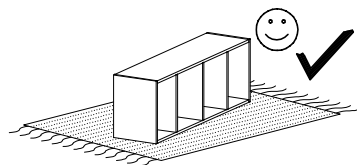
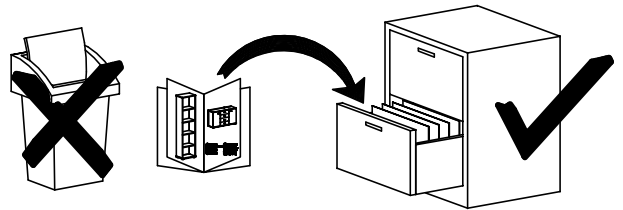
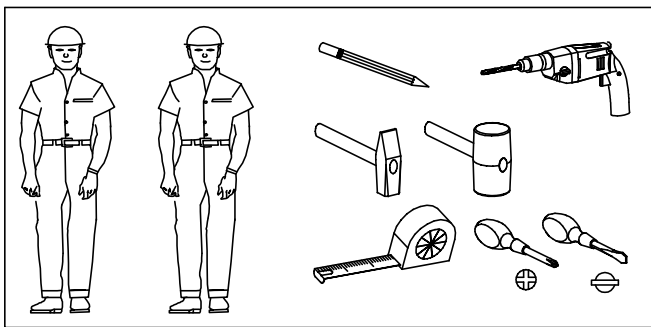
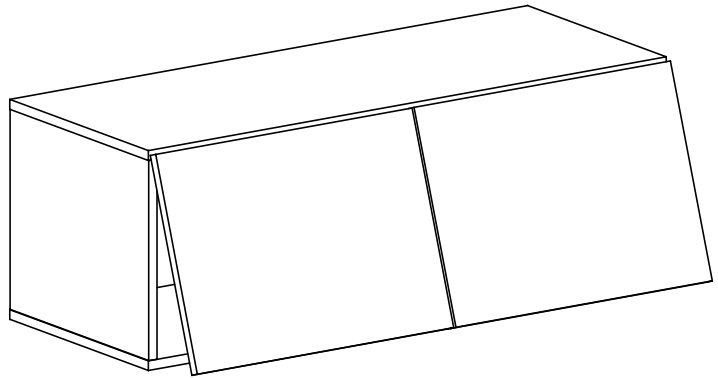
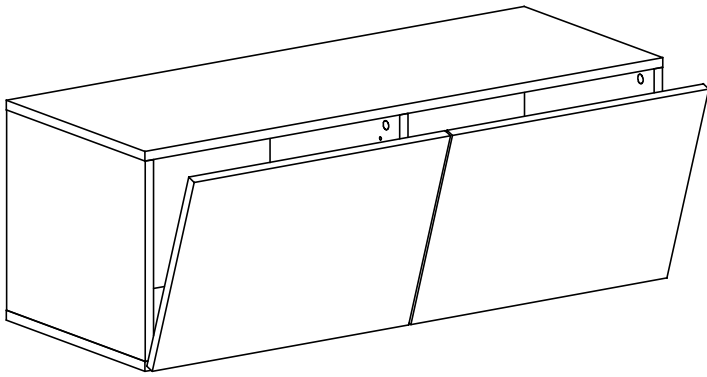
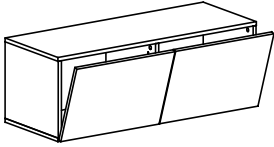
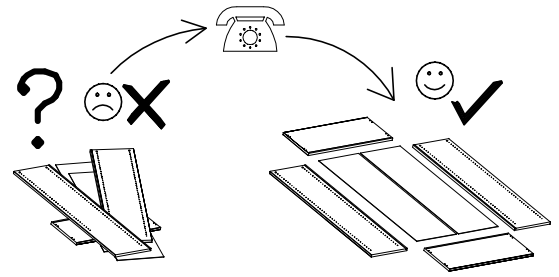
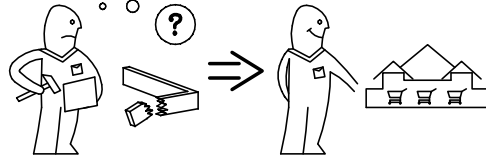
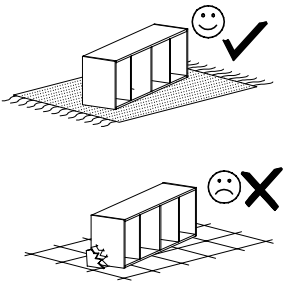
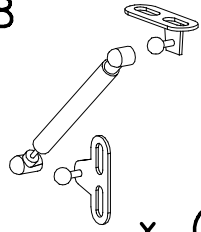


# Installation & Assembly

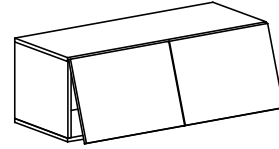




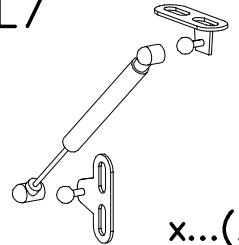
L8



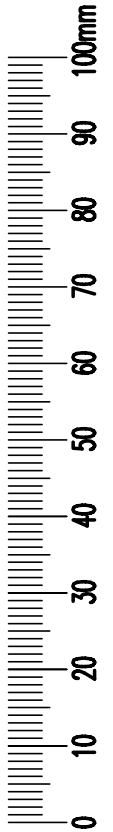
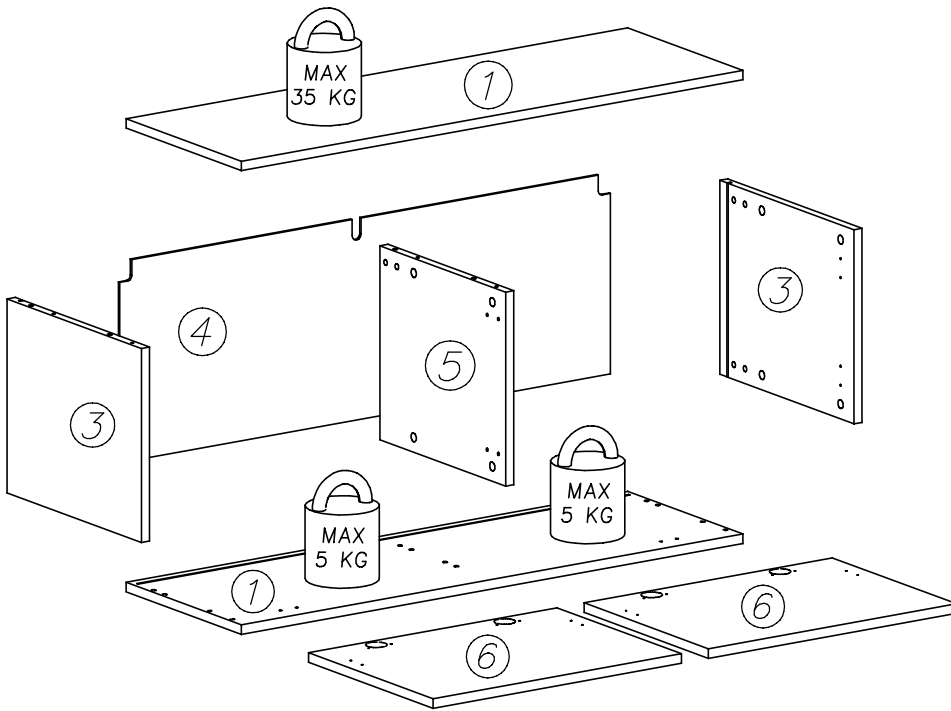
x...(2)



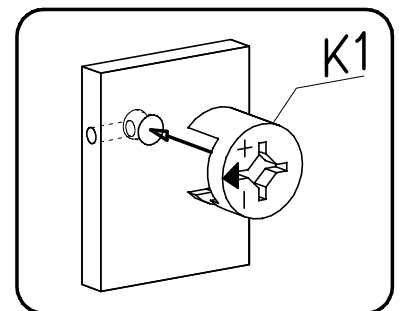
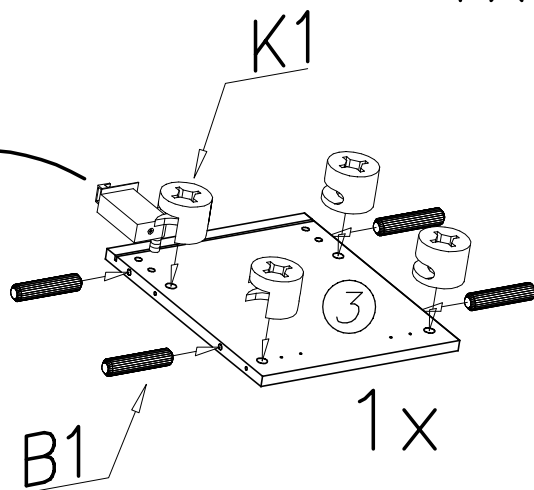
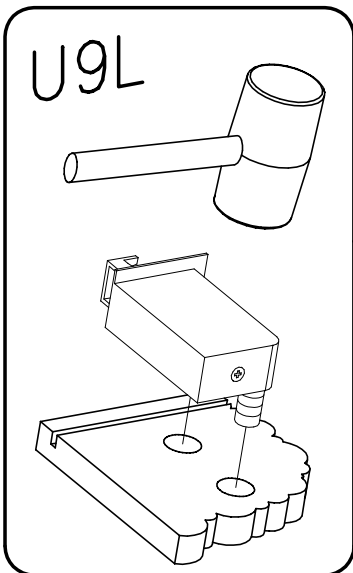
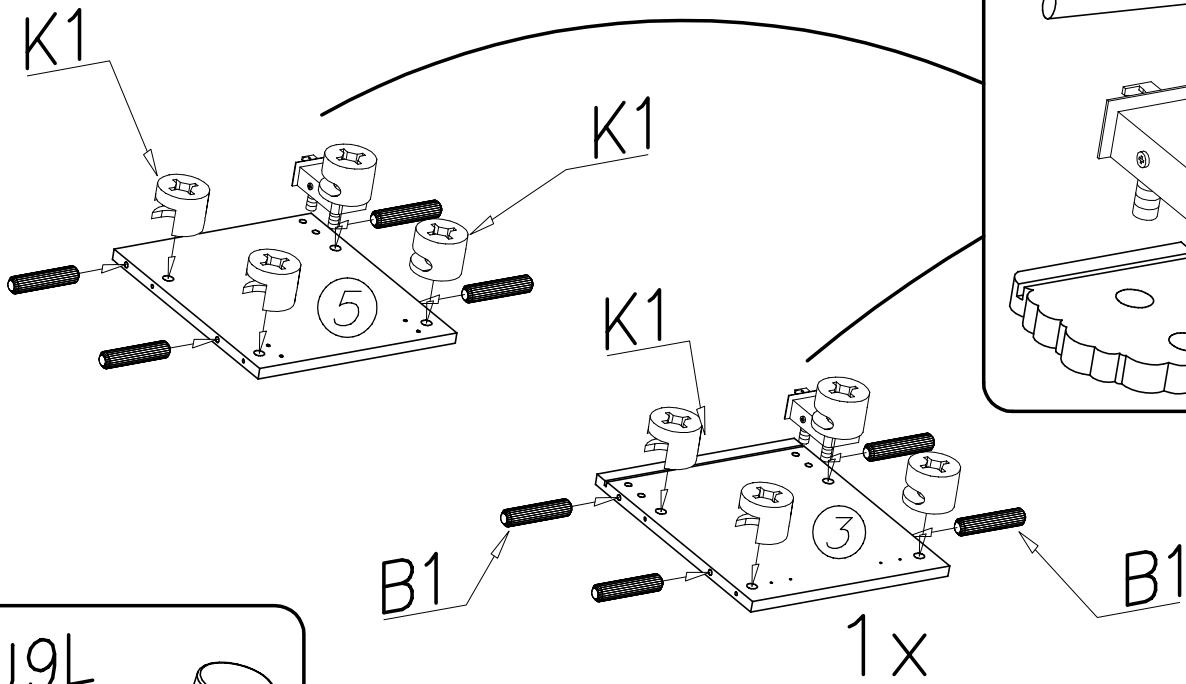
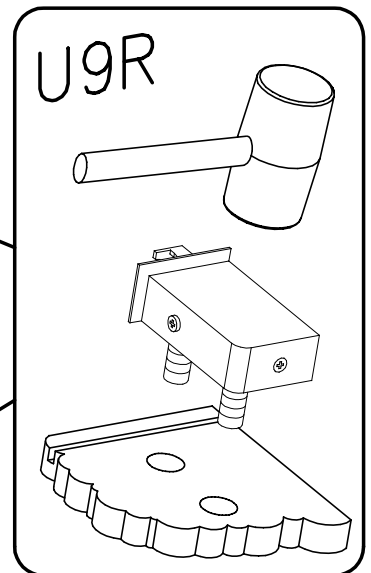
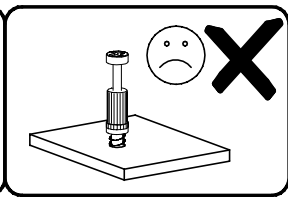
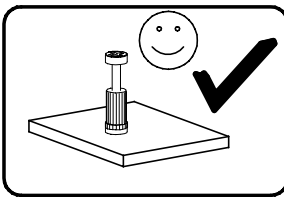
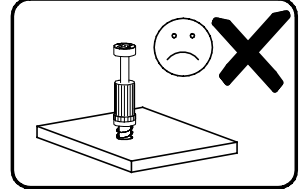
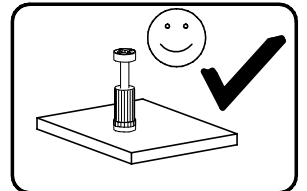
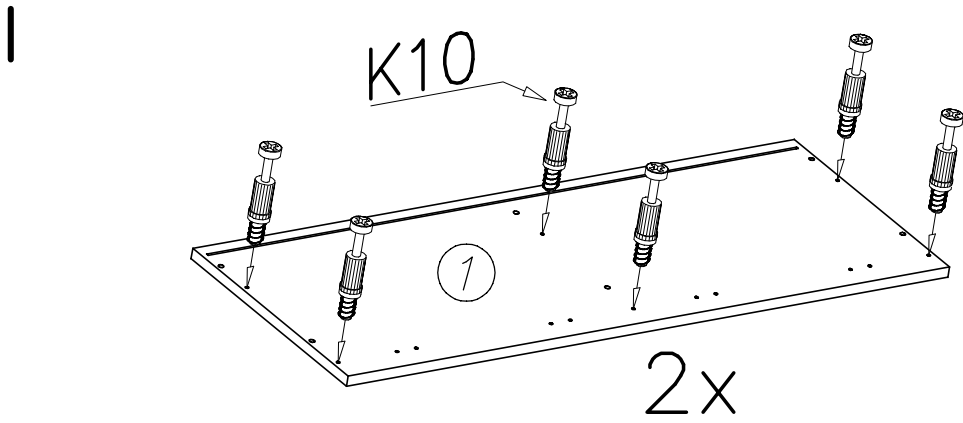
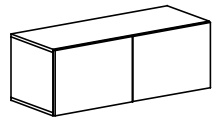
L7

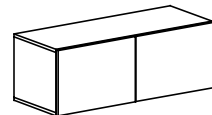


x...(2)

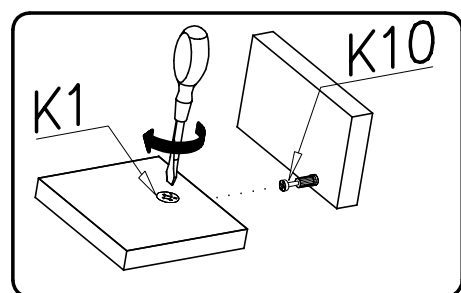
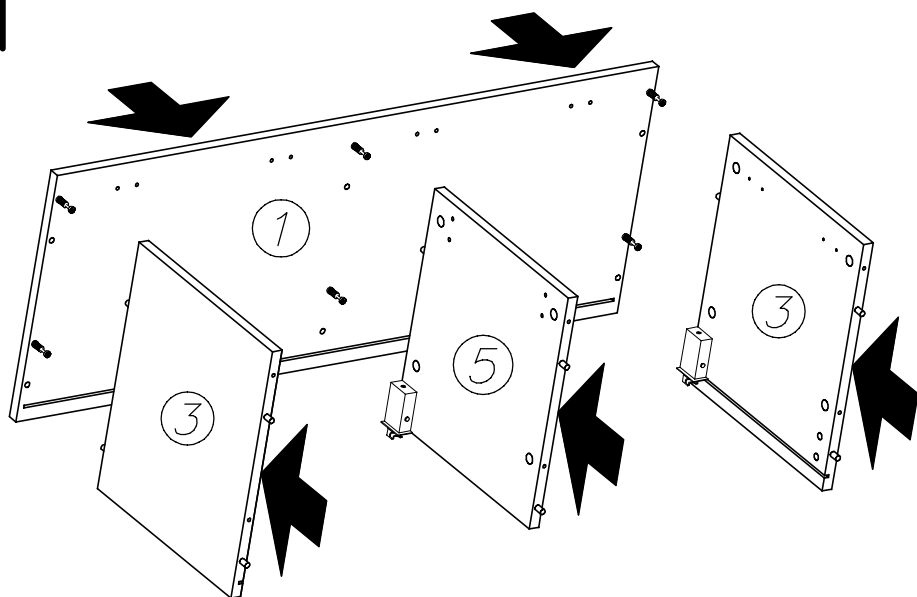


|                          |                           |                        |                         |                           |
|--------------------------|---------------------------|------------------------|-------------------------|---------------------------|
| N7<br>M4x15<br>x...(2)   | G32<br>3,5x16<br>x...(16) | I4<br>ø5<br>x...(4)    | I10<br>ø10<br>x...(4)   | L13<br>x...(2)            |
| U9L<br>x...(1)           | U9R<br>x...(2)            | U10L<br>x...(1)        | U10R<br>x...(2)         | G57<br>3,5x16<br>x...(4)  |
| K1<br>ø15x12<br>x...(12) | I7<br>x...(12)            | I1<br>x...(6)          | U7<br>x...(3)           | U8<br>ø10x60<br>x...(3)   |
| K10<br>x...(12)          | B1<br>ø8x35<br>x...(12)   | C3<br>Z35PR<br>x...(4) | D3<br>PZ35PR<br>x...(4) | G34<br>3,5x16<br>x...(11) |

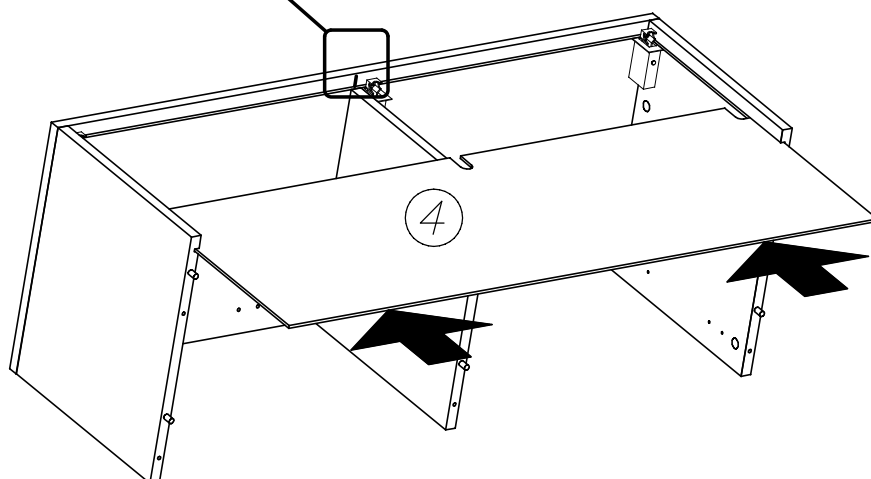
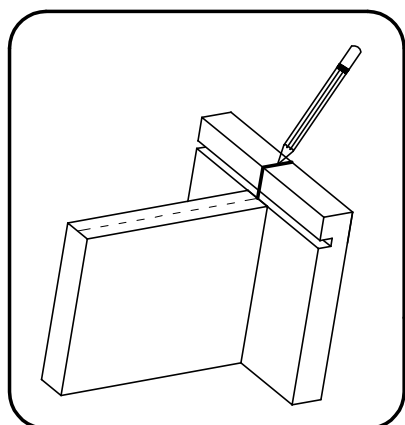


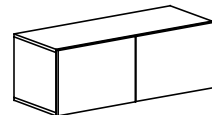


II

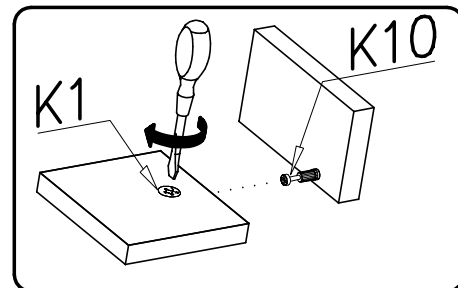
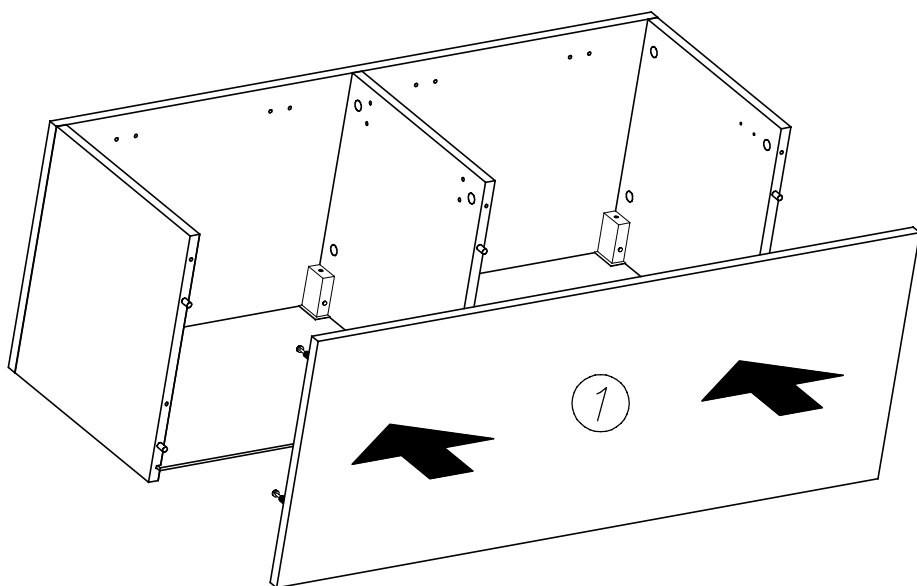


III

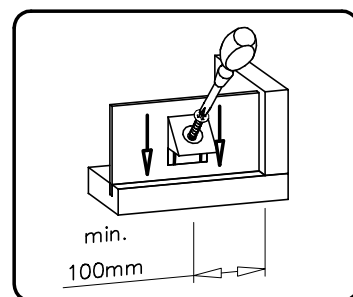
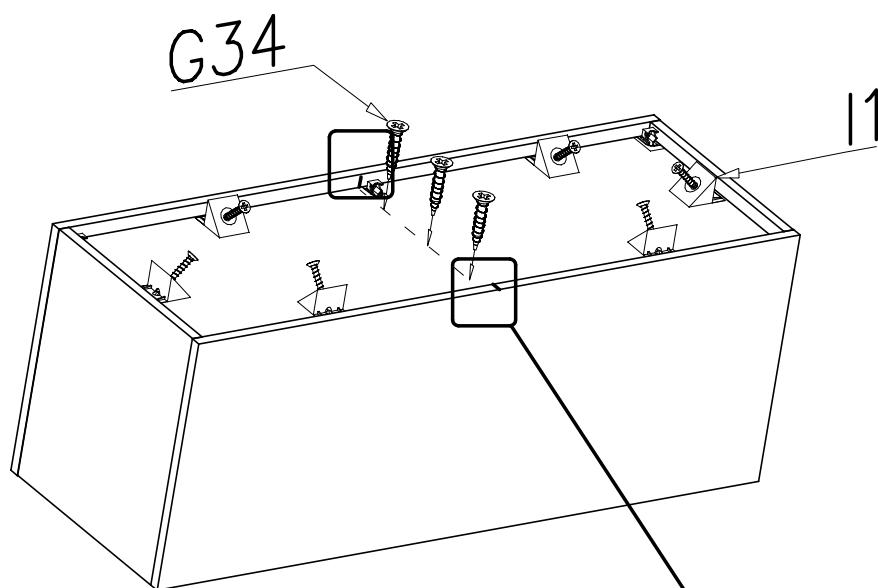




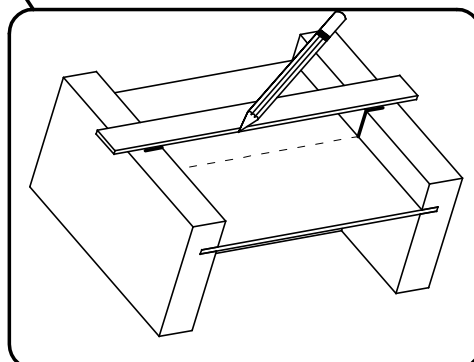
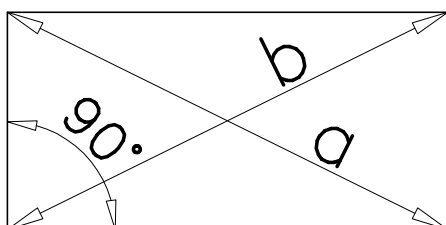
# IV

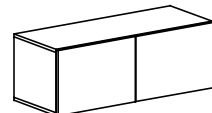


# V

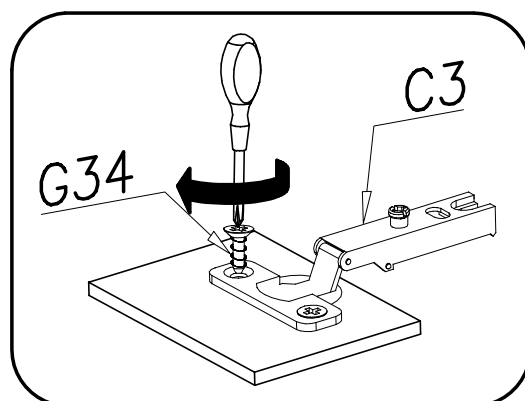
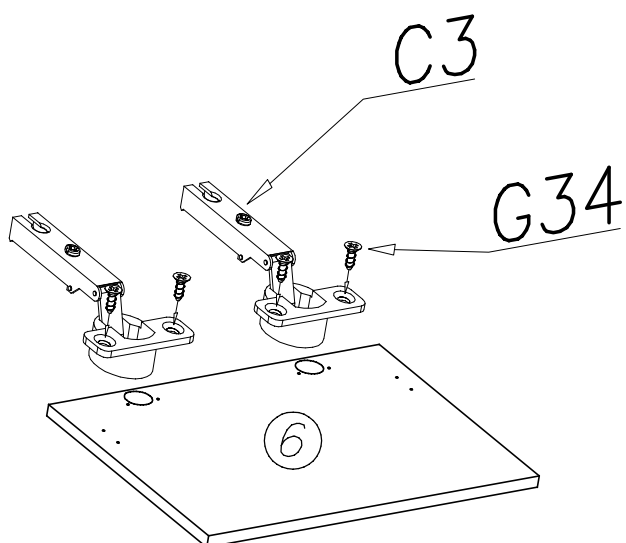


$$a = b$$

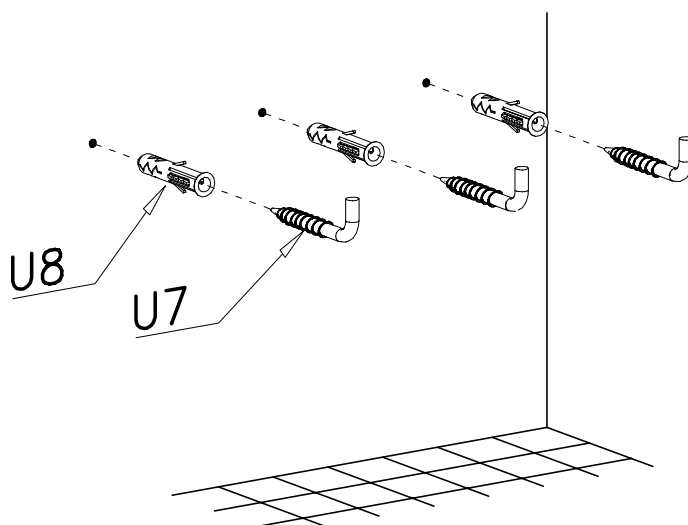
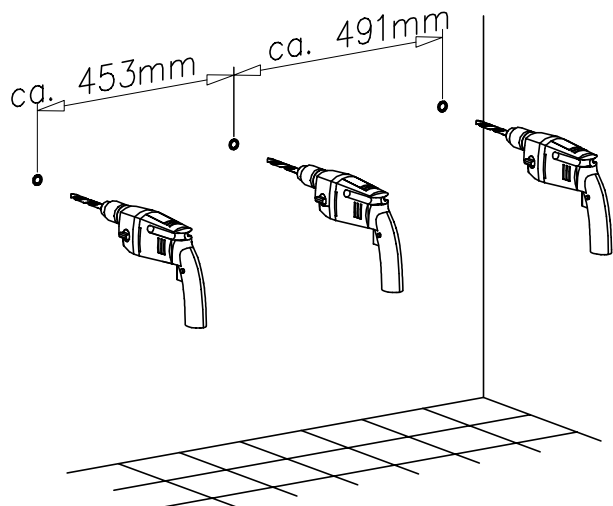
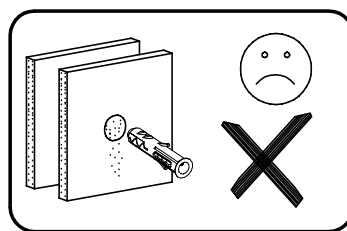
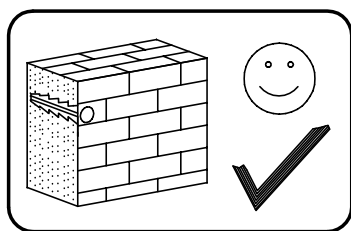


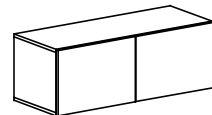


# VI

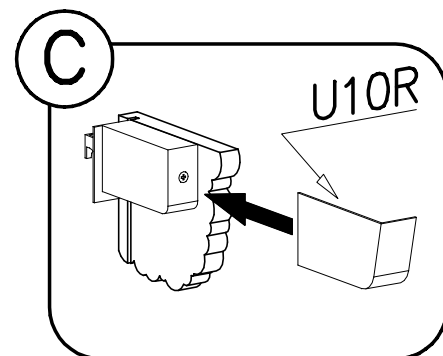
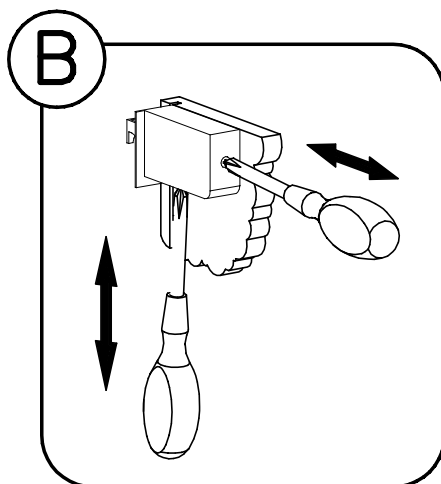
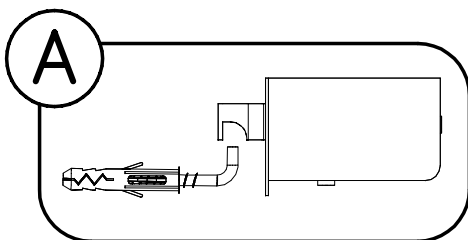
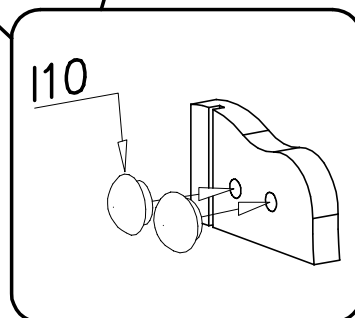
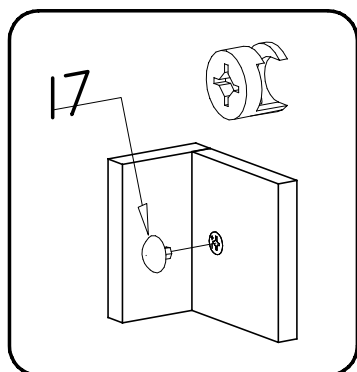
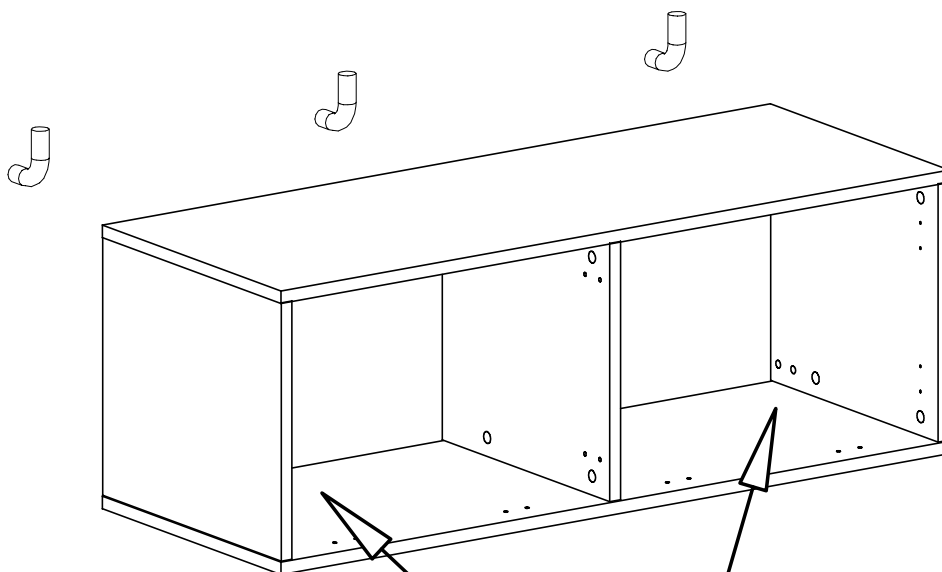


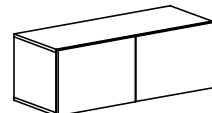
# VII



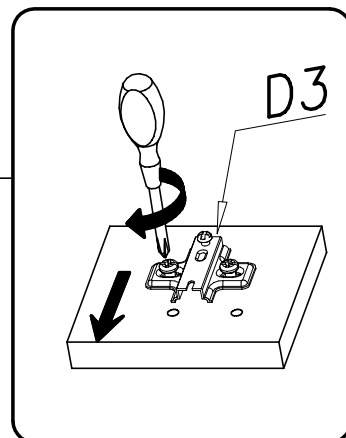
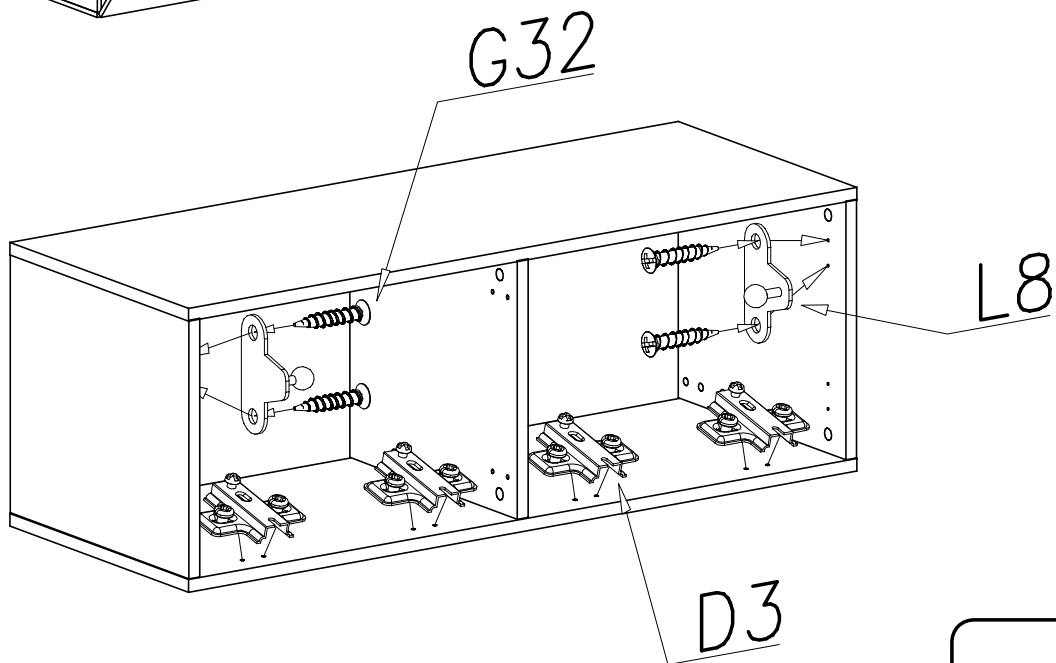
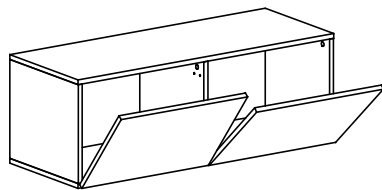


# VIII

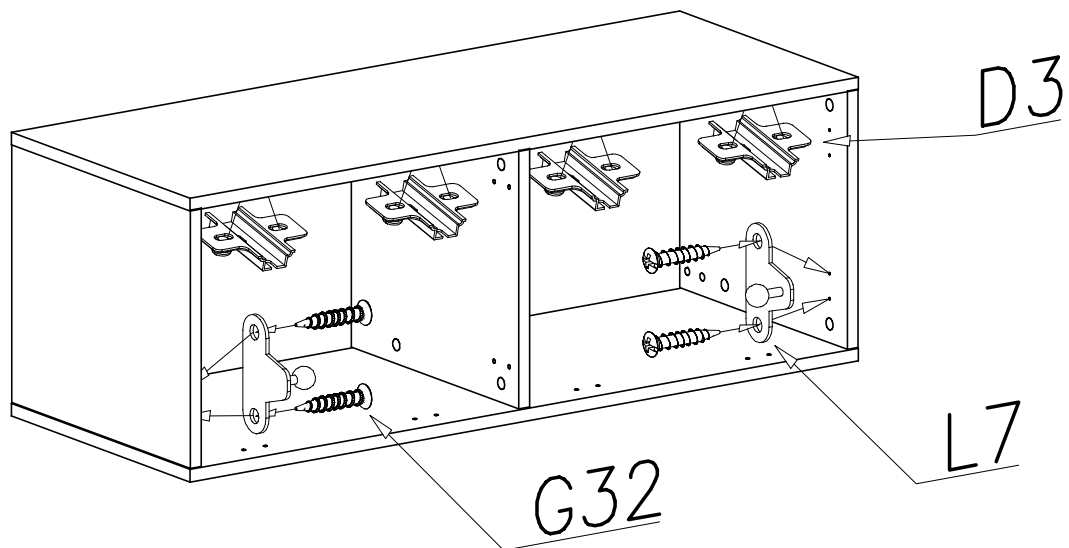
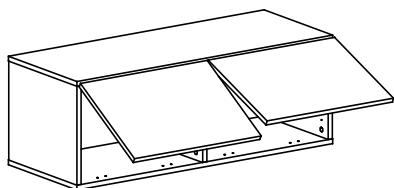


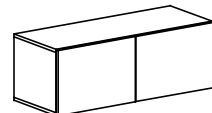


IX

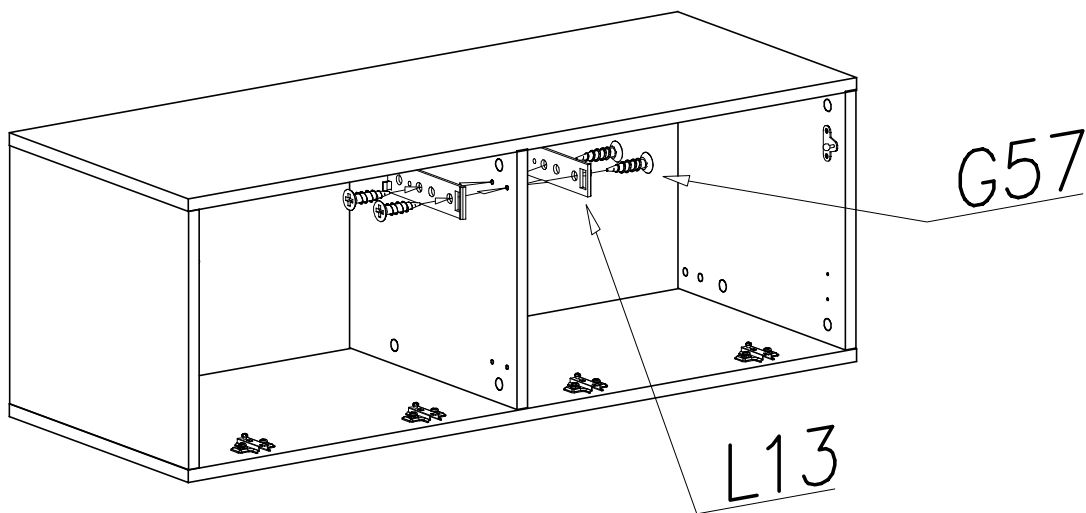
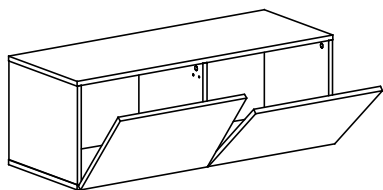


IX

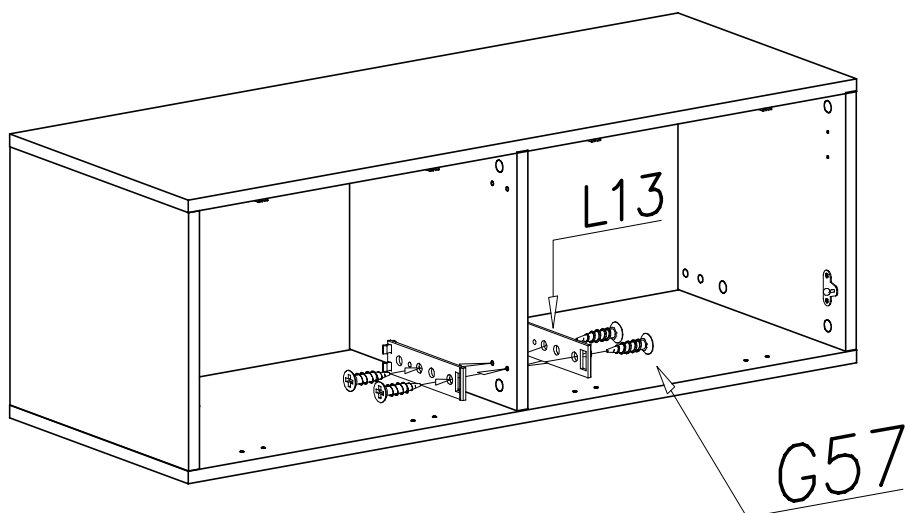
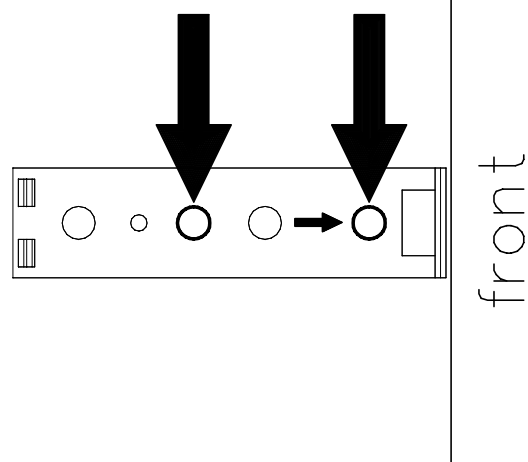
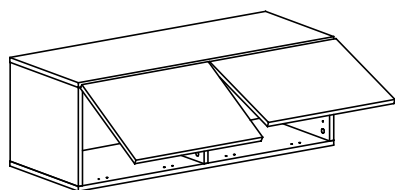


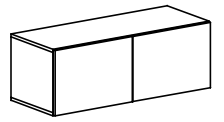


X

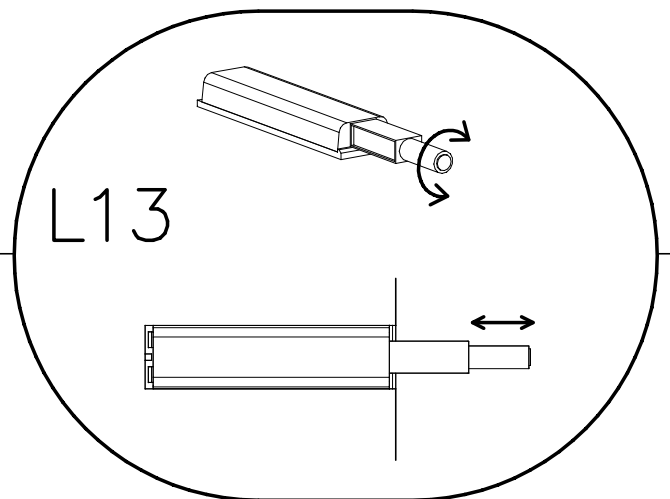
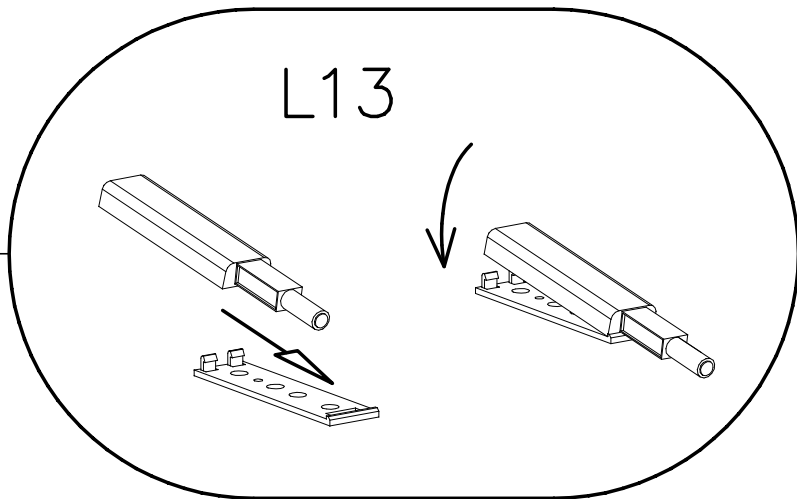
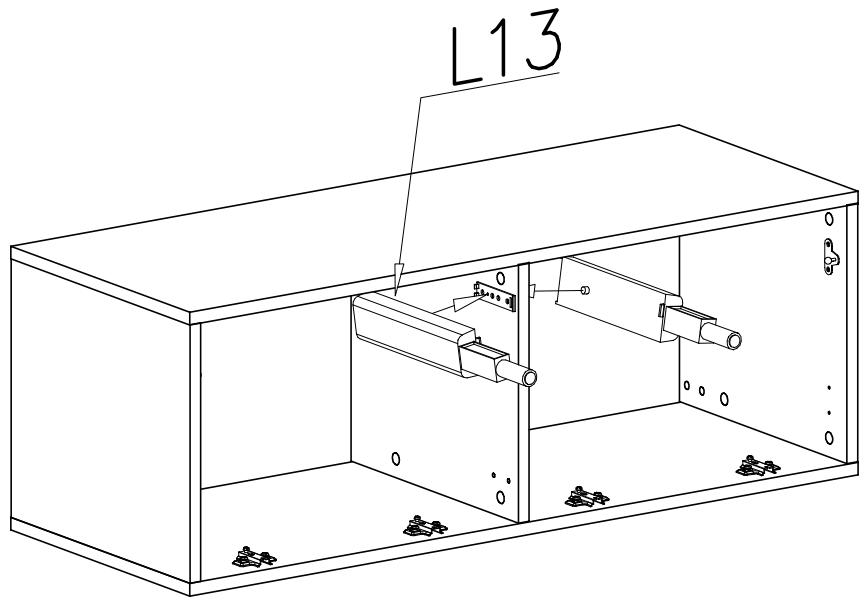
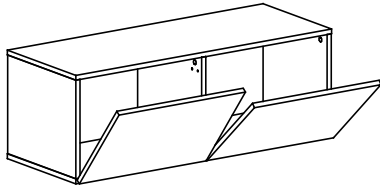


X

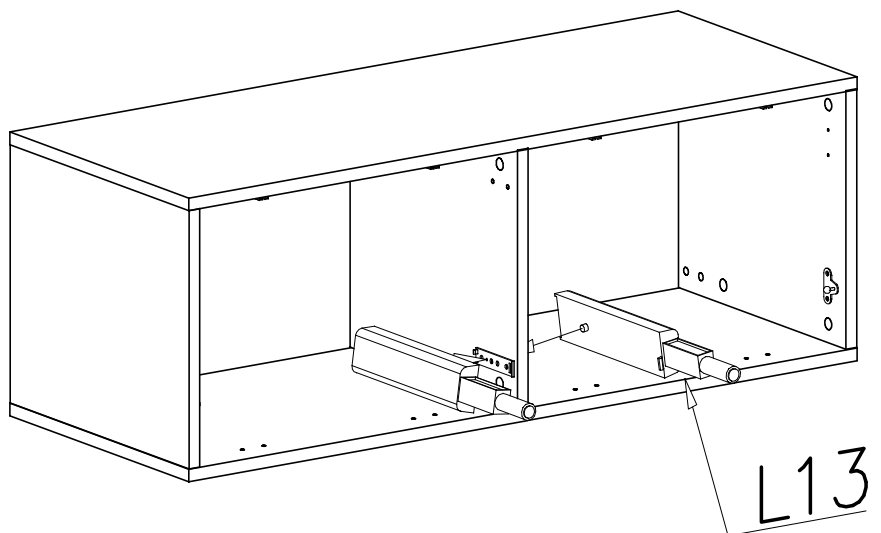
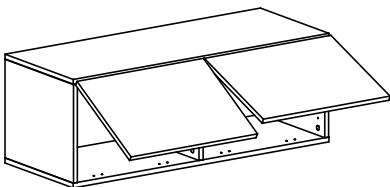


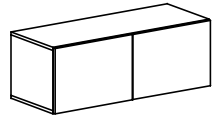


XI

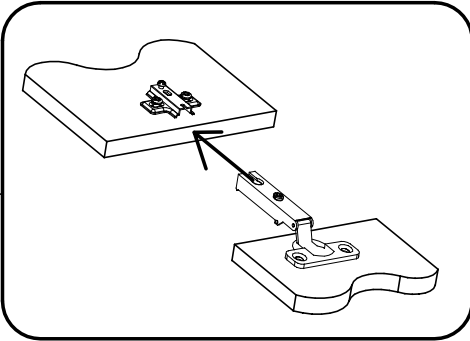
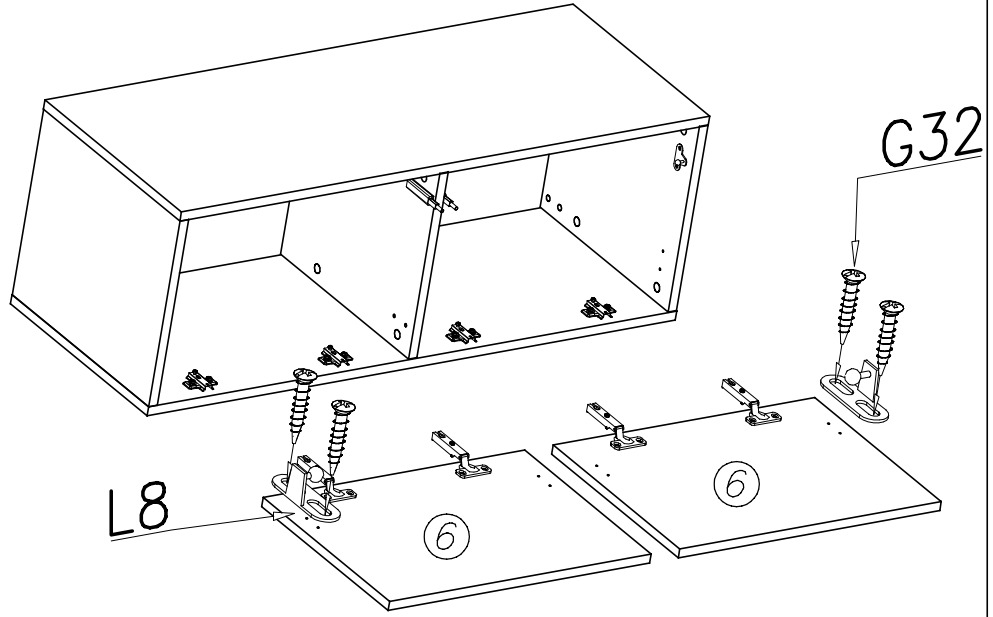
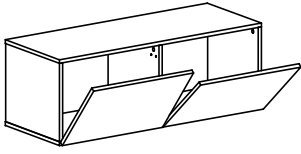


XI

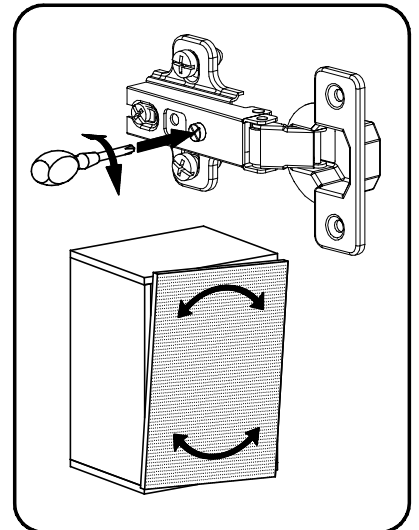
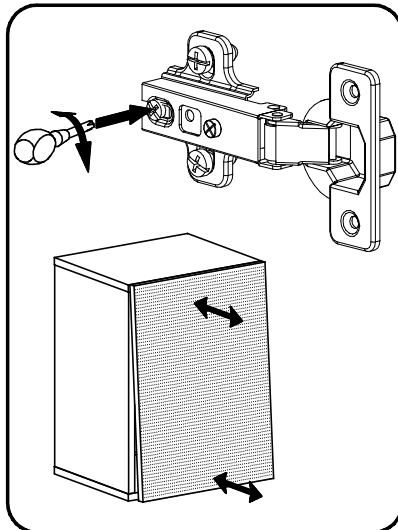
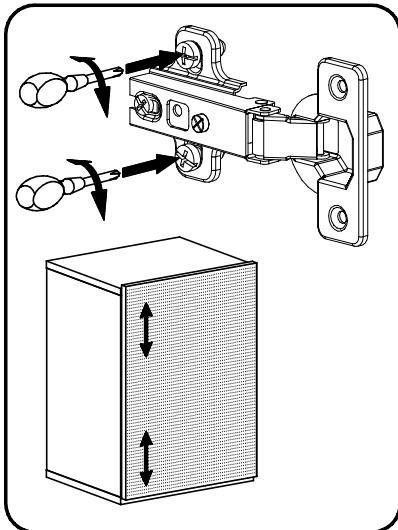
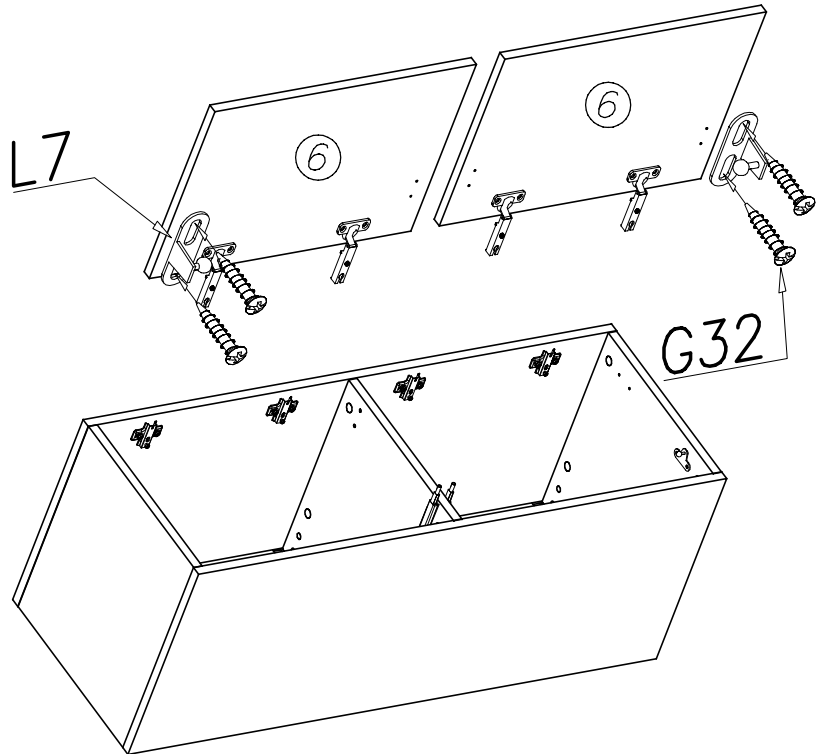
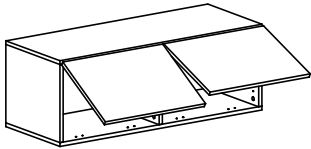


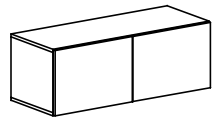


# XII

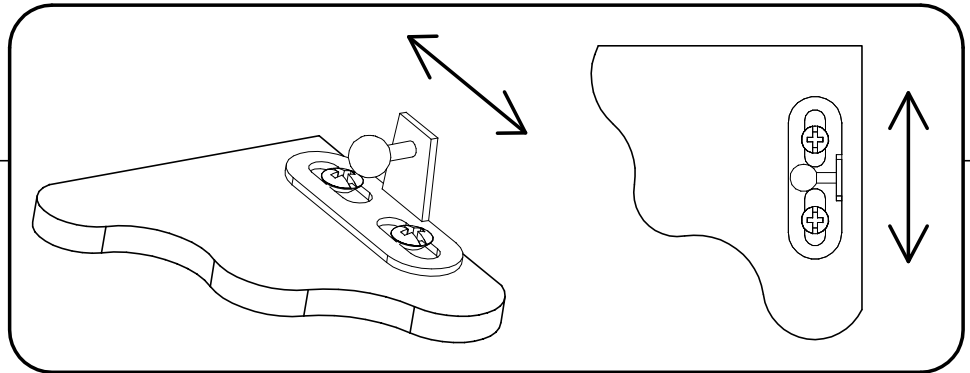
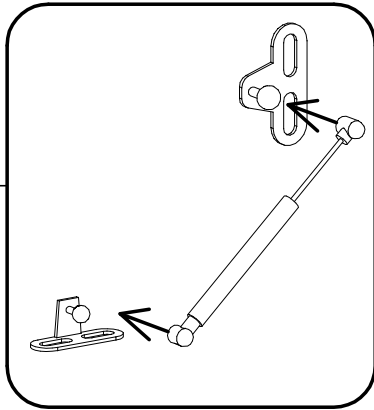
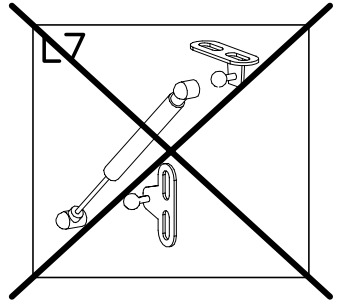
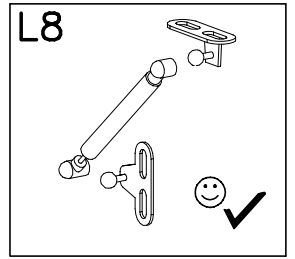
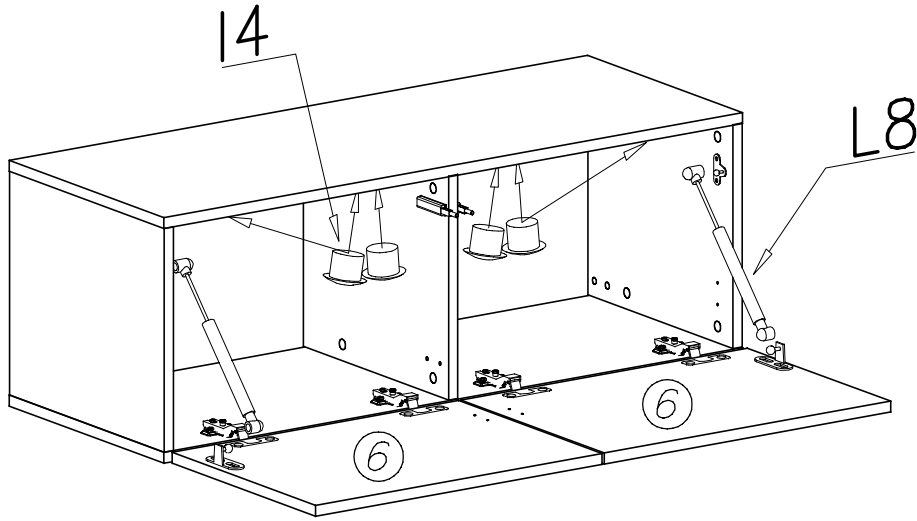
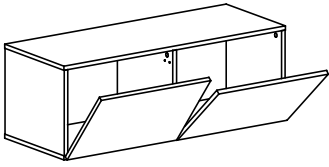


# XII

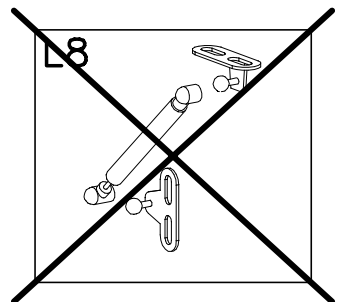
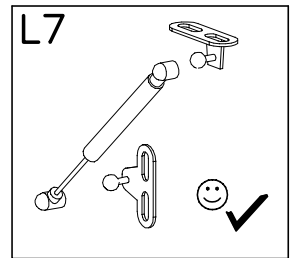
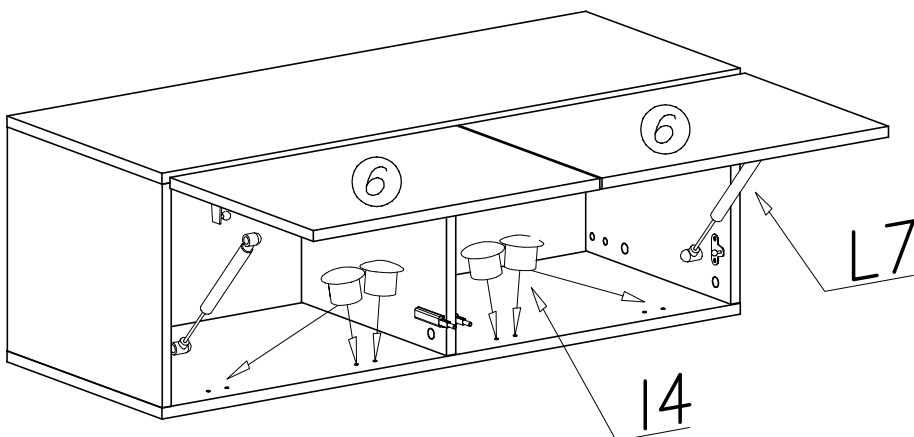
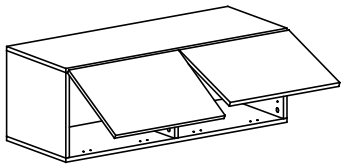


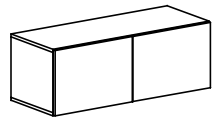


# XIII

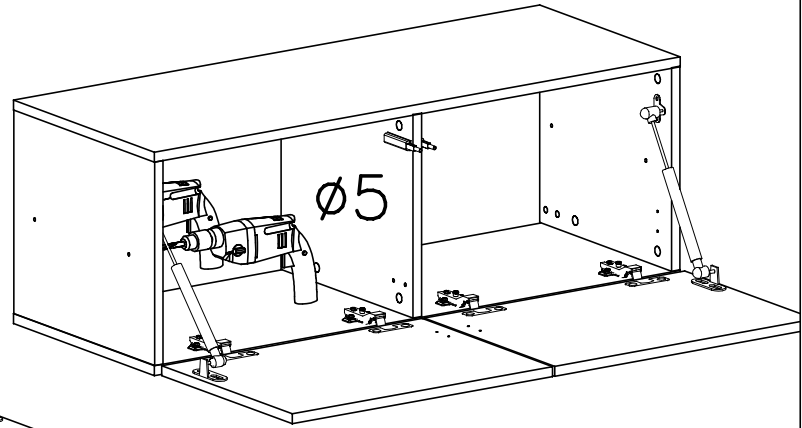
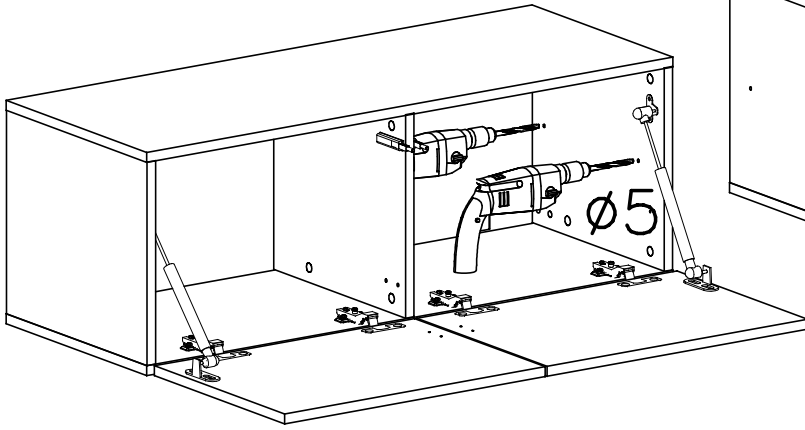
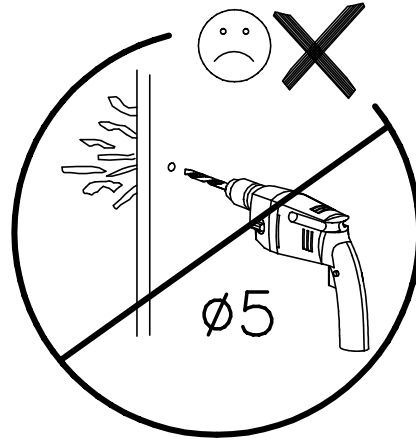
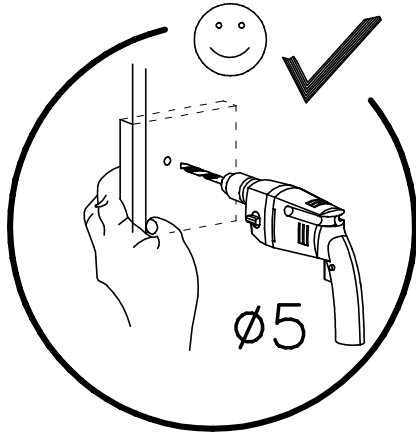


# XIII





# XIV



# XV

