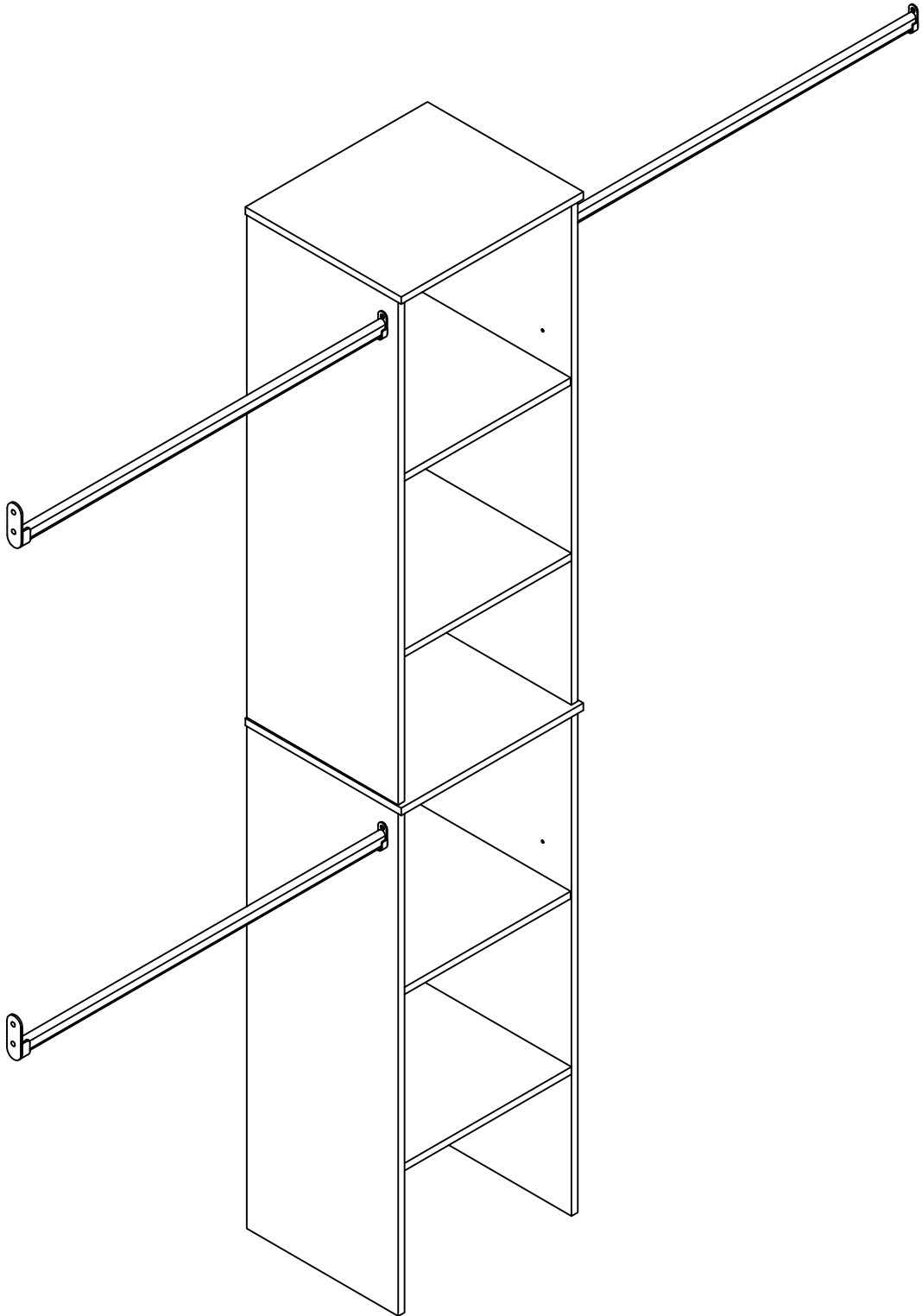
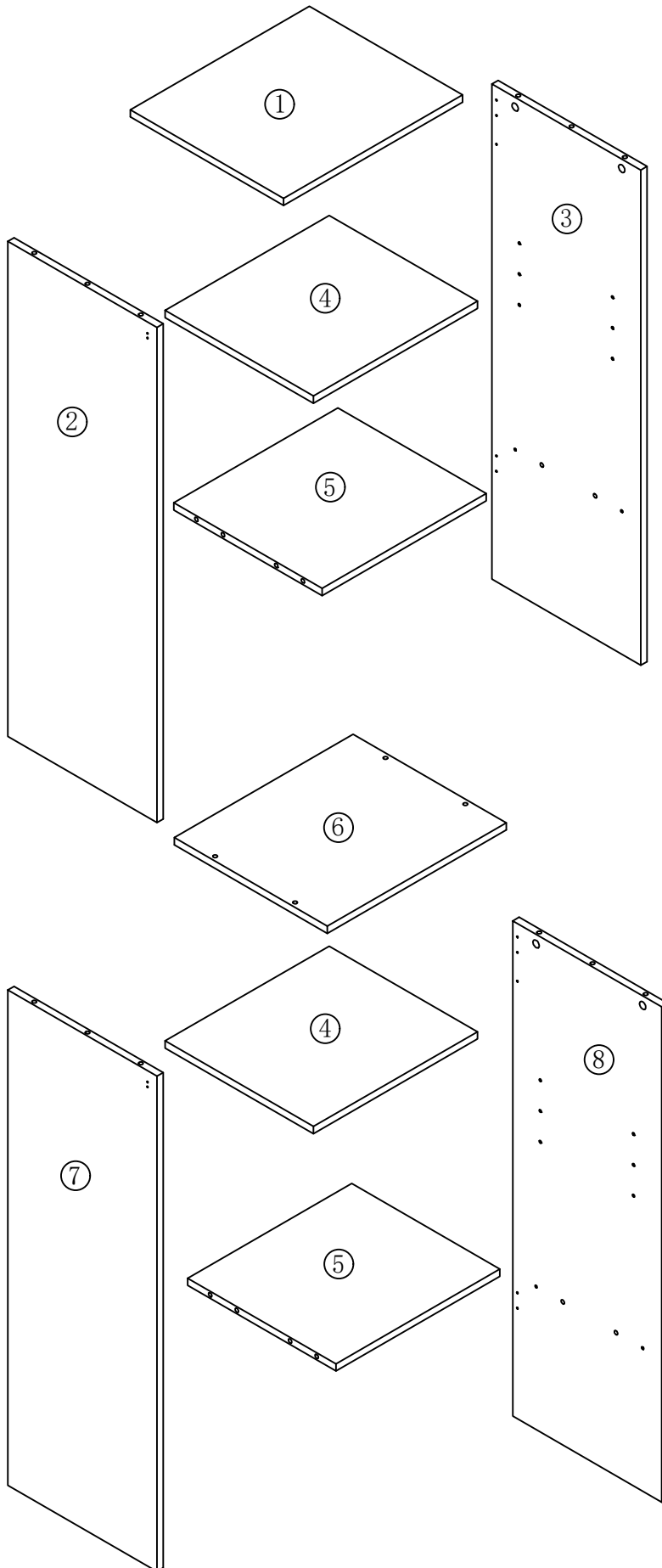

Storage Box

Instruction Manual



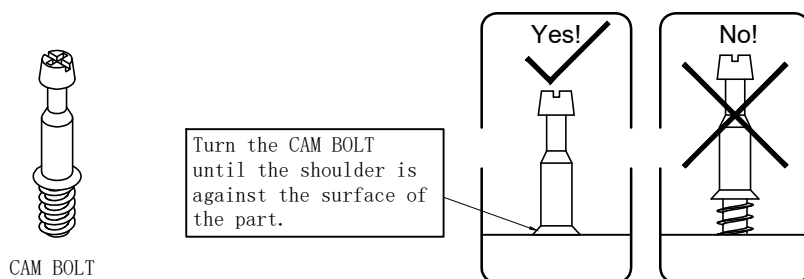
Parts List



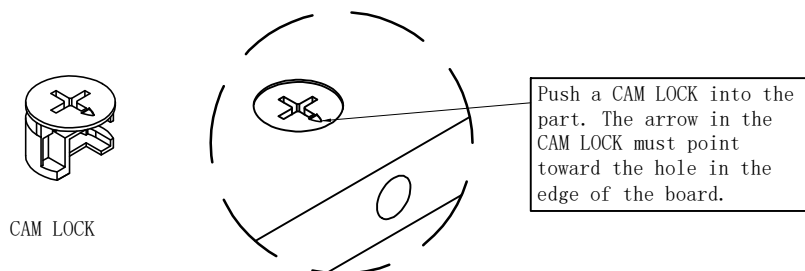
Hardware Usage Guide

HOW TO USE A CAM LOCK & CAM BOLT OR CAM DOWEL?

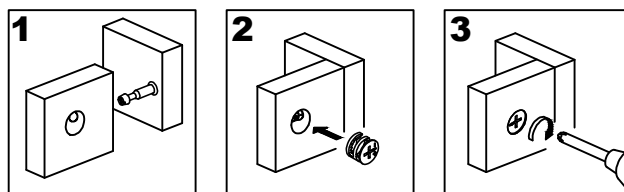
1. NOTE: CAM BOLT or a CAM LOCK may be used.



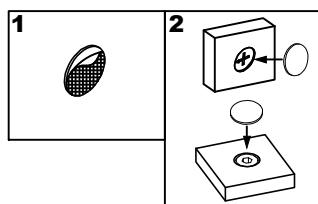
2.



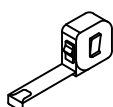
3. Insert the CAM BOLT into the CAM LOCK. Tighten the CAM LOCK.



4. Remove the the protective layer of sticker, then use it to cover all cam-lock holes & bolt holes that you can see.



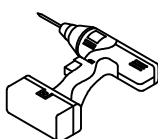
TOOLS REQUIRED



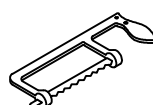
TAPE MEASURE



PENCIL



POWER DRILL, NO.2
PHILLIPS DE 3 MM
(1/8 PO) ET 13 MM
(1/2 PO)DRILL BITS




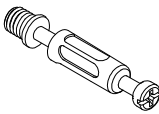
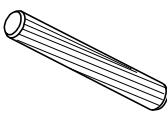

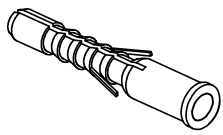
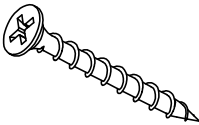
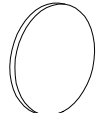
HACK SAW



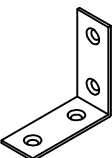
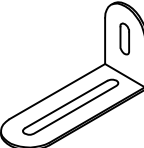
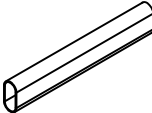



PHILIPS
SCREWDRIVER

Hardware List

- Carefully remove all the parts from the carton and place them individually on a soft cloth to prevent scratches or other damage.
- Carefully and strictly follow these assembly&installation instructions to ensure a completed product as designed.
- Do not tighten all the screws until each part is properly assembled.

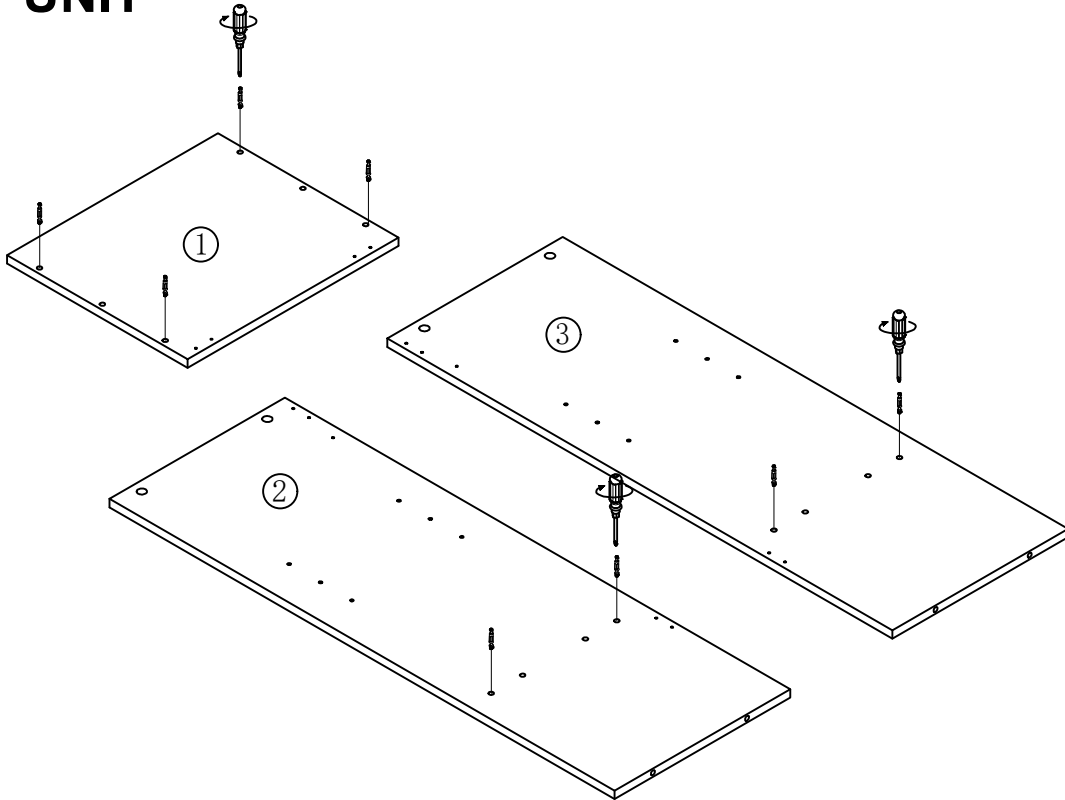
Item No.	Reference Image	Qty.
(A)	 Cam lock $\phi 15 \times 11 \text{mm}$	x16
(B)	 Cam bolt $\phi 7 \times 32 \text{mm}$	x16
(C)	 Wood dowel $\phi 8 \times 40 \text{mm}$	x16
(D)	 Screw $\phi 4 \times 14 \text{mm}$	x48
(E)	 Plastic anchor (8*40mm)	x10
(F)	 with screw (4*50mm)	x10
(G)	 Sticker	x16

Item No.	Reference Image	Qty.
(H)	 Elliptical clothing base	x6
(I)	 Shelf support	8 set
(J)	 L-shaped angle iron	x8
(K)	 Anti overturning L-piece	x4
(P)	 Elliptical Clothing (1194mm)	x3
(Q)	 Elliptical clothing with blocked ends	x6

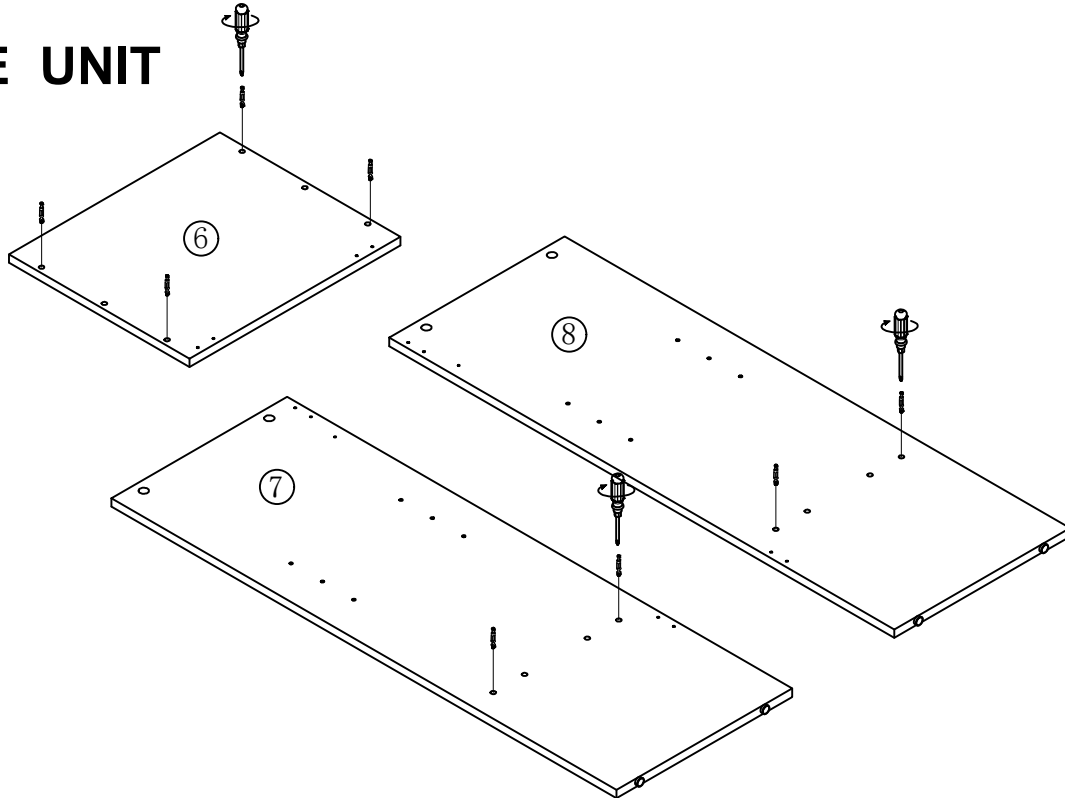
Step 1

 B x 16

TOP UNIT



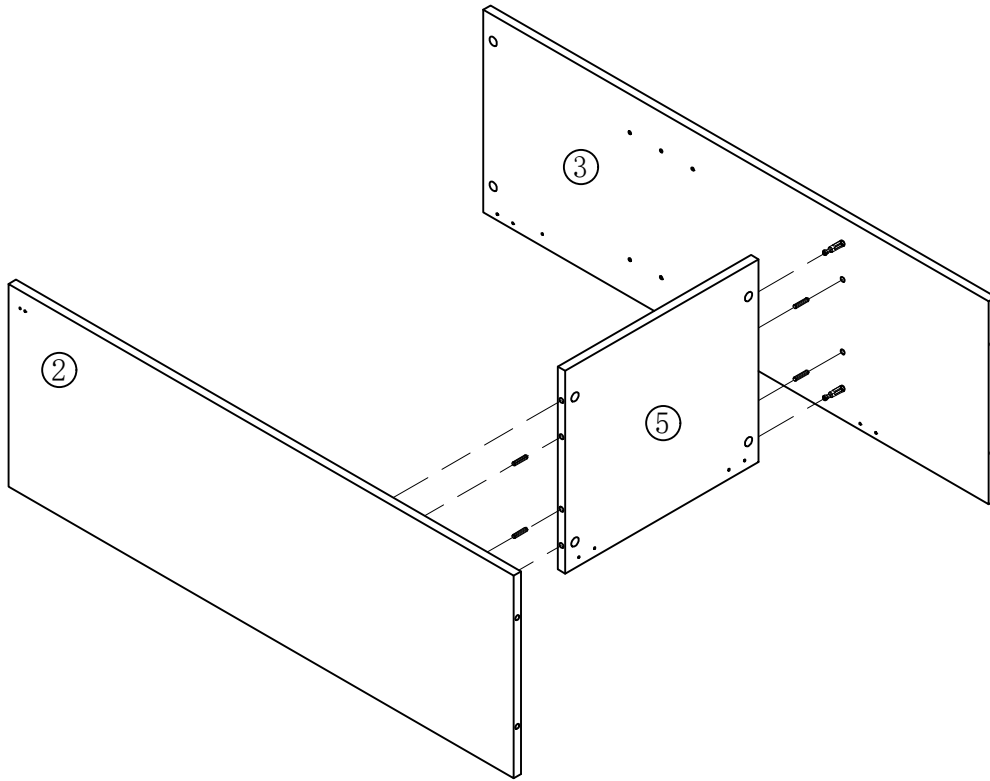
BASE UNIT



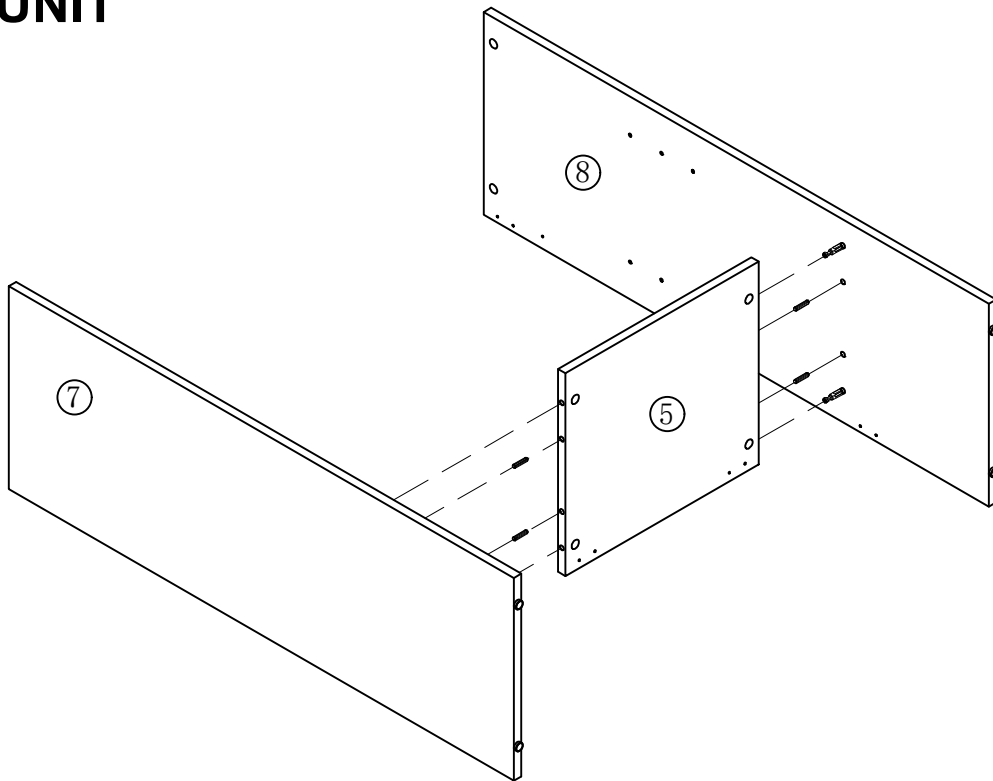
Step 2

 C x 8

TOP UNIT

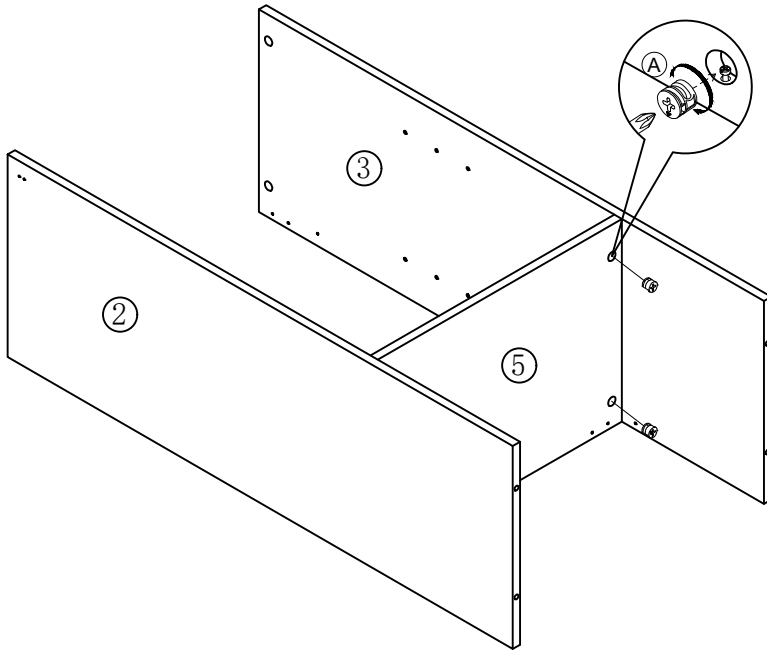


BASE UNIT

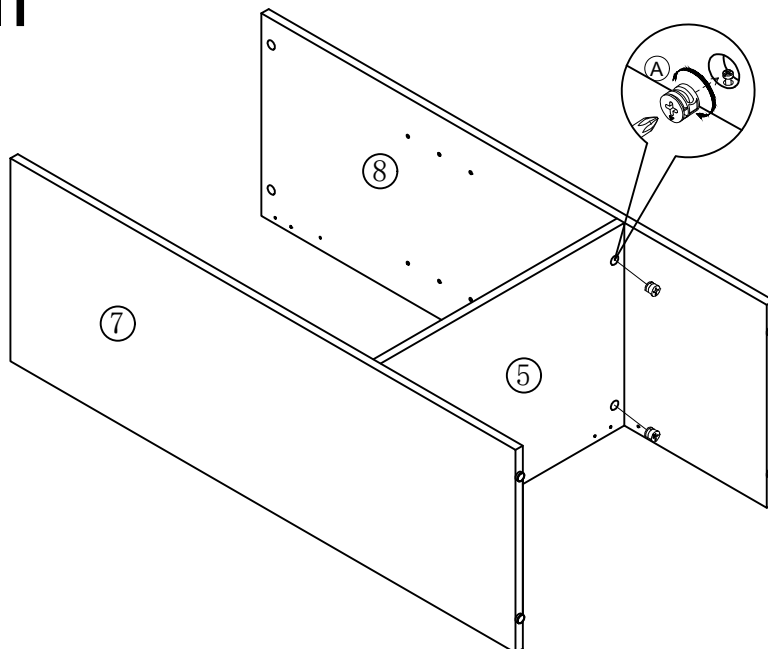




TOP UNIT



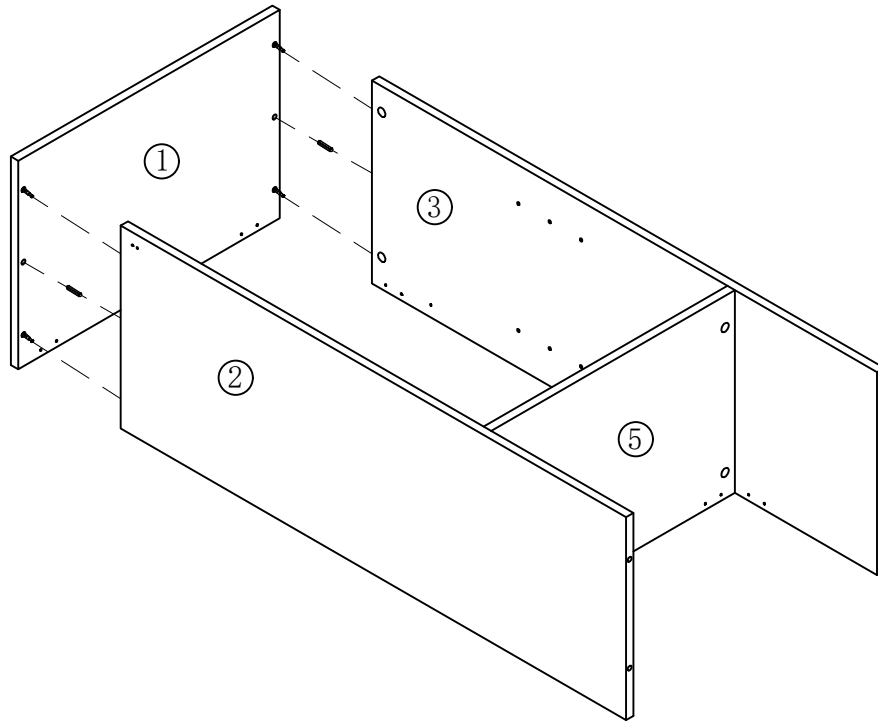
BASE UNIT



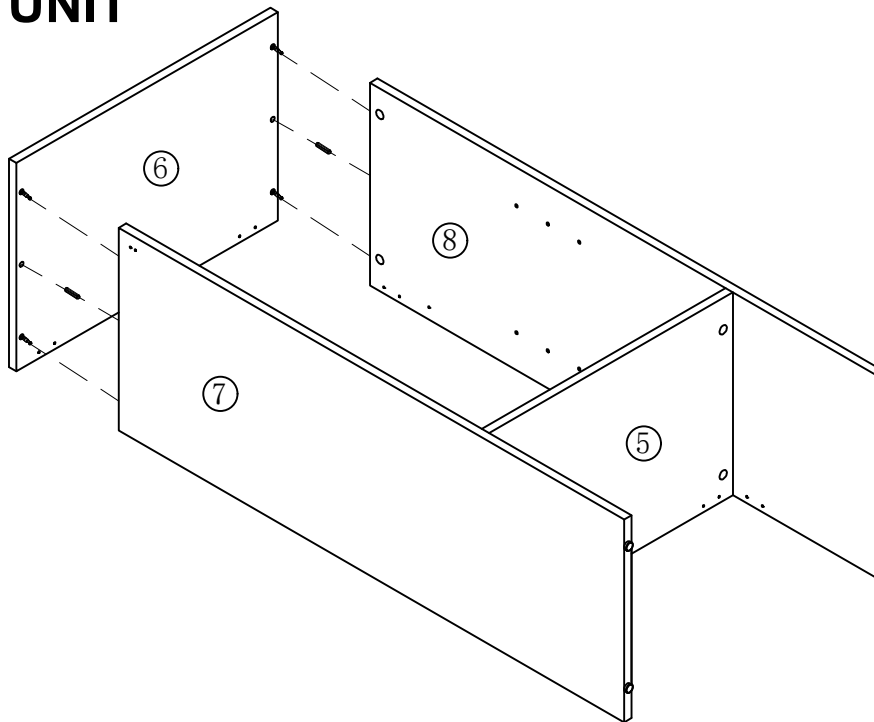
Step 4

 C x 4

TOP UNIT



BASE UNIT

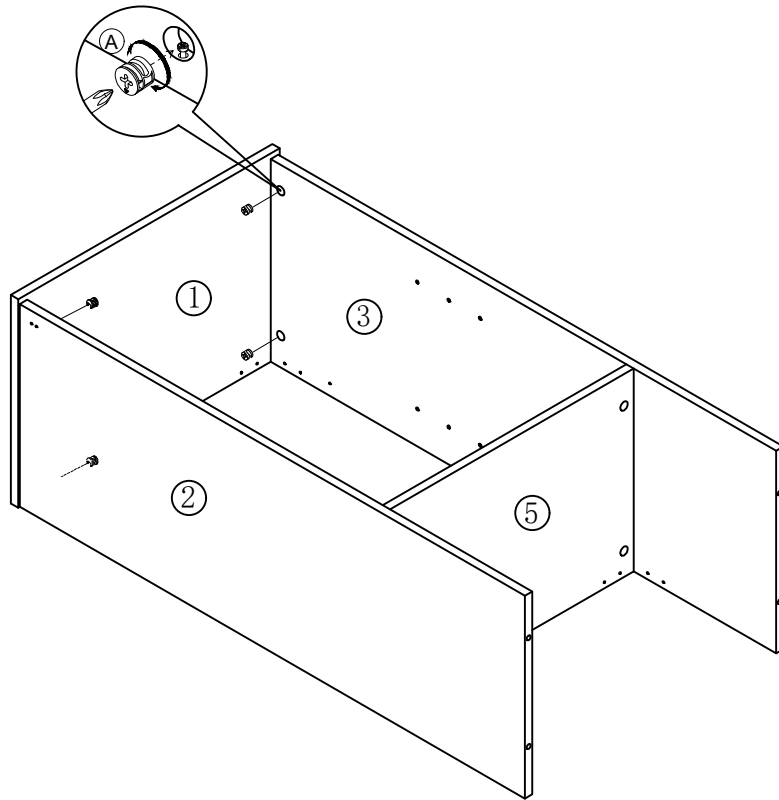


Step 5

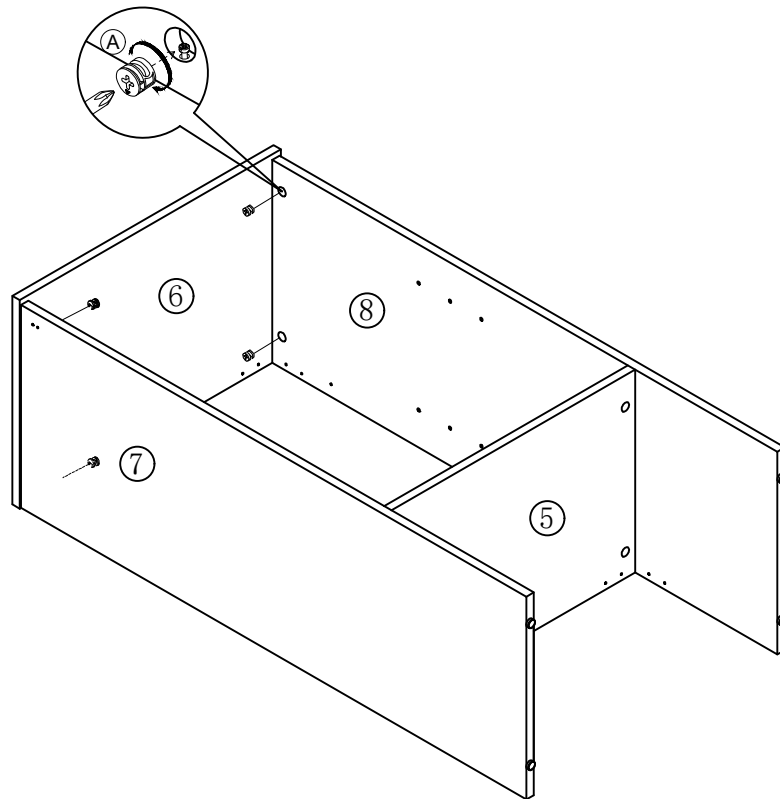


A x 8



TOP UNIT



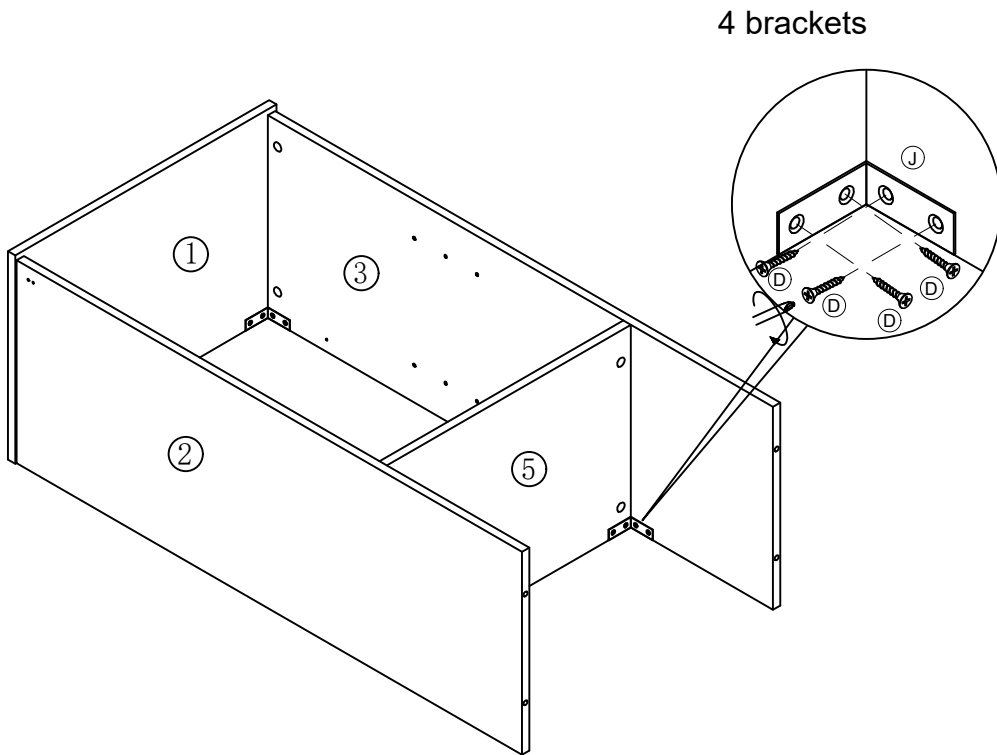
BASE UNIT



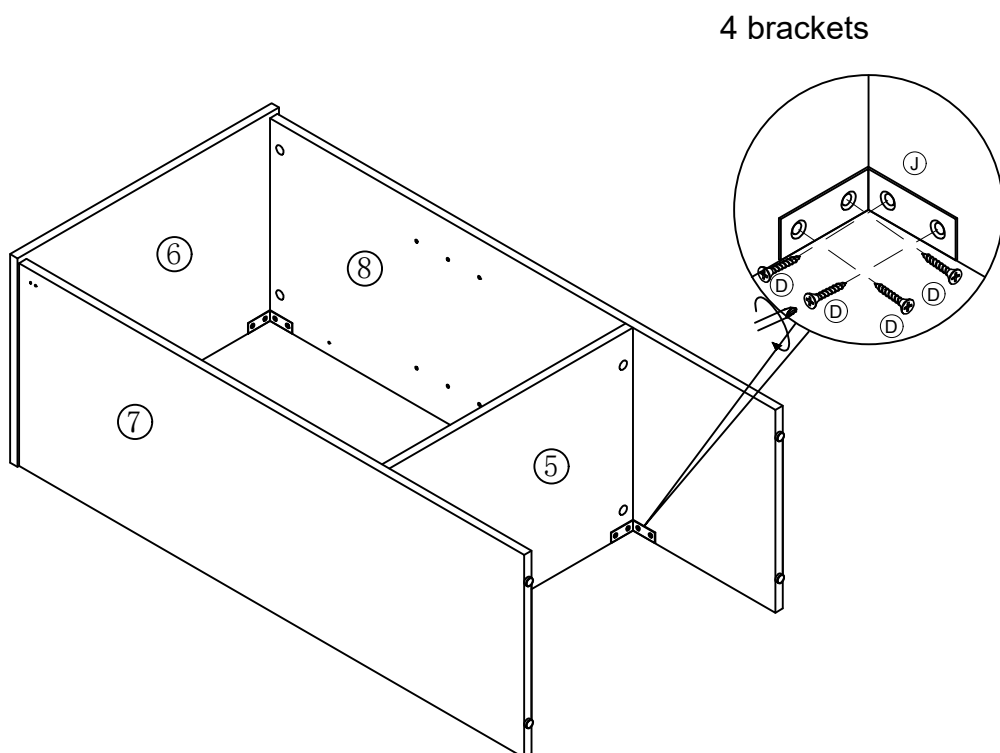
Step 6

	J x 8
	D x 32

TOP UNIT



BASE UNIT



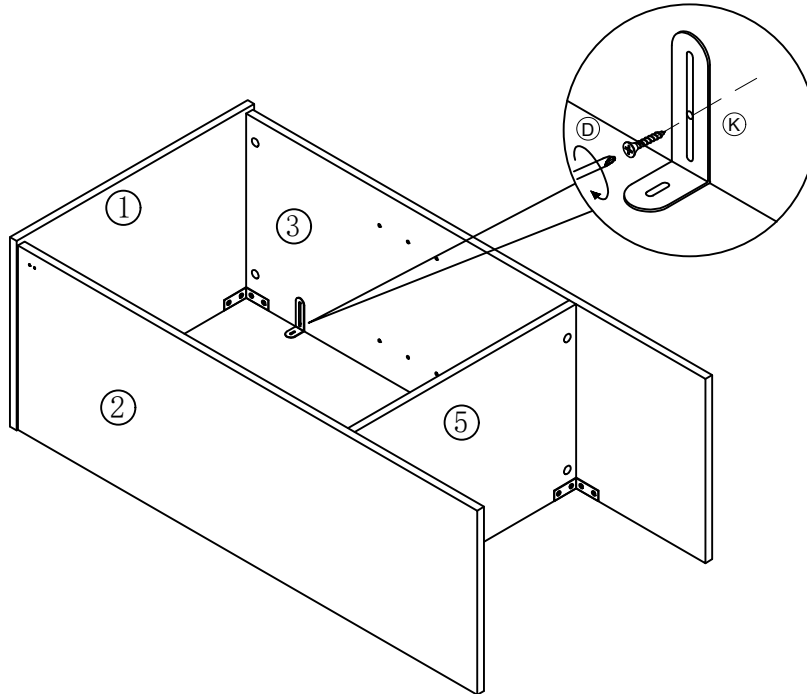
Step 7

 K x 4

 D x 4

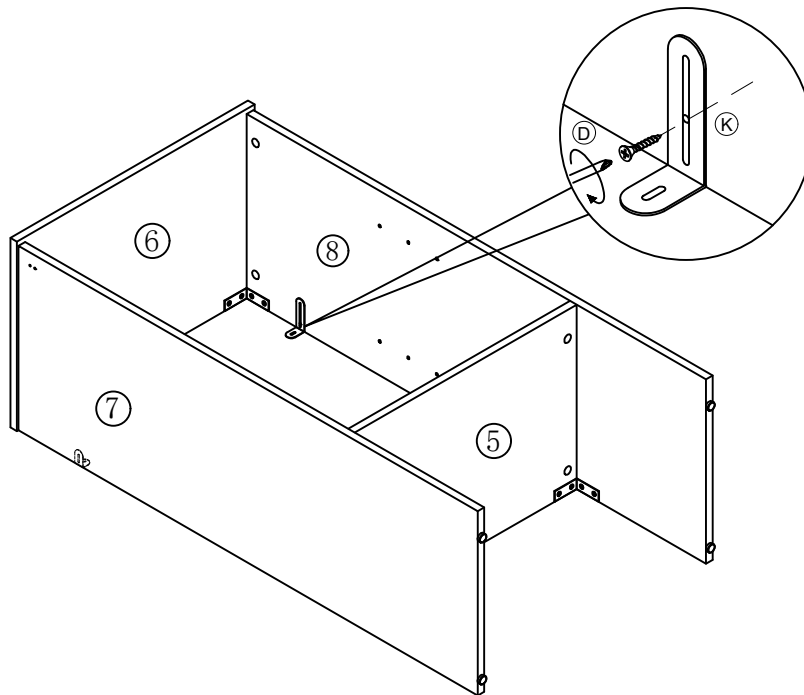
TOP UNIT

2 Anti overturning L-piece

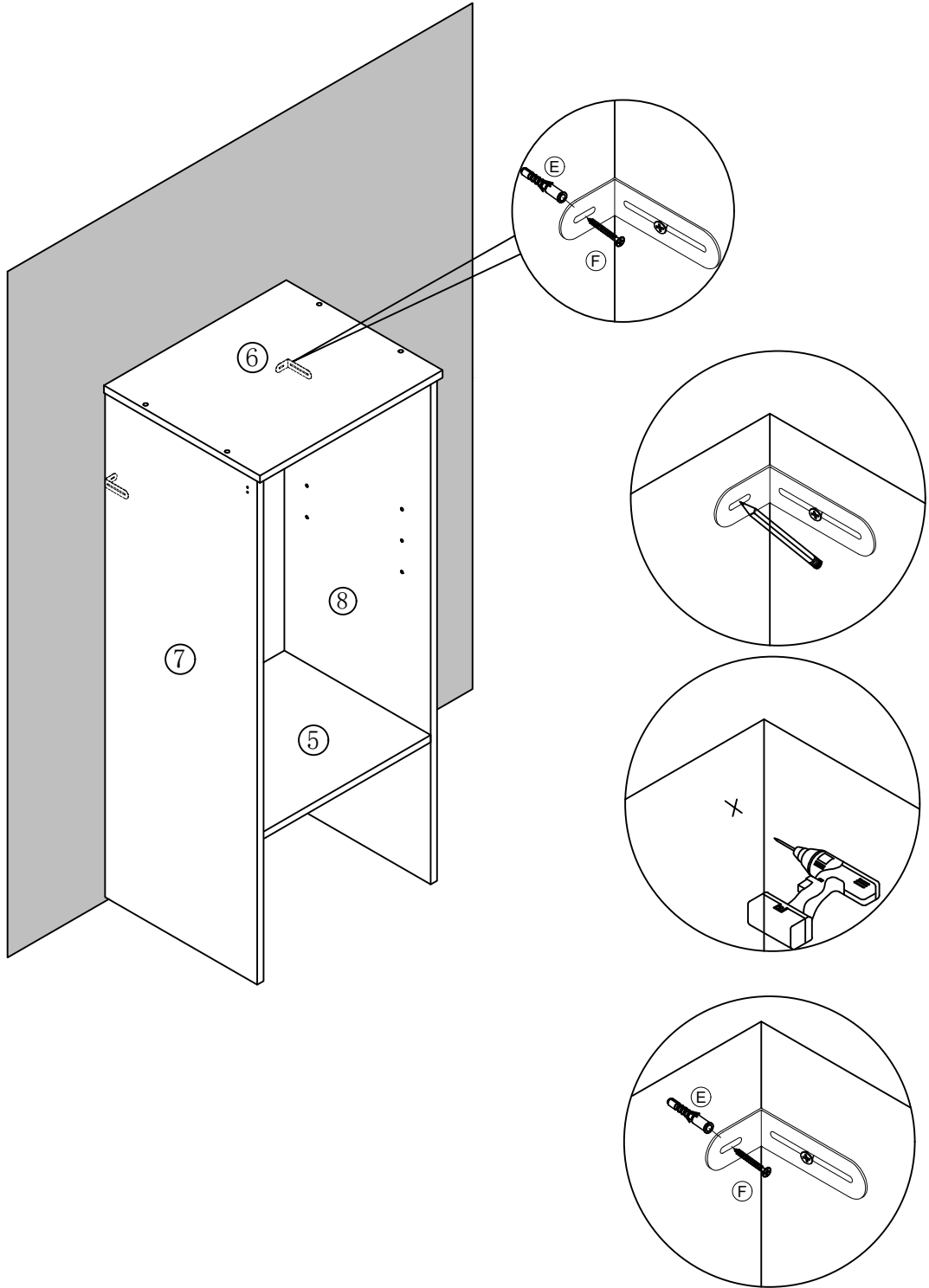
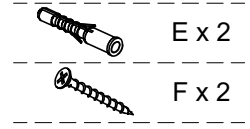


BASE UNIT

2 Anti overturning L-piece

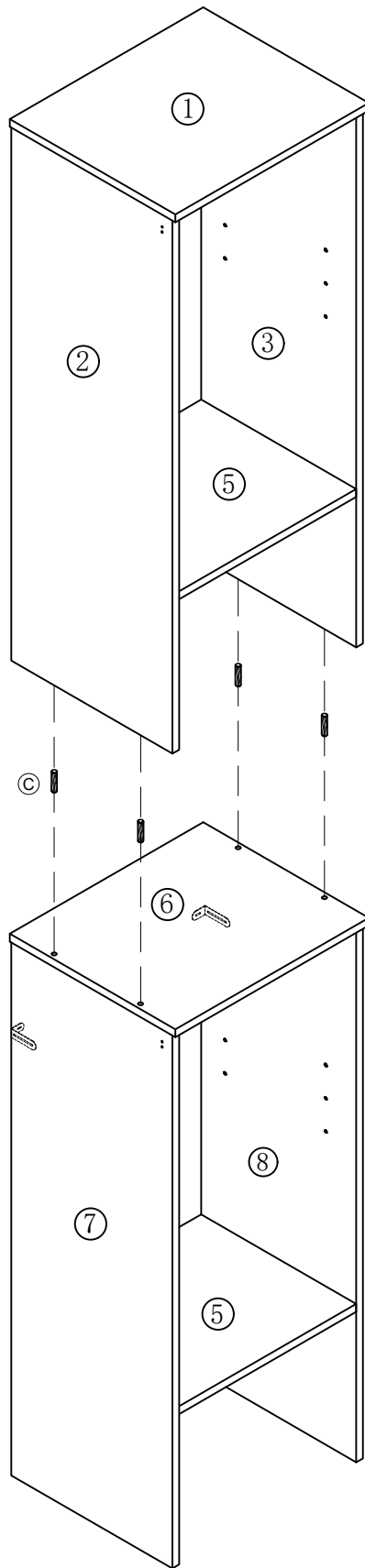


Step 8





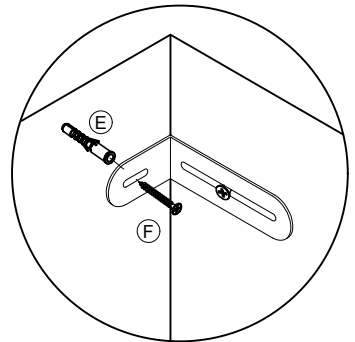
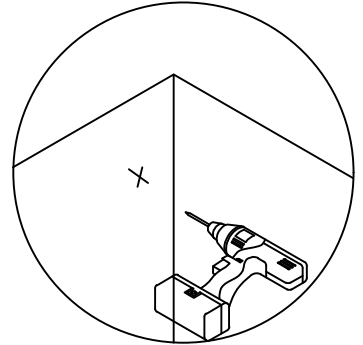
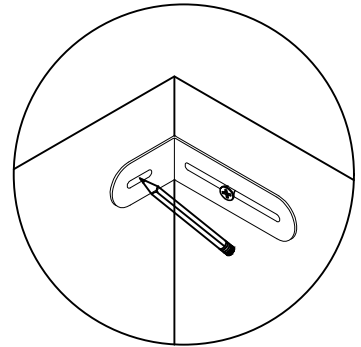
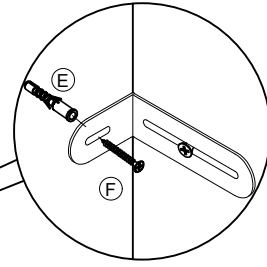
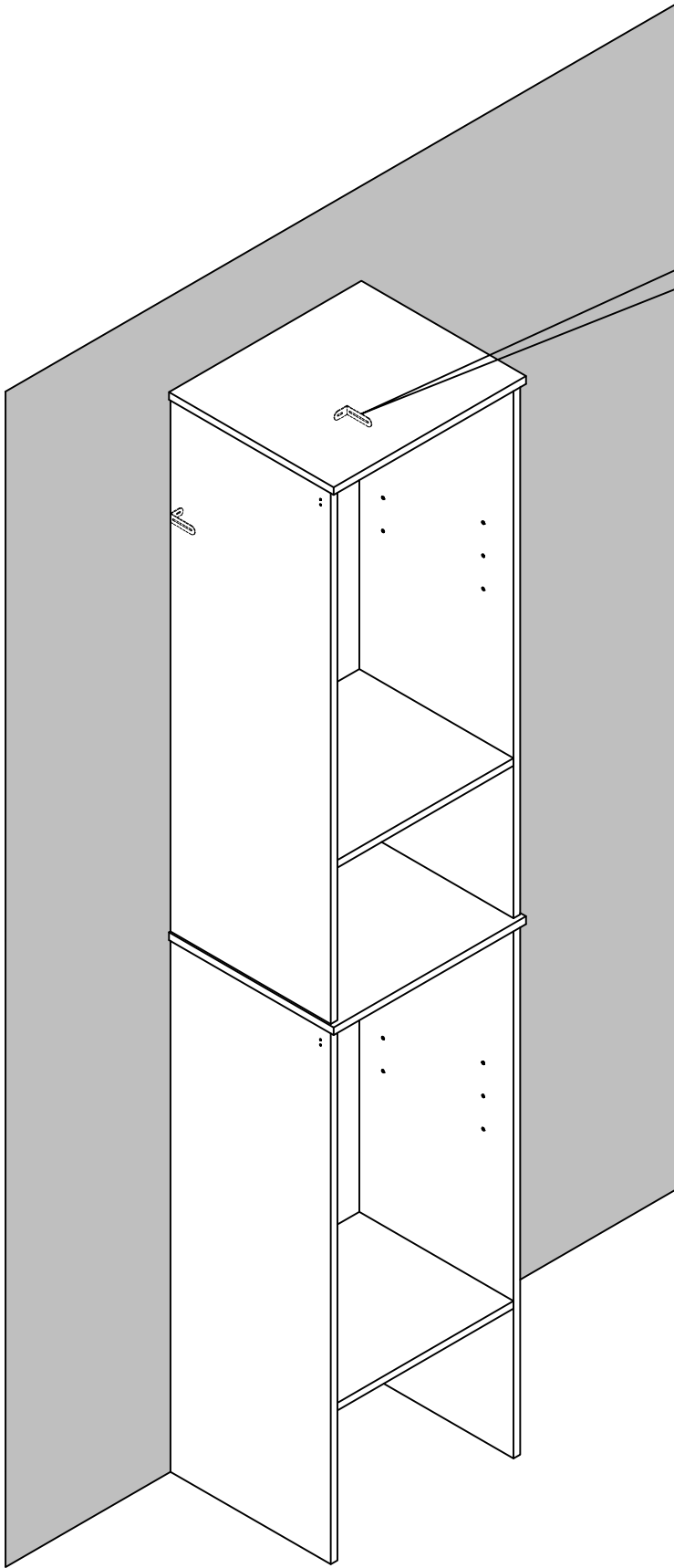
Step 9

 C x 4



Step 10

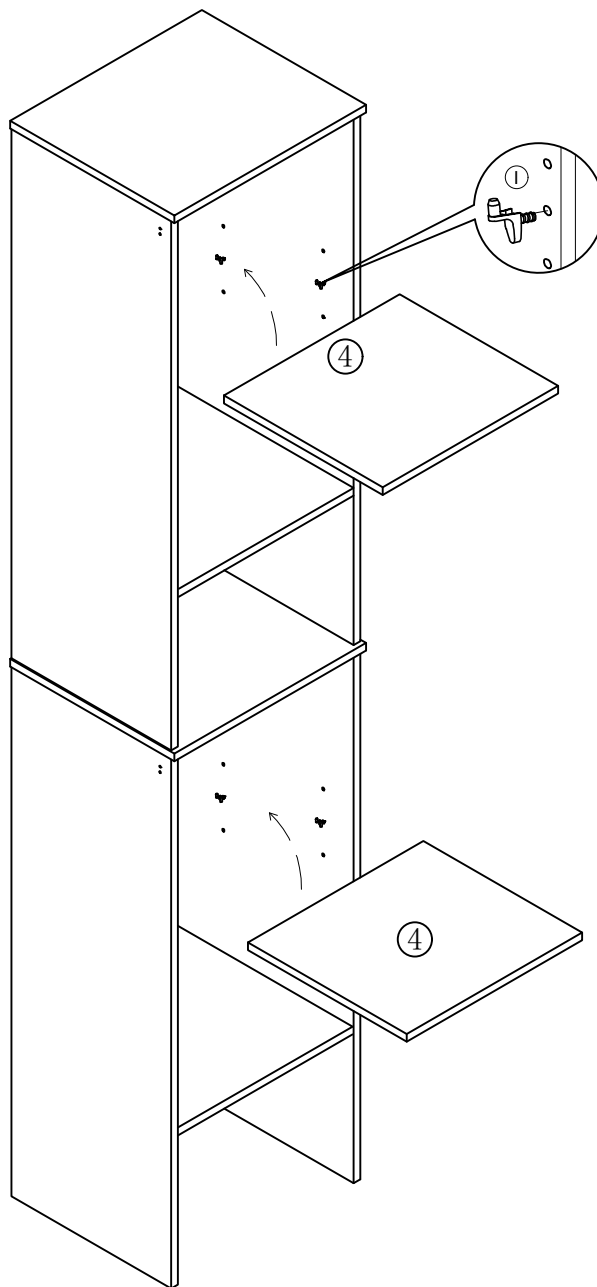
-  E x 2
-  F x 2



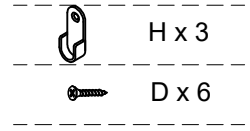
Step 11



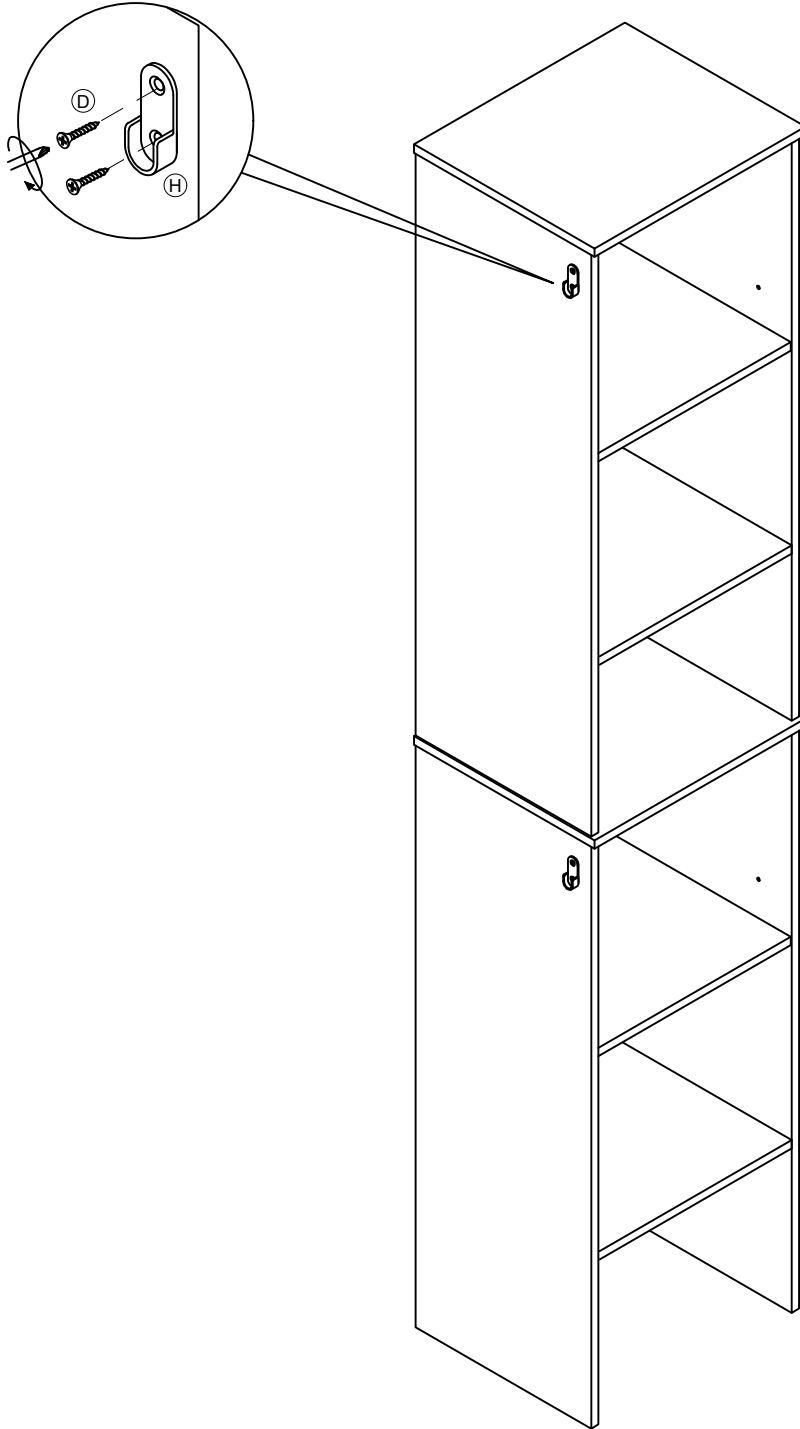
1 x 8





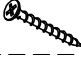
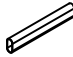
Step 12

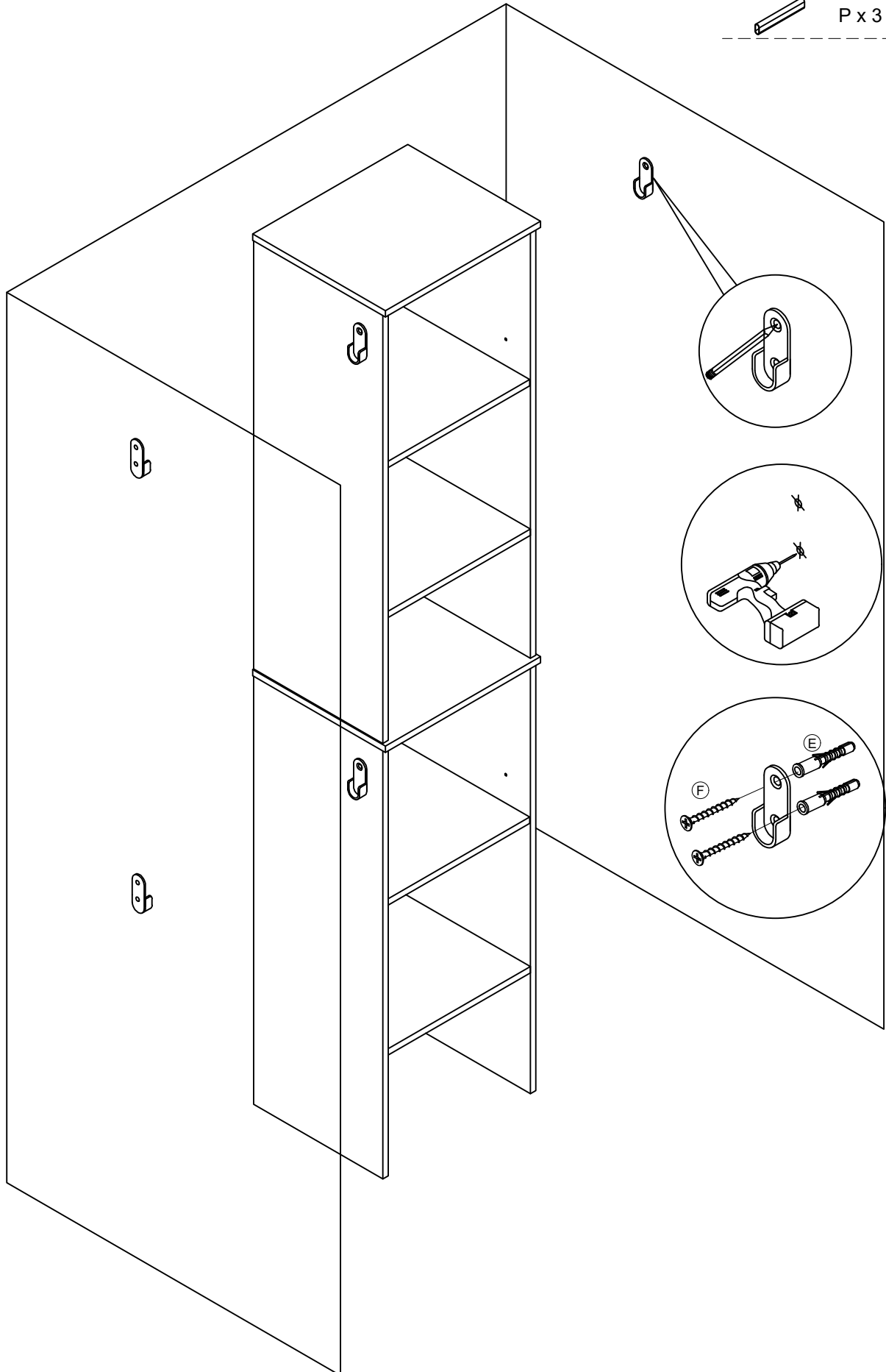


3 Hanging clothes pole base

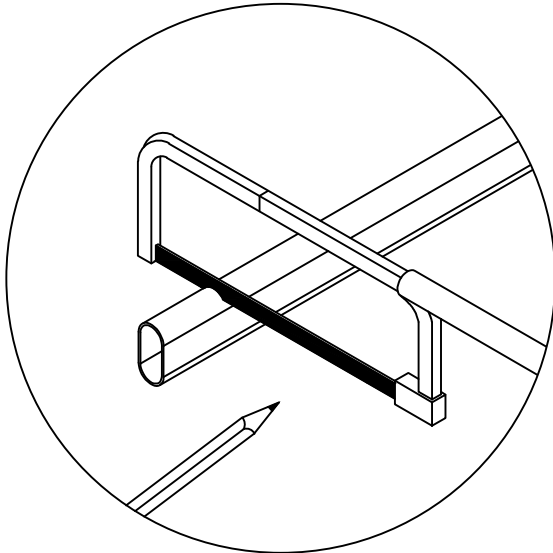
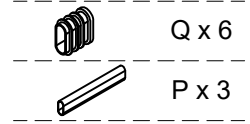


Step 13

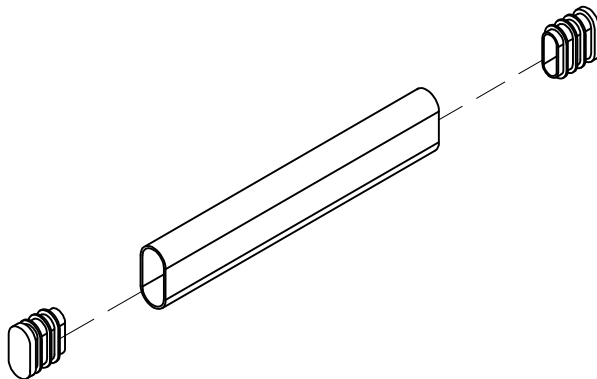
	H x 3
	E x 6
	F x 6
	P x 3



Step 14



Cut rods to correct length with a hacksaw, if necessary.



Step 15

