

4

3

2

1

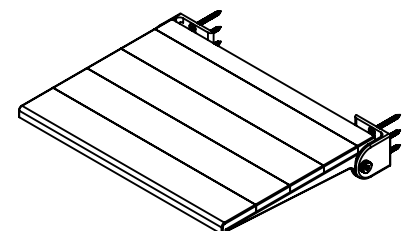
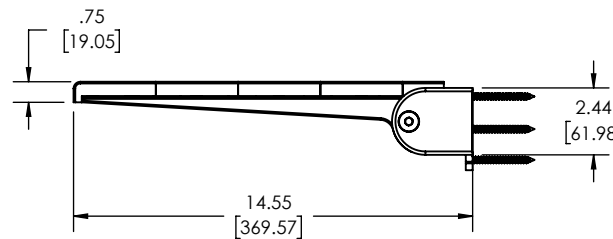
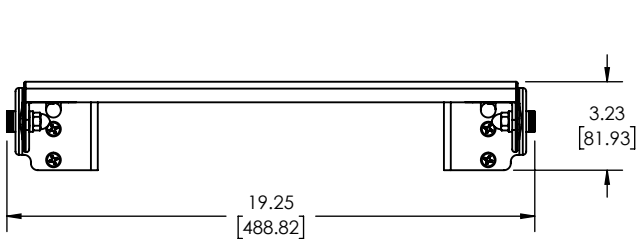
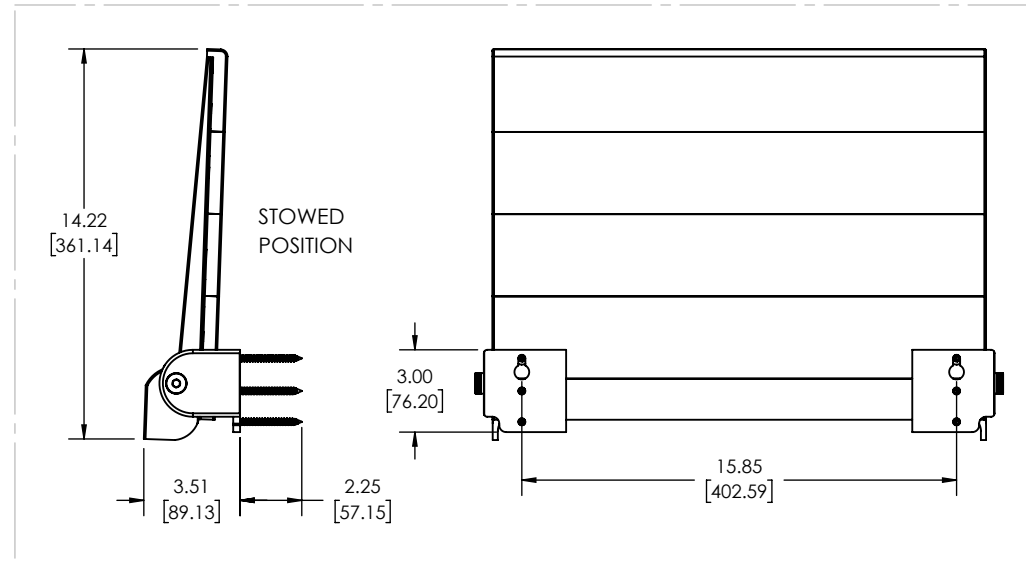
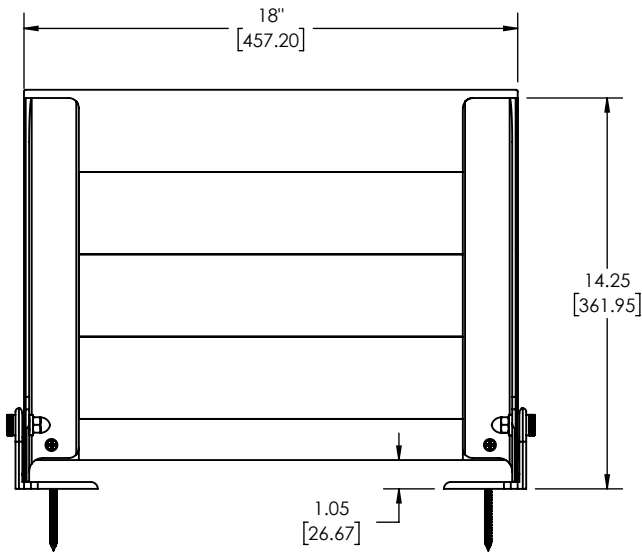
NOTES: UNLESS OTHERWISE SPECIFIED

1. DIMENSIONS IN BRACKETS [] ARE MILLIMETERS, FOR REFERENCE ONLY.

**CUSTOMER SPECIFICATION
DRAWING**

REVISIONS

REV.	DESCRIPTION	DATE	APPROVED
-	PRODUCTION RELEASE	12JAN23	A. B.



PRODUCT SPECIFICATION

-CLIENT: NA
-MATERIAL: NA

-AVAILABLE FINISHES

-POWDER COAT

- 1. ALMOND
- 2. WHITE
- 3. MATTE BLACK
- 4. SILVER
- 5. REFERENCE PRICE BOOK FOR ADDITIONAL OPTIONS

-HARDWARE PACKAGE INCLUDES:

- 1. #14X2.5" 5/32" HEX DRIVE 18-8 (\$-4500-110314 QTY 2)
- 3. 5/32" HEX KEY (\$-4500-120447 QTY 1)
- 2. #14X2.5" PHIL. DRIVE 18-8 (\$-4500-120456 QTY 4)

COMPLETE PART NUMBER: (EXAMPLE: SHAFSL-185155-TWA-SS)

- PS - POLISHED STAINLESS
- SS - SATIN STAINLESS
- MB - MATTE BLACK

Proprietary & Confidential

This drawing and the information contained herein is the property of Seachrome Corporation and shall not be reproduced, copied, or disclosed in whole or in part, or used in manufacturing, or for any other purpose without the written permission of Seachrome Corporation.

INTERPRET GEOMETRIC TOLERANCING PER: ASME Y14.5-2009
 UNLESS OTHERWISE SPECIFIED:
 DIMENSIONS ARE IN INCHES [MM]
 TOLERANCES: DECIMALS
 FRACTIONAL ±1/64 .X ±0.1
 ANGLES ±1° .XX ±0.02

DRAWN A. BACA 11JAN23
 ENG APPR. [Signature] 12JAN23



TITLE: SHOWER SEAT, SILHOUETTE SLIMLINE, AFROMOSIA

DWG. NO. SHAFSL-185155-TWA REV -
 SIZE A DO NOT SCALE DRAWING SCALE: 1:12 SHEET 1

4

3

2

1