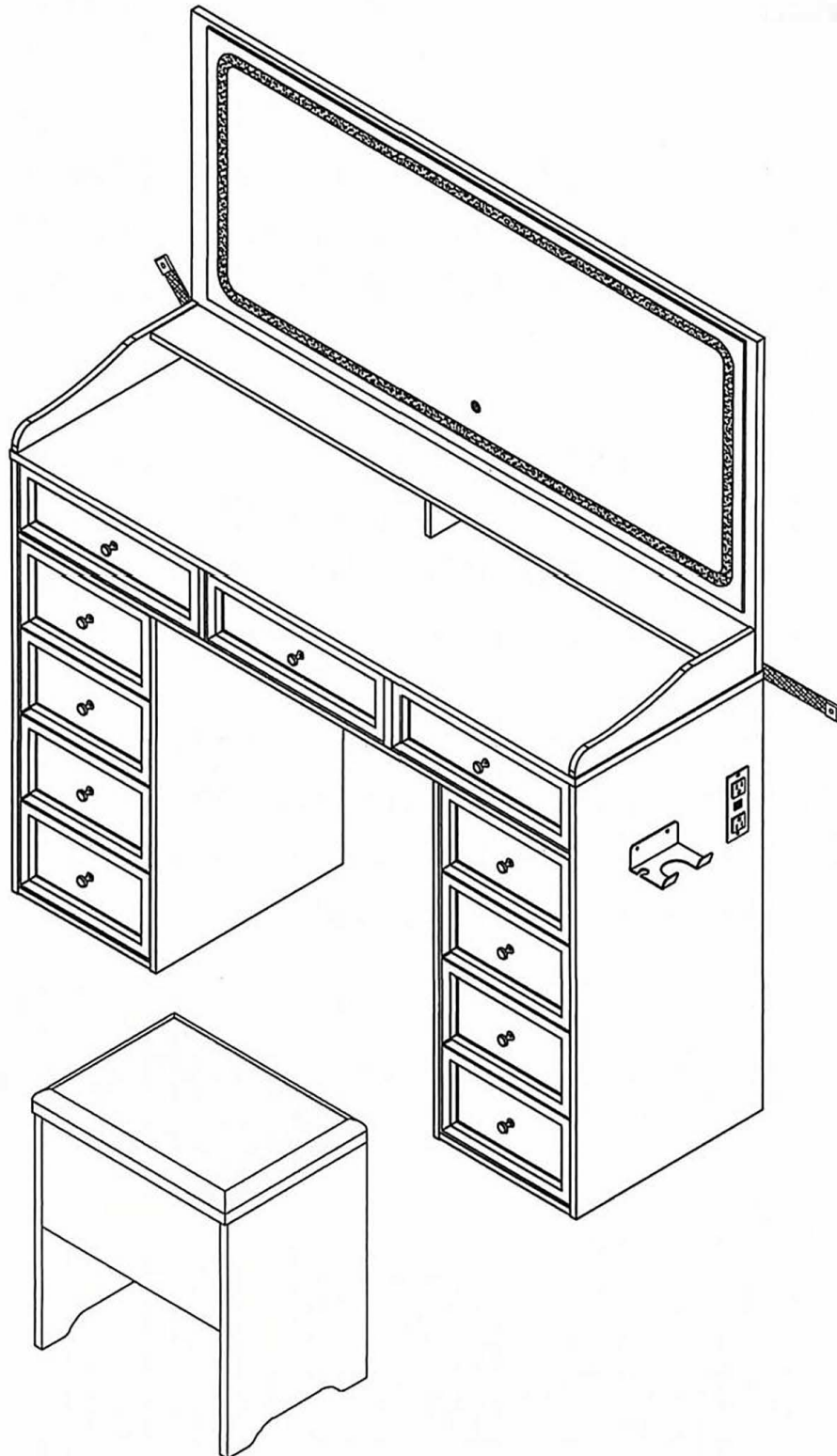


# Installation Instruction

Please don't tighten the screws completely and go back later for a final tightening of all the screws after pieces are aligned with each other.

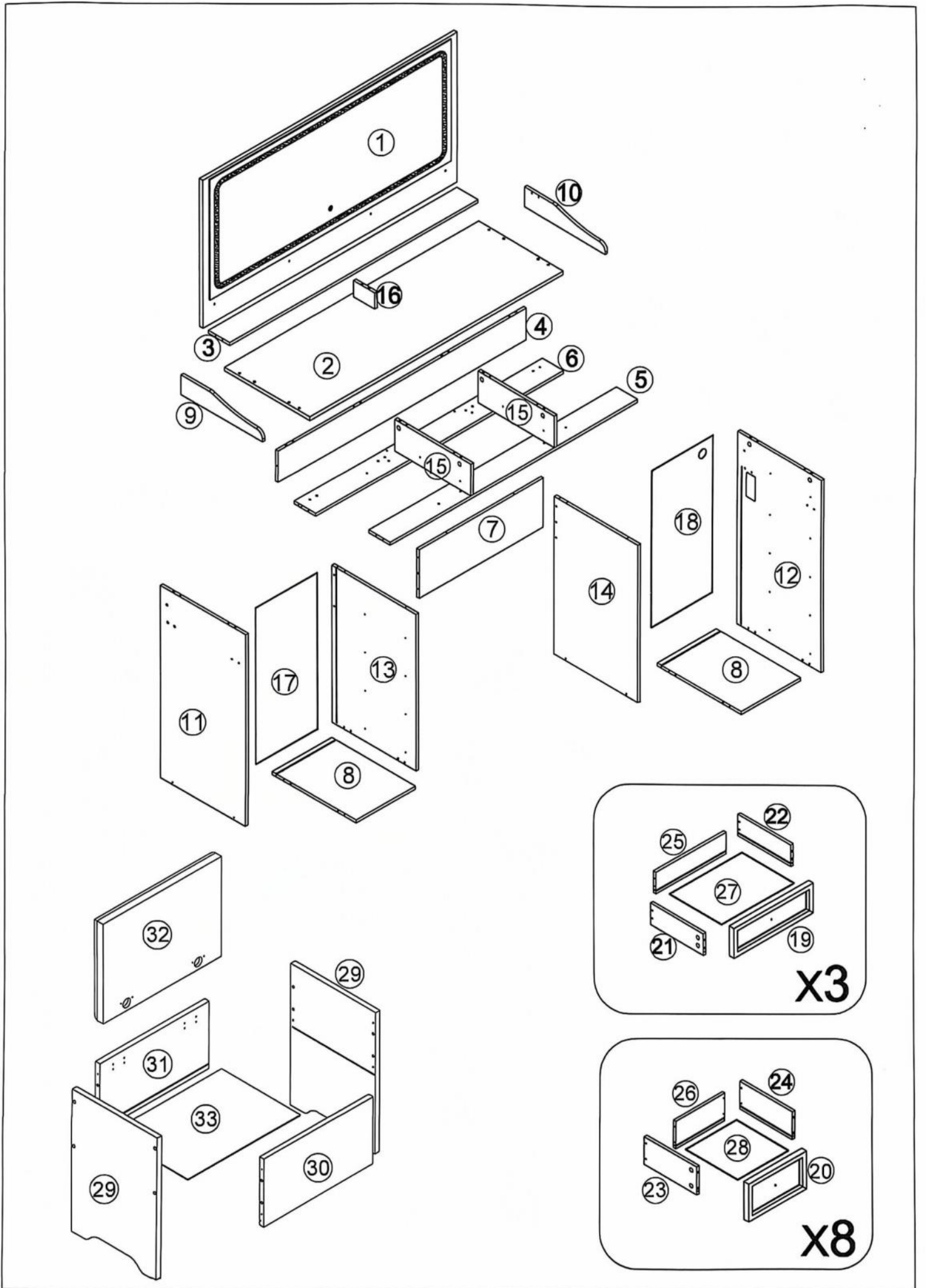


Please carefully review the following precautions before proceeding with the installation:

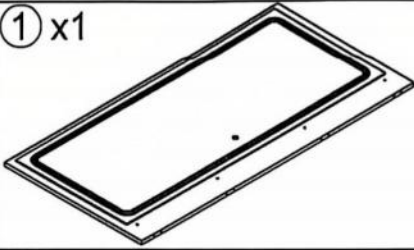
1. The installation process for this product is complex, and it is highly recommended to have at least two individuals working together during the installation.
2. Prior to each step, please refer to the screw hole positions to ensure that the board is aligned correctly according to the images provided in the instruction manual. This will help prevent any errors.
3. In case power tools are used for installation, it is important to tighten the screws intermittently rather than applying excessive force continuously. This precaution will help avoid potential cracks around the screw holes.
4. If you encounter any difficulties or issues during the assembly process, please don't hesitate to reach out to us via email or message. We assure you that we will address your concerns and provide a solution within 24 hours.

Thank you for your attention to these important instructions.

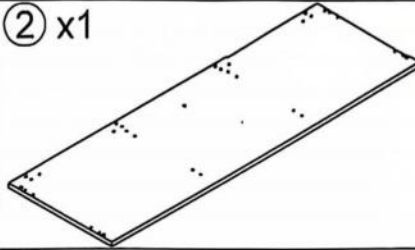




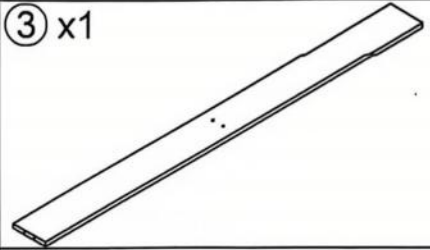
① x1



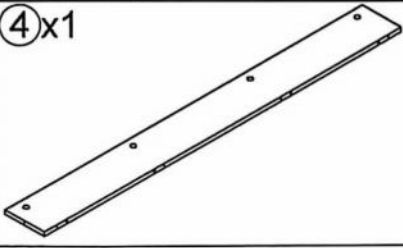
② x1



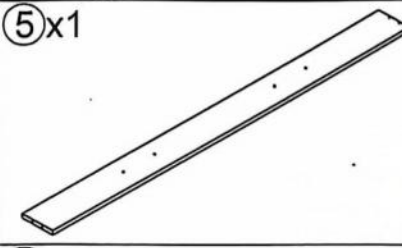
③ x1



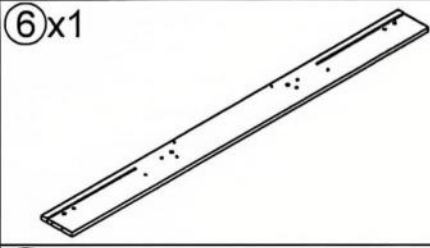
④ x1



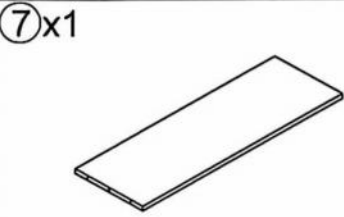
⑤ x1



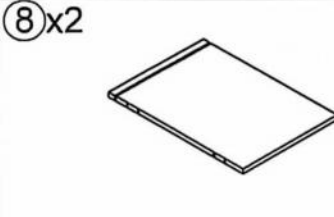
⑥ x1



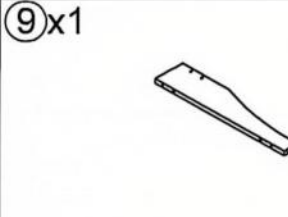
⑦ x1



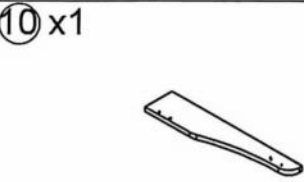
⑧ x2



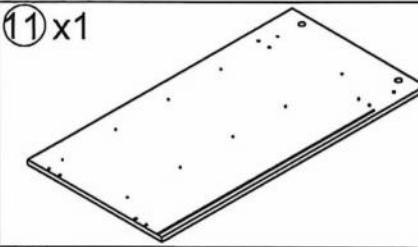
⑨ x1



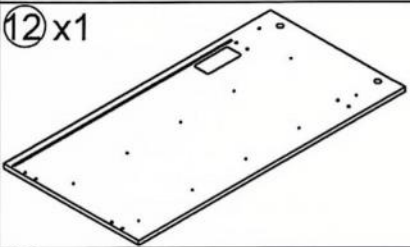
⑩ x1



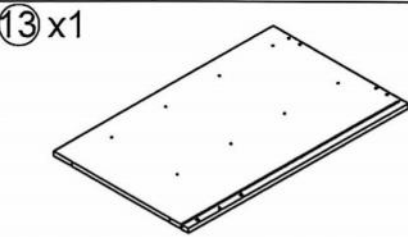
⑪ x1



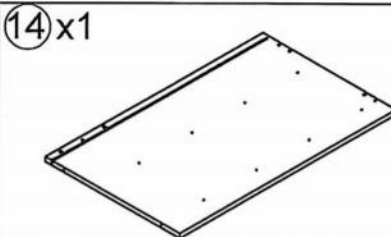
⑫ x1



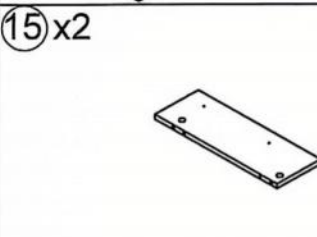
⑬ x1



⑭ x1



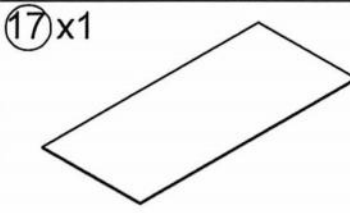
⑮ x2



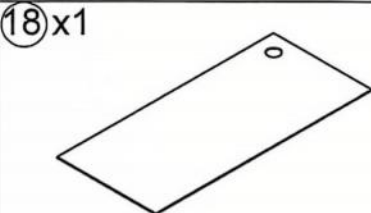
⑯ x1



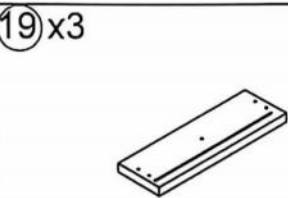
⑰ x1



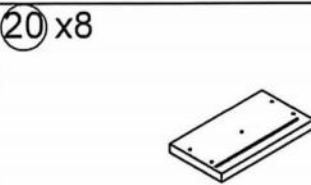
⑱ x1



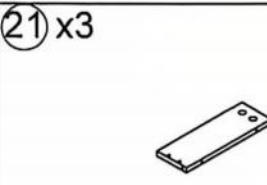
⑲ x3



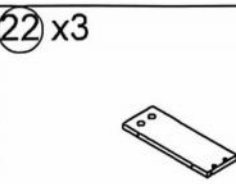
⑳ x8



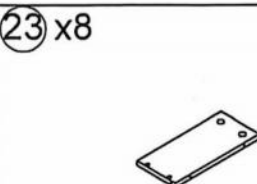
㉑ x3



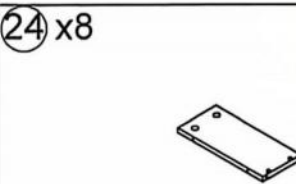
㉒ x3


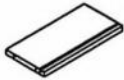
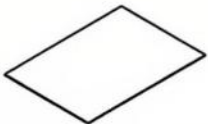
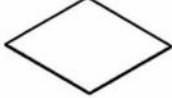
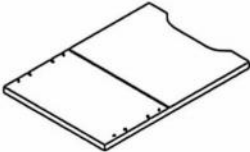
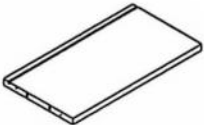
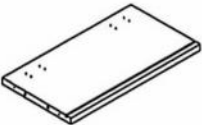
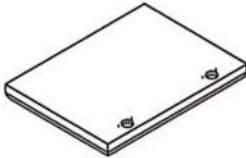
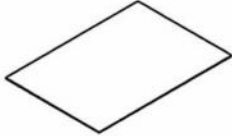


㉓ x8




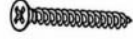






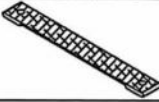













㉔ x8

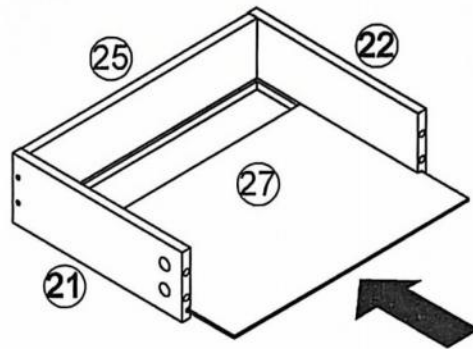
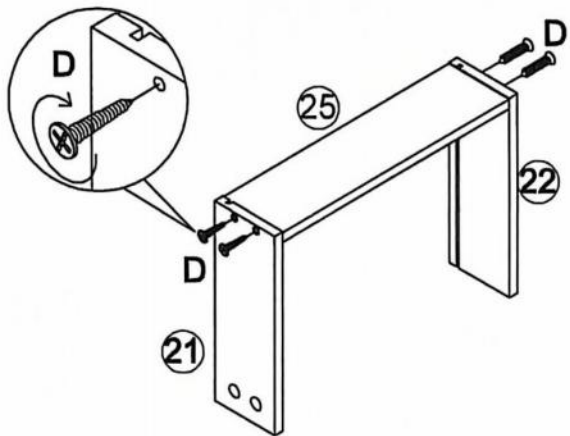


25 x3 	26 x8 	27 x3 
28 x8 	29 x2 	30 x1 
31 x1 	32 x1 	33 x1 

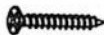
## Hardware

A x57 +2(spare)  Ø6x32mm	B x57 +2(spare)  Ø15x10mm	C x44 +3(spare)  Ø6x30mm	D x107 +3(spare)  Ø4x35mm	E x104 +3(spare)  Ø3.5x12mm	F x30  Ø20mm
G x11 	H x11  Ø4x16mm	I x1 	J x1 	K x2 	L1 x2  Ø4x14mm
L2 x2  Ø6x30mm	M x1 	N x2 	O x1 	P x8 	Q x8  Ø3x16mm
CL x11  L250mm	CR x11  L250mm	DL x11  L250mm	DR x11  L250mm		

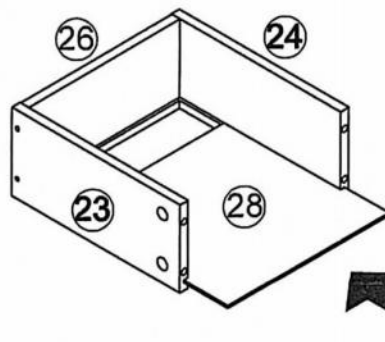
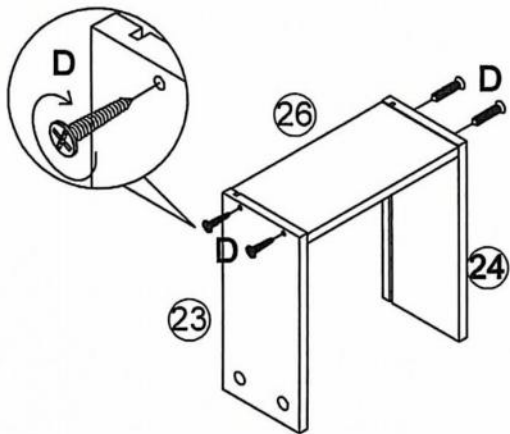
1




**x3**

D	x12
	
M4x35mm	

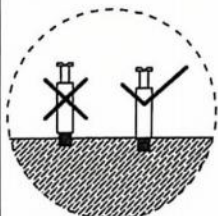
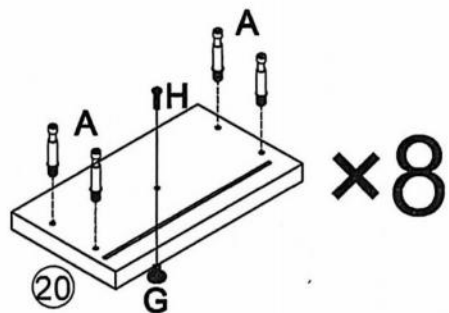
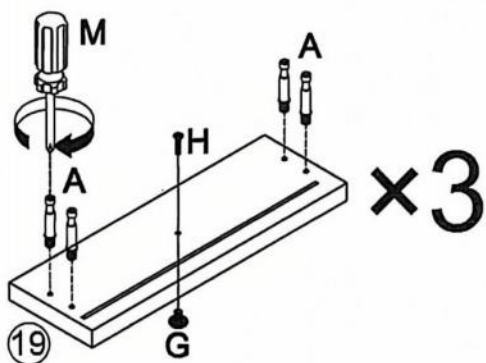
2





**x8**


D	x32
	
M4x35mm	

3

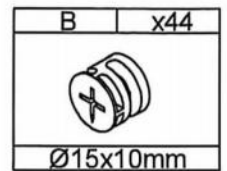
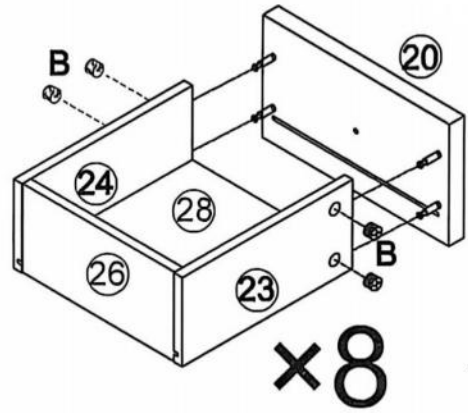
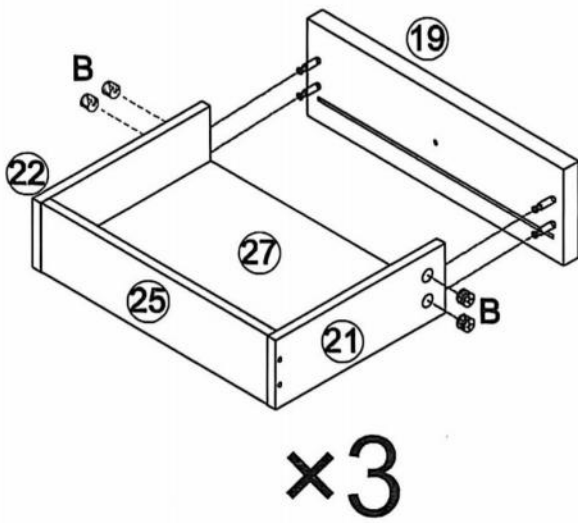


A	x44
	
Ø6.5x32mm	

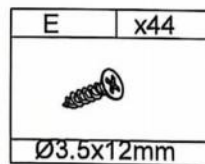
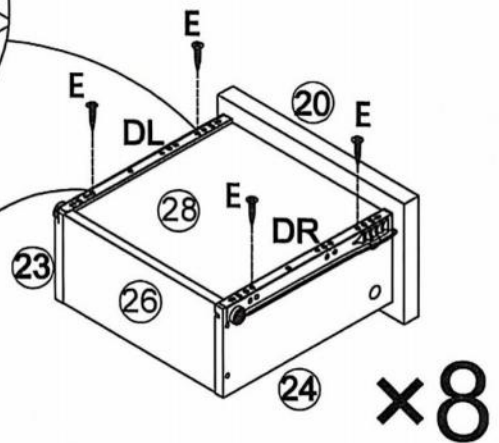
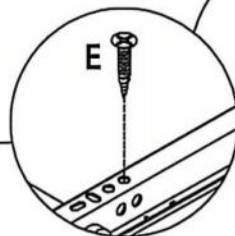
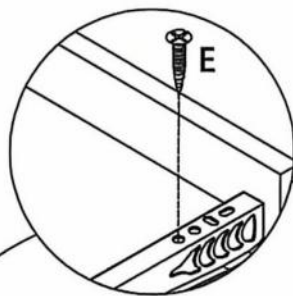
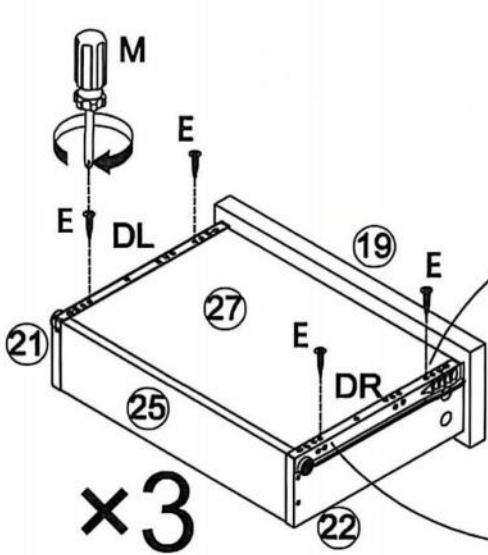
G	x11
	

H	x11
	
M4x16mm	

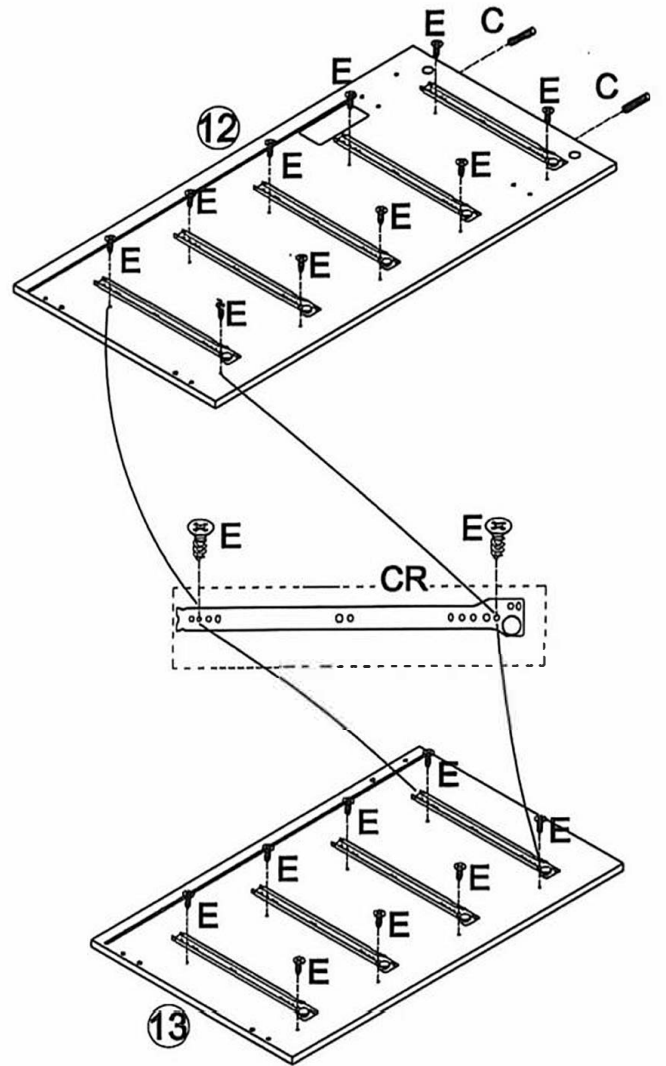
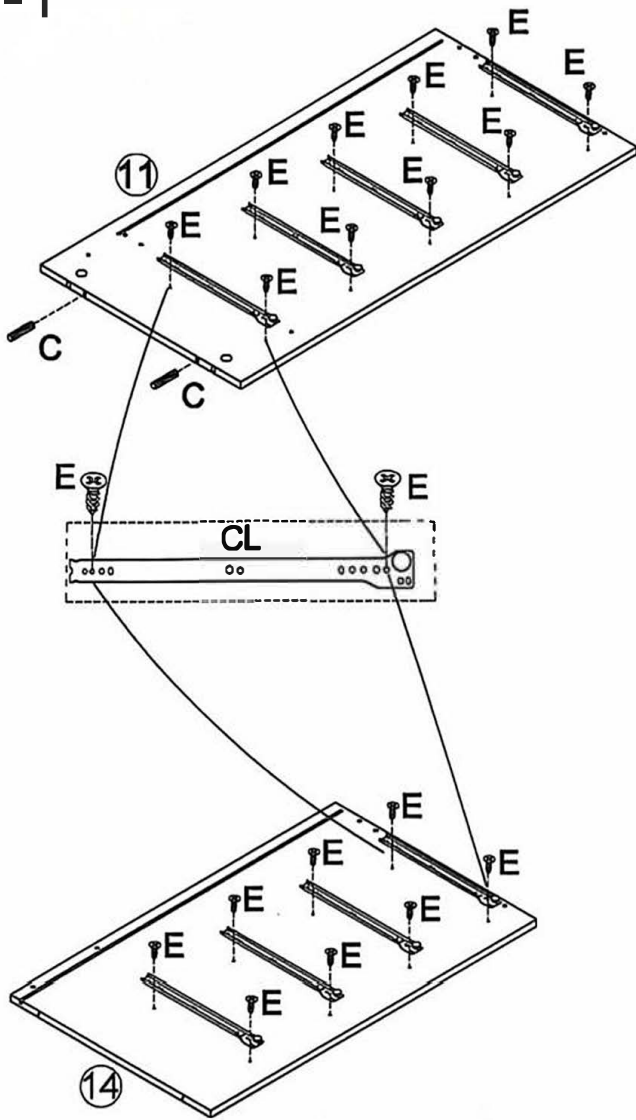
4





5

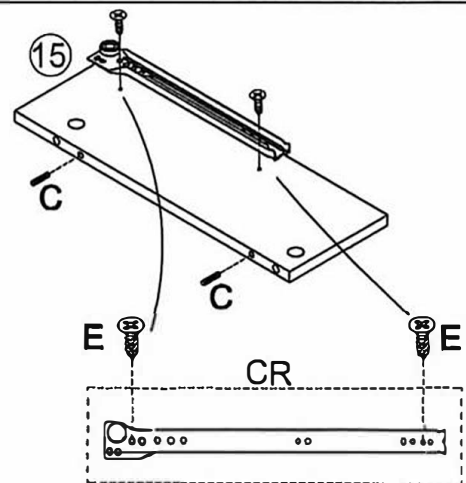
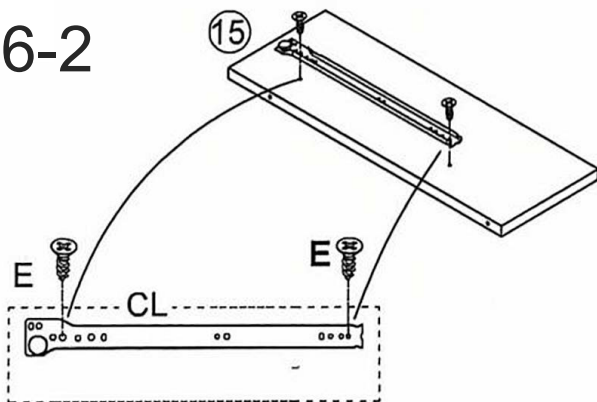


# 6-1





E	x36	C	x4
			
Ø3.5x12mm		Ø6x30mm	

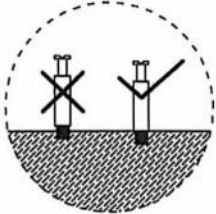
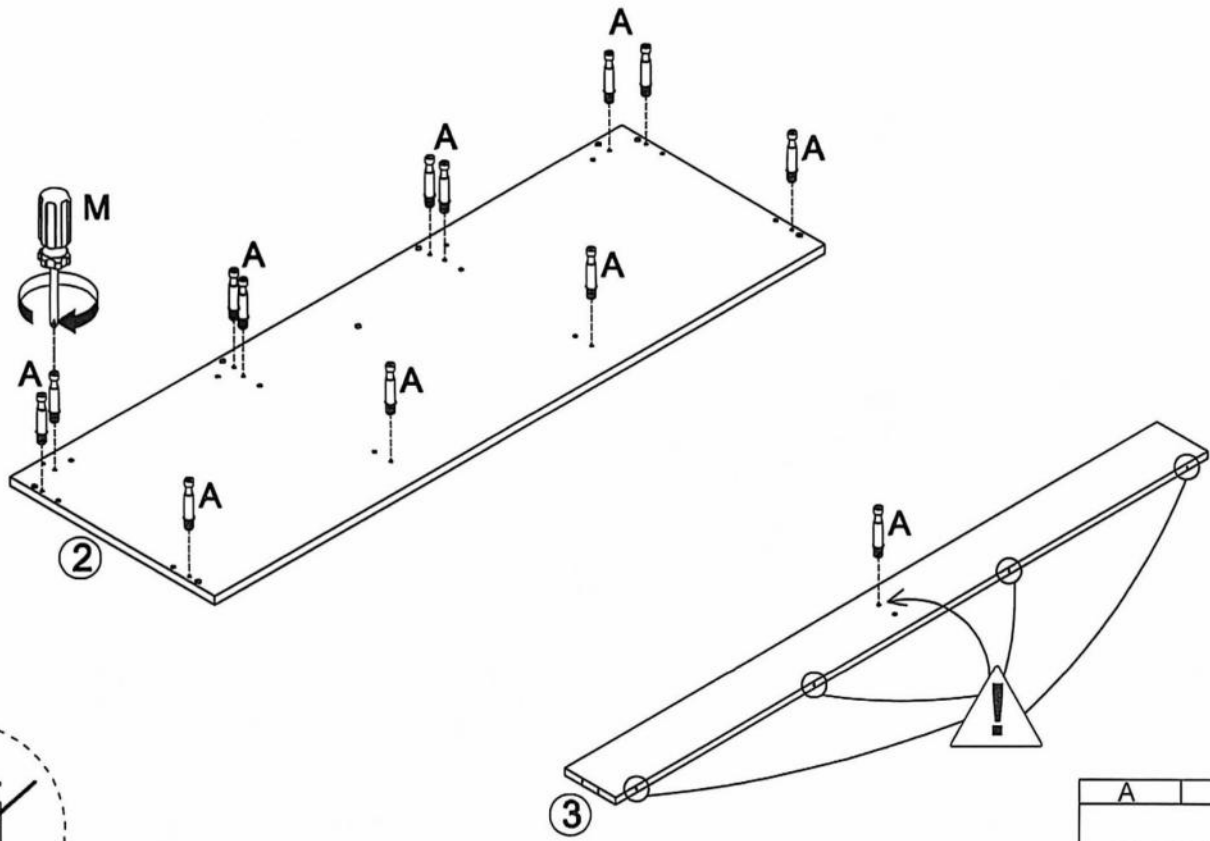
# 6-2

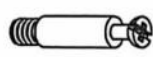


x2

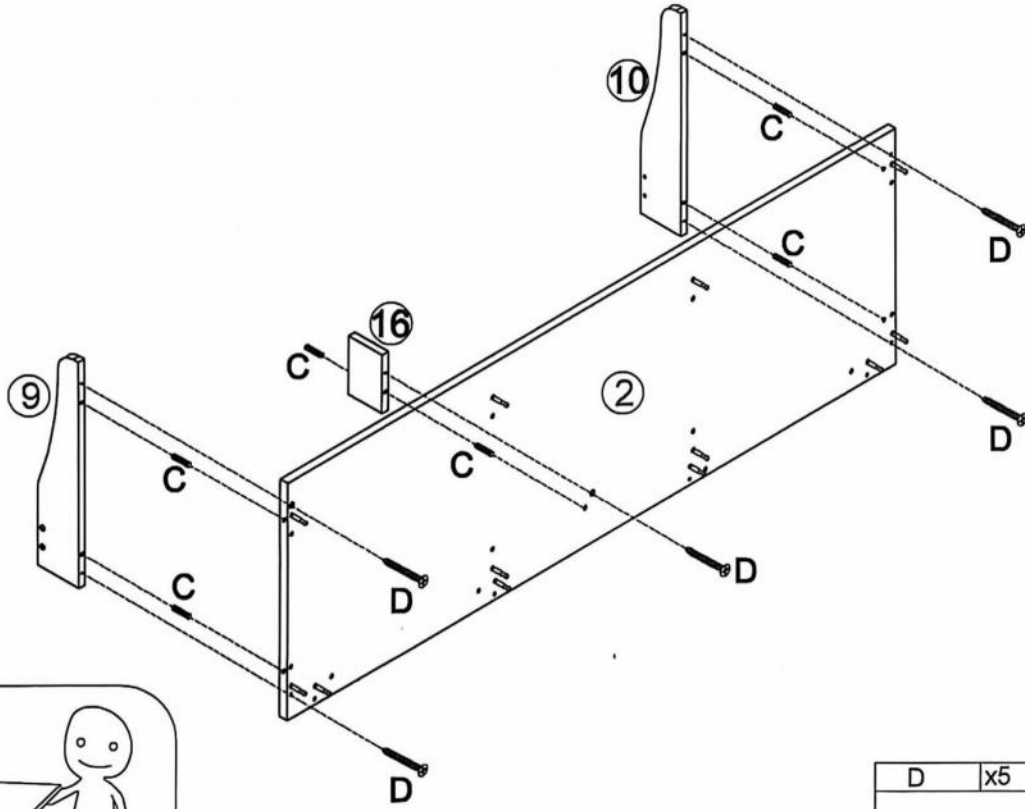
E	x8	C	x4
			
Ø3.5x12mm		Ø6x30mm	


7




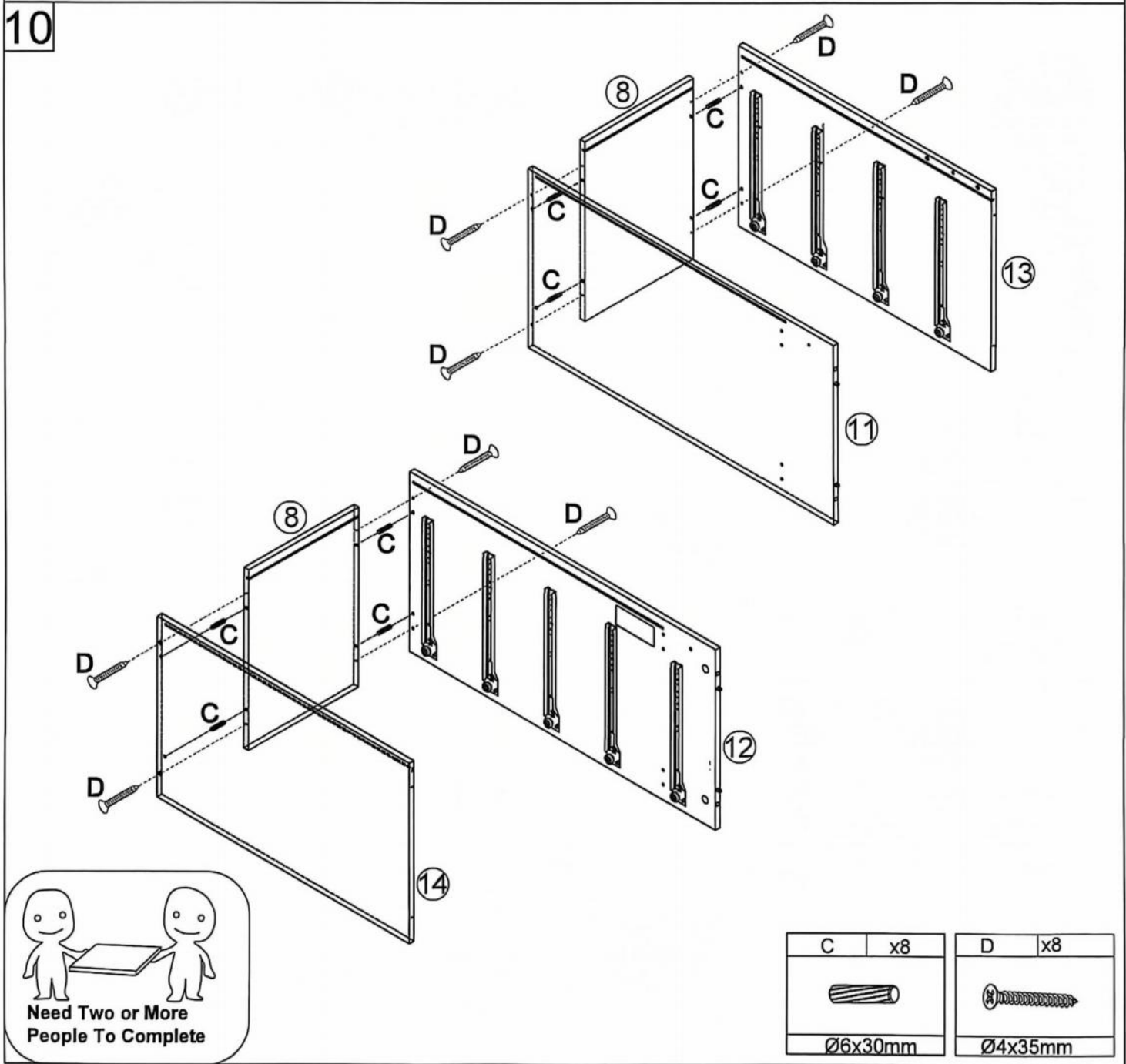
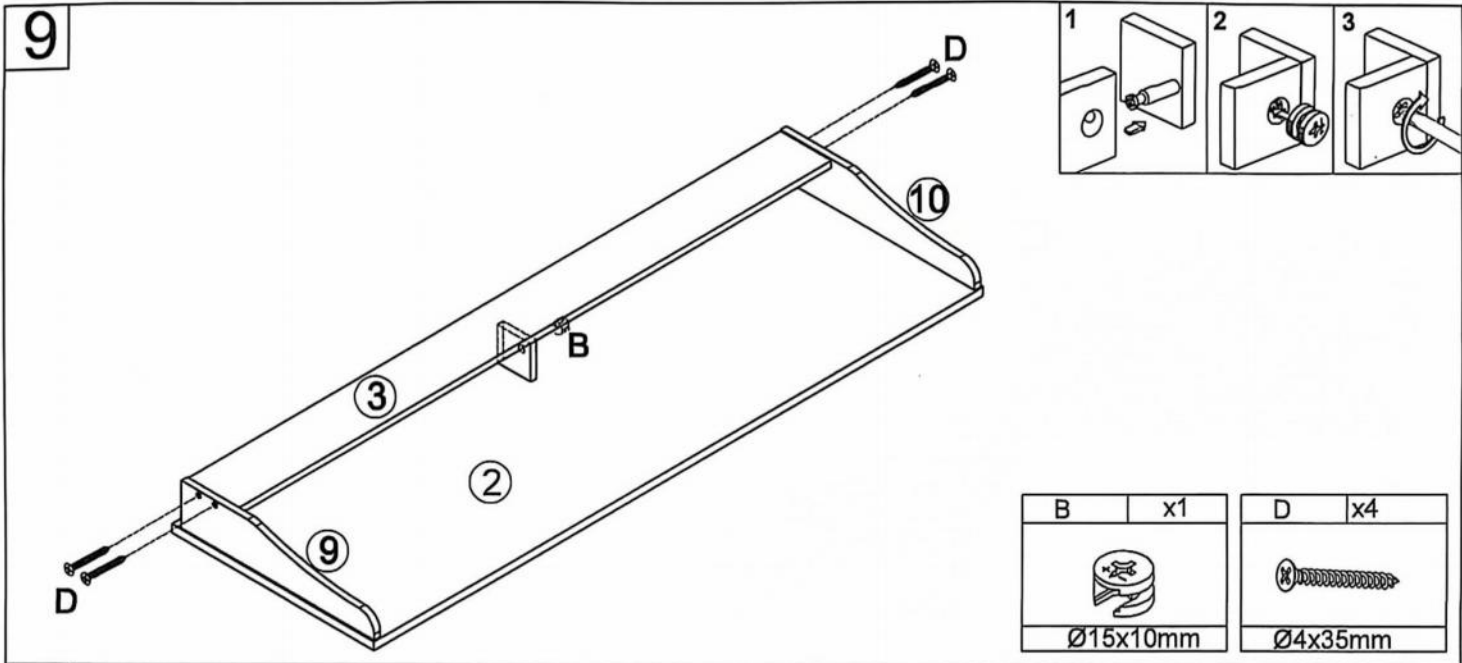
A	x13
	
$\text{Ø}6.5 \times 32\text{mm}$	

8

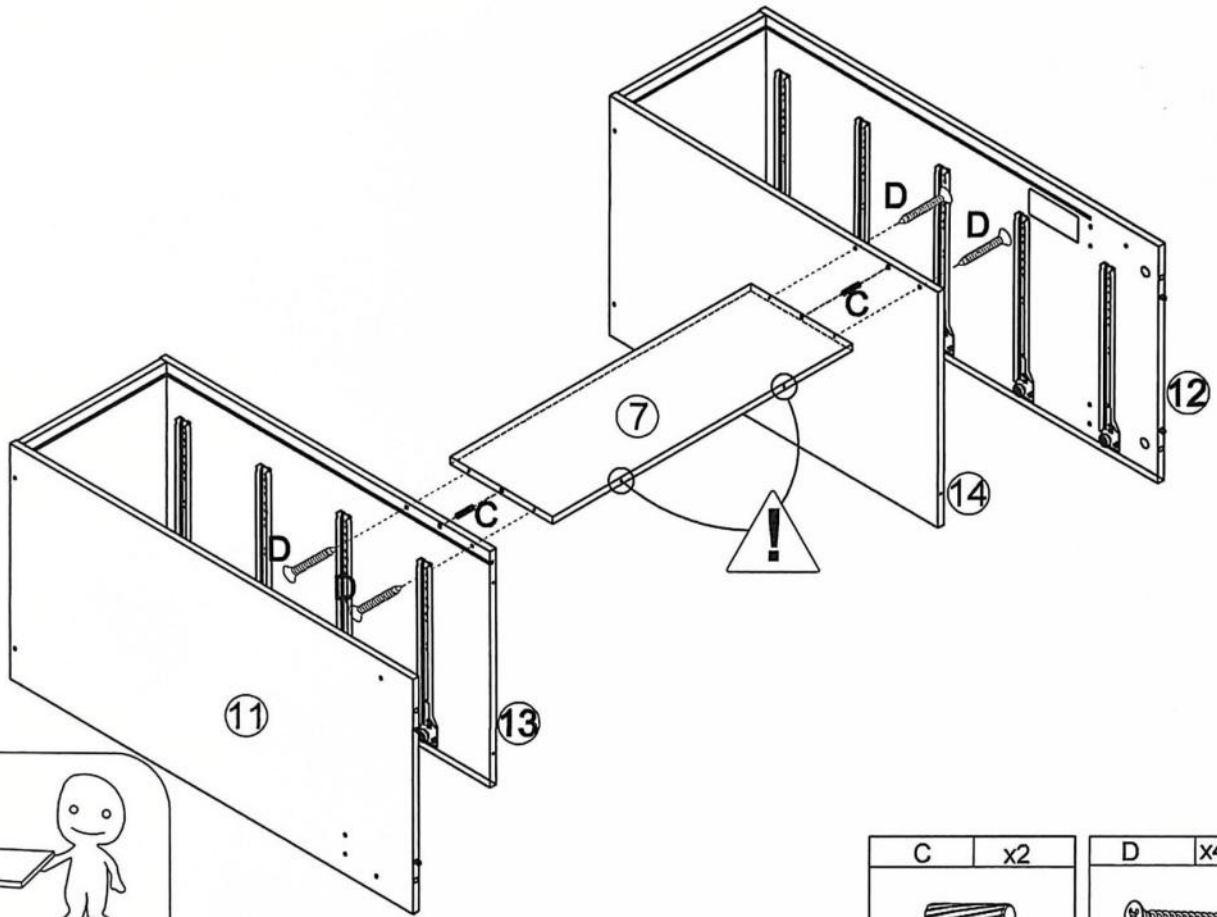



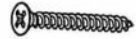
D	x5
	
$\text{Ø}4 \times 35\text{mm}$	

C	x6
	
$\text{Ø}6 \times 30\text{mm}$	

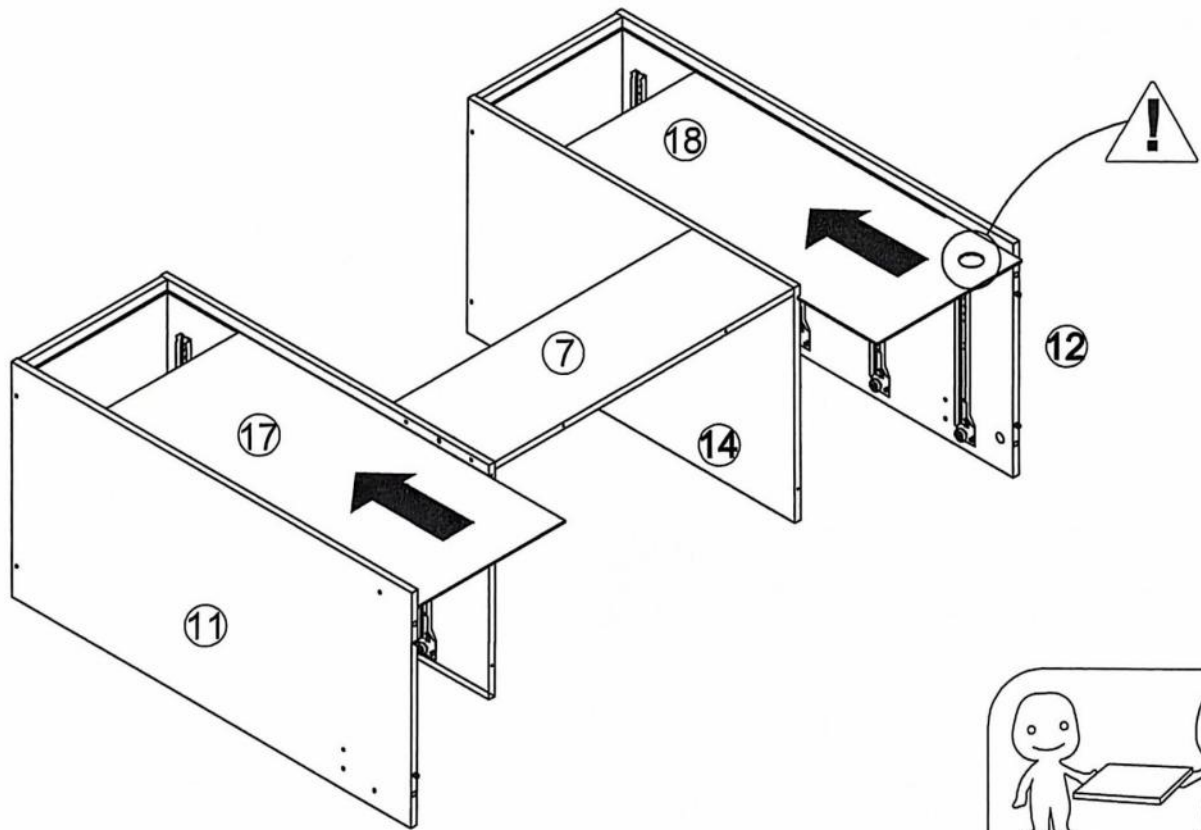


11

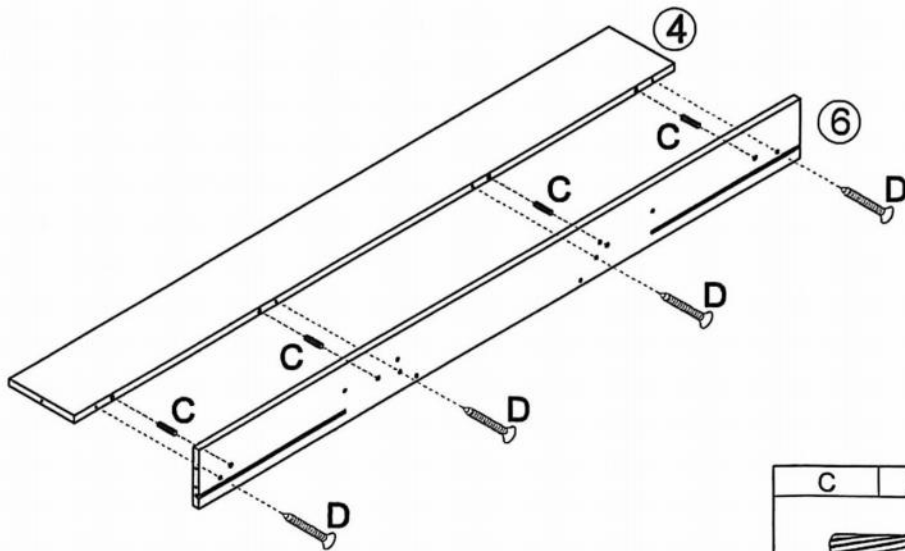




C	x2	D	x4
			
Ø6x30mm		Ø4x35mm	

12

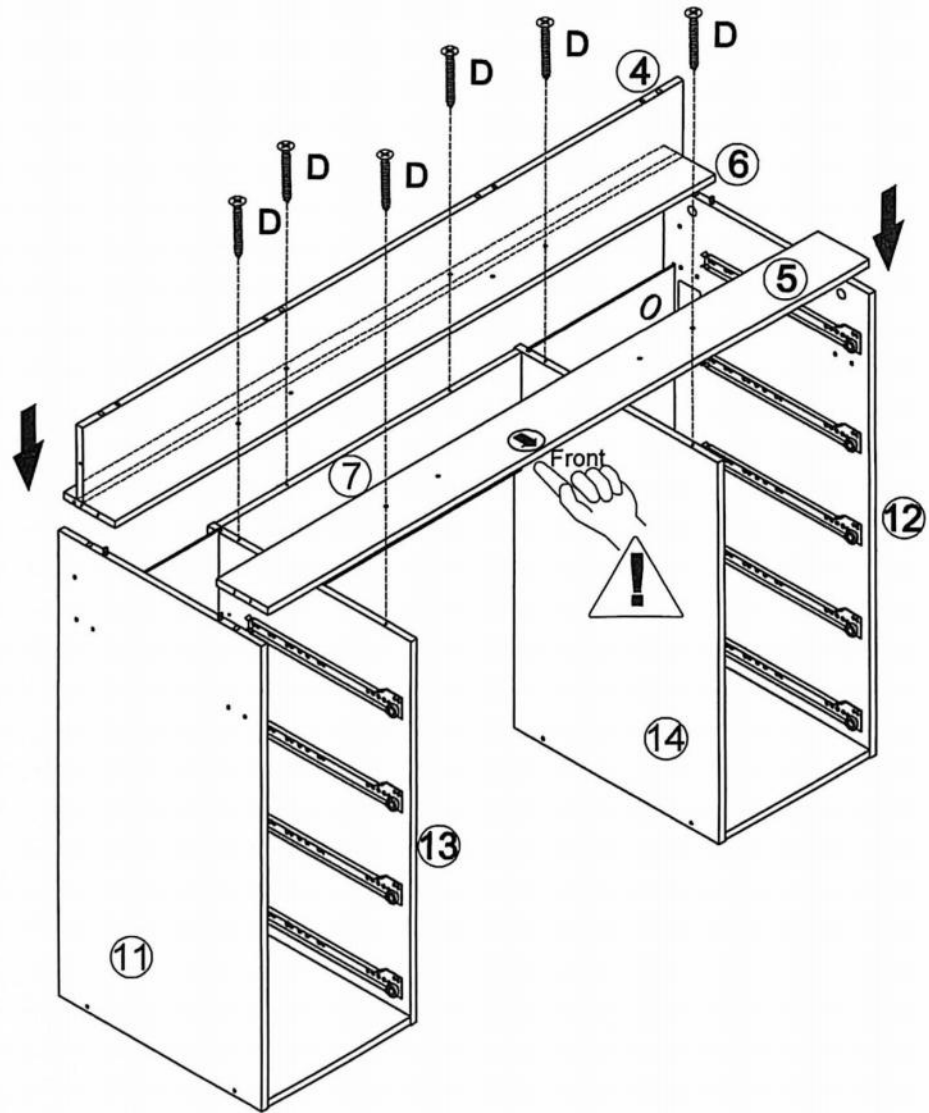


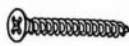
13



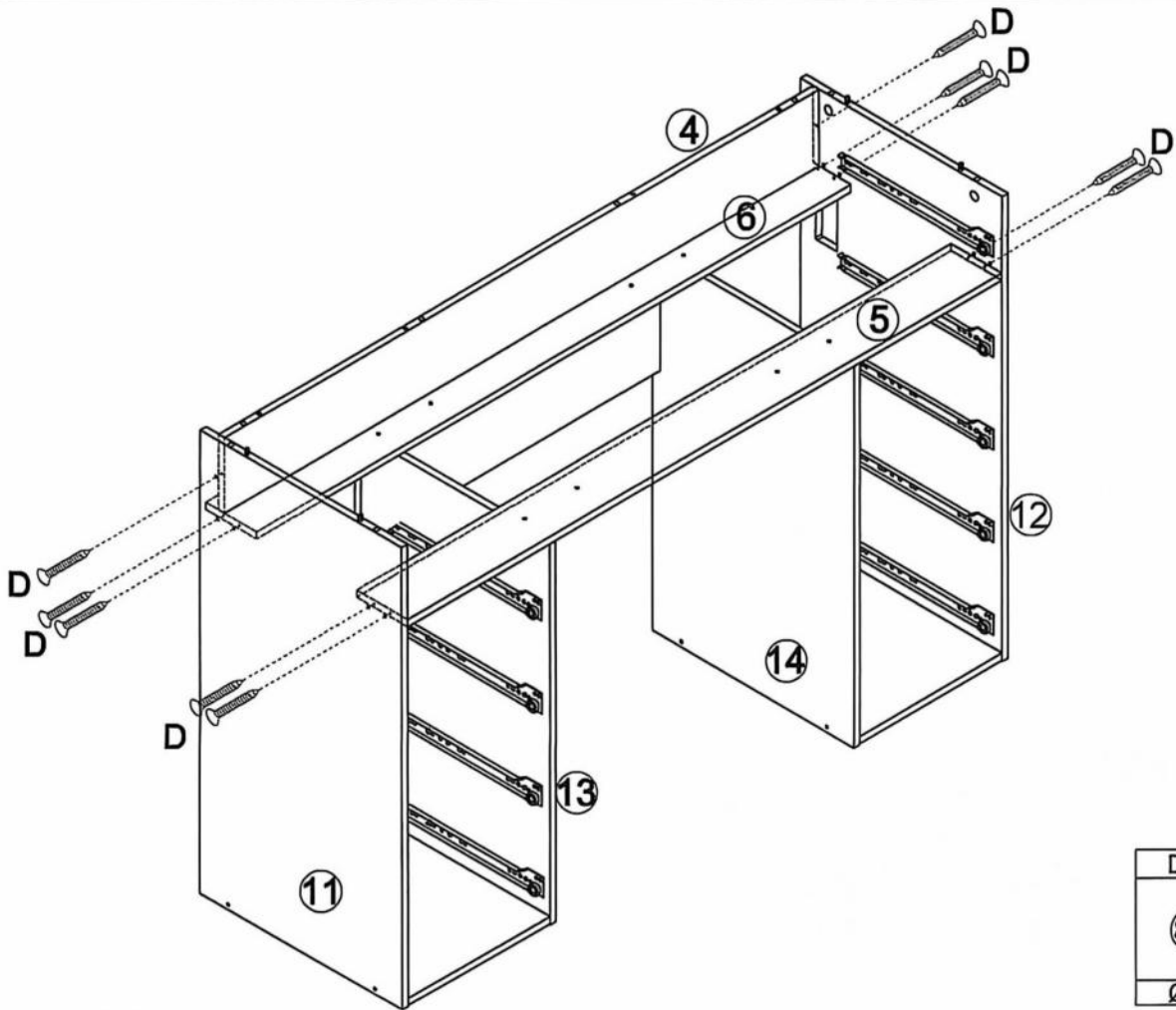
C	x4	D	x4
			
Ø6x30mm		Ø4x35mm	

14

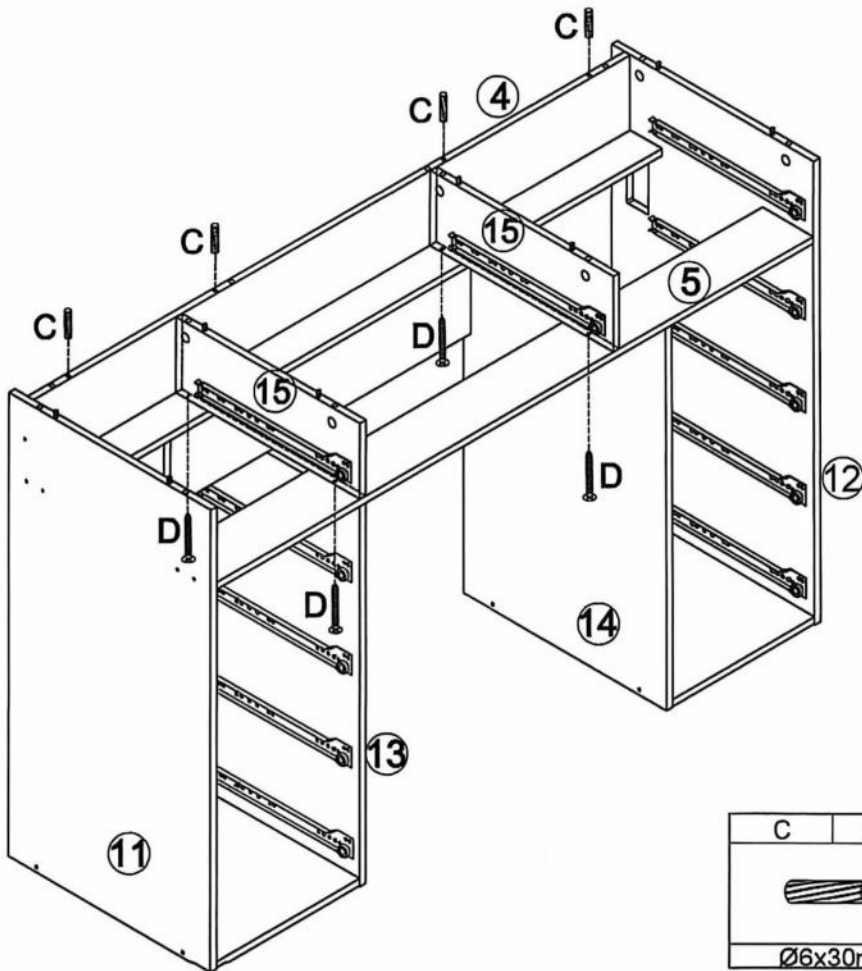


D	x6
	
Ø4x35mm	

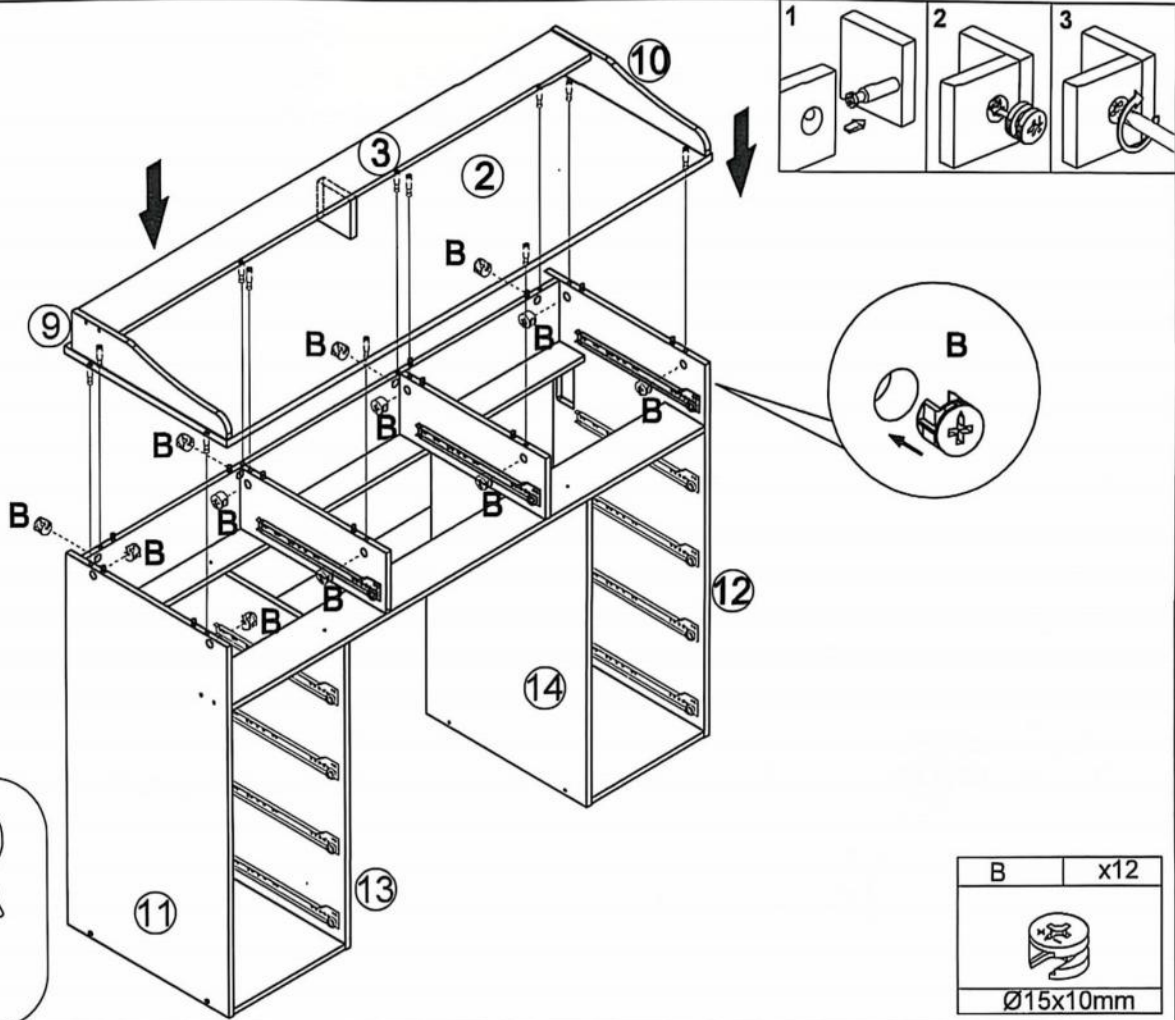
15



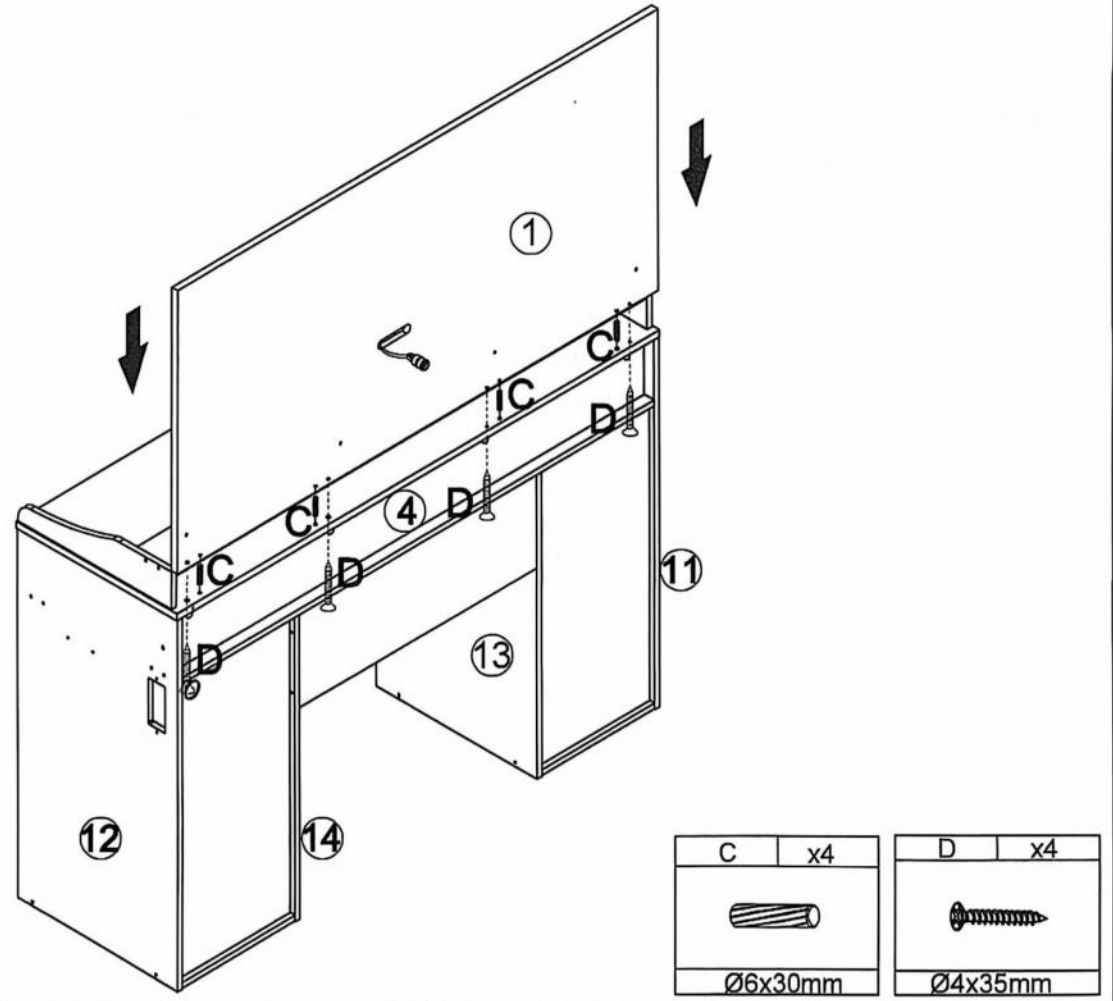
16



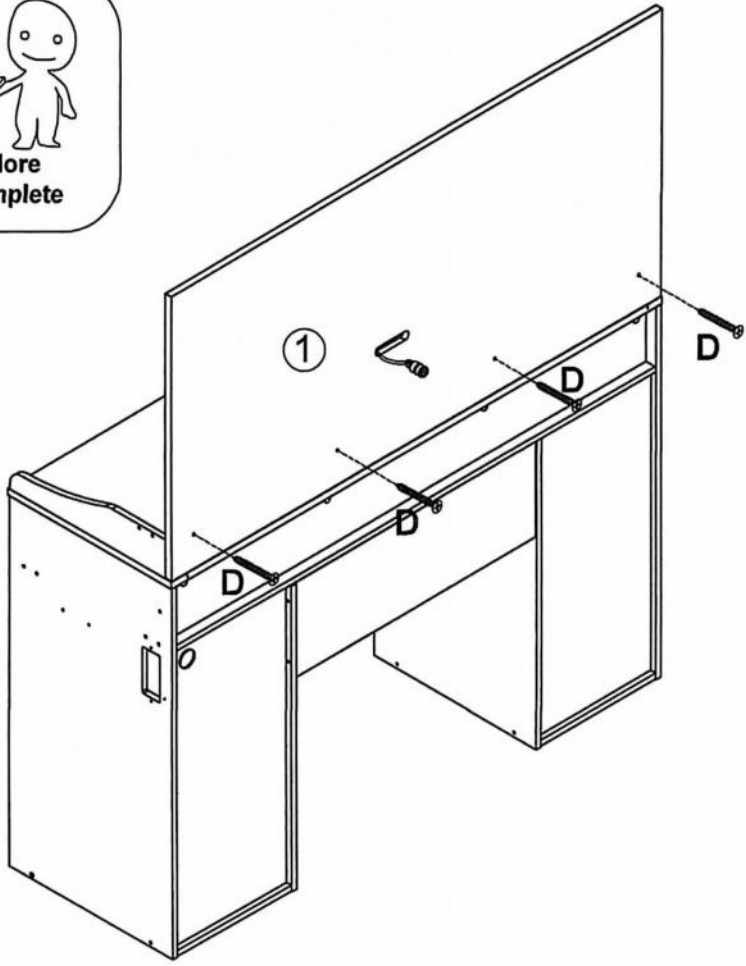
17

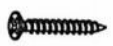


18

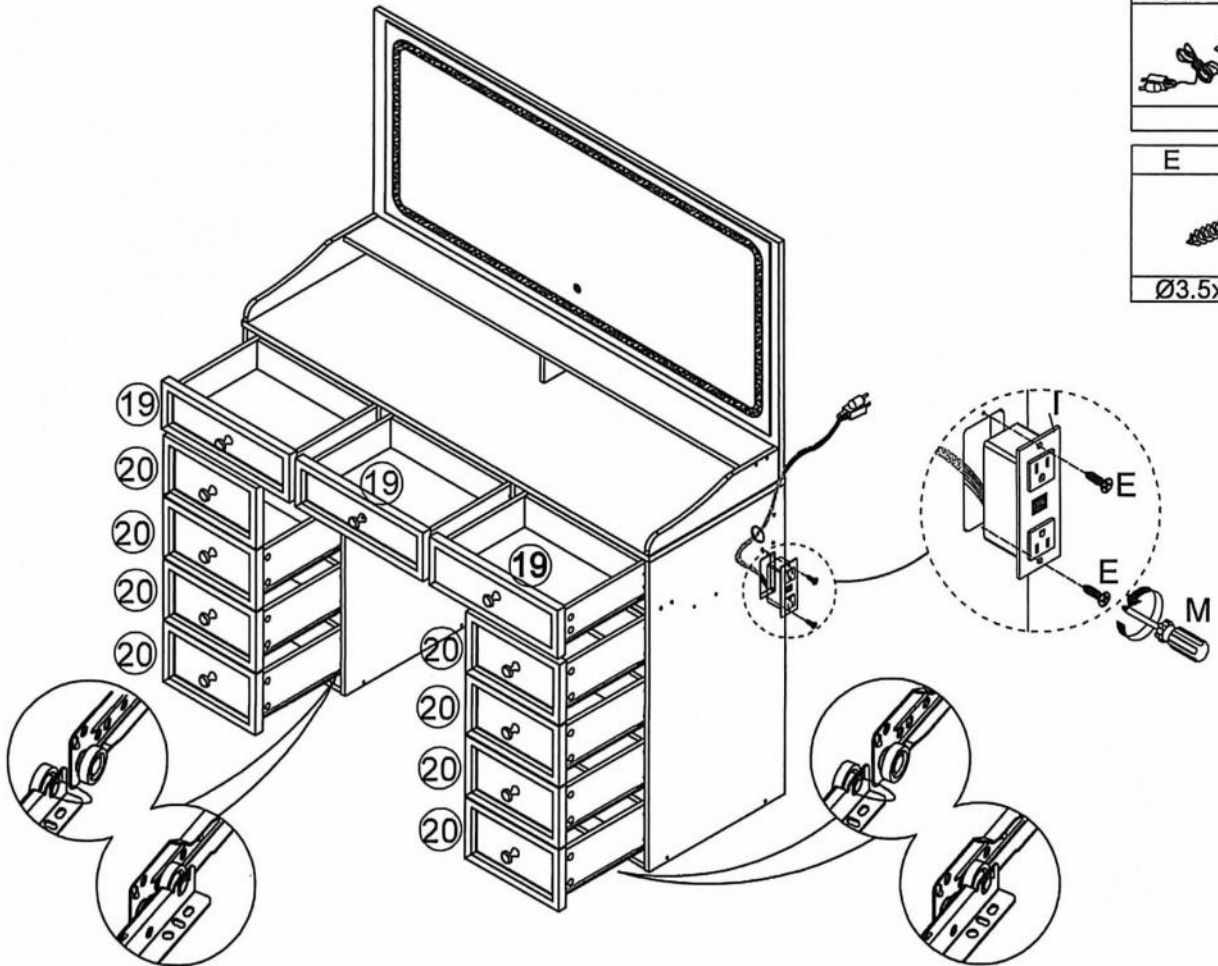



19




D	x4
	
Ø4x35mm	

20



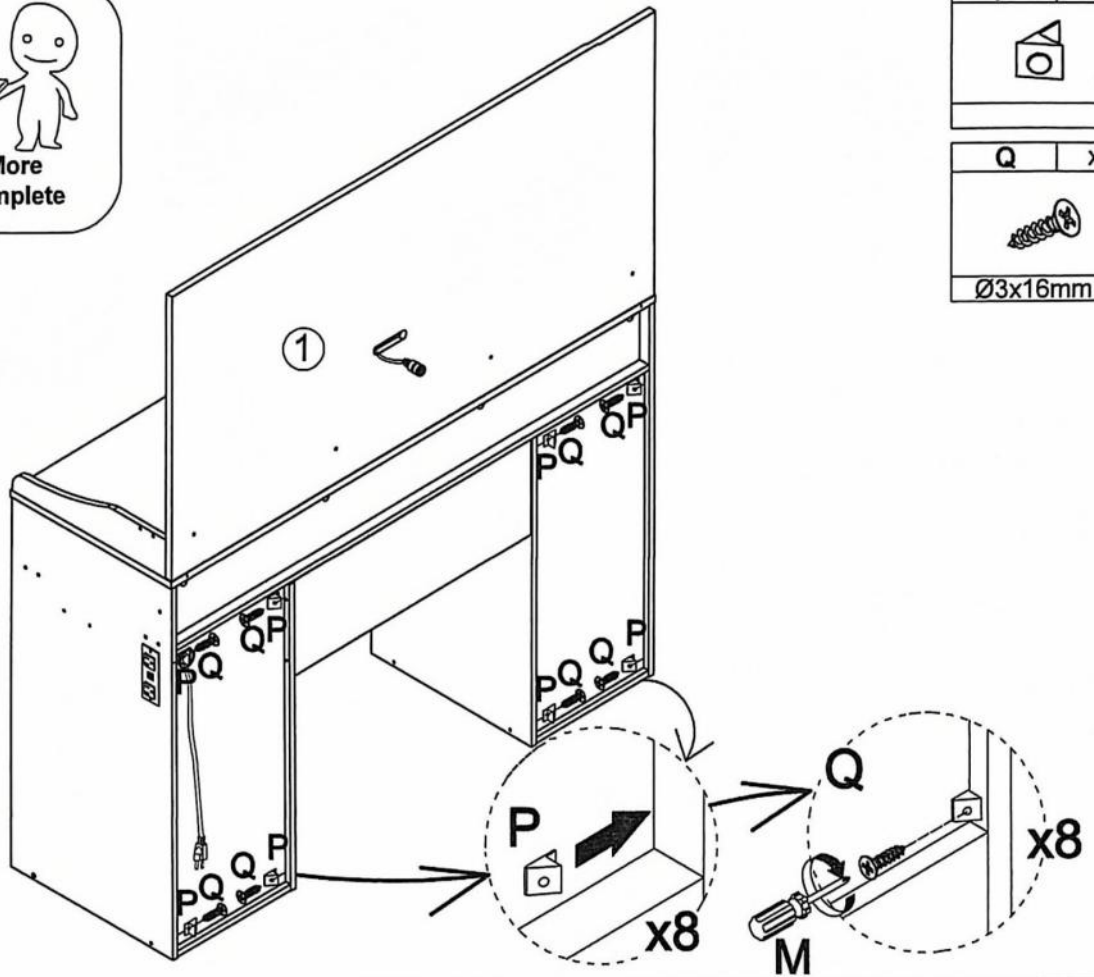
I	x1
	

E	x2
	
Ø3.5x12mm	

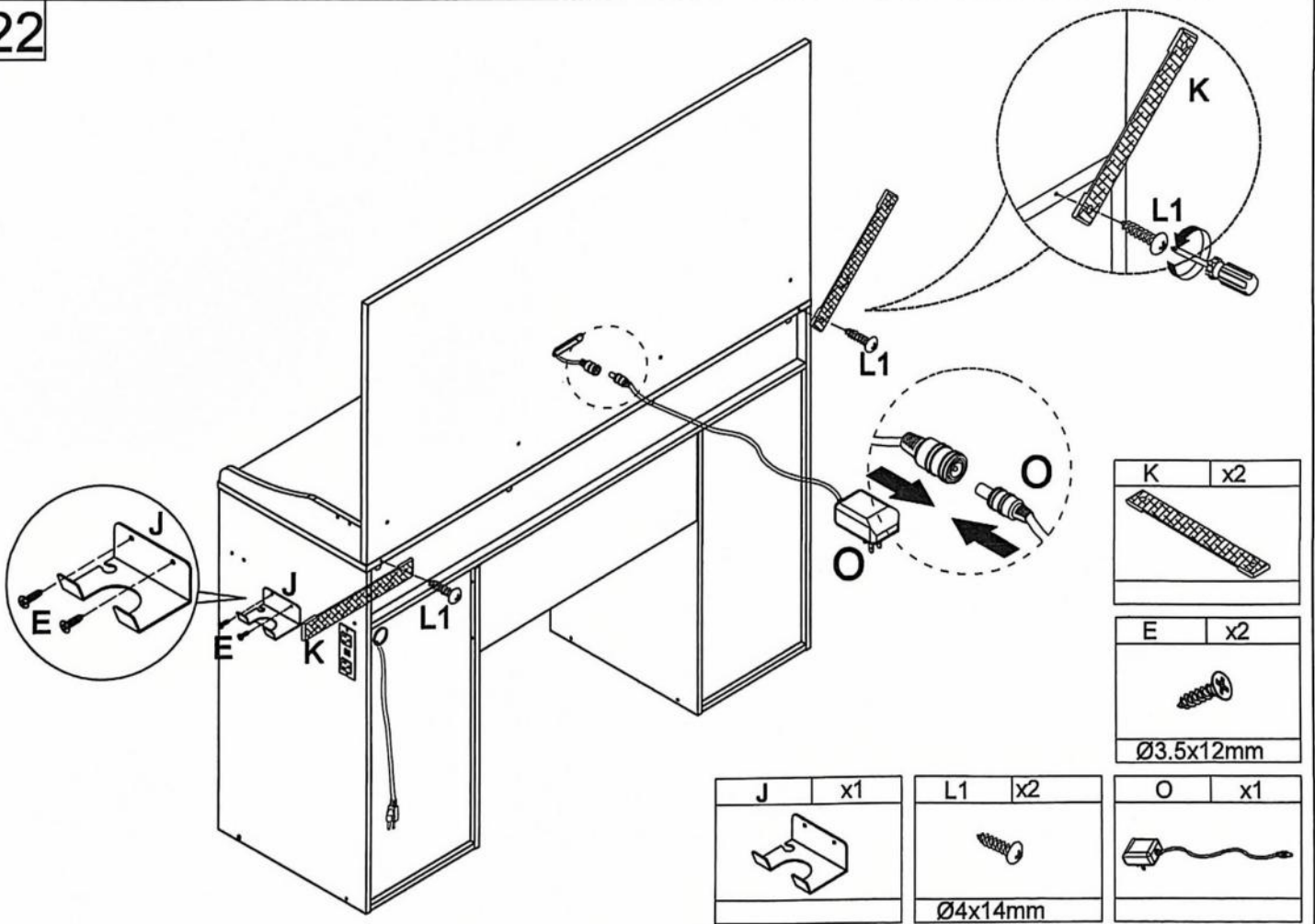
21



P	x8
Q	x8
Ø3x16mm	



22



K	x2

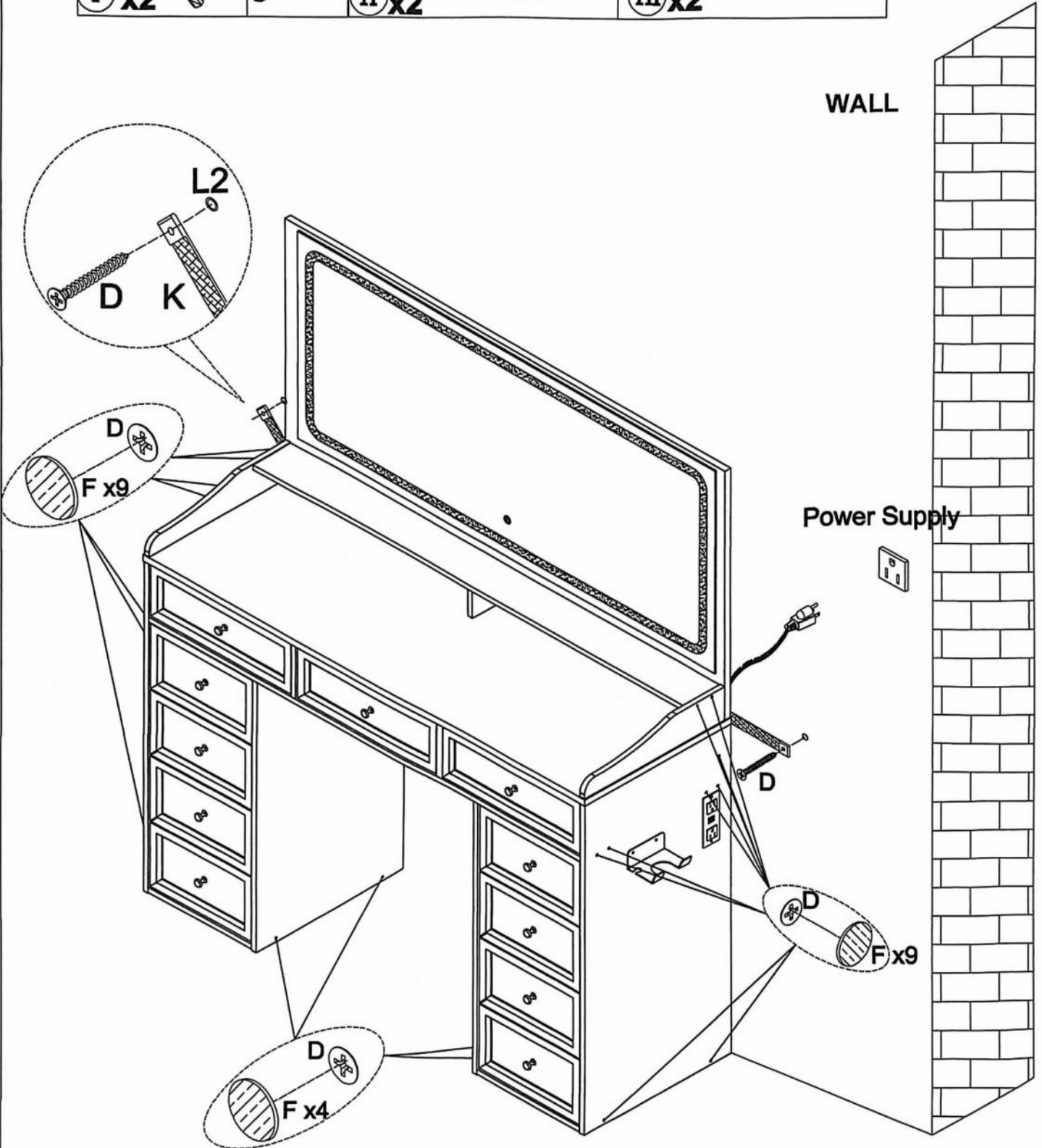
E	x2
Ø3.5x12mm	




J	x1

L1	x2
Ø4x14mm	

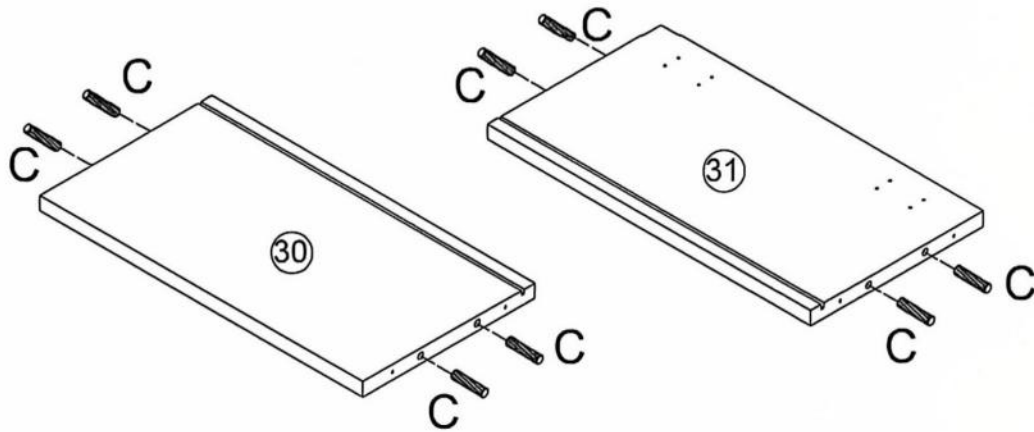
O	x1


23



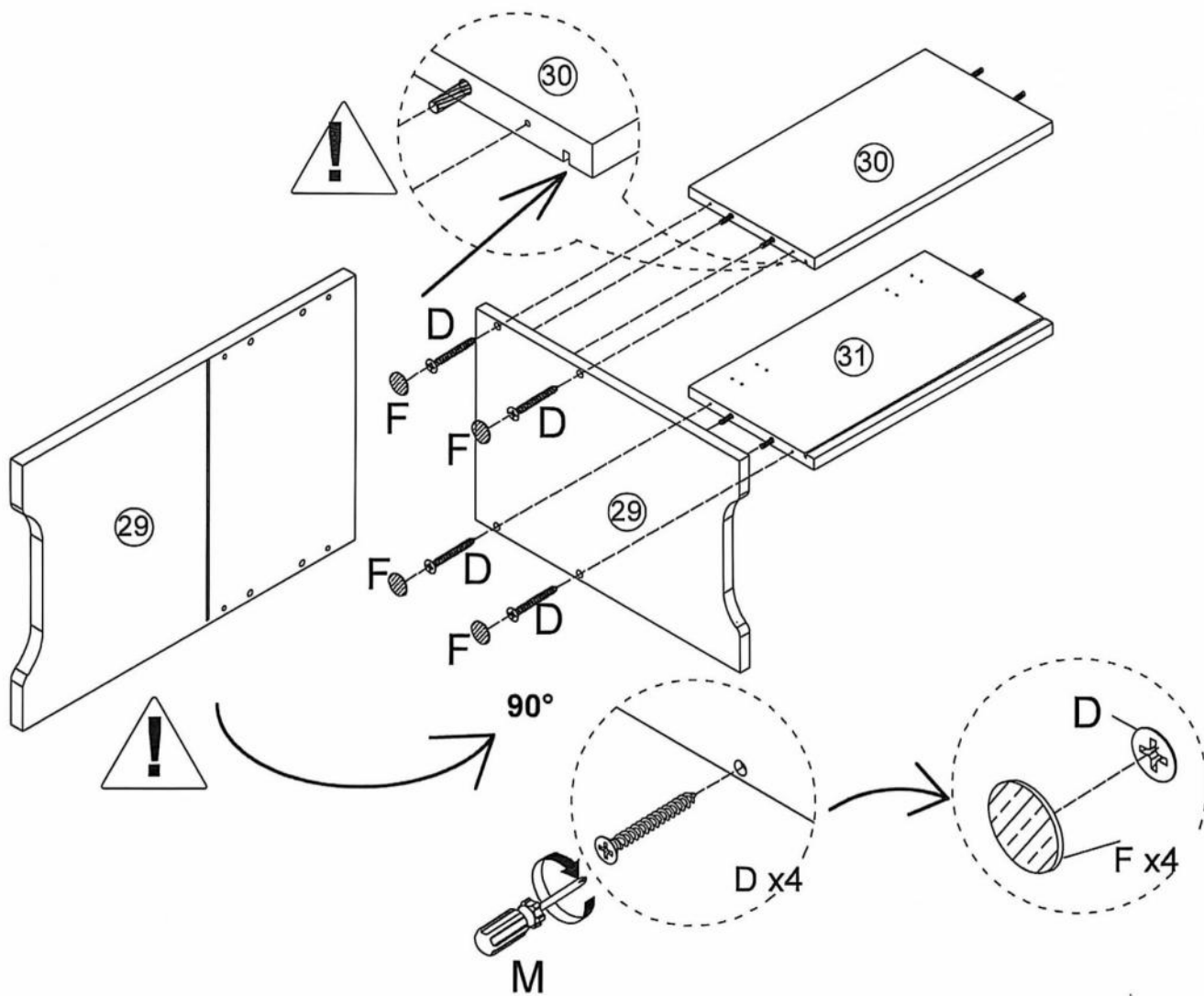
F	x22	L2	x2	D	x2
					
Ø20mm		Ø6x30mm		Ø4x35mm	


24




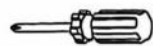
C	x8
	
Ø6x30mm	

25

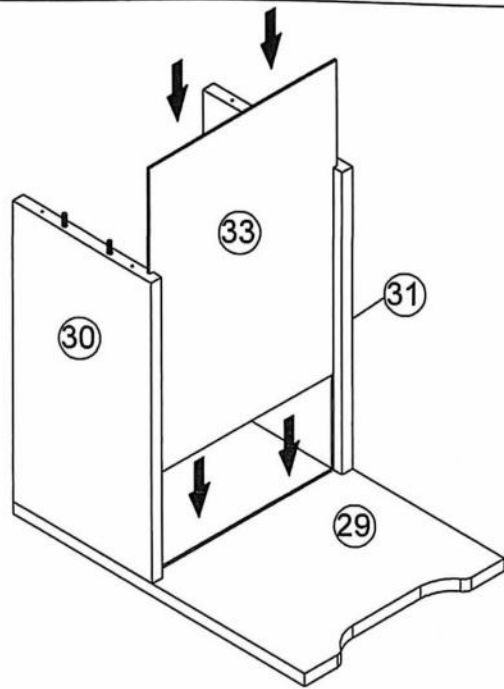


D	x4
	
Ø4x35mm	

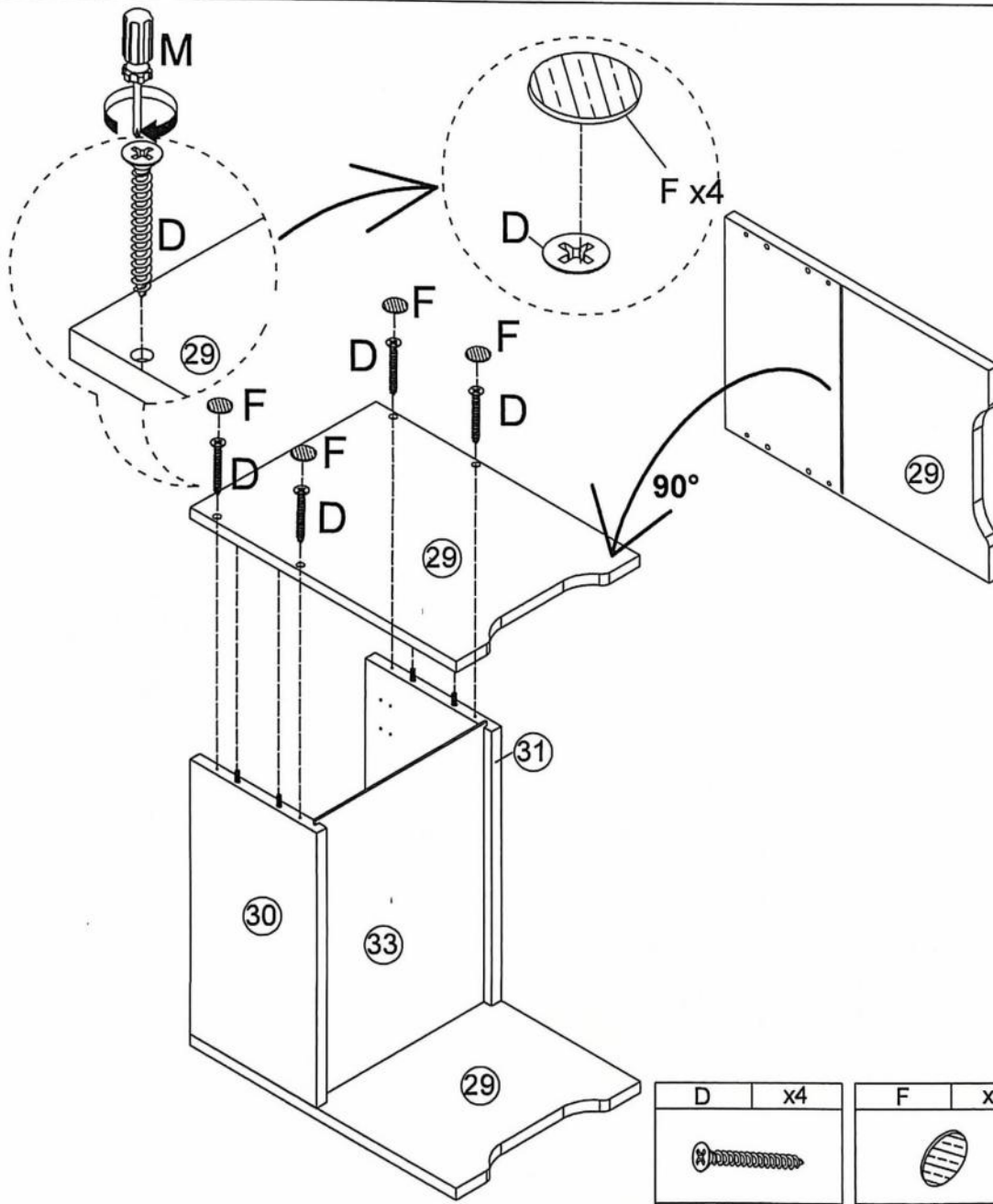
F	x4
	
Ø20mm	


M	x1
	


26

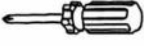


27

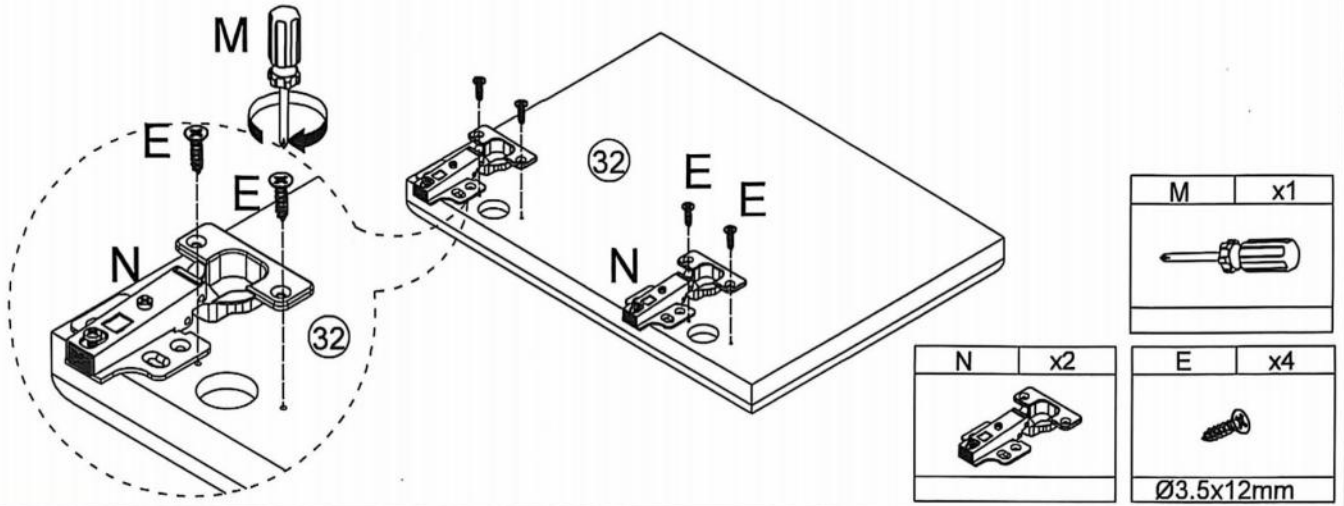


D	x4
	
Ø4x35mm	

F	x4
	
Ø20mm	

M	x1
	

28



29

