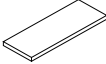


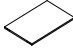
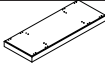


OPERATING INSTRUCTIONS
















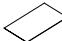

# PACKING DETAILS: TOTAL 2 BOXES


















BOX 1/2:

PART NO.	PARTS	QTY
1		x1
2		x1
3		x1
6		x1
10		x1

# PACKING DETAILS: TOTAL 2 BOXES

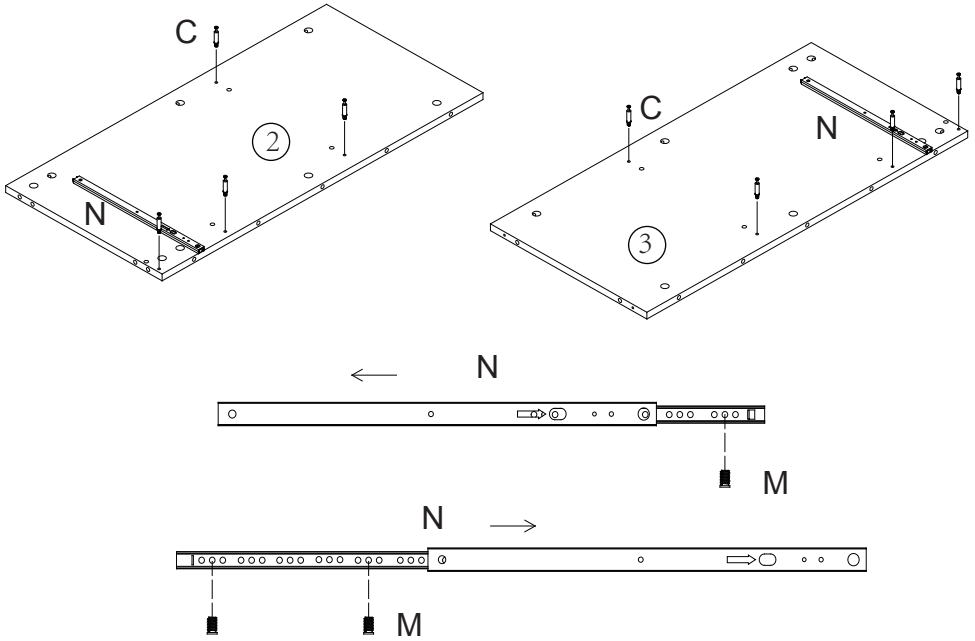
## BOX 2/2:

PART NO.	PARTS	QTY
4		x1
5		x1
7		x2
8		x1
9		x2
11		x1
12		x1
13		x1
14		x1
15		x4
16		x1
17		x1
18		x1
19		x1
20		x1
21		x1
22		x1

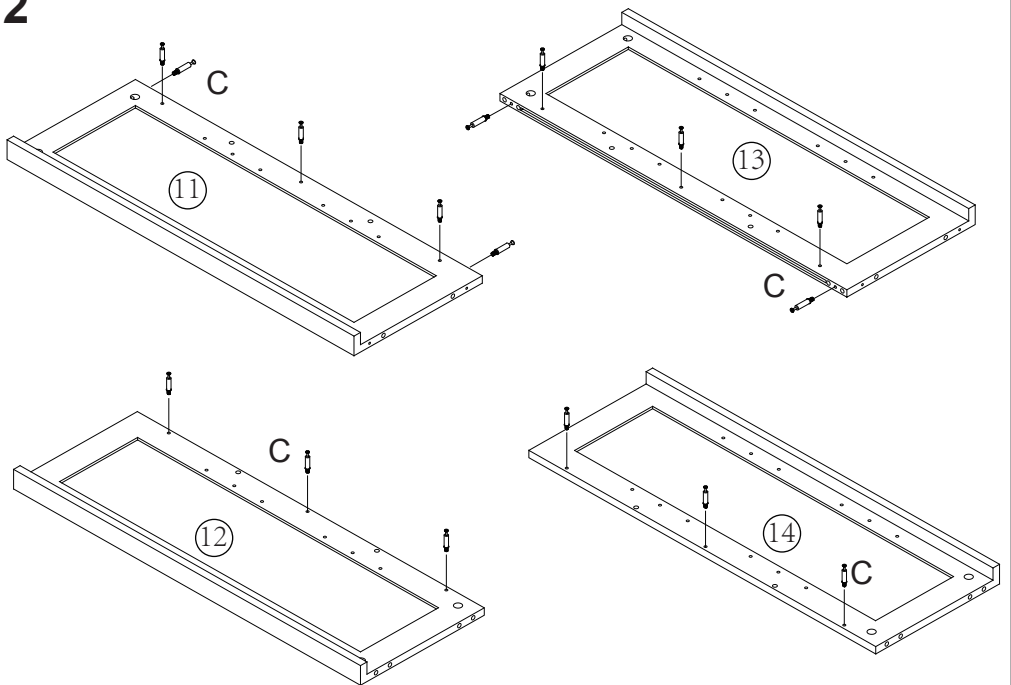
PART NO.	PARTS	QTY
A		x52
B		x16
C		x40
D		x40
E		x20
F		x6
G		x1
H		x2
I		x4
J		x16
K		x2
L		x2
M		x6
N		x2
O		x2
P		x2
Q		x2

# Assembly Instructions

1

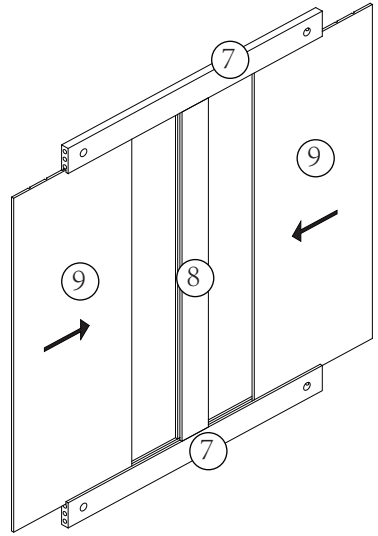
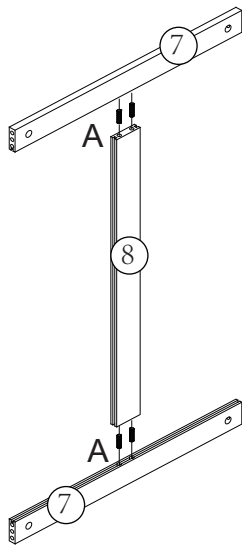


2

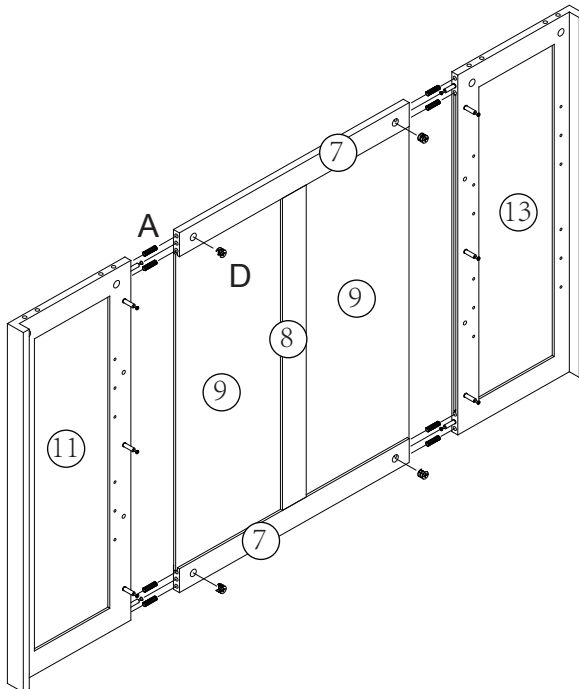


# Assembly Instructions

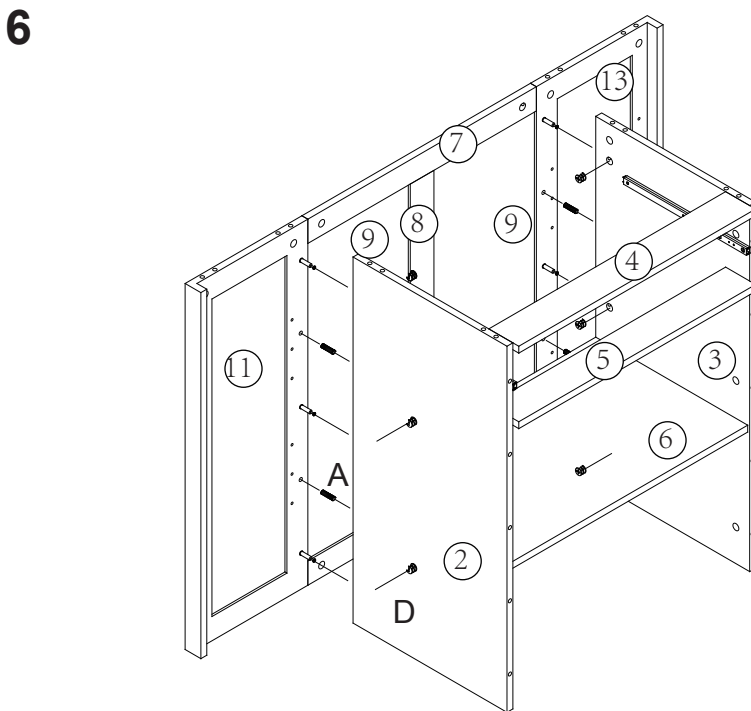
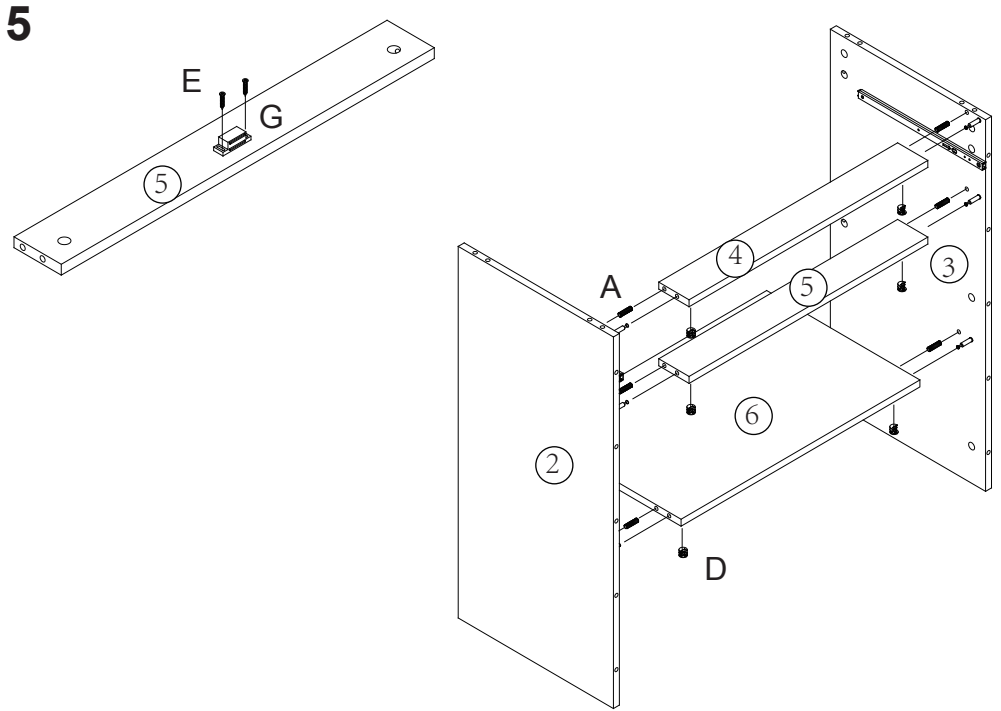
**3**



**4**

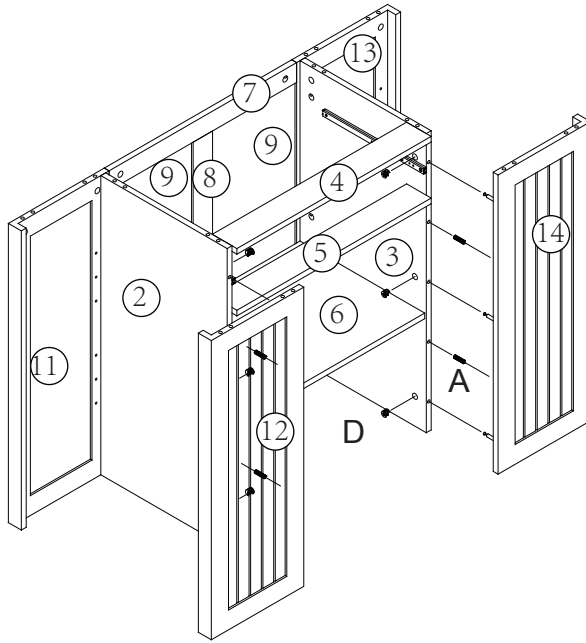


# Assembly Instructions

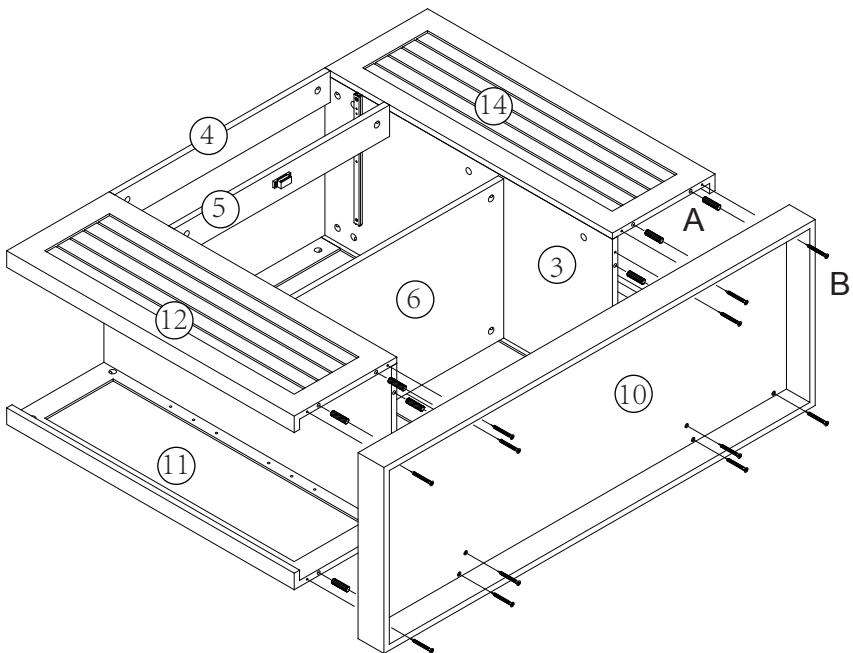


# Assembly Instructions

7

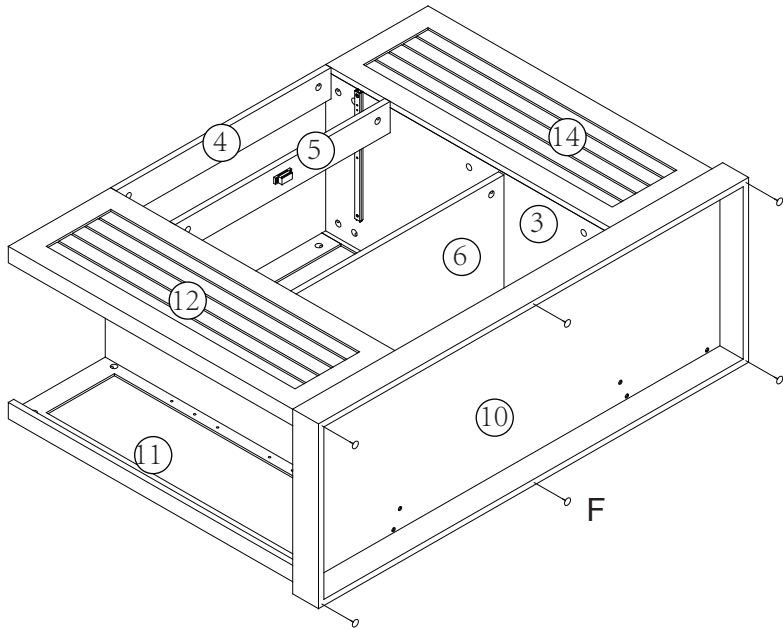


8

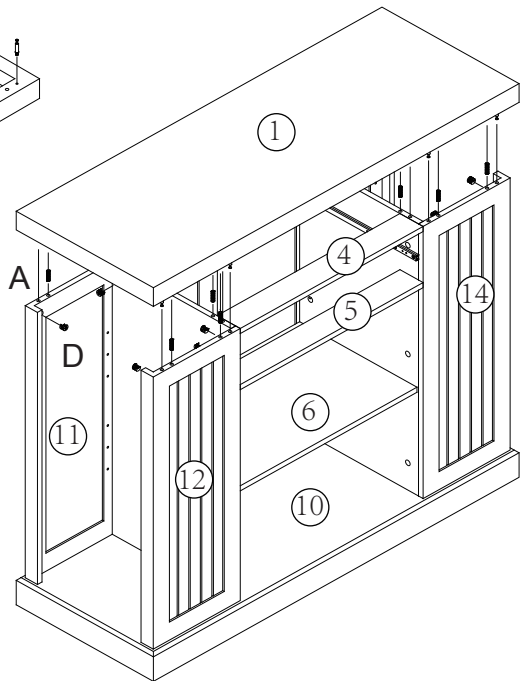
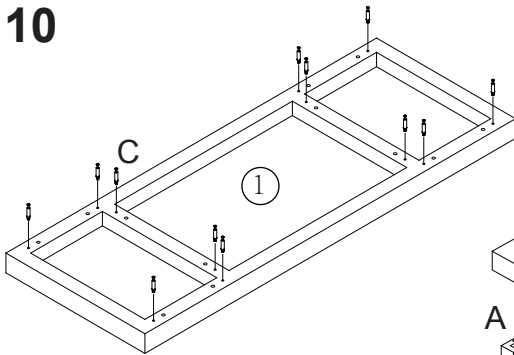


# Assembly Instructions

9

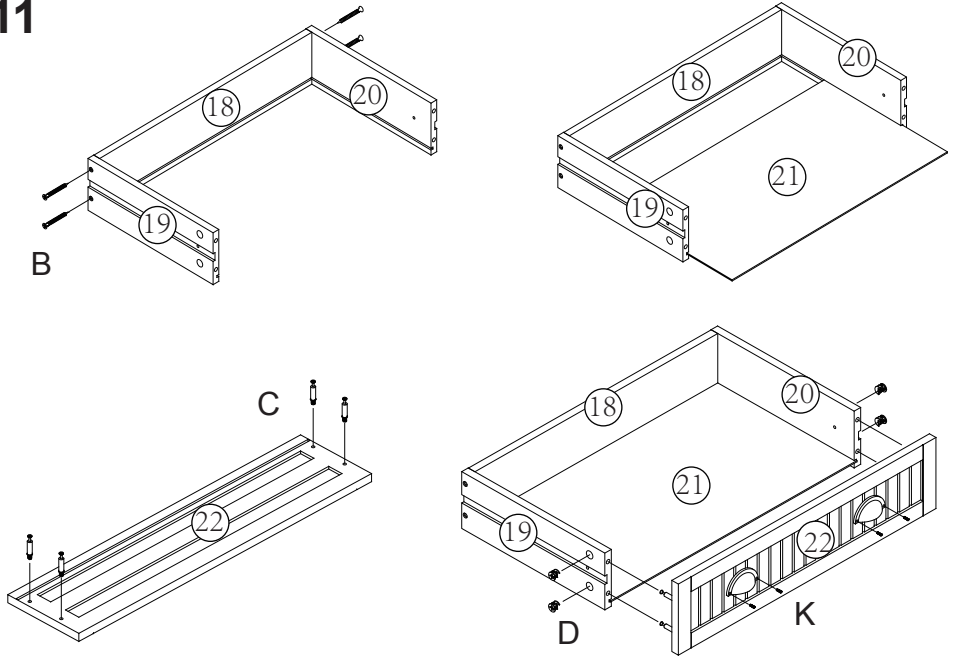


10

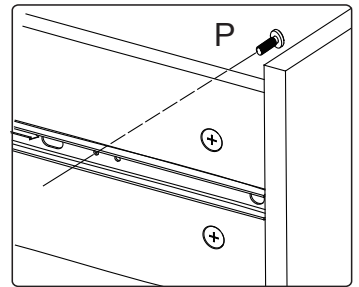
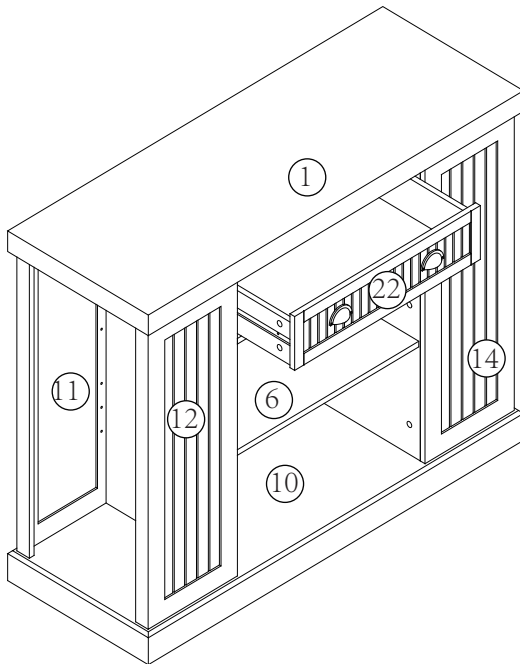


# Assembly Instructions

## 11

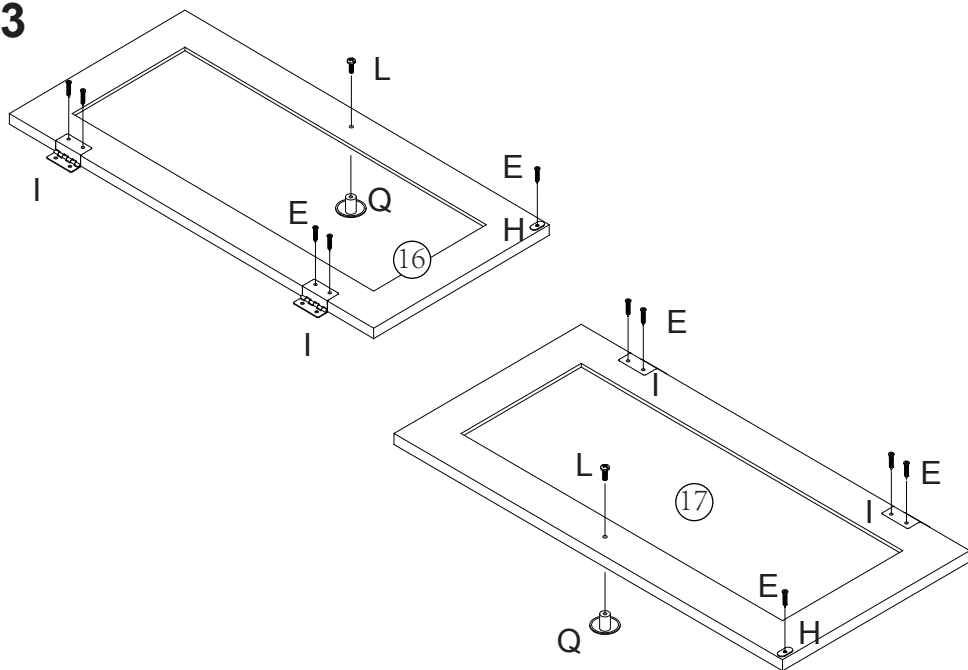


## 12

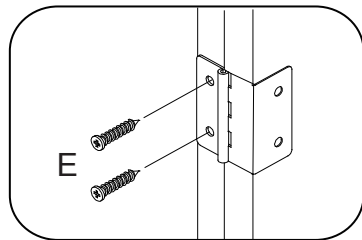
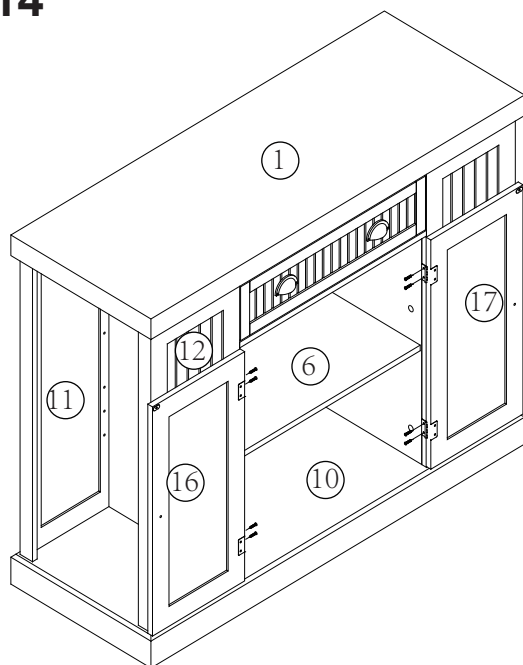


# Assembly Instructions

## 13

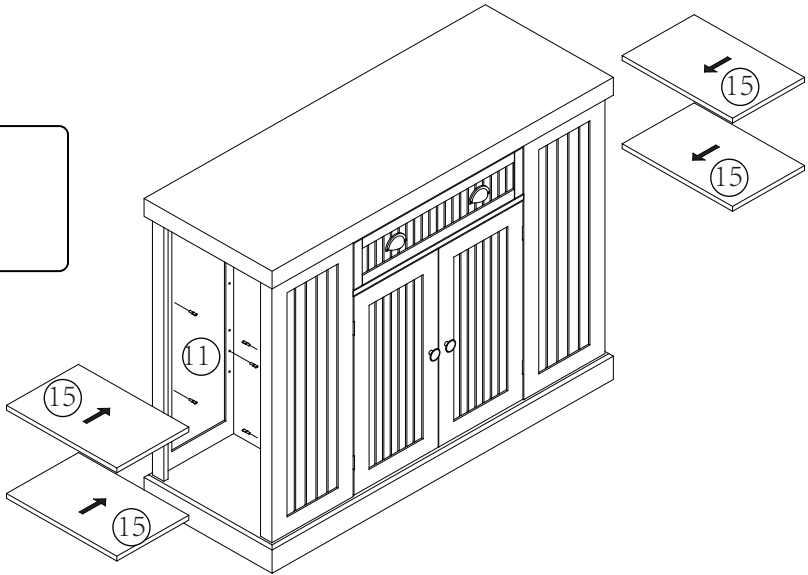
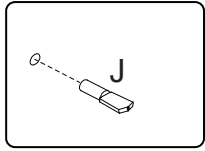


## 14



# Assembly Instructions

15



16

