

ASSEMBLY INSTRUCTIONS

SIDEBOARD

ASSEMBLY

1.5 Hours

2 -Person Assembly

Tools Required (Not Provided):

REQUIREMENTS

Assembly Time

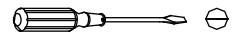
(Approximate)



Phillips Screwdriver



Flat Head Screwdriver



Thank you for purchasing our product!

Please refer and use this assembly instruction to assemble the product.
Contact our customer service department in case there are any missing or damage parts or hardware.
Replacement parts are normally shipped within 2 or 3 days.

Within 30 days from delivery date

PRODUCTS PURCHASED THROUGH OUR AUTHORIZED VENDORS ONLY ARE ELIGIBLE FOR REPLACEMENT PARTS.

We appreciate your business!

THIS PRODUCT IS FOR INDOOR AND HOUSEHOLD USE ONLY - NOT FOR COMMERCIAL USE.

ASSEMBLY PREPARATION

1. Remove all packaging materials, staples and packing straps from the carton.
2. Refer to Parts List and Hardware List and ensure they are correct before assembly.
Contact customer service for missing parts.
3. Place all wooden parts on a clean, flat and soft surface (e.g. carpet or rug) to prevent parts from getting scratched.

SAFETY PRECAUTION

1. KEEP ALL HARDWARE PARTS OUT OF REACH OF CHILDREN.
2. DISPOSE PLASTIC PACKAGING MATERIAL IMMEDIATELY TO AVOID ANY RISK OF SUFFOCATION TO CHILDREN AND ANIMALS.

TIPS FOR ASSEMBLY

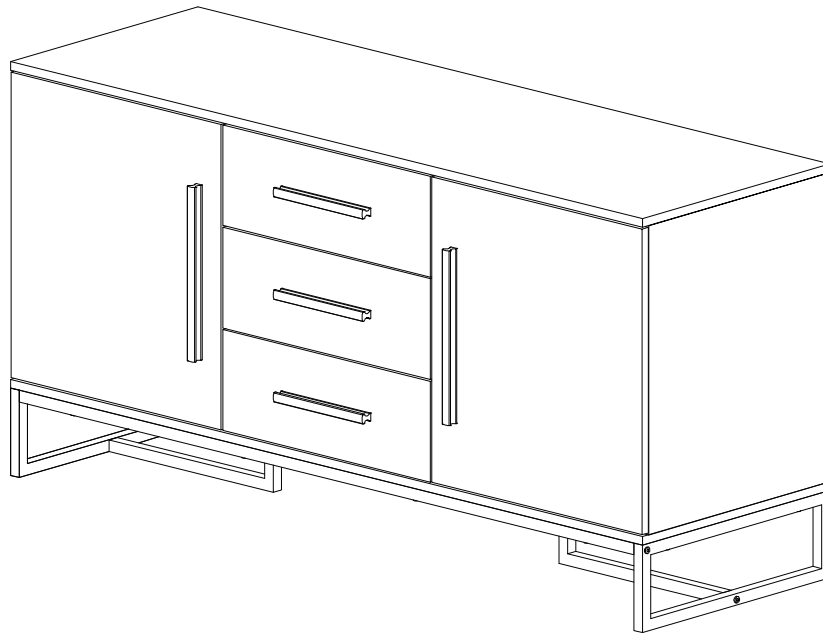
1. Allow ample room for assembly and in close proximity to where product will be placed.
2. Assemble the product on a surface that does not scratch or damage the exterior gloss and finish of the furniture.
3. Identify all of the parts, hardware and quantities required for each step.
4. During assembly, do not over-tighten any fittings as this may cause damage.
5. DO NOT USE POWER TOOLS TO ASSEMBLE THIS PRODUCT.
6. Always place the product on a flat, level surface.
7. Do not sit or stand on the partially assembled product; only use the product for which it is intended.

CARE AND MAINTENANCE








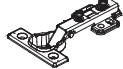


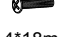
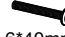


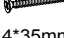





1. Wipe clean with a soft, dry cloth; avoid the use of harsh chemicals or household cleaners as they may damage the exterior finish of the furniture.
2. Hardware may loosen over time. Periodically, check that all connections are tight; re-tighten as necessary.
3. Solid wood is impacted by heat and humidity fluctuations which may cause small joint separations or hairline cracks; place the furniture away from direct sunlight and air conditioning vents, heating vents or units to protect the furniture.

ASSEMBLY INSTRUCTIONS

SIDEBOARD



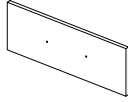
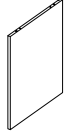
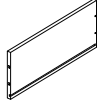
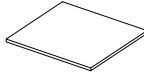
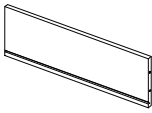
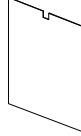
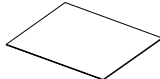
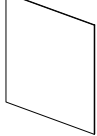
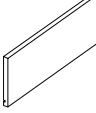
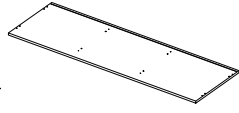
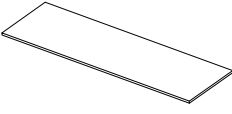
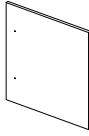
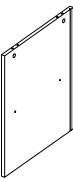
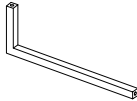
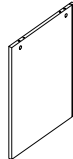
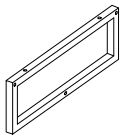
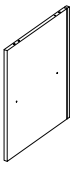
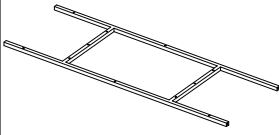
Hardware List

ITEM	DESCRIPTION	PART	QTY	ITEM	DESCRIPTION	PART	QTY
A	Cam-bolt	 6*35mm	20 pcs	K	Screw	 3.5*14mm	38 pcs
B	Cam-lock	 15*10mm	20 pcs	L	Drawer Slide(left)	 350mm	3 sets
C	Wood Dowel	 6*30mm	16 pcs	M	Drawer Slide (right)	 350mm	3 sets
D	Screw	 3*12mm	30 pcs	N	Hinge		4 pcs
E	Bolt	 6*30mm	14 pcs	O	Leg Pad		6 pcs
F	Handle Bolt	 4*18mm	10 pcs	P	Bolt	 6*40mm	8 pcs
G	Handle		2 pcs	Q	Allen Key		1 pc
H	Screw	 4*35mm	22 pcs	R	Bracket		2 pcs
I	Handle		3 pcs	S	Backply Stopper		12 pcs
J	Shelf Pin		8 pcs	T	Plastic Anchor		2 pcs

ASSEMBLY INSTRUCTIONS

SIDEBOARD

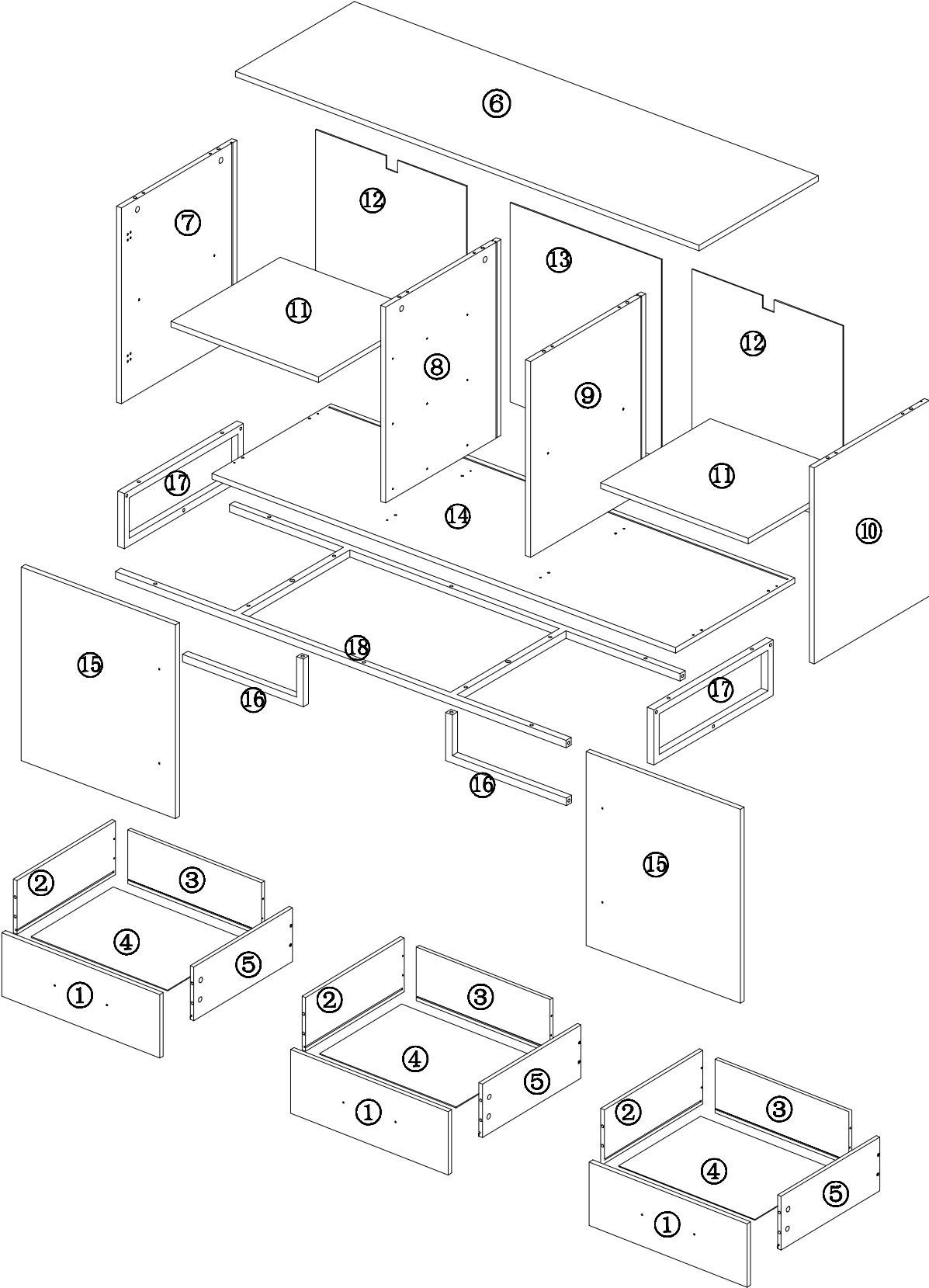
Parts List

ITEM	DESCRIPTION	PART	QTY	ITEM	DESCRIPTION	PART	QTY
1	Drawer Front Panel		3 pcs	10	Right Panel		1 pc
2	Drawer Left Panel		3 pcs	11	Adjustable Shelf		2 pcs
3	Drawer Back Panel		3 pcs	12	Side Back Panel		2 pcs
4	Drawer Bottom Panel		3 pcs	13	Middle Back Panel		1 pc
5	Drawer Right Panel		3 pcs	14	Bottom Panel		1 pc
6	Top Panel		1 pc	15	Door		2 pcs
7	Left Panel		1 pc	16	Connect Bar		2 pcs
8	Left Divide Panel		1 pc	17	Metal Leg		2 pcs
9	Right Divide Panel		1 pc	18	Metal Frame		1 pc

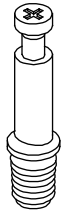
ASSEMBLY INSTRUCTIONS

SIDEBORD

ASSEMBLY OVERVIEW



Instructions For Fastening CAM-BOLT AND CAM-LOCK

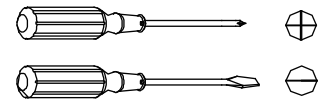


CAM-BOLT

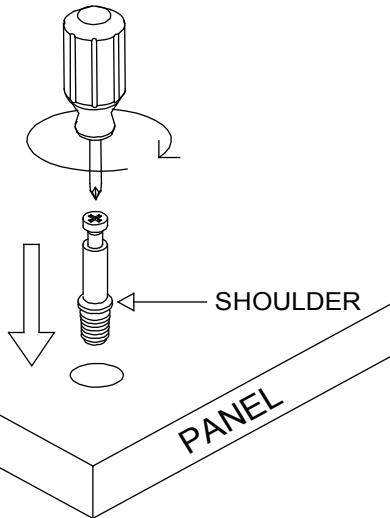


CAM-LOCK

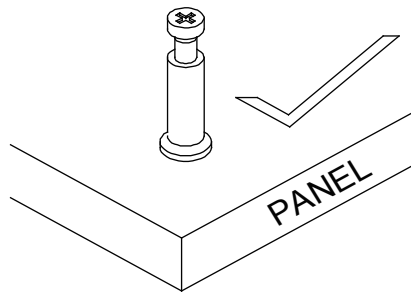
Tools Required



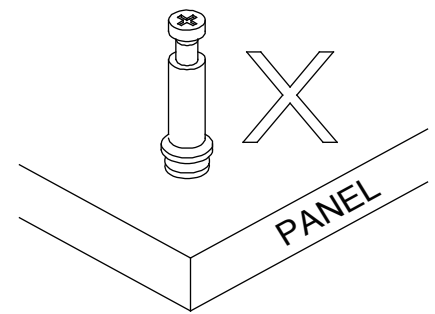
INSERTING AND TIGHTENING CAM-BOLT



Place Cam-bolt on pre-drilled hole and screw in vertically.



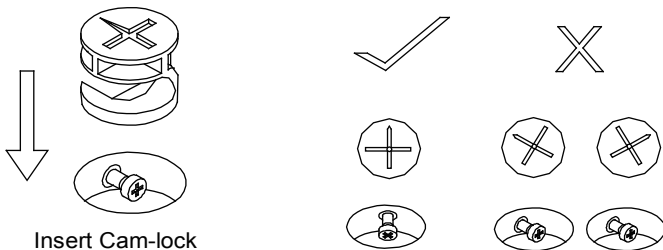
Shoulder is flushed (on the same level) with the panel.



Shoulder is above the panel.

Place Cam-bolt on the designated pre-drilled holes on the panel. Use a Phillips Screwdriver to drive Cam-bolt vertically until shoulder is flushed (on the same level) with panel. Do not over-tighten or under-tighten.

INSERTING CAM-LOCK



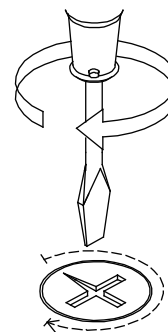
Insert Cam-lock with arrow align to Cam-bolt head.

CORRECT

WRONG

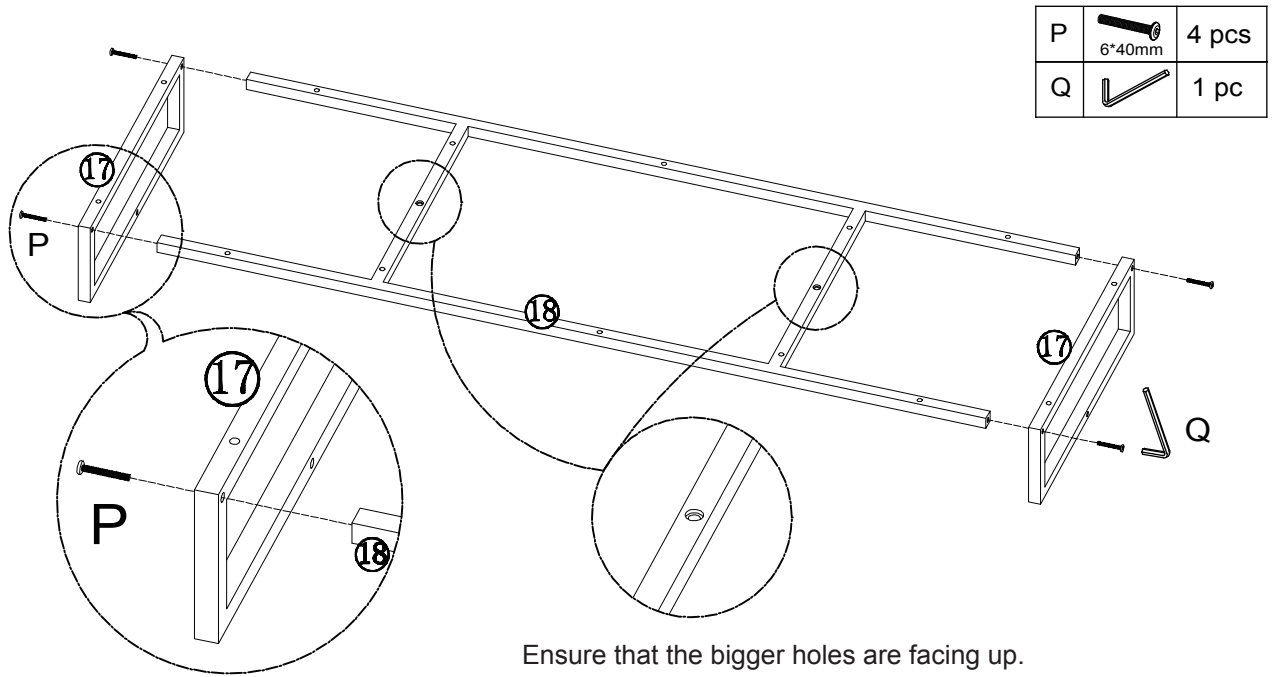
Align the arrow on the Cam-lock to the Cam-bolt head and insert the Cam-lock. Ensure Cam-lock is fully inserted.

TIGHTENING CAM-LOCK



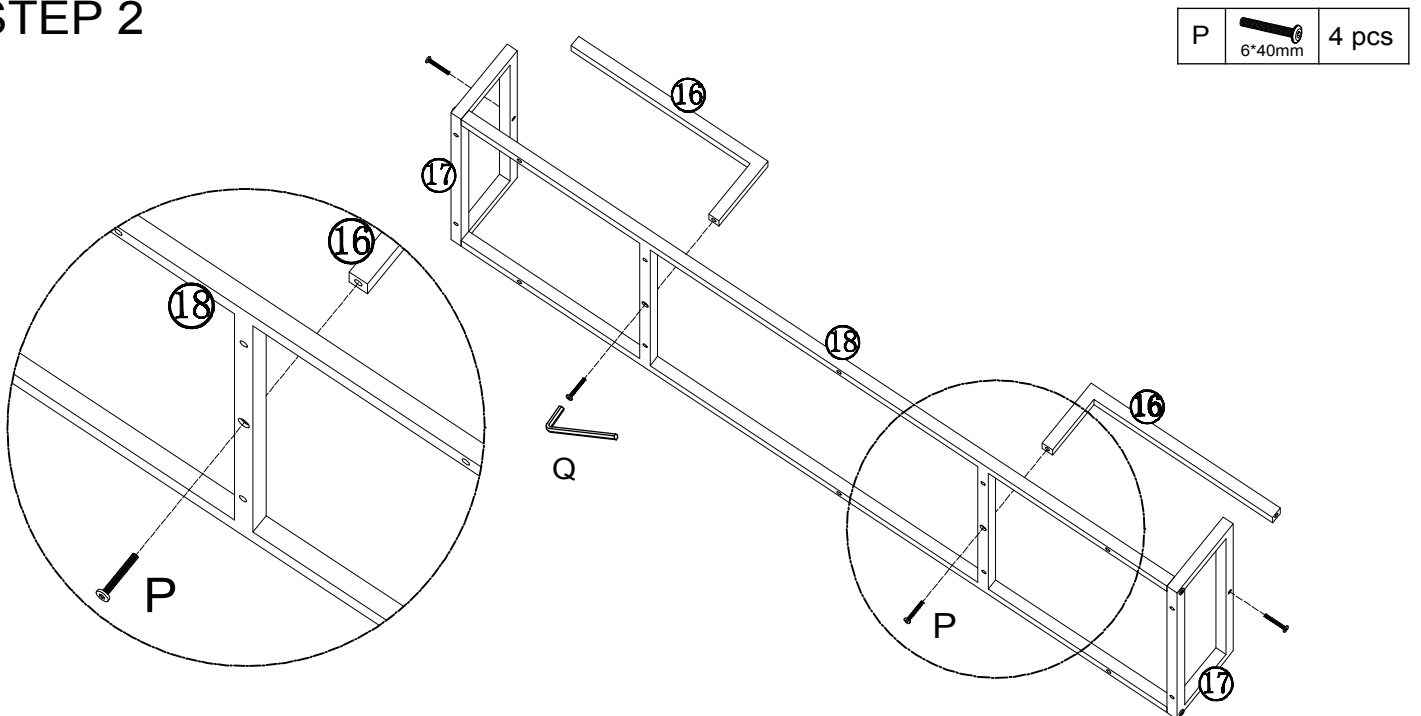
Use a Flat-head Screwdriver to turn Cam-lock clockwise so it locks onto the head of the Cam-bolt. Turn until it is snug (about 3/4ths of a turn) -- over-tightening could damage Cam-lock or/and Cam-bolt.

STEP 1



Attach Metal Leg (17) to Metal Frame (18) with Bolt (P). Tighten (P) with Allen Key (Q).

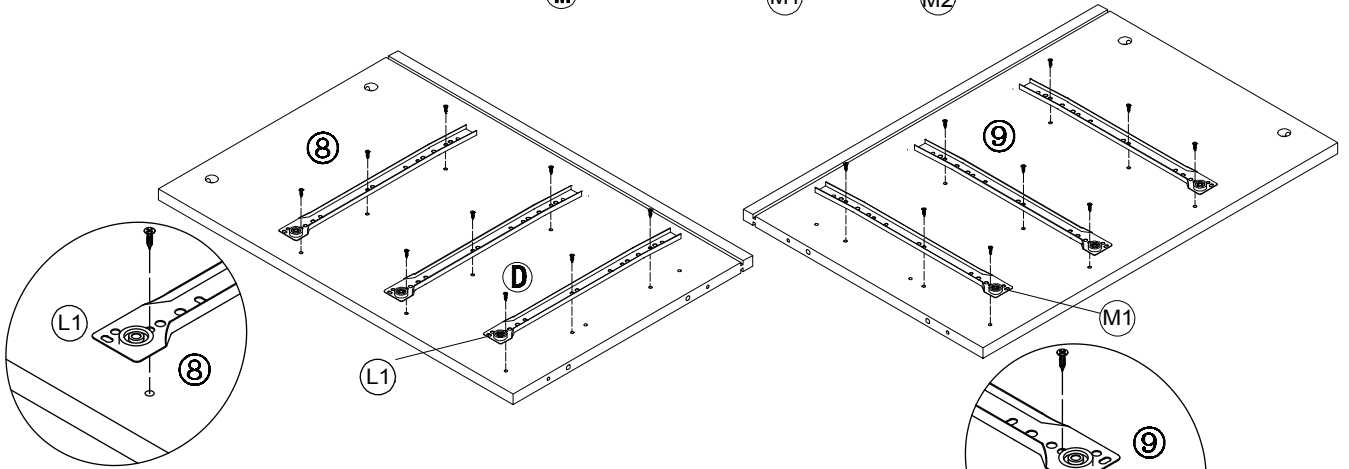
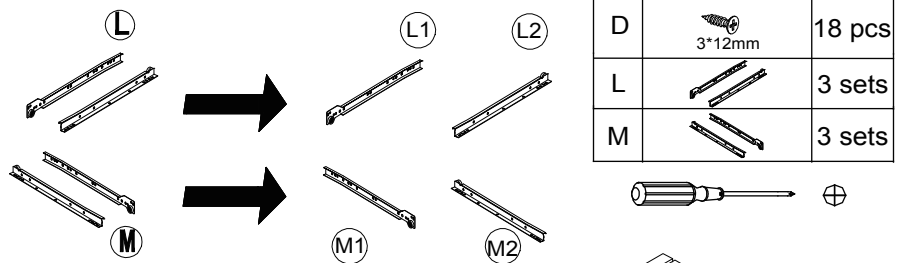
STEP 2



Attach Connect Bar (16) to Metal Frame (18) and Metal Leg (17) with Bolt (P). Tighten (P) with Allen Key (Q).

STEP 3

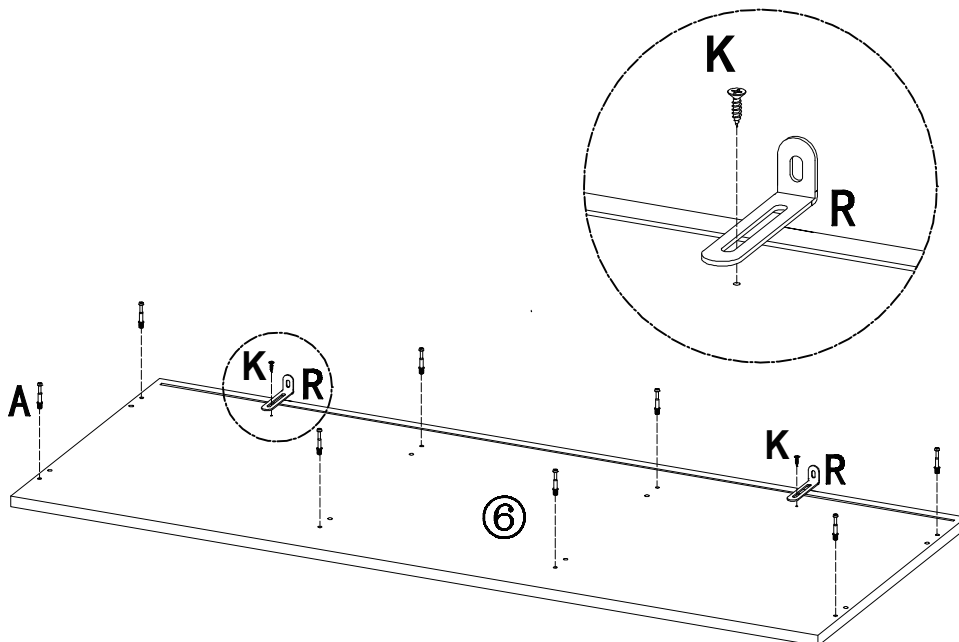
- a) On each set of Drawer Slide (L & M), distinguished between Slide Rail (L1 & M1) and Slide Runner of (L2 & M2).



- b) Lay Left Divide (8) and Right Divide Panel (9) as shown on a material that does not scratch or damage the parts.
 c) Position Slide Rail (L1) to align the screw holes on screw (L1) to the screw holes on (8) and fasten with screw (D). Do not tighten (D) completely until all of the screws are in place on each Rail.
 d) Use the same procedure above to install Slide Rail (M1) to Right Divide Panel (9).

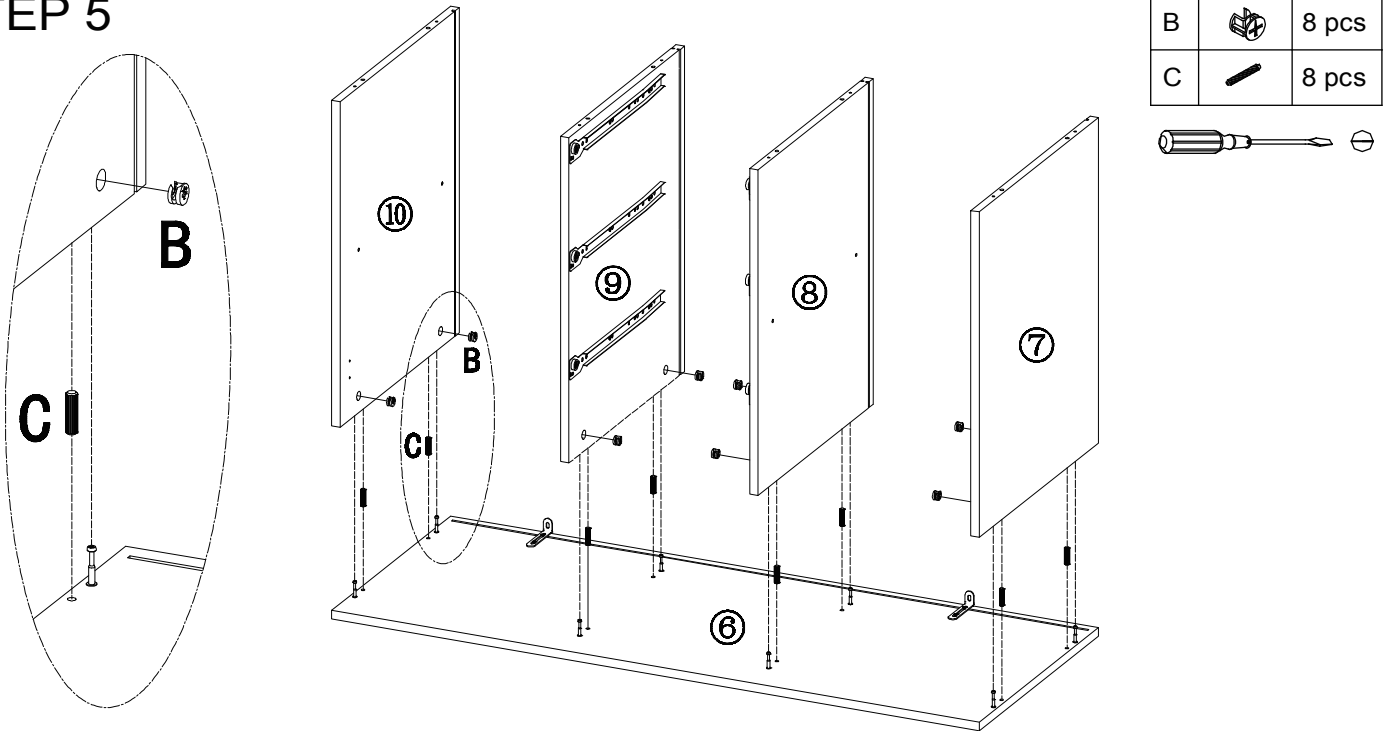
STEP 4

A		8 pcs
K	3.5*14mm	2 pcs
R		2 pcs



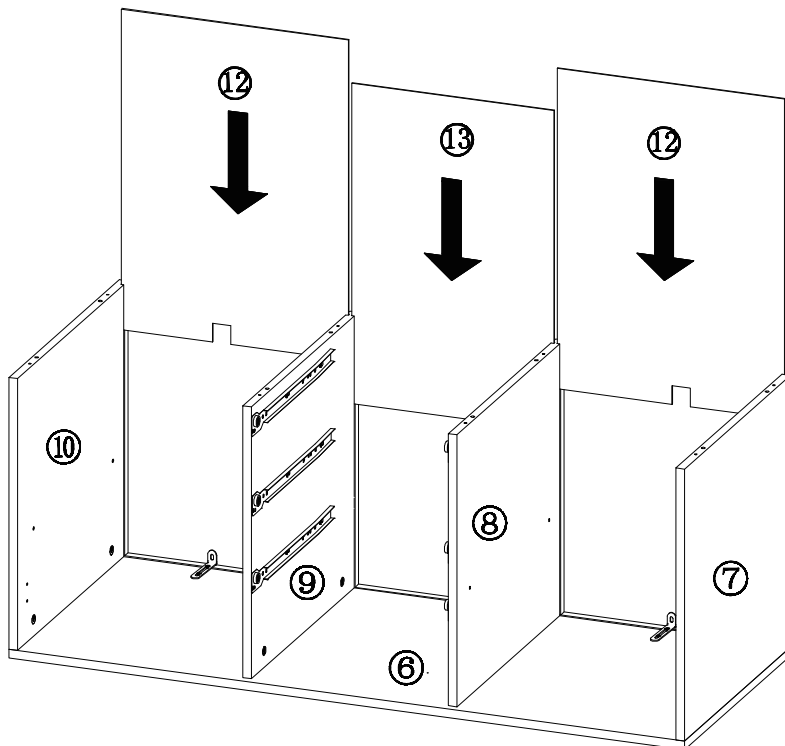
- a) Lay Top Panel (6) bottom-side up on a material that does not scratch or damage the part.
 b) Screw Cam-bolt (A) into the outer holes on (6).
 c) Use the Screw (K) provided to fasten Bracket (R) to Top Panel (6) as shown.
 Do not tighten the screws completely to allow the bracket to slide.

STEP 5



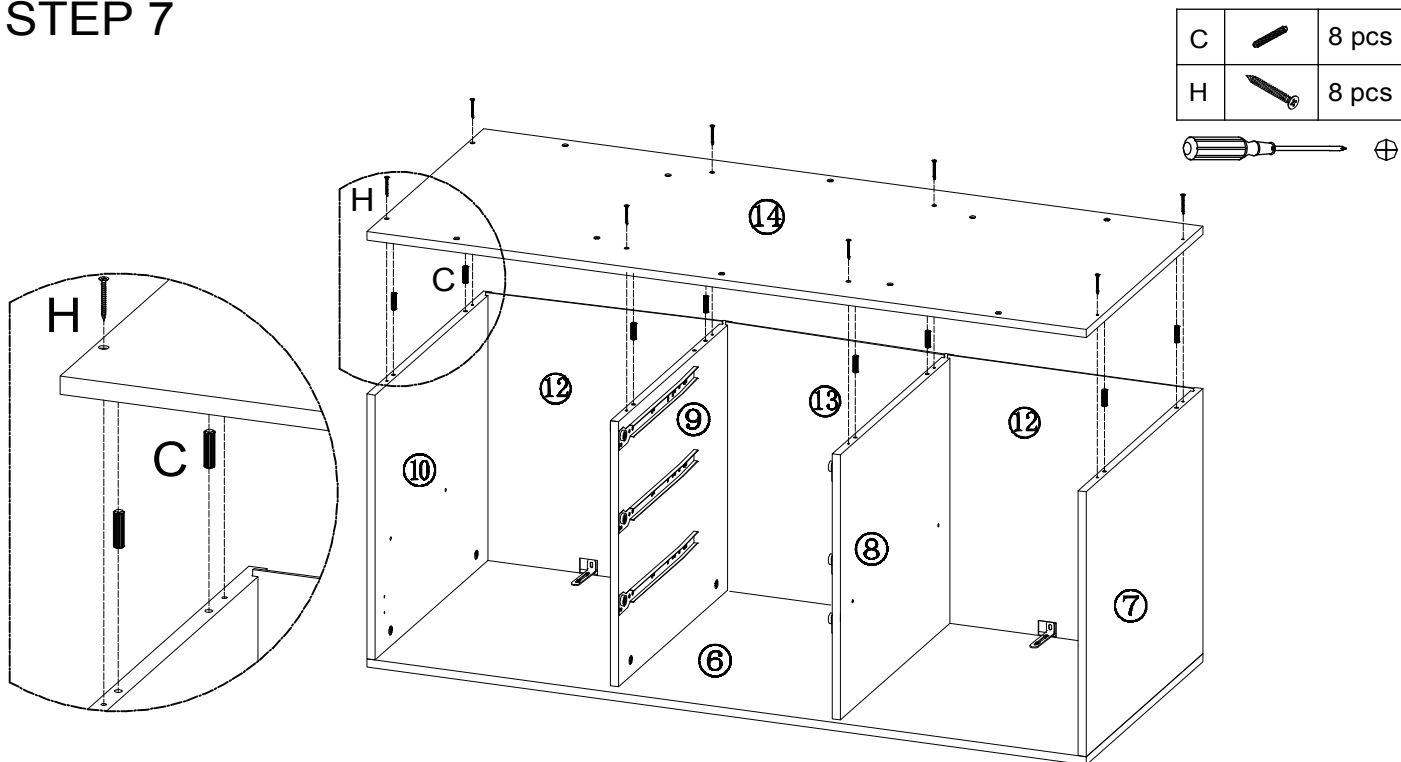
- Insert Wood Dowel (C) into the inner two holes on Top Panel (6).
- Attach Left Panel (7), Left Divide Panel (8), Right Divide Panel (9) and Right Panel (10) to (6) via wood dowel and cam-bolt on (6).
- Insert Cam-lock (B) into designated holes on (7, 8, 9 & 10) and turn clockwise to lock onto cam-bolt. Refer to Page 5 for instructions on inserting and tightening cam-lock.

STEP 6



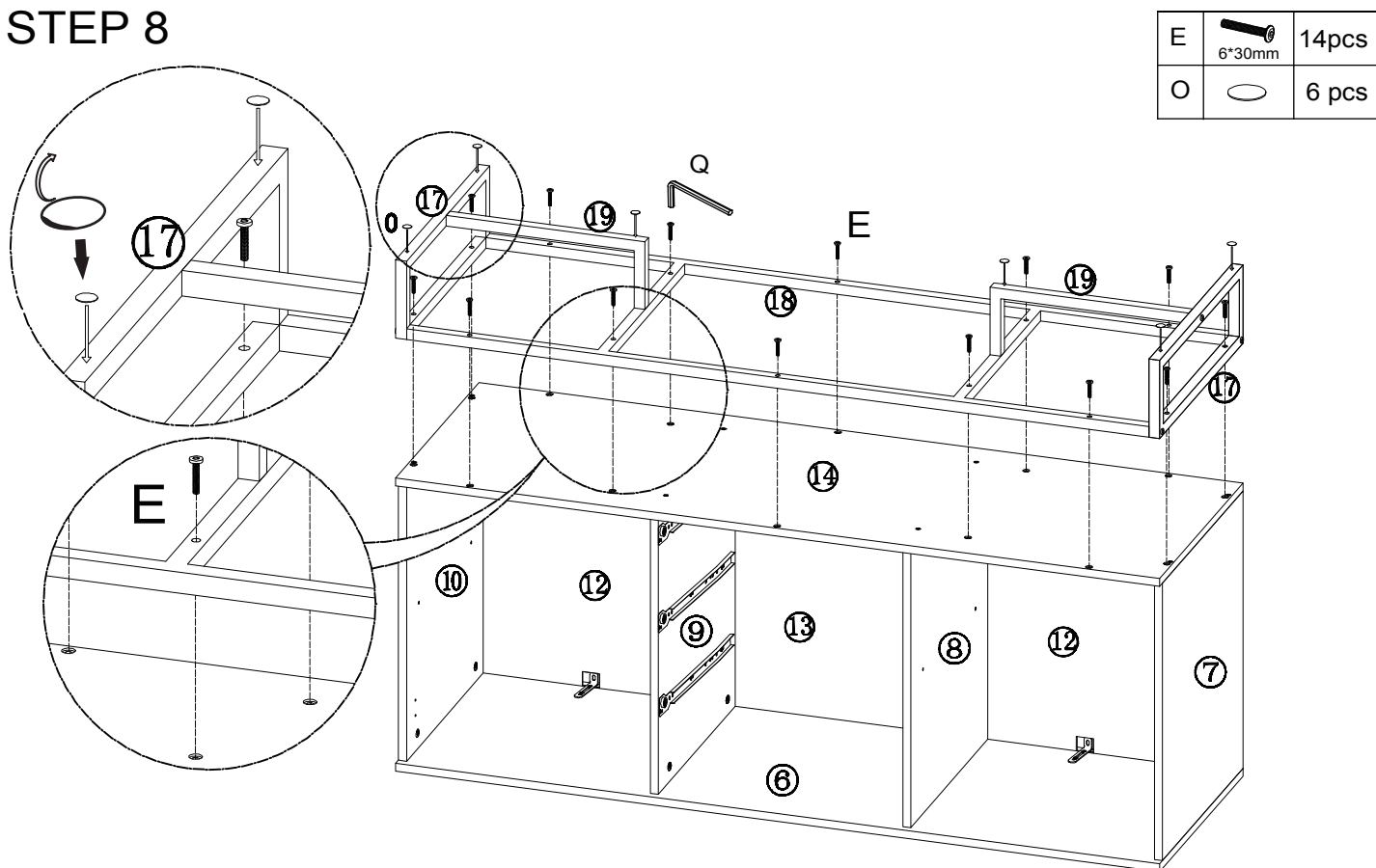
- Fit one piece of Back Panel (12) by inserting the long edges of (12) into the groove on Right Divide Panel (9) & Right Panel (10). Fit the second piece of (12) by inserting the long edges of (12) into the groove on Left Divide Panel (8) and Left Panel (7).
- Fit Back Panel (13) by inserting the long edges of (13) into the groove on Right Divide Panel (9) and Left Divide Panel (8).

STEP 7




- Insert Wood Dowel (C) into the inner two holes on Left Panel (7), Left Divide Panel (8), Right Divide Panel (9) and Right Panel (10).
- Attach Bottom Panel (14) to (7, 8, 9 & 10) via wood dowel and cam-bolt on the respective parts.
- Use Screw (H) to fasten (14) to (7, 8, 9 & 10). Tighten (H) completely.

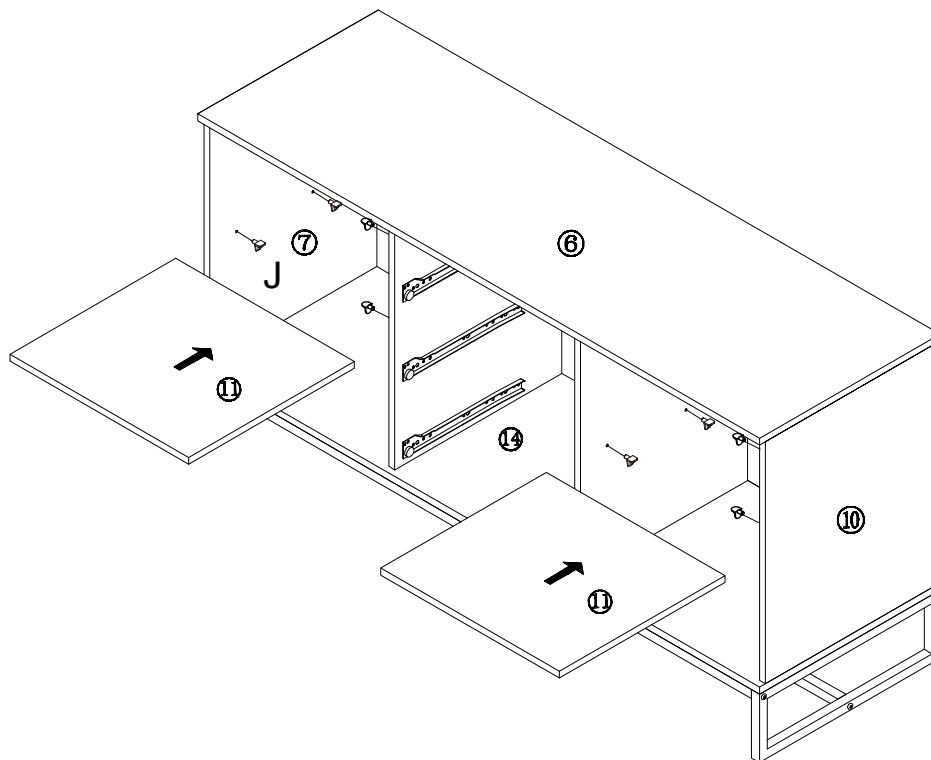
STEP 8



- Position Leg assembly from STEP 2 on Bottom Panel (14) as shown to align screw holes on both parts.
- Use Screw (E) to fasten Leg assembly to (14). Use Allen Key (Q) to drive and tighten (Q). Do not tighten the screws completely until all of the screws are in place.

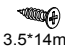

STEP 9

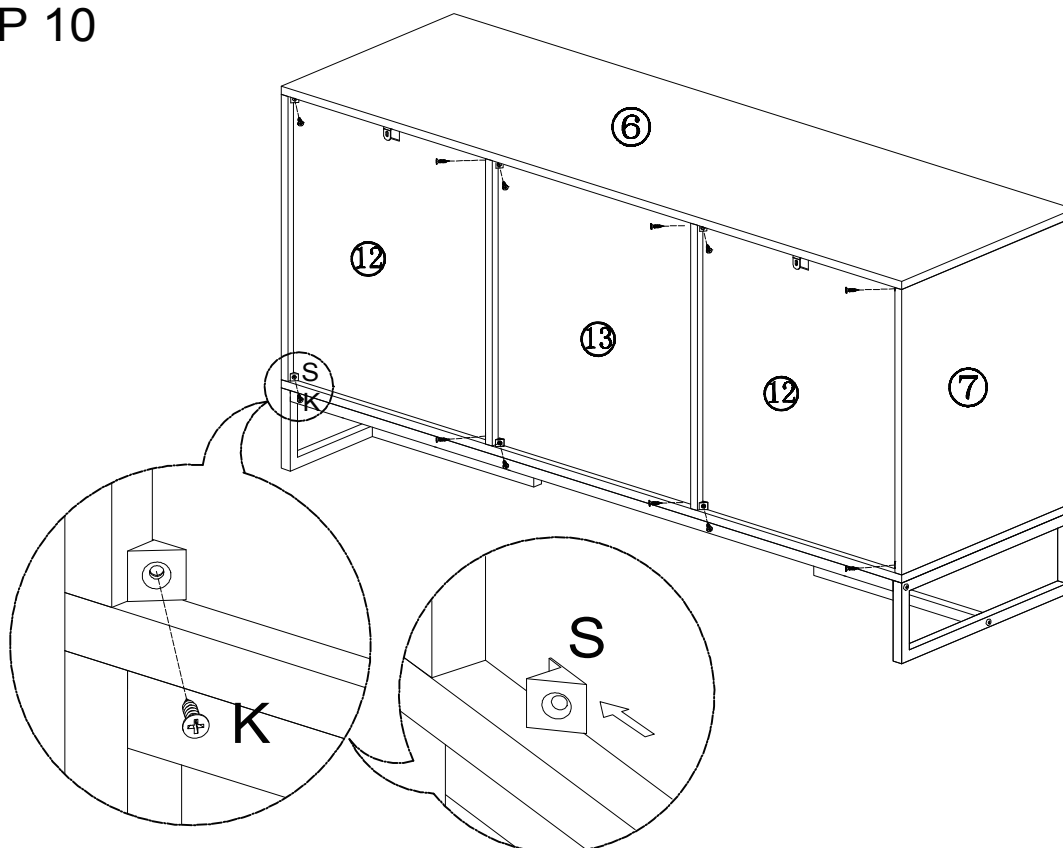
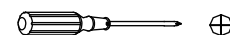
J		8 pcs
---	---	-------



- With assistance, set the assembly from STEP 8 right-side up as shown.
- Insert Shelf Pin (J) into the designated holes on the respective vertical Side and Divide Panels (7 & 8) and (9 & 10).
- Place Shelf (11) by tilting it to fit between the vertical panels and then level it to sit on Shelf Pins (J).

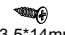

STEP 10

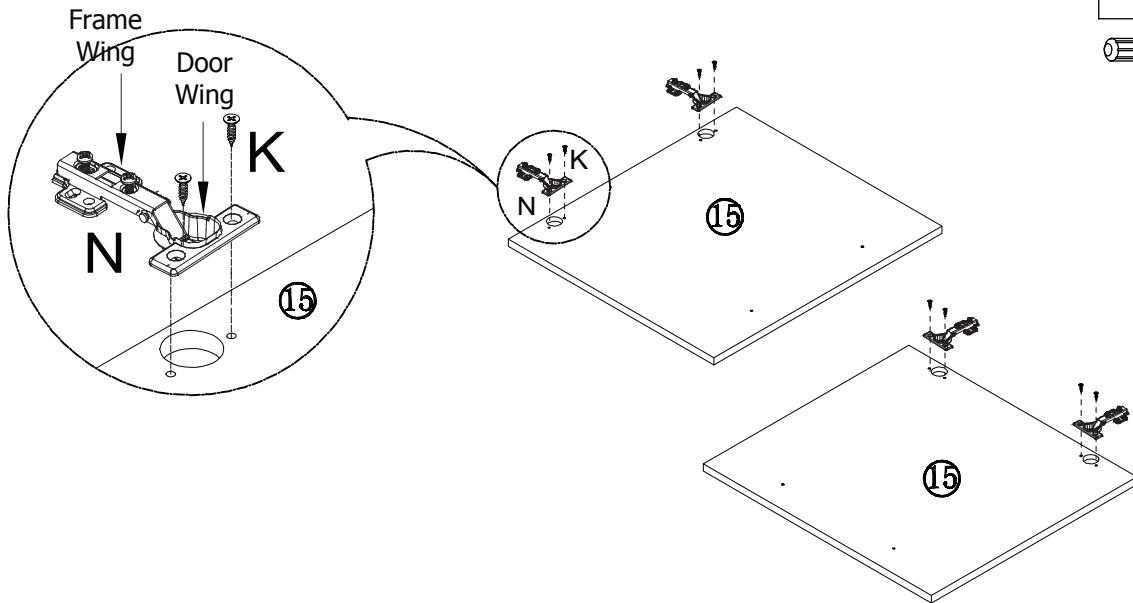
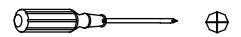
K	 3.5*14mm	12 pcs
S		12 pcs



Wedge Back Stopper (S) at each corner as shown to fit into the groove and against Back Panel (12 & 13).
Use Screw (K) to fasten (S).


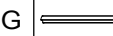
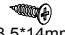
STEP 11

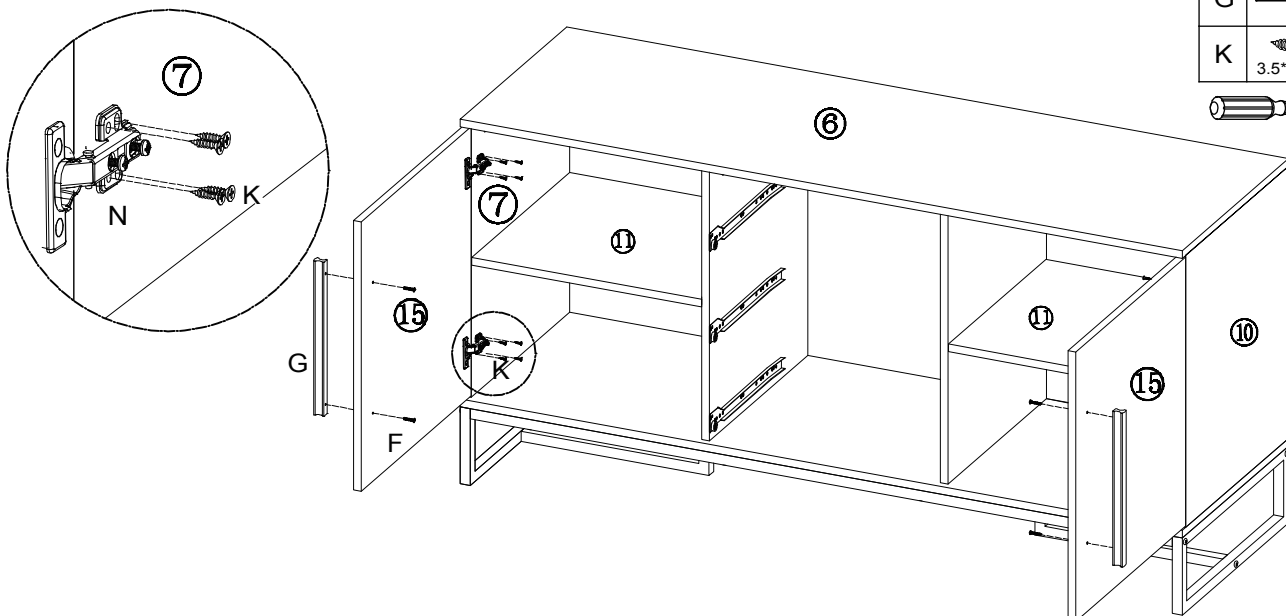
K	 3.5*14mm	8 pcs
N		4 pcs



- Lay the interior of Door (15) facing up as shown on a material that does not scratch or damage the front surface.
- Place Hinge (N) to fit the cup on the Door Wing into the hinge well on (15) and use Screw (K) to fasten Door Wing.

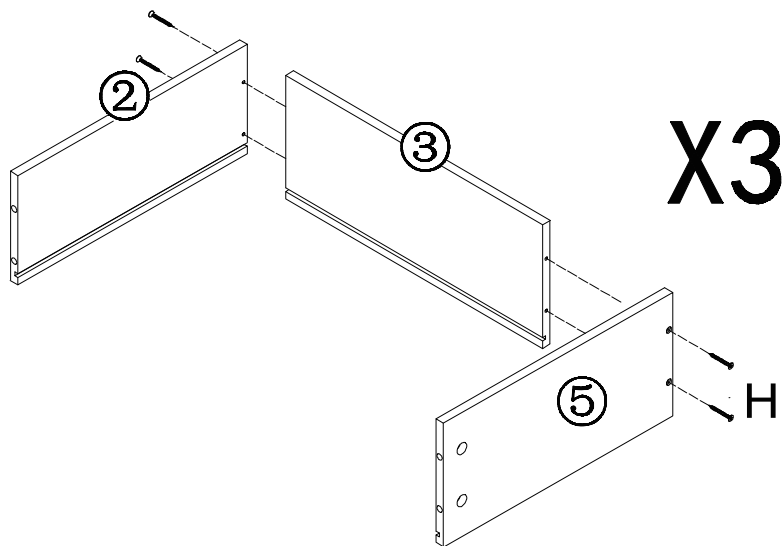
STEP 12

F		4 pcs
G		2 pcs
K	 3.5*14mm	16 pcs

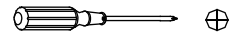


- Position Door (15) as shown and align the screw holes on the frame wing of the hinge to the pilot holes on Left/Right Panel and fasten with Screw (K).
- Use Screw (F) to affix Door Handle (G).

STEP 13

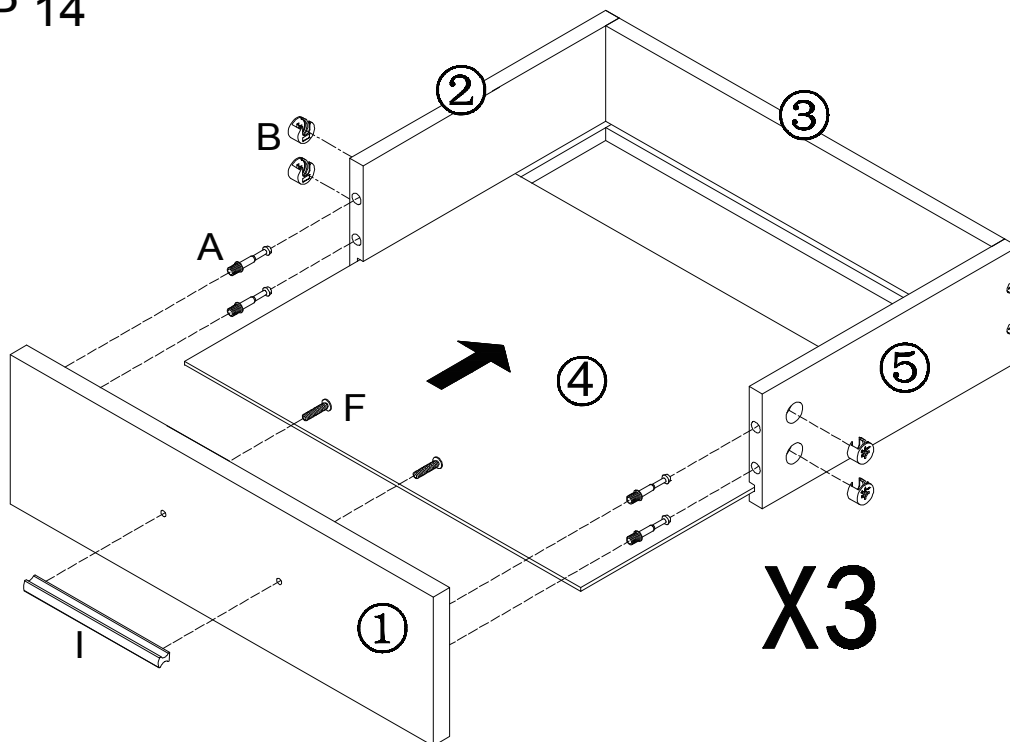


H		12 pcs
---	--	--------

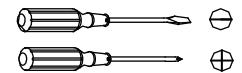


- Attach Drawer Left & Right Panel (2 & 5) to Drawer Back Panel (3) as shown - note the groove on each panel is at the bottom.
- Use Phillips Screwdriver to drive Screw (H) to fasten side panels to back panel. Do not tighten screws completely until both screws are in place in each panel.

STEP 14

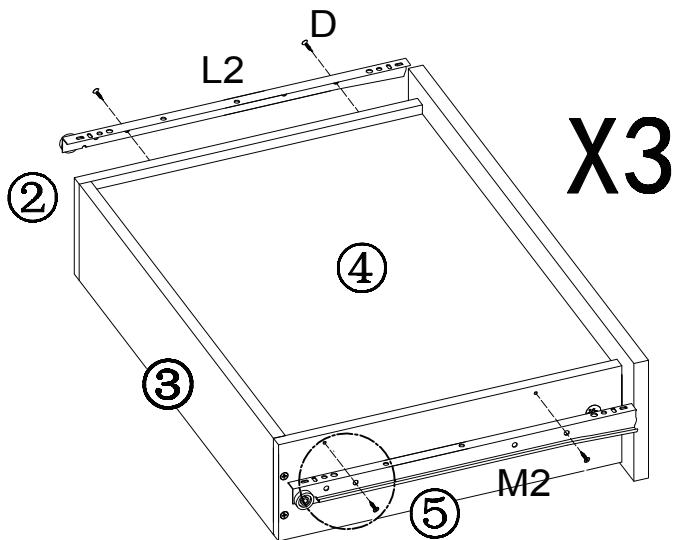


A		12 pcs
B		12 pcs
F		6 pcs
I		3 pcs

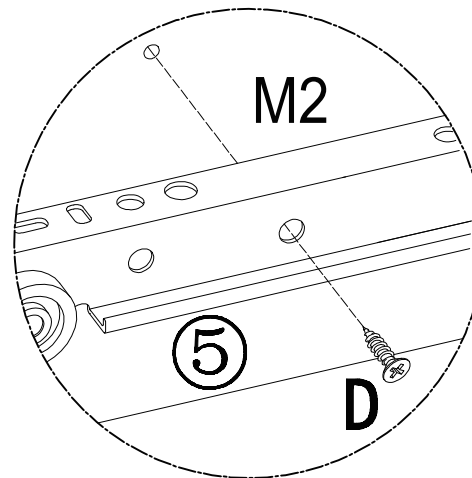
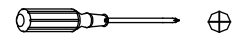


- Fit Drawer Bottom Panel (4) via groove on (2 & 5). Check that the edge of (4) fits into the groove on (3).
- Screw in Cam-bolt (A) into designated holes on Drawer Front Panel (1) and attach (1) to (2 & 5). Check that the front edge of (4) fits into the groove on (1).
- Insert Cam-lock (B) into designated holes on (2 & 5) and turn clockwise to lock onto cam-bolt.
- Affix Handle (I) to Drawer Front Panel with Handle Bolt (F). Use a Phillips Screwdriver to drive (F).

STEP 15

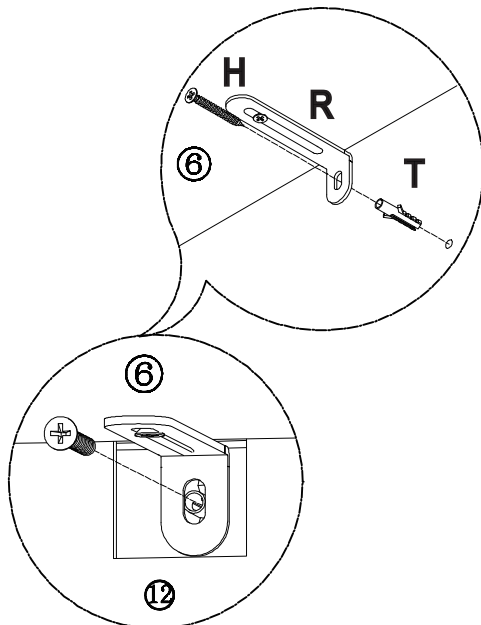


D	3*12mm	12 pcs
L2		3 pcs
M2		3 pcs

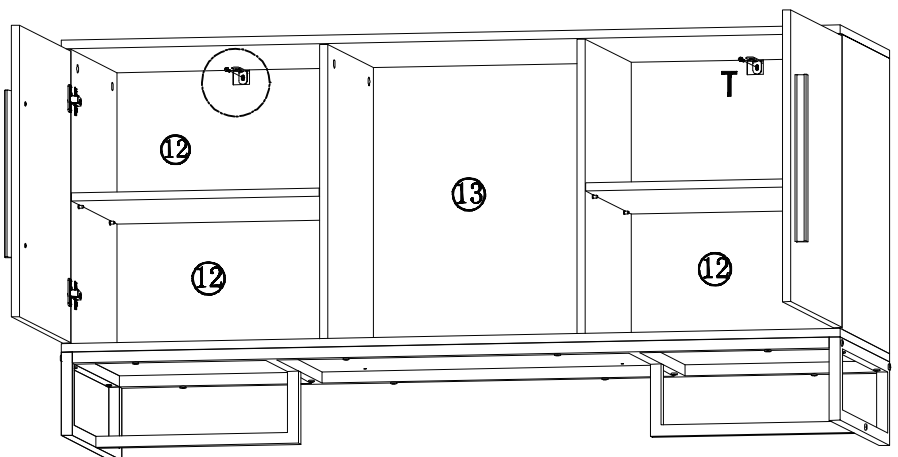


- Set the drawer assembly from STEP 14 as shown on a material that does not scratch or damage the drawer.
- Position the Slide Runner (L2 & M2) as shown and align the screw holes to the pilot holes on the drawer side panels.
- Use Screw (D) to fasten Drawer Runner.

STEP 16

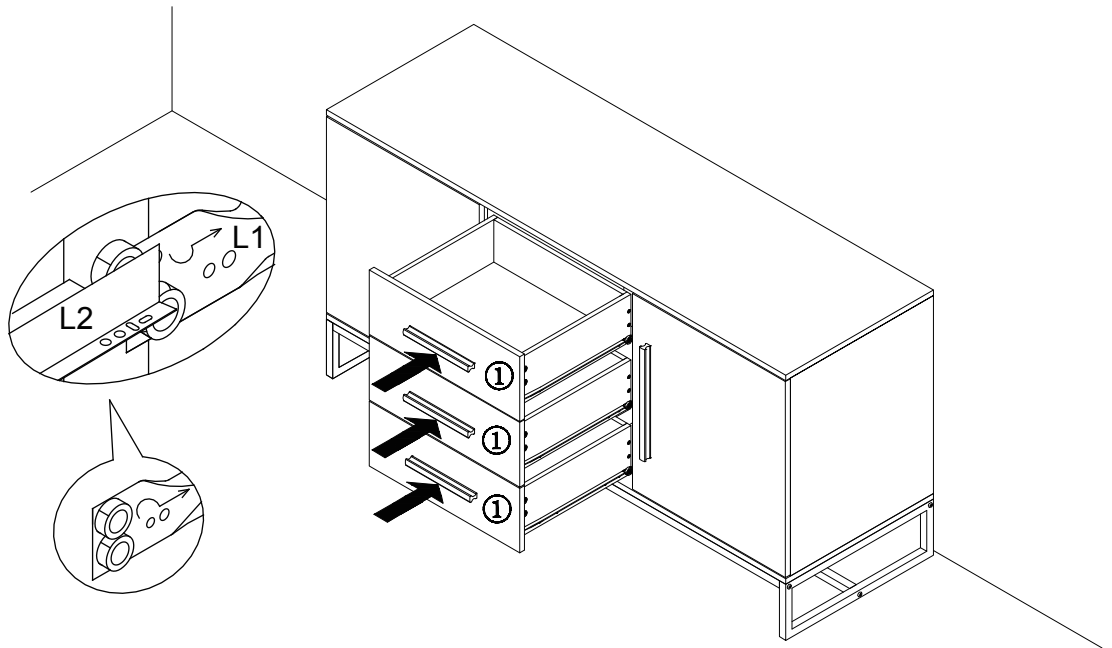


H		2 pcs
T		2 pcs



- Select location to place sideboard.
- Drill each hole in the dry wall per the length and diameter of Plastic Anchor (T) and the hole need to be at the same level as the screw hole on Bracket (R) on the underside of Top Panel.
- Press Plastic wall anchor (T) into the hole. Ensure that the anchor fits securely in the wall.
- Drive Screw (H) through the screw hole on adjustable Bracket (R) into the screw hole on (T) to secure the sideboard to the wall.

STEP 17

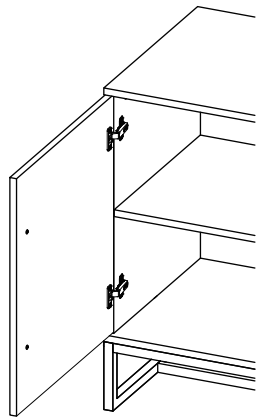


Insert the Drawers:

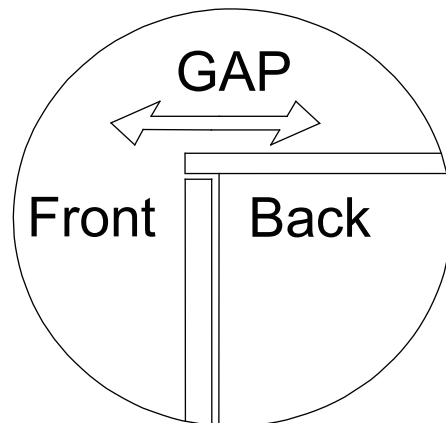
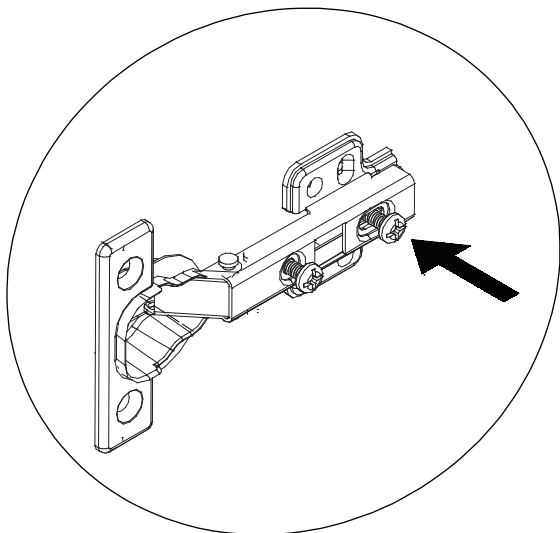
Position roller on Drawer Runner (on drawer side panel) to be above the roller on Drawer Track (on the Left & Right Divide Panel), and slide roller on Drawer Runner into the rail on the Drawer Track. Next, push in drawer squarely and gently to allow Drawer Runner to slide into Drawer Track.

STEP 18

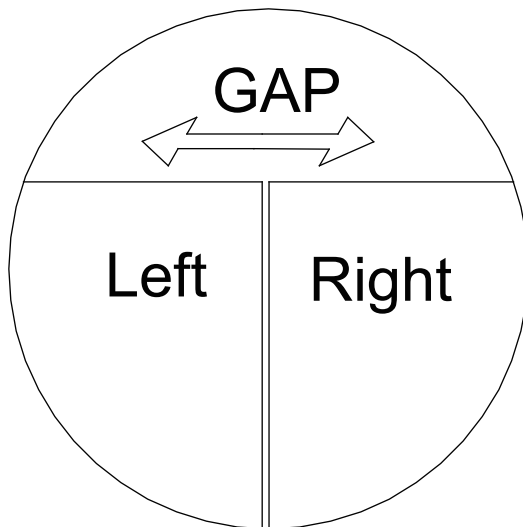
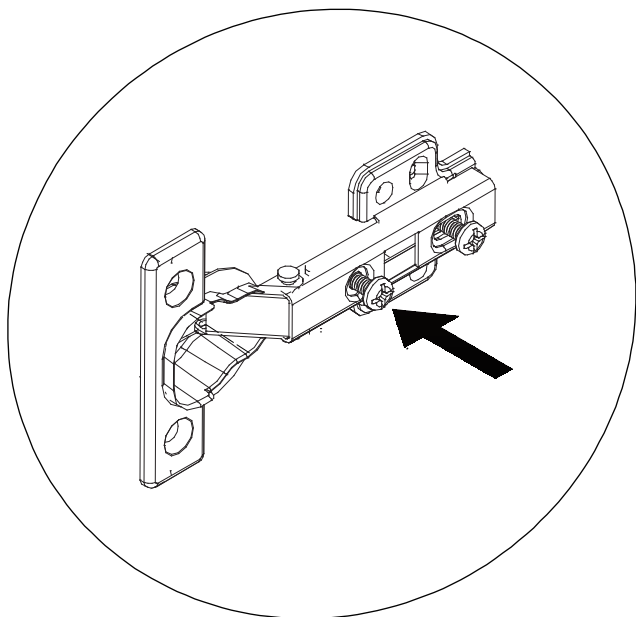
Apply STEP 18A and/or B and/or C for better door alignment, if necessary.



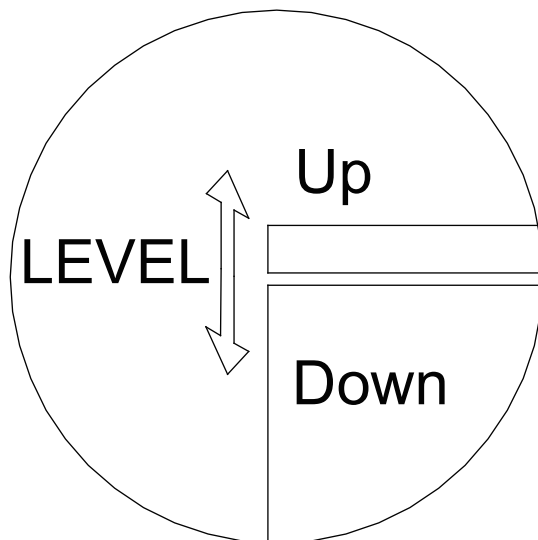
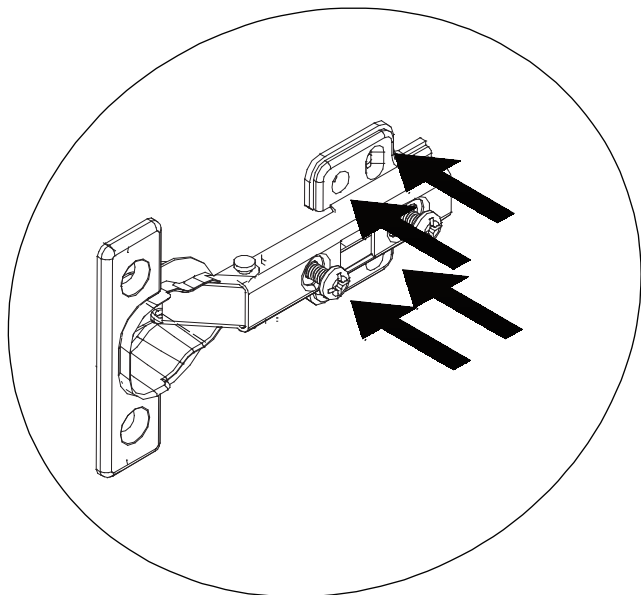
A. If the door front and back are not aligned, adjust the back screw as shown.



B. If the door left and right are not aligned, adjust the front screw as shown.



C. If the doors are not levelled, adjust the four screws as shown.



The assembly of the sideboard is complete.