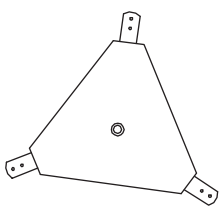

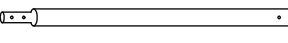
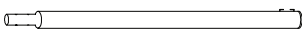







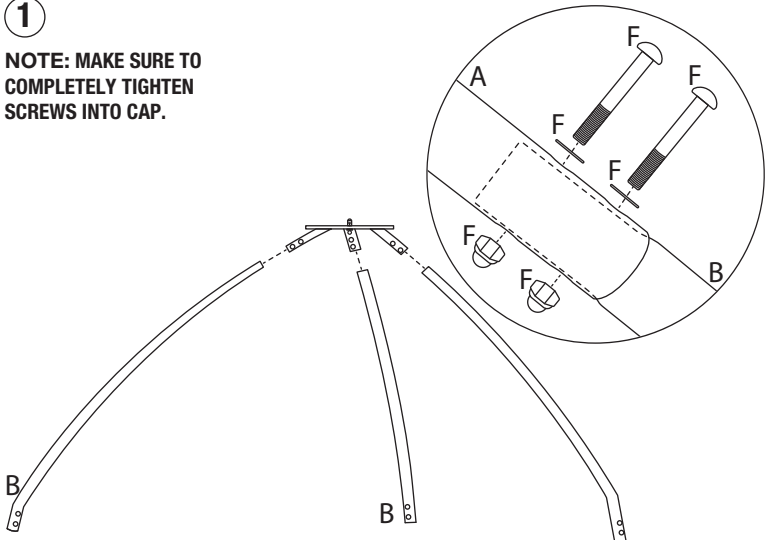
Thank you for your purchase. Please reference assembly instructions before use. Make sure all parts are present and place them side by side for easy identification.

### Package Contents:

<b>A</b> Top piece  x3	<b>B</b> Top poles  x3	<b>C</b> Center Poles  x3	<b>D</b> Bottom Poles (has hooks)  x3	<b>E</b> Chain  x1
<b>F</b> Screw, Washer, Cap  x18		<b>G</b> Connecting Rope  x1	<b>H</b> Hex Wrench  x1	<b>I</b> Hex Key  x1

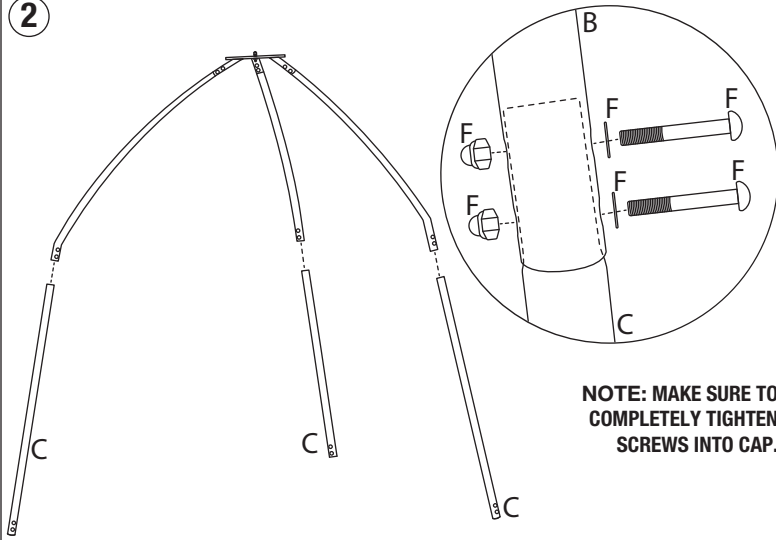
**1**

**NOTE: MAKE SURE TO COMPLETELY TIGHTEN SCREWS INTO CAP.**



**Step 1:** Slide top poles (B) into the top piece and secure by using a screw, washer and cap (F) accordingly with the hex wrench (H).

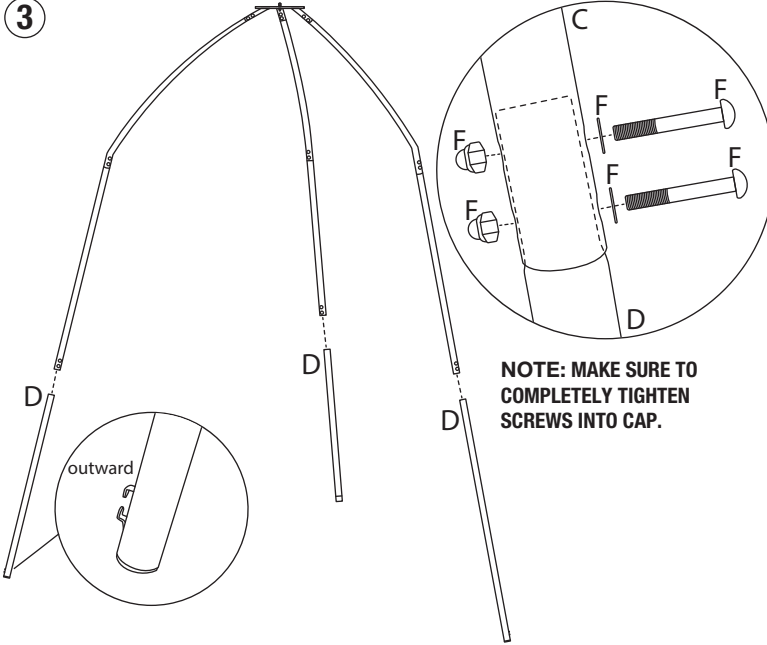
**2**



**NOTE: MAKE SURE TO COMPLETELY TIGHTEN SCREWS INTO CAP.**

**Step 2:** Proceed to insert the center poles (C) into the bottom of top poles (B) and secure similarly with screw, washer, and cap (F).

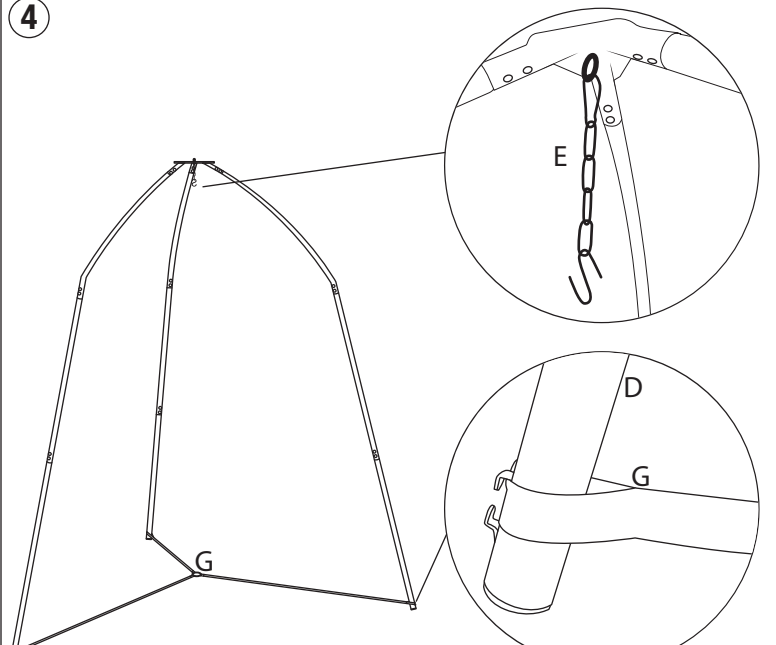
**3**



**NOTE: MAKE SURE TO COMPLETELY TIGHTEN SCREWS INTO CAP.**

**Step 3:** Connect the bottom poles (D) to the bottom of poles (C) and secure with a screw, washer and cap (F) accordingly. **Please make sure hooks on the bottom are facing outward.**

**4**



**Step 4:** Finally, attach the chain (E) onto the top piece along with the ropes (G) at the bottom. Make sure stand is secure. Enjoy!

**Step 3:** Connect the bottom poles (D) to the bottom of poles (C) and secure with a screw, washer and cap (F) accordingly. **Please make sure hooks on the bottom are facing outward.**

**Step 4:** Finally, attach the chain (E) onto the top piece along with the ropes (G) at the bottom. Make sure stand is secure. Enjoy!