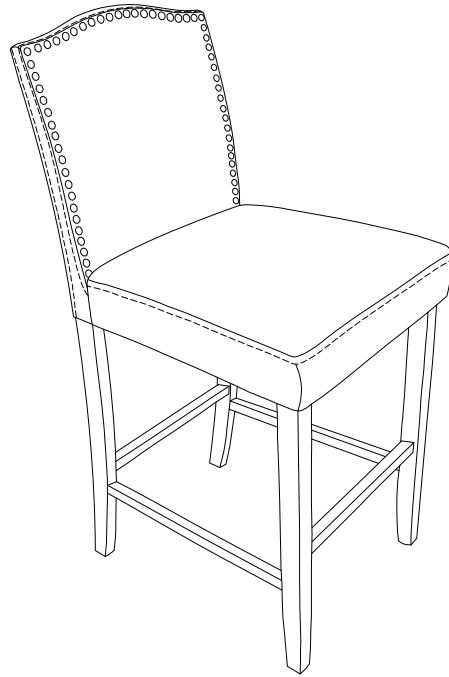


# Assembly Instructions

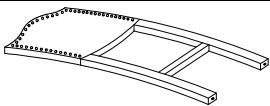



**Caution: You must read this before you proceed.**




**Please look in the velcro pouch for hardware packs and legs.**

## Bar Chair











### Parts List

Label	Picture	Description	Qty
A		Chair Back	1
B		Chair Seat	1
C		Left Front Leg	1
D		Right Front Leg	1

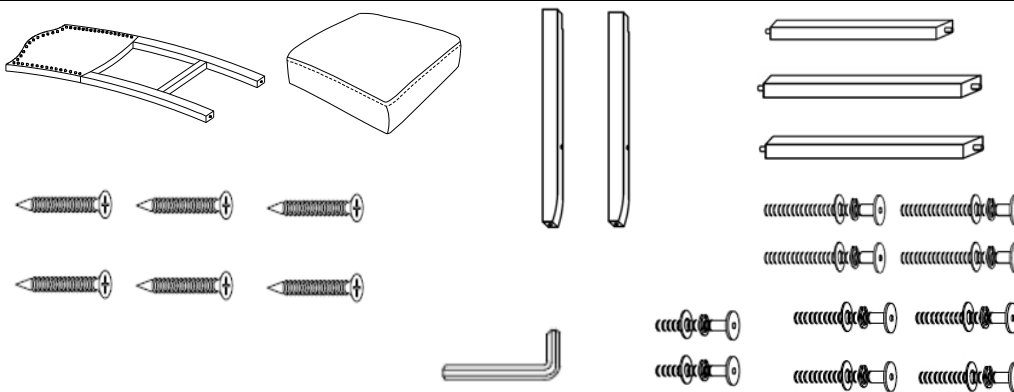
E		Left Side Rail Labelled by "E(L)"	1
F		Right Side Rail Labelled by "F(R)"	1
G		Front Rail Labelled by "G"	1

## Hardware

Label	Picture	Description	Qty
①		Bolt (M6 x 80mm)	4
②		Bolt (M6 x 50mm)	4
③		Bolt (M6 x 40mm)	2
④		Screw (M4 x 38mm)	6
⑤		Spring Washer	10
⑥		Washer	10
⑦		Allen Key	1
⑧		Screwdriver (Not provided)	1

## Assembly Preparation

### Before Beginning Assembly:



- Read instructions, cover to cover-



- Have 2 adults on hand for assembly-



- Do not assemble on flooring or carpet-



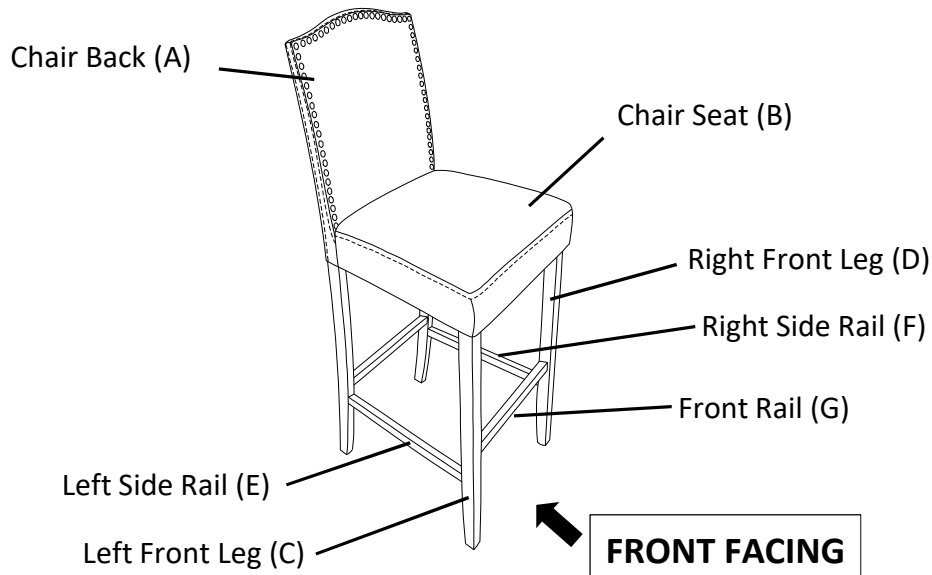
- Assemble on a clean non-marring surface (packing foam)-



- Save all packaging until finished-

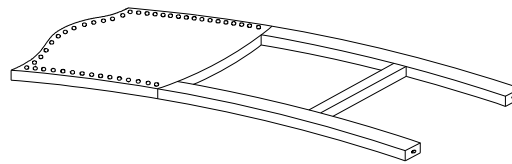
# Assembly Steps

## Overview

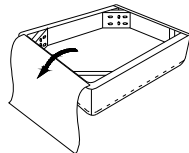


This Bar Chair has multiple parts and may require up to 30 minutes to assemble. To give you an overview of the Bar Chair parts, the above picture is to help you put the various table parts into perspective. Please read through the instructions below to familiarise yourself with the parts and steps before assembly.

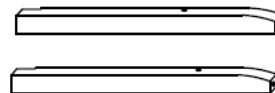
## Step 1



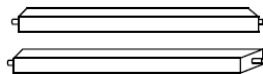
A. Chair Back



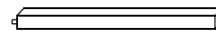
B. Chair Seat with Magic Tapes



C. Front Left Leg & D. Front Right Leg



E. Left Side Rail & F. Right Side Rail

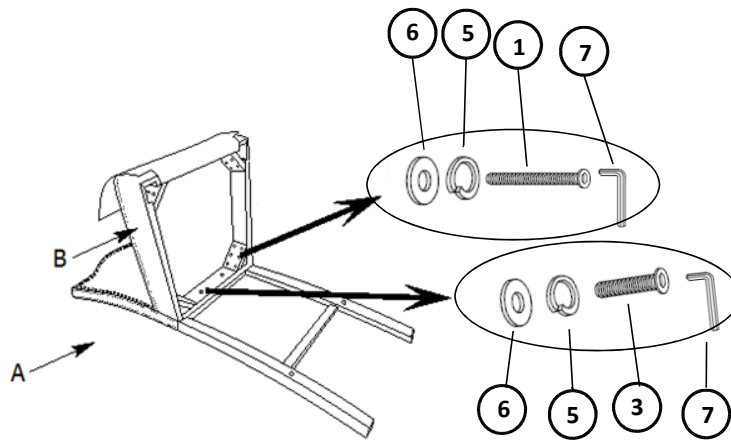


G. Front Rail

Place the Chair Back(A) and Chair Seat(B) onto a clean, non-marring surface. Carefully remove the Seat Base Cover from the underside of the Chair Seat(B) and take out all of the Parts and Hardware.

**Note: The Side Rails have slanted tenon sides, to match the Back Legs, please do not mix them.**

## Step 2



Align the mounting positions of Chair Back(A) and Chair Seat(B).

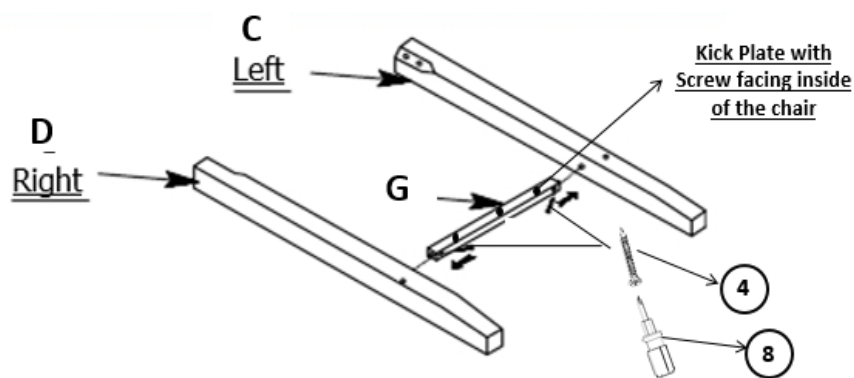
Use your hand to push the Chair Seat(B) firmly into Chair Back(A) to ensure there is no gap between them.

Then, lock the middle mounting point using Bolt(③), Spring Washer(⑤), and Washer(⑥) with Allen Key(⑦).

Finally, attach corner mounting points using Bolts(①), Spring Washers(⑤), and Washers(⑥) with Allen Key(⑦).

**Do not fully tighten the Bolts.**

## Step 3

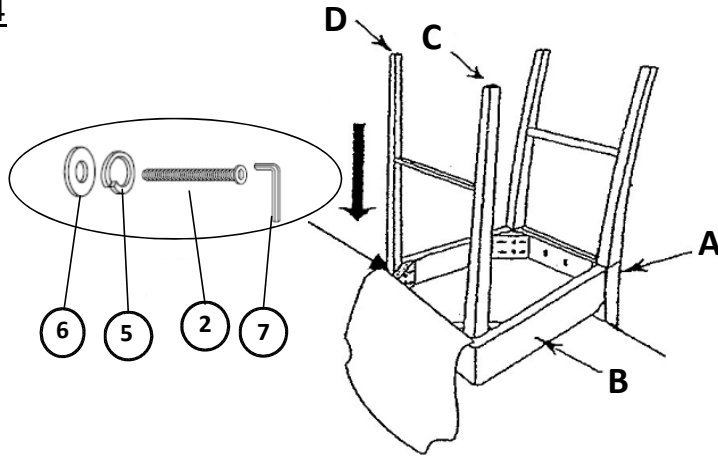


Insert the Front Rail(G) into the oval housing of Left Front Leg(C) and Right Front Leg(D) as shown above.

Attach Front Rail(G) to Left Front Leg(C) and Right Front Leg(D) using Screws(④) with Screwdriver(⑧).

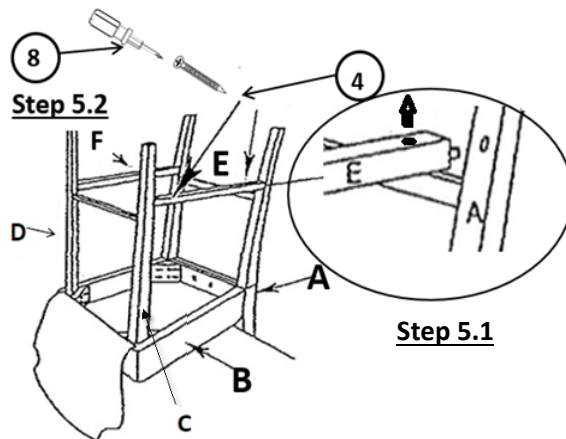
**Do not fully tighten the Screws.**

### Step 4



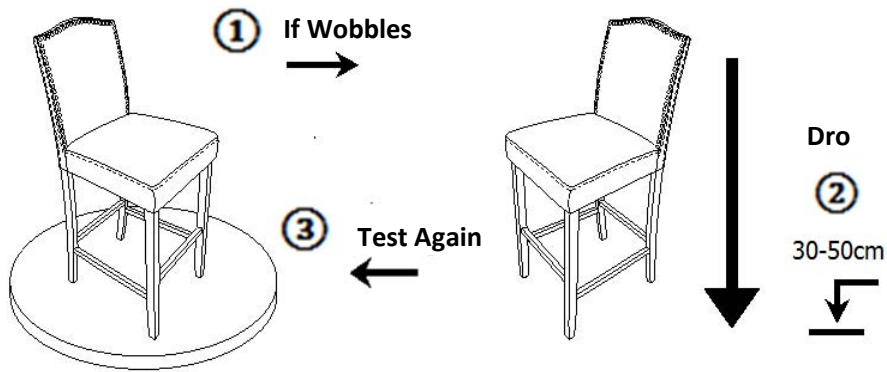
Place the Chair onto the side of a Table as seen in picture.  
Insert the Left Front Leg(C) and Right Front Leg(D) into the Chair Seat(B).  
Attach Left Front Leg(C) and Right Front Leg(D) to Chair Seat(B) using Bolts(2), Spring Washers(5), and Washers(6) with Allen Key(7).  
**Do not fully tighten the Bolts.**

### Step 5



**5.1)** Place Left Side Rail(E) into housing between the Hind Leg of Chair Back(A) and Left Leg(C) and attach using Screws(4) with Screwdriver(8).  
**Note: You may need to apply a little pressure to the Front Leg Frame, pulling outwards, to enable the Left Side Rail(E) to be slotted into position.**  
**5.2)** Repeat the same process to install the Right Side Rail(F).  
**Do not fully tighten the Screws. Please ensure the Right & Left Side Rail with drill hole facing up as pictured.**

## Step 6



Place the Bar Chair on a Level Surface to check if it wobbles.

If it wobbles, lift the Bar Chair some 30cm to 50cm high from the ground, keep your feet and toes well away from the drop zone, and drop the Bar Chair freely and vertically with the four legs, hitting the ground at the same time.

This Drop Test will help to ensure that all the Bolts and gaps to all reach full alignment.

Test again for evenness on a Level Surface.

**If no wobbles are found, proceed to tighten all the Bolts and Screws.**

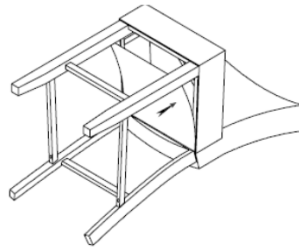
**When tightening the Bolts and Screws, tighten sequentially.**

**Do not tighten any Bolt or Screw fully and then move on towards the next one, this could cause the frame to warp.**

If it still wobbles, loosen the Bolts and execute this same drop test.

**If the Bar Chair is not Stable it could lead to damage to the product.**

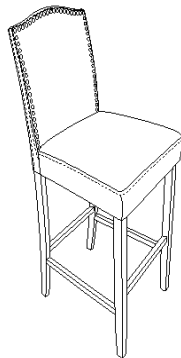
## Step 7



Place the Seat Base Cover back underneath the Chair Seat.

Smooth down with your hand on the Magic Tape on all four sides at the edge of the Seat.














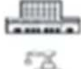






## Step 8



Your Bar Chair is ready for use.

**This Bar Chair can only be used on a flat, level surface.**

## Care & Maintenance

-   ● Do not put hot items directly on furniture surface
  -   ● Do not clean furniture with harsh cleansers or polish.
  -   ● Do not place furniture under direct sunlight.
  -   ● Do not place furniture near heating or cooling vents.
  -   ● Do not write on furniture without a padded barrier to protect the surface.
  -   ● Do not place furniture outside . For indoor use only .
  -   ● Not for commercial use. For residential use only .
  -   ● Stains may be removed with mild soap solution and damp cloth.
  -   ● Children should not climb or jump on the furniture.
- 
-   ● Dust and pick-up spills using a clean, non-colored, lint-free cloth .