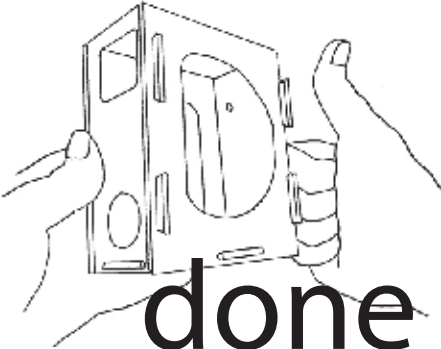
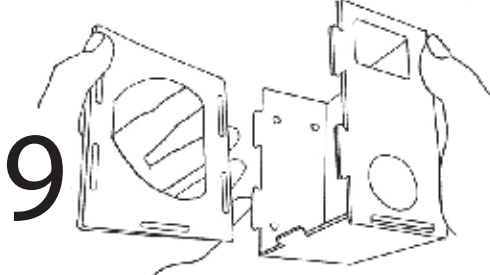
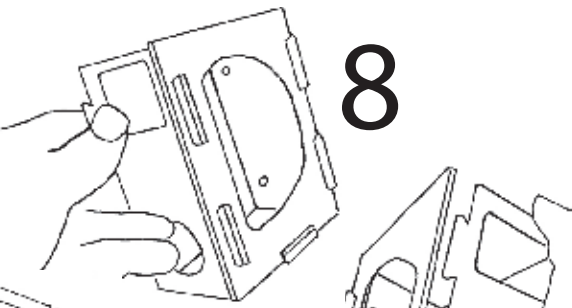
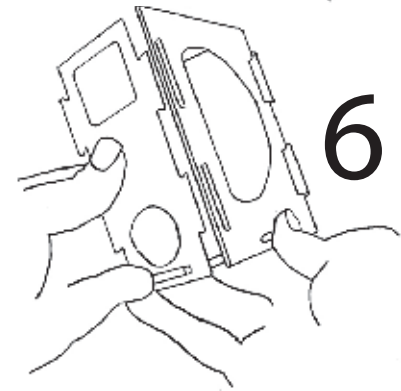
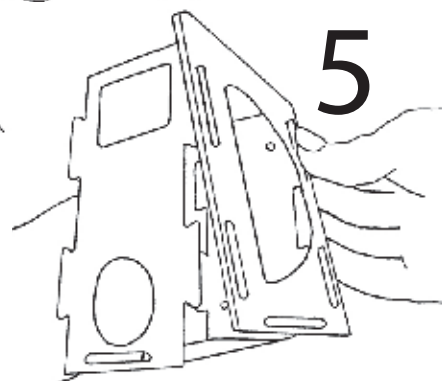
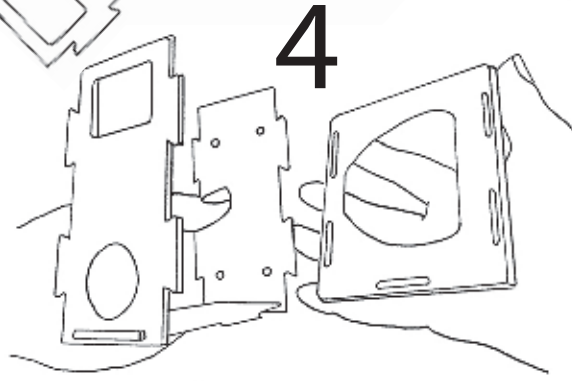
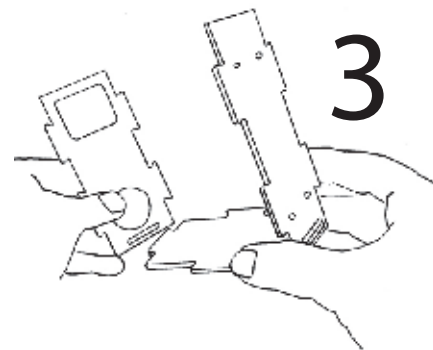
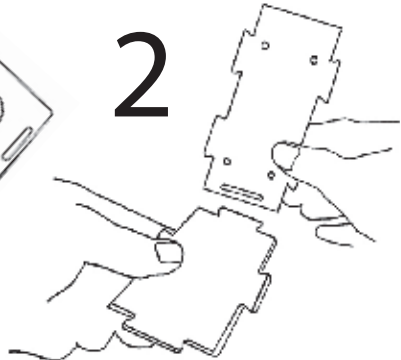
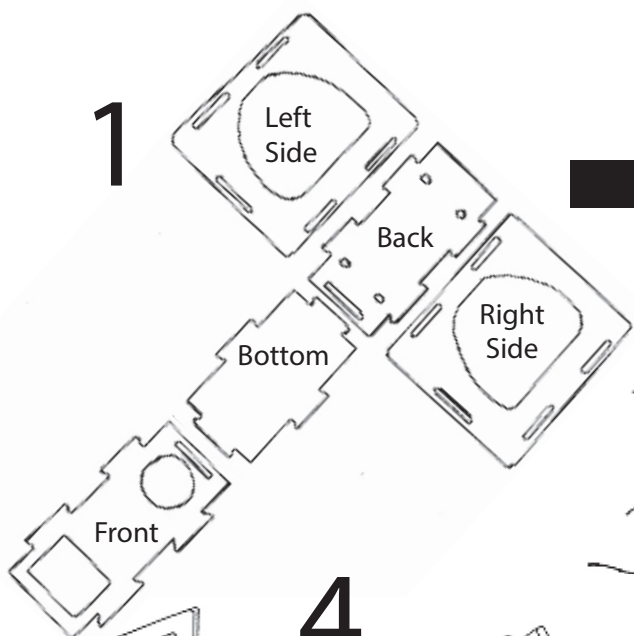


Litter Box ODOR ABSORBER HOLDER

Snap Together Assembly Instructions



Snap Together Assembly Instructions

- 1.) **IMPORTANT:** Laying the parts out first will make assembly easy.
- 2.) Snap the Bottom tab into the Back.
- 3.) Snap the Front onto the Bottom tab.
- 4.) See the reverse "D" shape on Right Side. That shape matches the cut out on the "Frig & Frezz-r" Baking Soda Box side.
- 5.) Snap first tab of the Right Side.
- 6.) Snap other tabs working clockwise.
- 7.) Snap last two tabs of Right Side.
- 8.) Looking good, Right Side on.
- 9.) Note the direction of the "D" shape on the Left Side.
- 10.) Continue to snap the tabs into place.
- 11.) Snap the last tab of the Left Side.
Done.

Now, your Baking Soda Box Holder is ready to be installed in STEP 12 of the cabinet Assembly Instructions.

NOTE: "@rm and h@mmmer Baking Soda "Frig & Frezz-r" boxes (the sides tear off in a "D" shape) available at most market stores. P.S. They would NOT let me include a box or use their Trade Name...

done