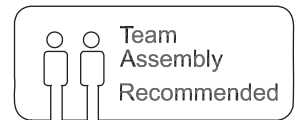
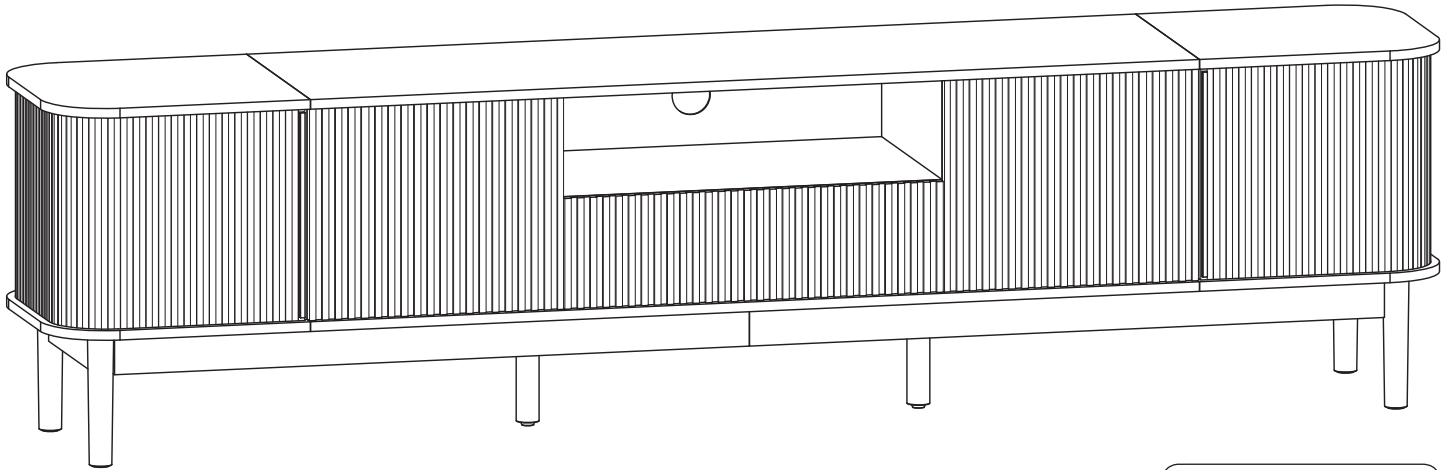


# Assembly Instruction



## Trouble shooting:

Missing / Wrong / Broken parts and installation issues



Send email with your question pic, order NO. and screenshot of order details



Respond within 24 hours



Issue resolved

## Tips!



1. Check all the components & screws are intact before assembling .
  2. If you notice any pieces are missing or damaged please do not assemble and contact us immediately .
  3. **Please send an email with you order number and issues, we will respond within 24 hours.**
- Customer Service Team**

## IMPORTANT SAFETY INFORMATION

Please carefully read the following instructions and caution warnings before assembling the product.

Following this guide will ensure that you install, use and maintain the product properly.

Please keep this installation and user manual/instructions for future reference in case you need to disassemble the product.

Never allow children to climb onto the product. Ensure that you have special safety measures when children are around on their own.

Be sure to check that all parts of the product are intact after you open the package.

Do not assemble if you notice serious damage such as cracks or bends.

During installation, please use work gloves for hand safety.

Please assemble the unit on carpeted floor or the flat cardboard box to avoid scratching the surface or your floor while assembling on the floor.

To assemble, please use the complimentary installation tools (Phillips screwdriver). Pay more attention to the direction of components at each steps.

It is recommended that two people work together to assemble the product.

## RETURN POLICY

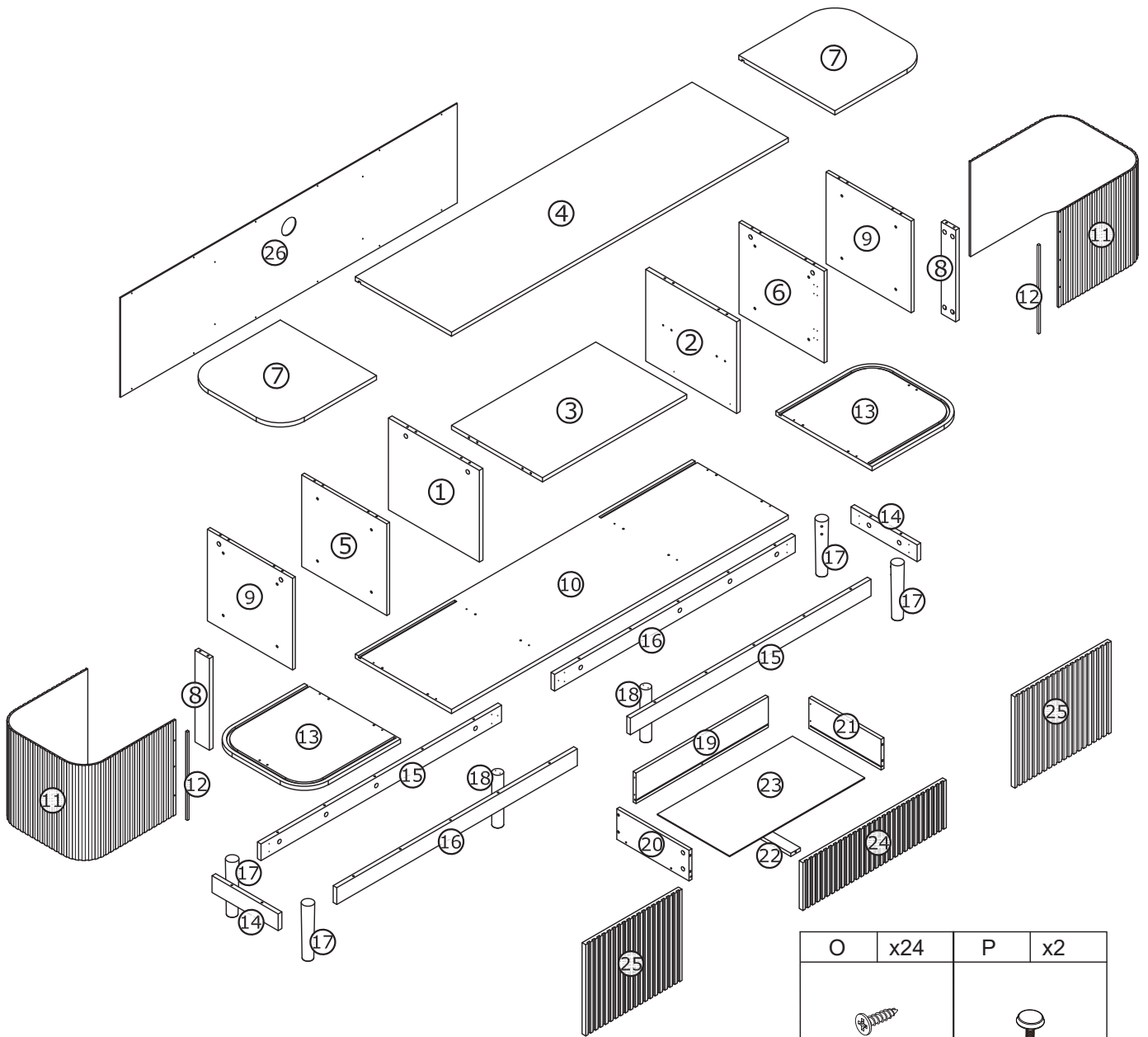
Please contact us directly within 30 days after receiving.



Please ensure the product is in a good condition with the original box and all original certificates of purchase, manuals, and accessories attached.

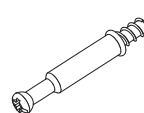
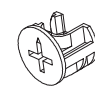
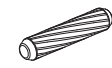
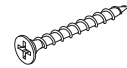


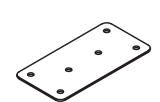
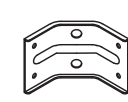



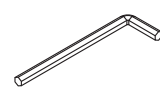
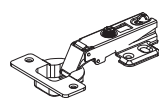

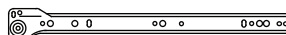
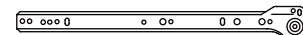
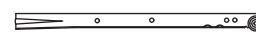

## HOW TO MAINTAIN YOUR PRODUCT:

- Check the screws of the product are not loose from regular use.
- Do not use sharp instruments, rubbing alcohol, corrosive chemicals, or abrasive cleaners to clean the product.
- Do not keep the product in a damp environment for a long period of time.  
The damp environment may cause the iron components to rust and the plates to bulge and crack.

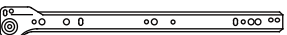


# Packing list



O	x24	P	x2
			
Ø3.5*12			

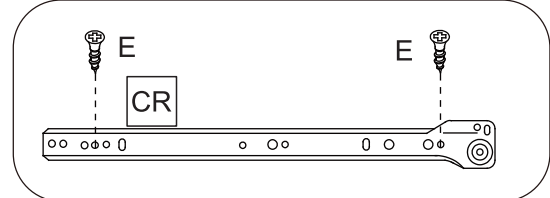
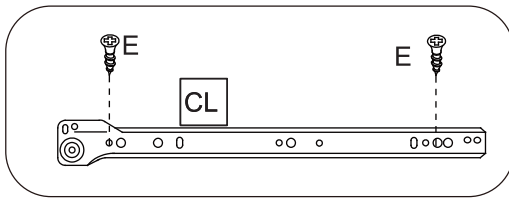
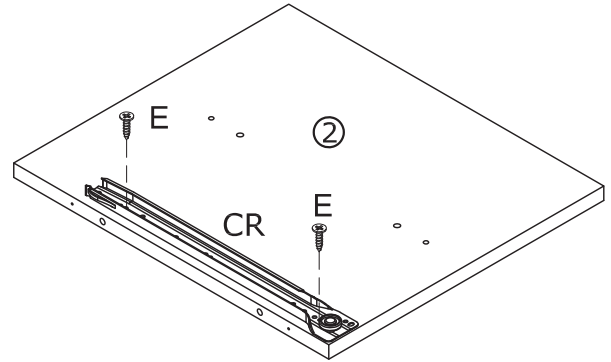
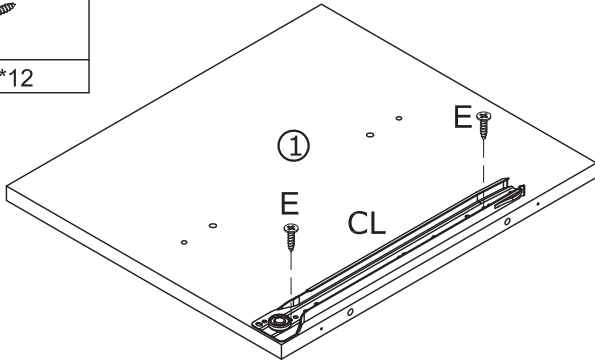
A	x49	B	x49	C	x32	D	x21	E	x8	F	x8	G	x2		
															
M6*35		Ø15*10		Ø6*30		Ø4*40		Ø3*12		M6*12					
H	x4	I	x2	J	x42	K	x8	L	x1	M	x4	N	x16		
															
				Ø4*14		M6*30		M4				Ø3*14			
CL		x1		CR		x1		DL		x1		DR		x1	
															
300MM				300MM				300MM				300MM			

# STEP1

CL	x1	CR	x1
			
300MM		300MM	
E	x4		
			
Ø3*12			

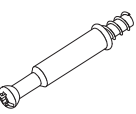
Fix right outer drawer runner (CL) to parts ① using screws (E), as shown.

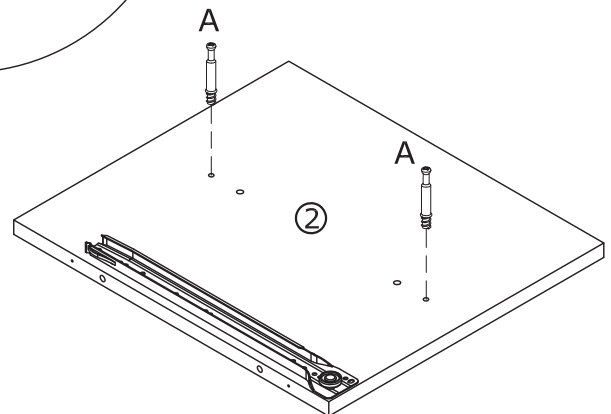
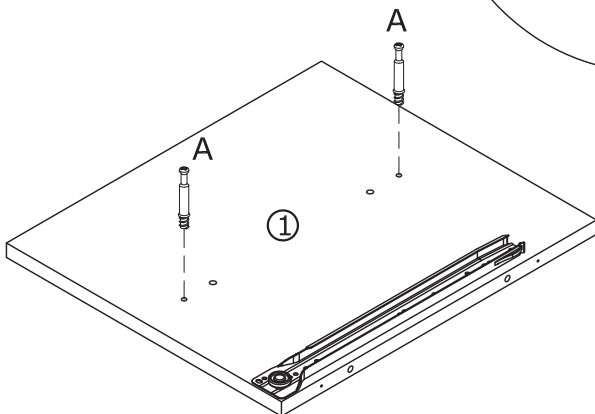
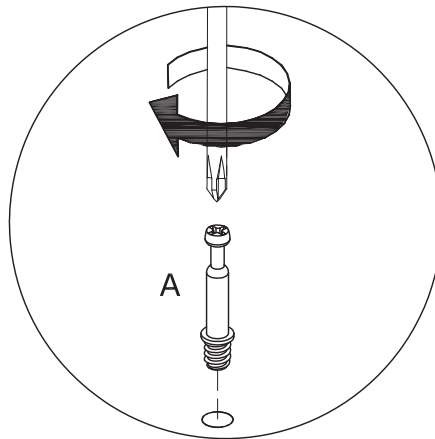
Fix right outer drawer runner (CR) to parts ② using screws (E), as shown.



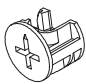
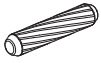
# STEP2

Insert quickfit screws (A) into corresponding holes in part ① ② as shown.

A	x4
	
M6*35	

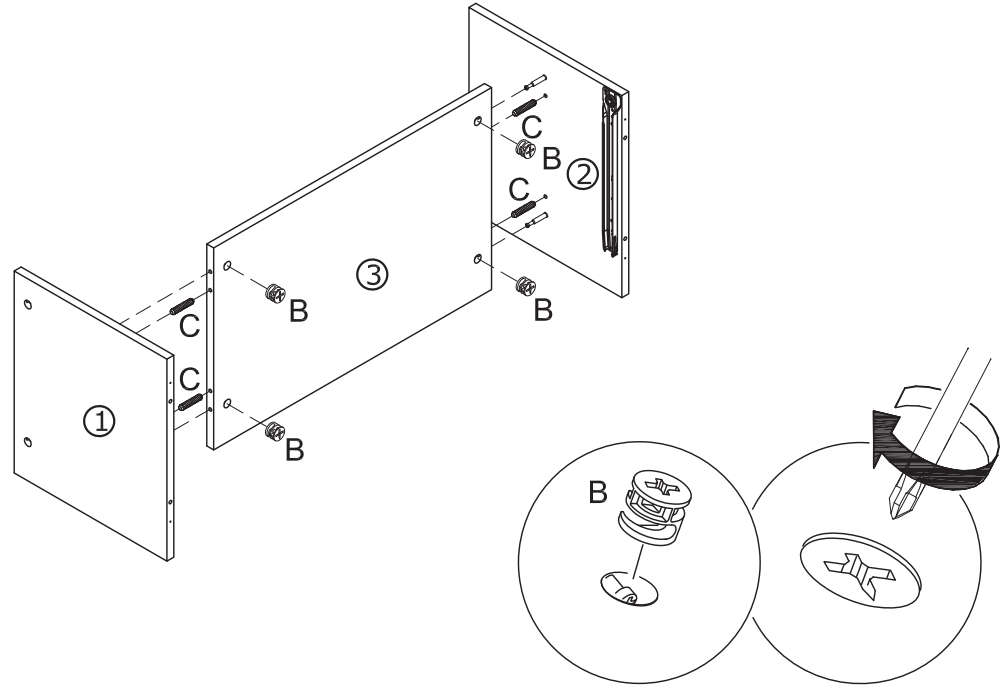


# STEP3

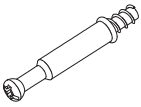
B	x4
	
Ø15*10	
C	x4
	
Ø6*30	

Insert wooden dowels (C) into part ③, as shown.

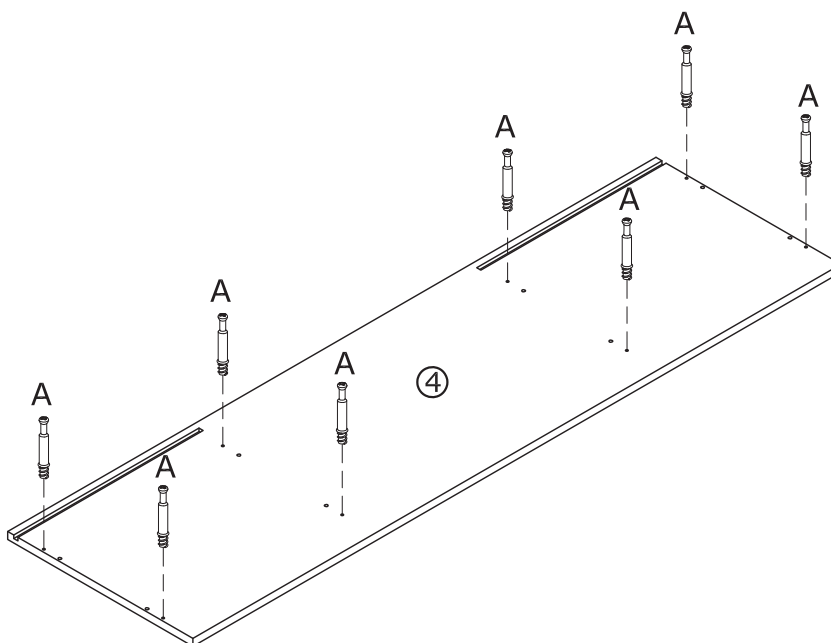
Insert cam locks (B) into parts ③ and attach parts ① ② as shown. Turn cam locks clockwise to tighten.



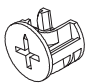
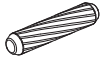
# STEP4

A	x8
	
M6*35	

Insert quickfit screws (A) into corresponding holes in part ④ as shown.

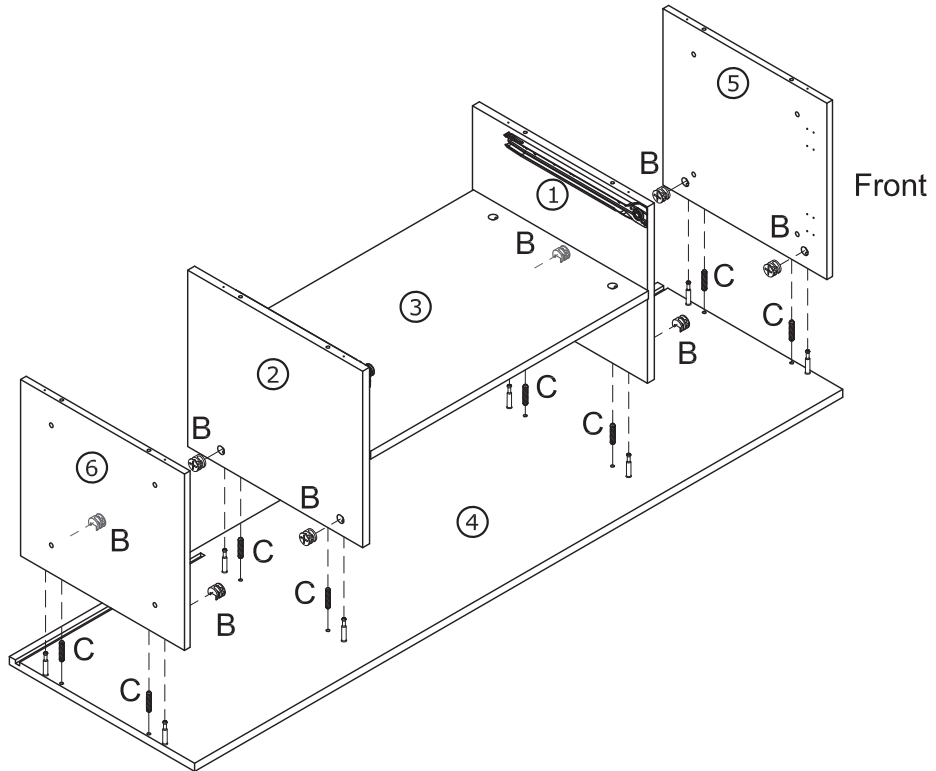


# STEP5

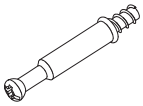
B	x8
	
Ø15*10	
C	x8
	
Ø6*30	

Insert wooden dowels (C) into part ④, as shown.

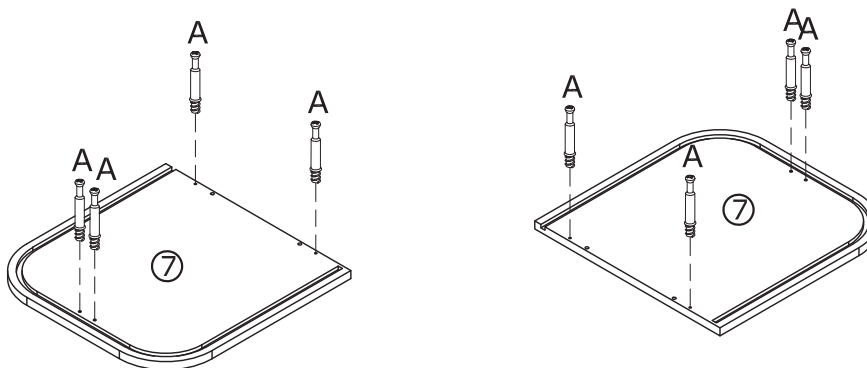
Insert cam locks(B) into parts ① ② ⑤ ⑥ and attach part ④ as shown. Turn cam locks clockwise to tighten.



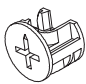
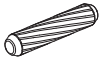
# STEP6

A	x8
	
M6*35	

Insert quickfit screws(A) into corresponding holes in parts ⑦ as shown.

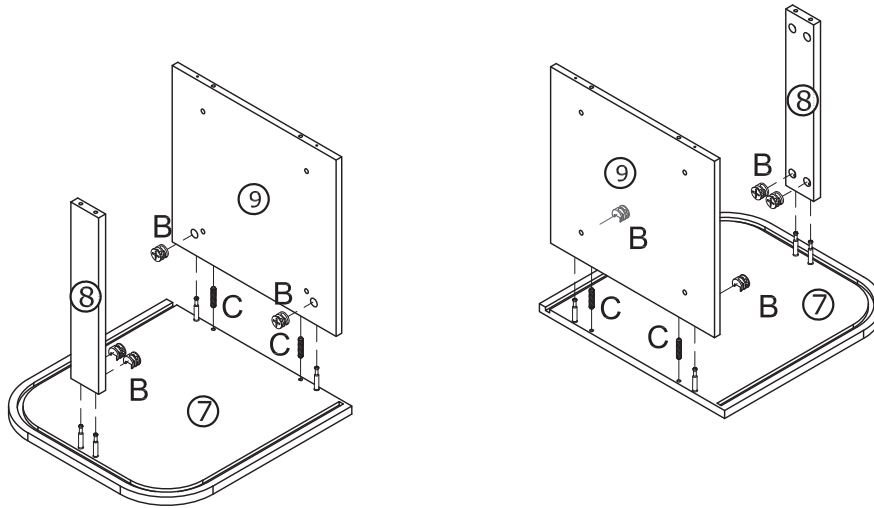


# STEP 7


B	x8
	
Ø15*10	
C	x4
	
Ø6*30	

Insert wooden dowels (C) into parts ⑦, as shown.

Insert cam locks (B) into parts ⑧ ⑨ and attach parts ⑦ as shown. Turn cam locks clockwise to tighten.

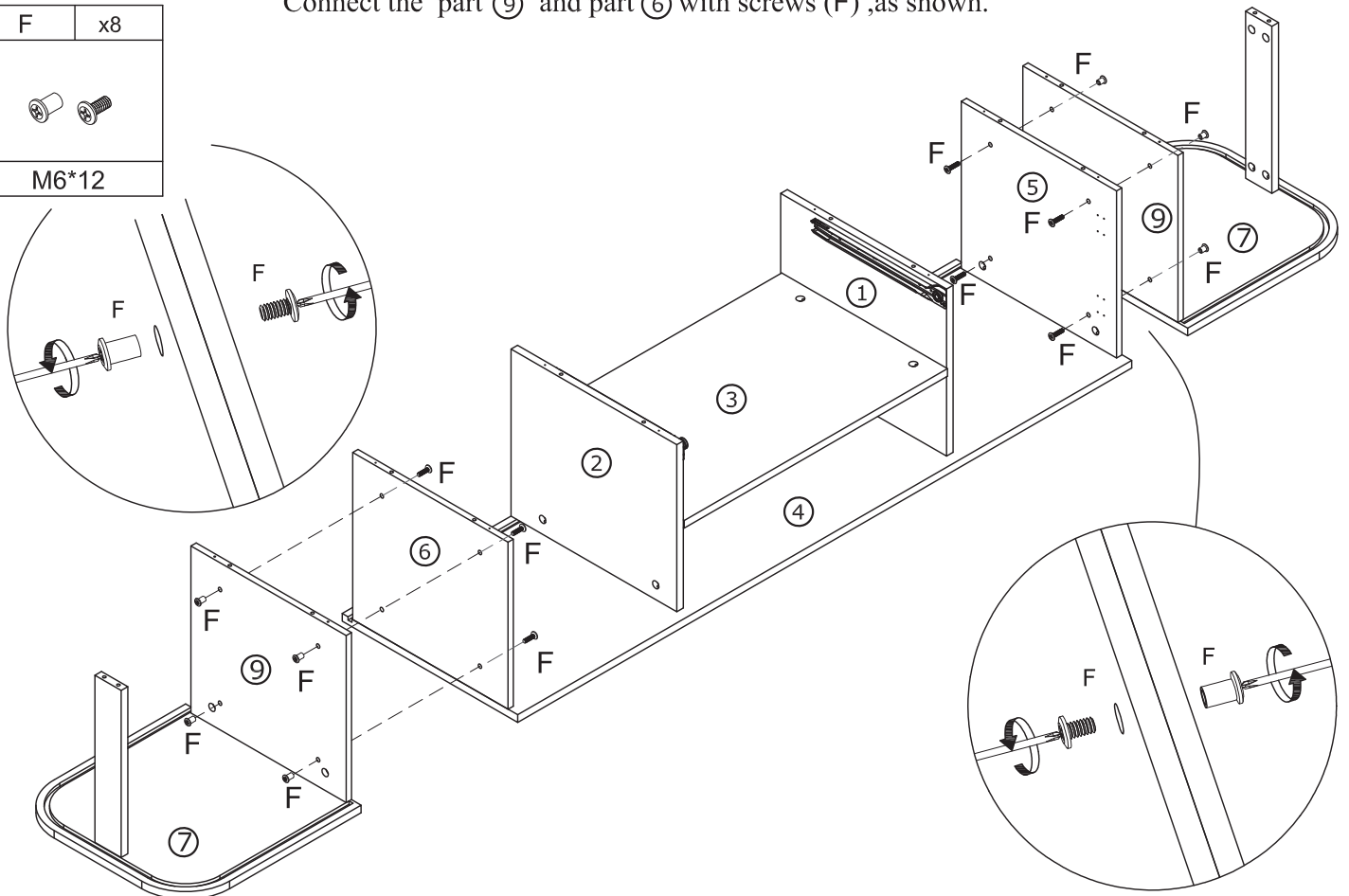


# STEP 8

F	x8
	
M6*12	

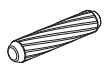

Connect the part ⑨ and part ⑤ with screws (F), as shown.

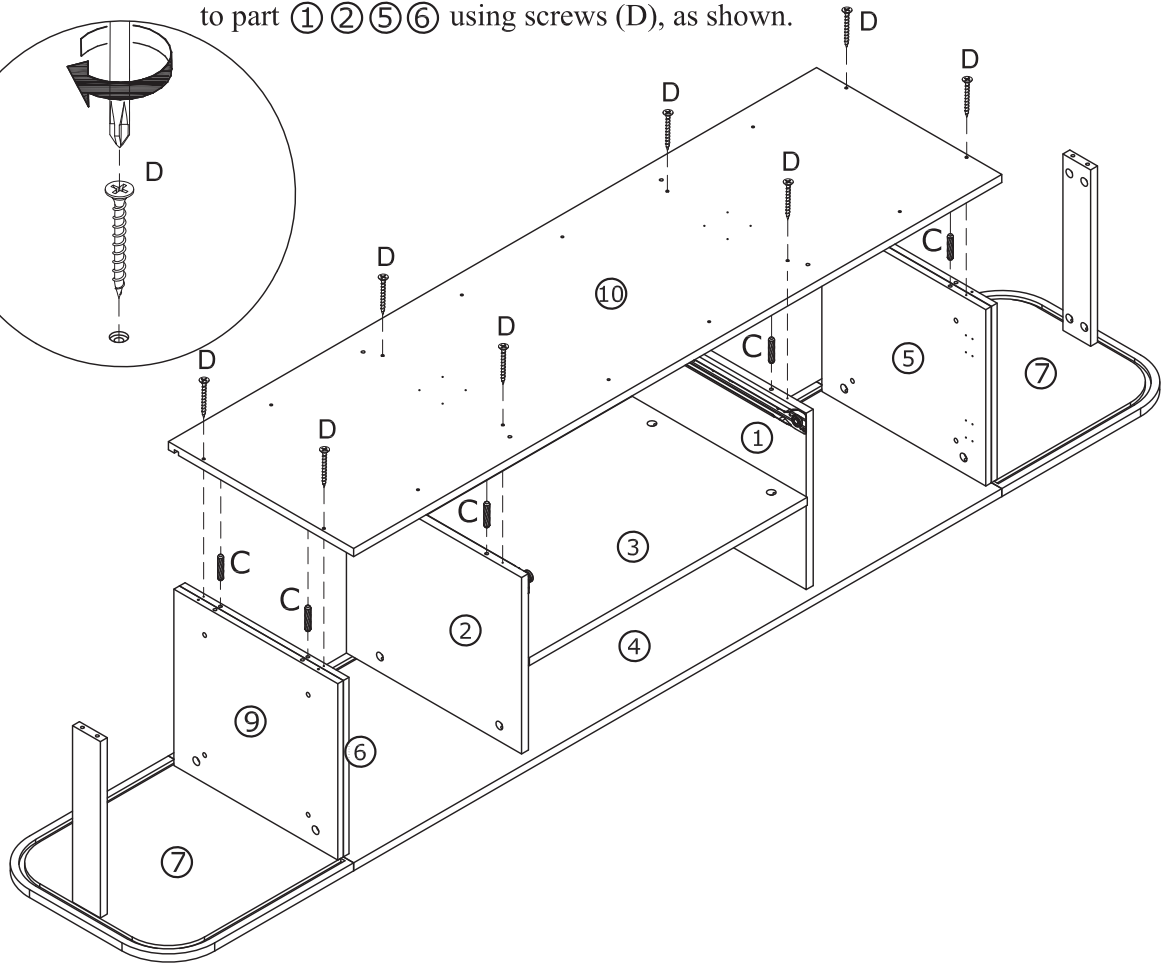
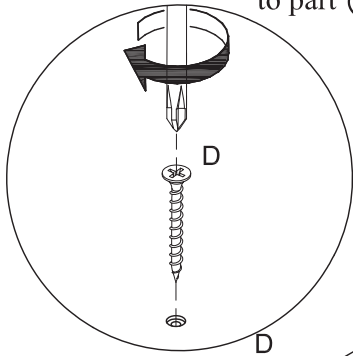
Connect the part ⑨ and part ⑥ with screws (F), as shown.



# STEP 9


Insert wooden dowels (C) into part ① ② ⑤ ⑥ ,as shown. Attach part ⑩ to part ① ② ⑤ ⑥ using screws (D), as shown.

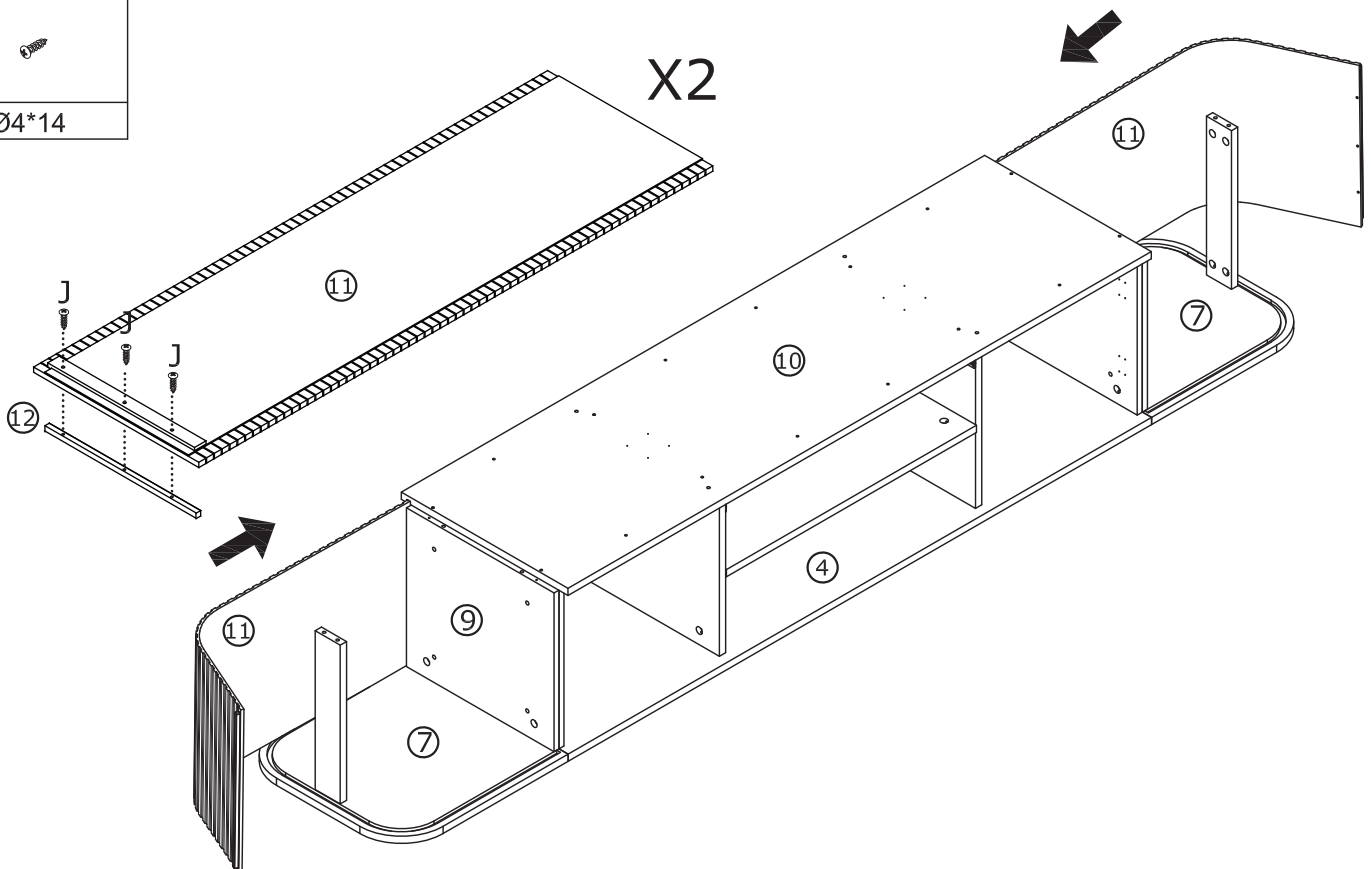
C	x8
	
Ø6*30	
D	x8
	
Ø4*40	



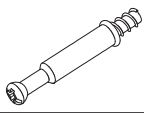
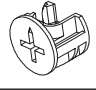
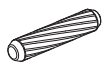

# STEP 10

Thread screw (J) through part ⑪ and connect it to handle ⑫,as shown. Slide part ⑪ into available slots of parts ⑩ and 4' as shown.

J	x6
	
Ø4*14	



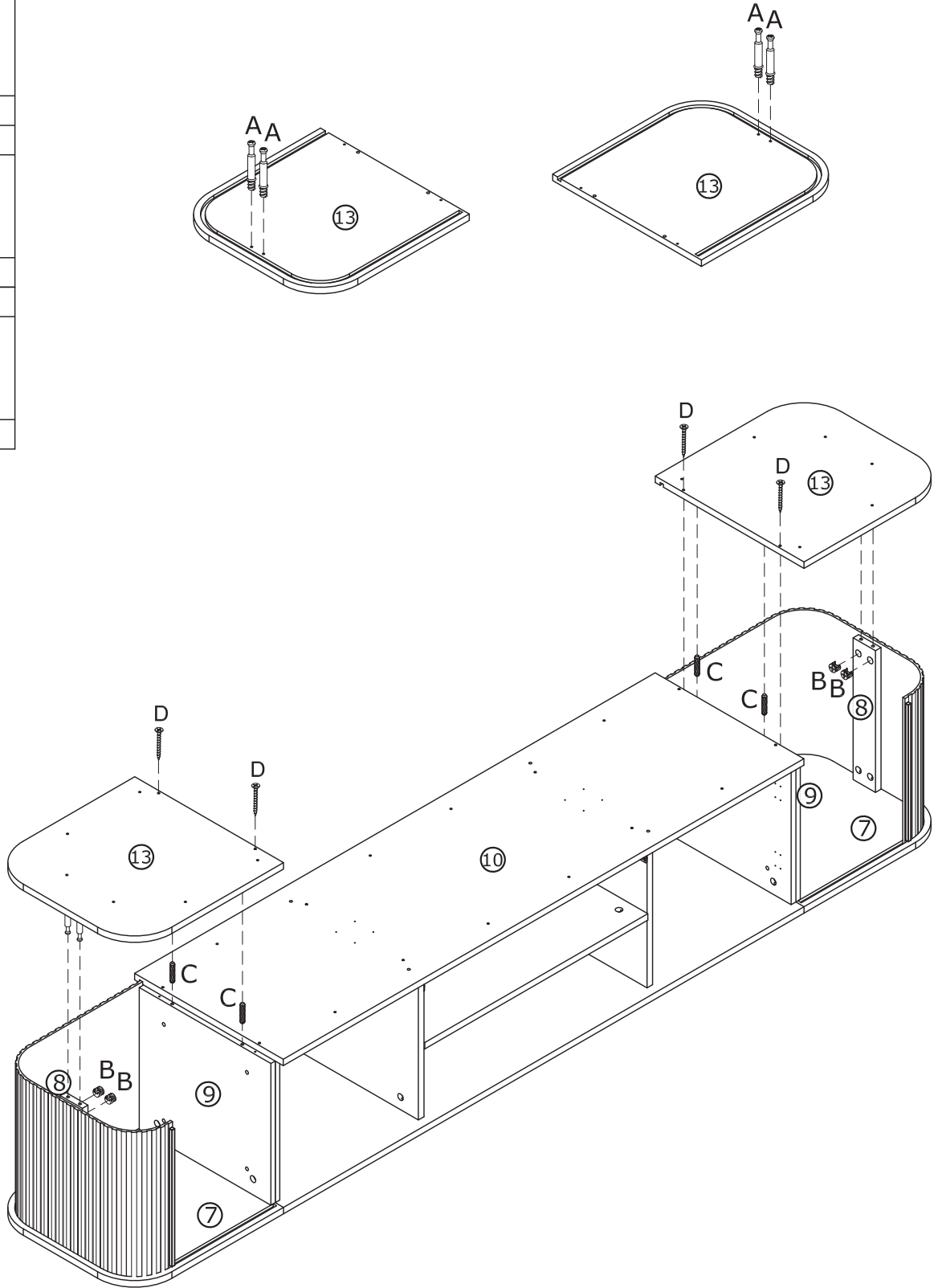
# STEP 11

A	x4
	
M6*35	
B	x4
	
Ø15*10	
C	x4
	
Ø6*30	
D	x4
	
Ø4*40	

Insert quickfit screws(A) into corresponding holes in parts ⑬ as shown.

Insert wooden dowels (C) into part ⑨, as shown. Attach parts ⑬ to parts ⑨ using screws (D), as shown.

Insert cam locks(B) into parts ⑧ and attach parts ⑬ as shown. Turn cam locks clockwise to tighten.

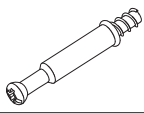
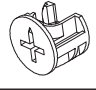
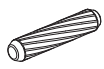


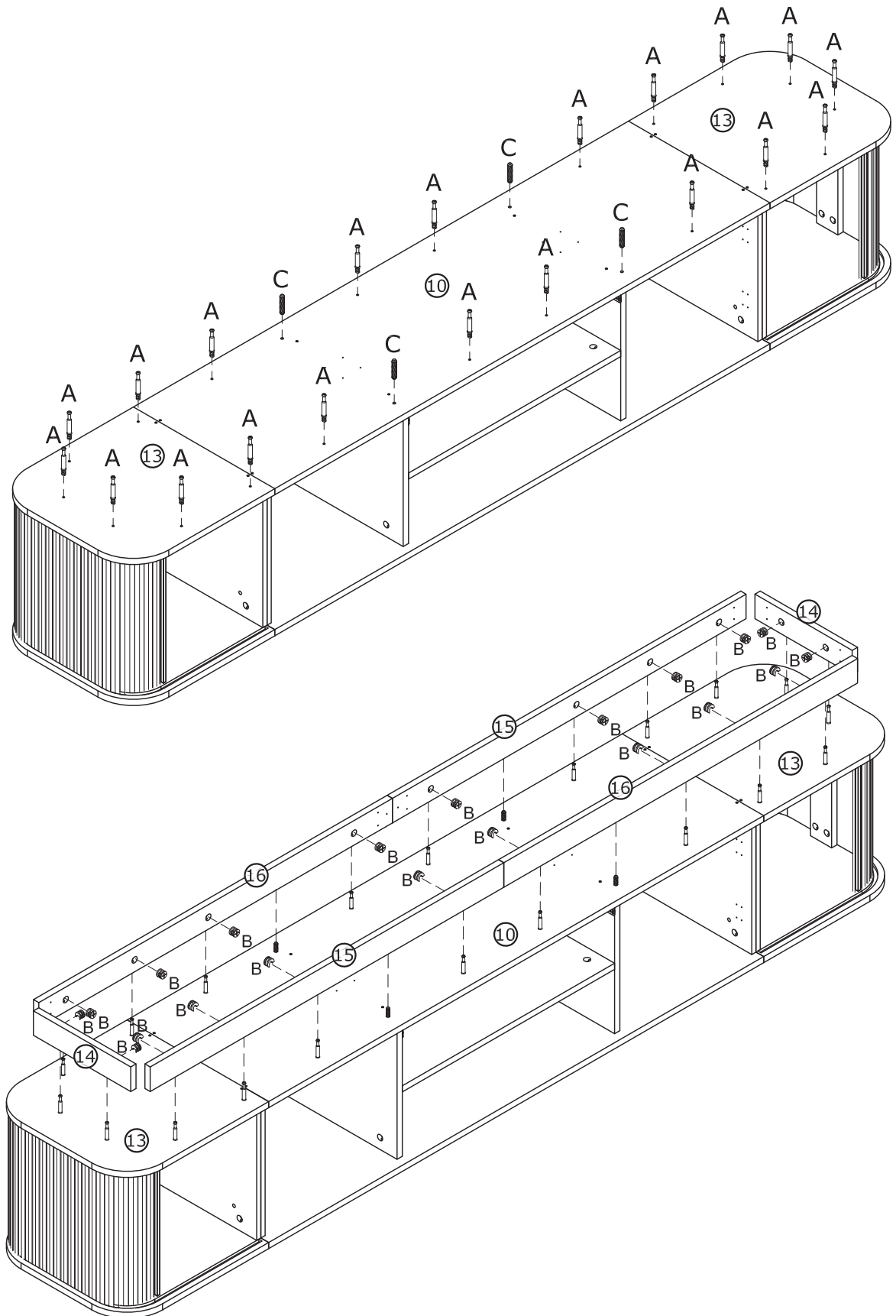
# STEP 12

Insert quickfit screws(A) into corresponding holes in parts ⑩ ⑬ as shown.

Insert wooden dowels (C) into part ⑩ ,as shown.

Insert cam locks(B) into parts ⑭ ⑮ ⑯ and attach parts ⑩ ⑬ as shown. Turn cam locks clockwise to tighten.

A	x20
	
M6*35	
B	x20
	
Ø15*10	
C	x4
	
Ø6*30	



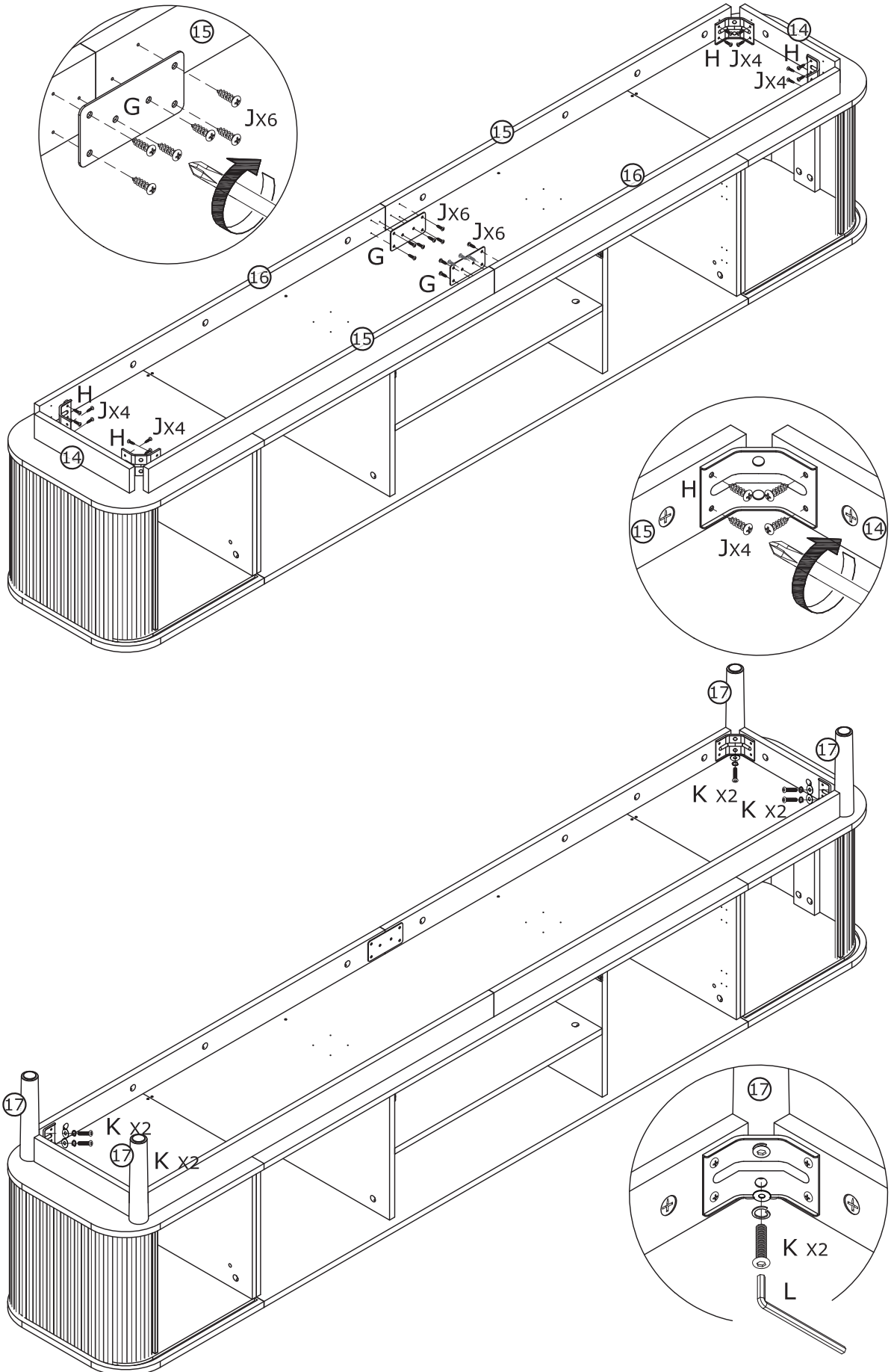
# STEP 13

Fix Connector (G) to parts ⑮⑯ using screws (J), as shown.

Fix Connector (H) to parts ⑭⑮⑯ using screws (J), as shown.

Thread screw (K) through Connector (H) and leg ⑰ fit together use hex key (L).

G	x2
H	x4
J	x28
Ø4*14	
K	x8
M6*30	
L	x1
M4	







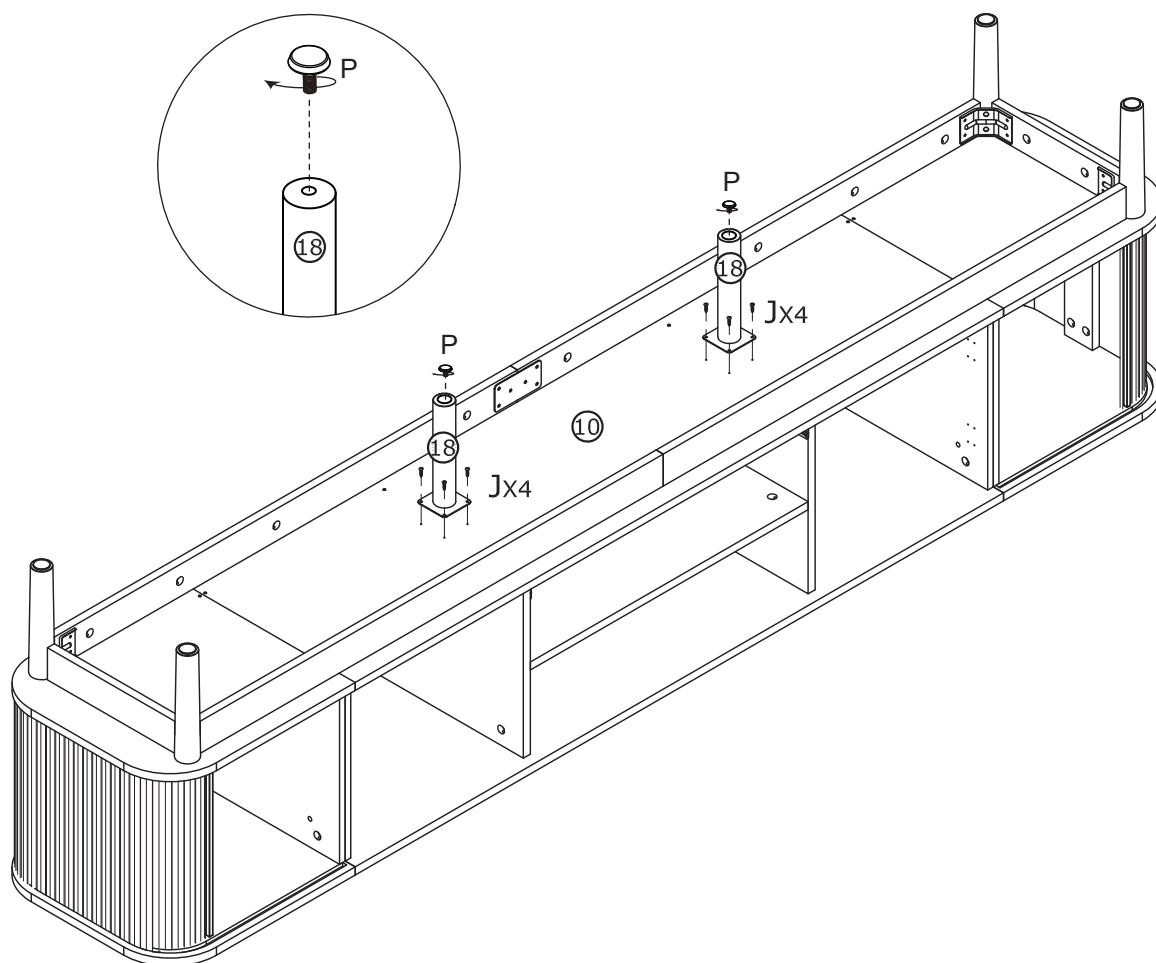
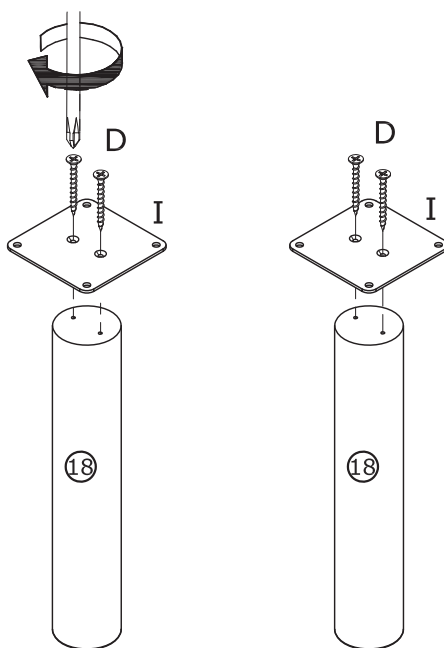
# STEP 14

Fix iron sheet (I) to legs ⑱ using screws (D), as shown.

Thread screw (J) through iron sheet (I) and connect it to board ⑩, as shown.

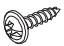
Fix the adjustable foot pad (P) to the leg ⑱

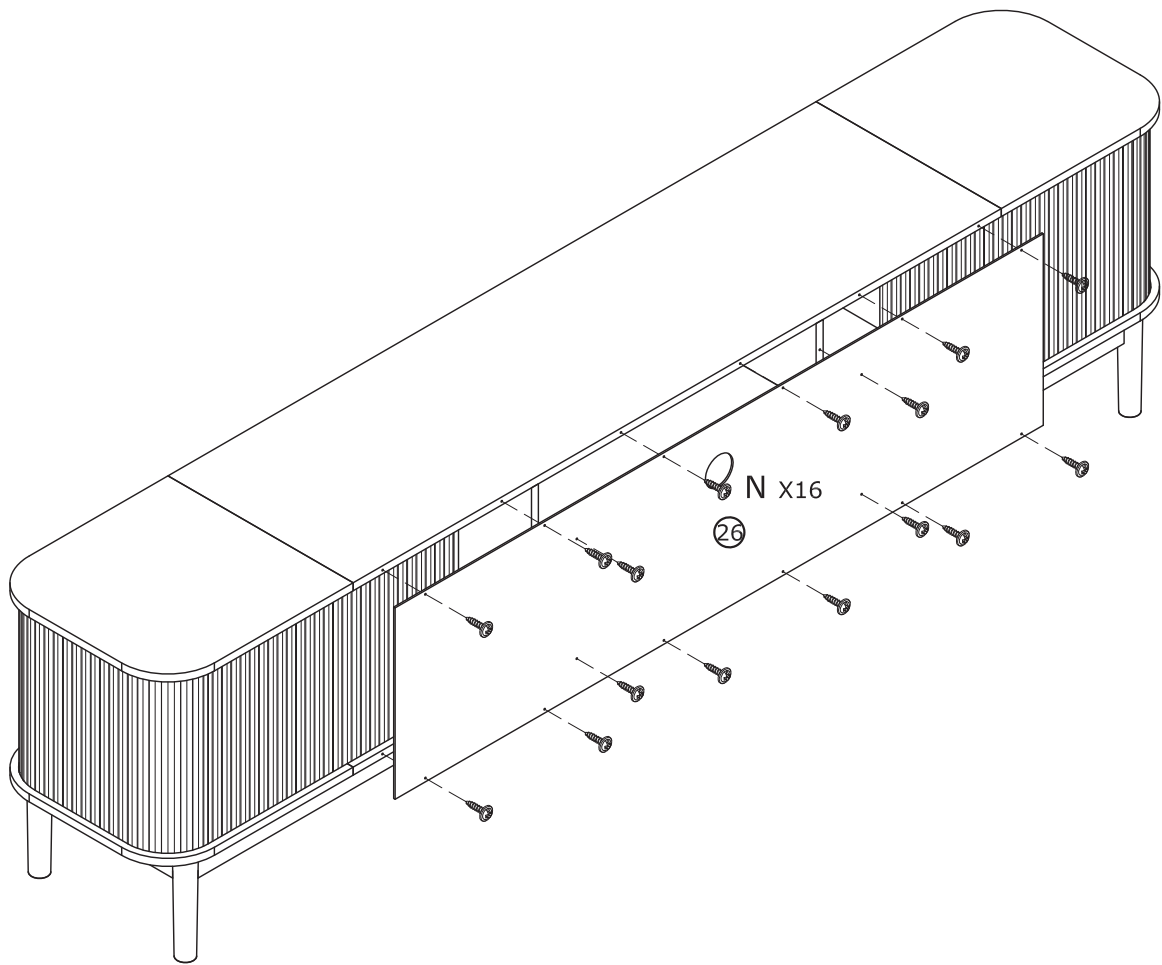
D	x4
	
Ø4*40	
I	x2
	
J	x8
	
Ø4*14	
P	x2
	



# STEP 15

Attach backplane ②⑥ using screws(N), as shown.

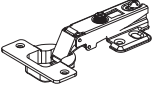

N	x16
	
Ø3*14	

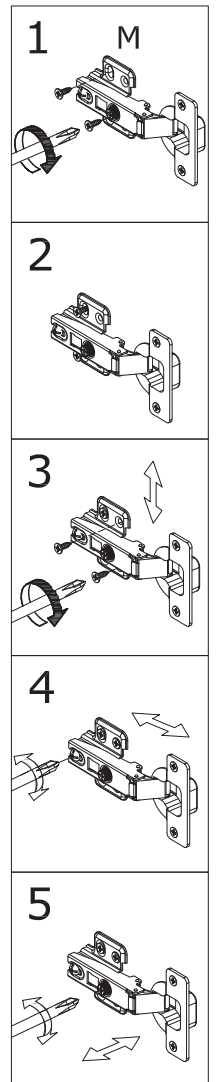
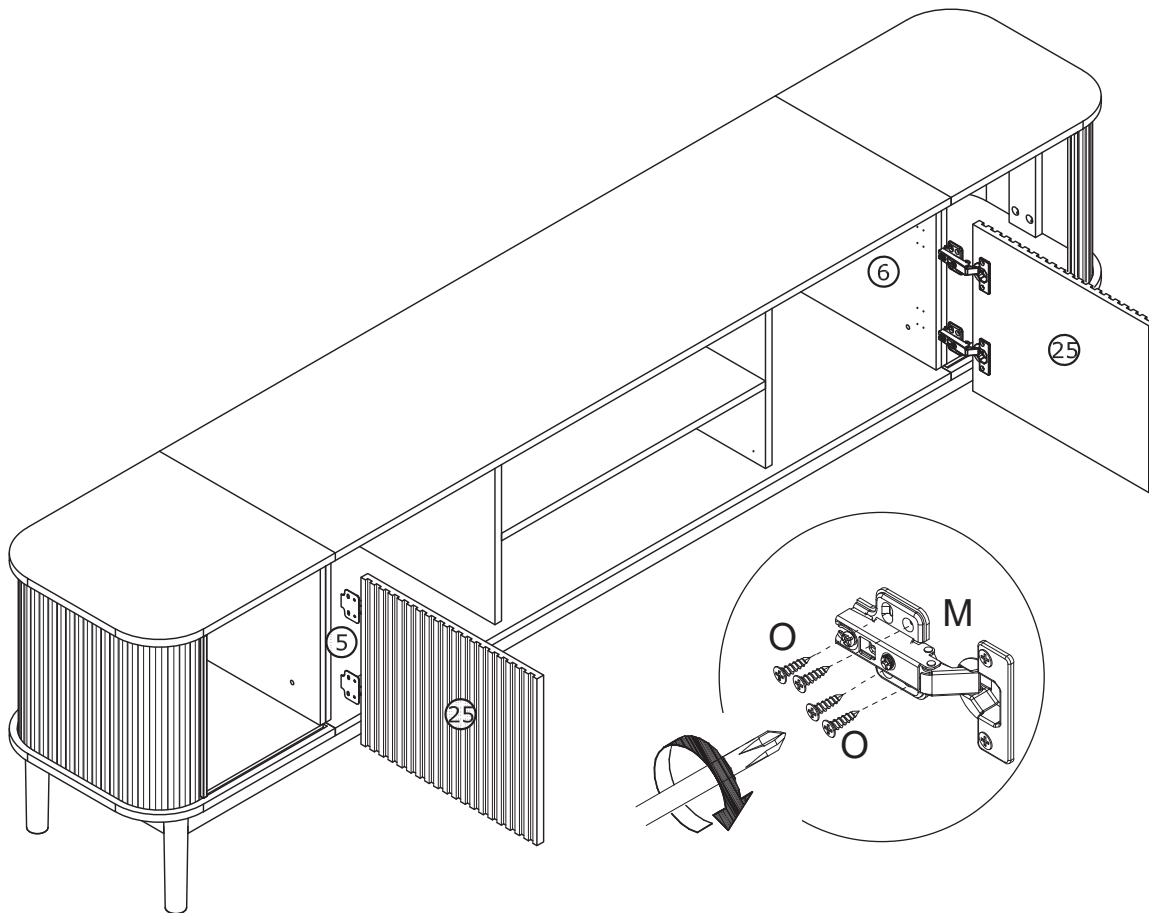
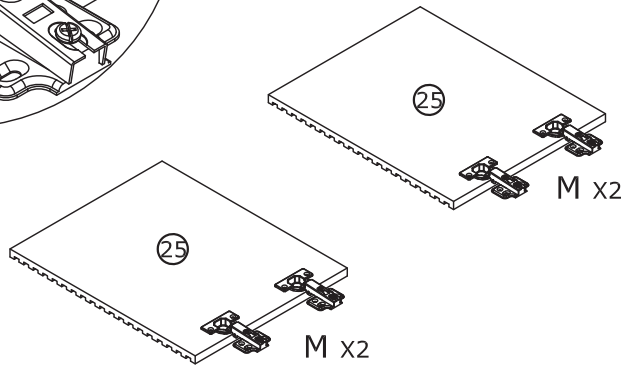
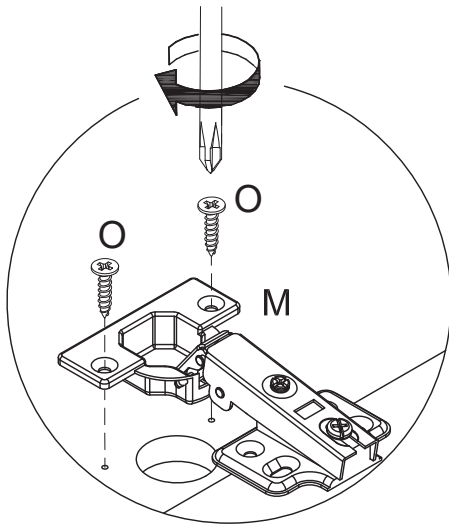


# STEP 16

Fix hinge ( M ) to parts ②⑤ using screws  $\varnothing 3.5 \times 12$ mm, as shown.


Fix hinge ( M ) to parts ⑤⑥ using screws  $\varnothing 3.5 \times 12$ mm, as shown.

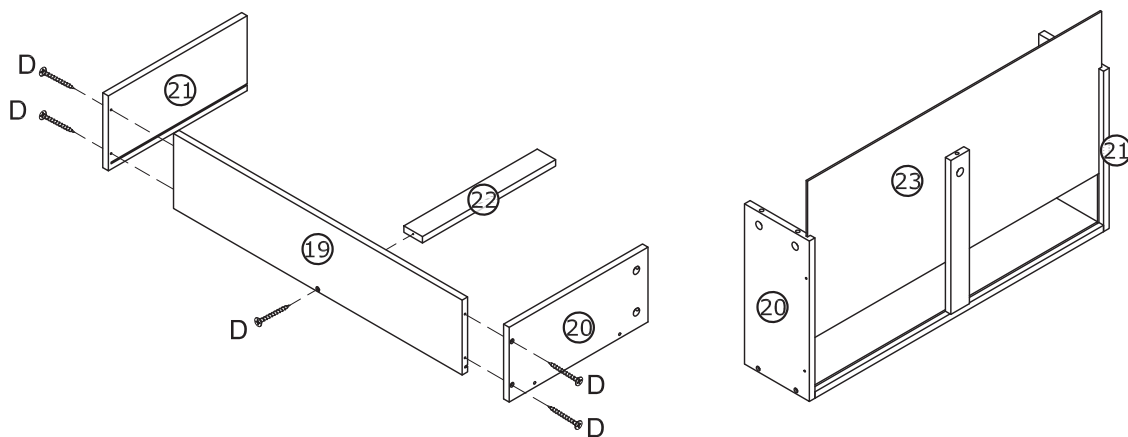
M	x4
	
O	x24
	
$\varnothing 3.5 \times 12$	



# STEP17

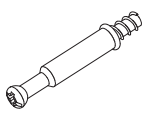
Connect the ①⑨ ②① ②② and ②③ plates with screw D.  
Slide part ②③ into available slots of parts ②① and ②② as shown.

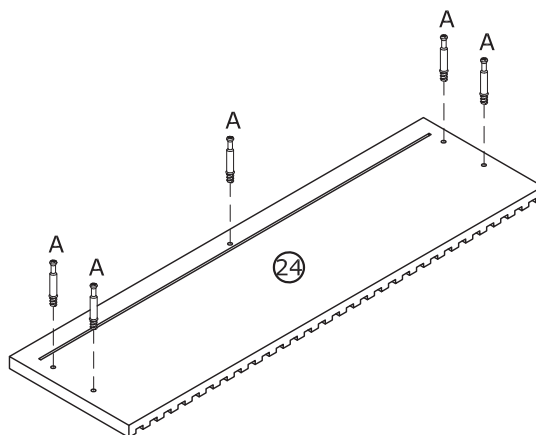
D	x5
	
Ø4*40	



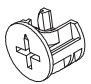
# STEP18

Insert quickfit screws(A) into corresponding holes in part ②④ as shown.

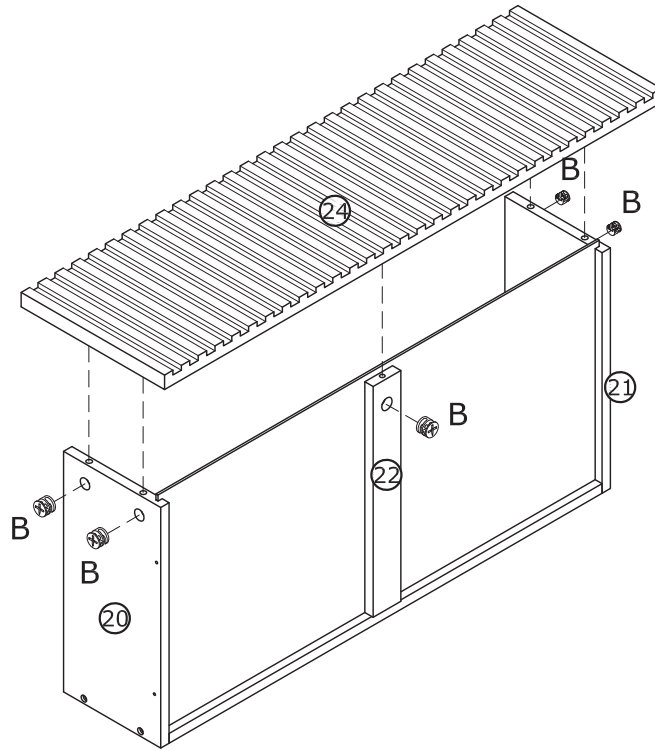
A	x5
	
M6*35	






# STEP19

B	x5
	
Ø15*10	

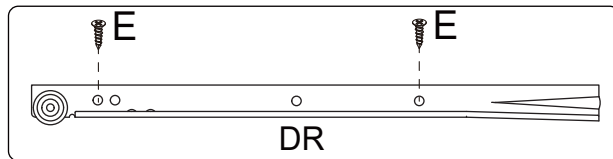
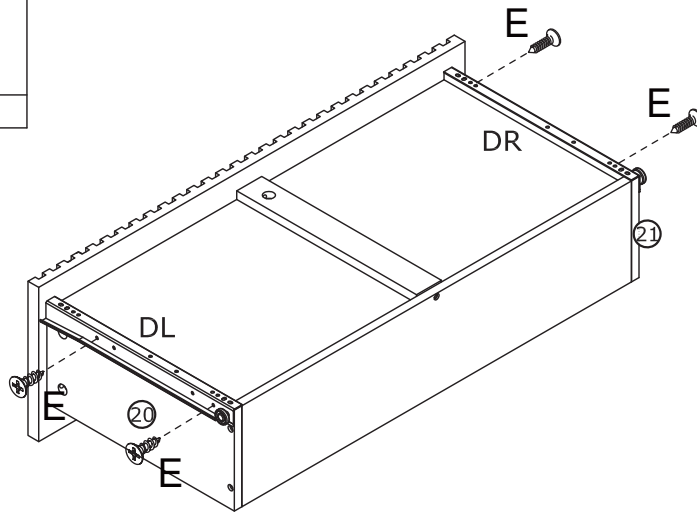
Insert cam locks(B) into parts ②① ②③ and attach parts ②④ as shown. Turn cam locks clockwise to tighten.



# STEP20

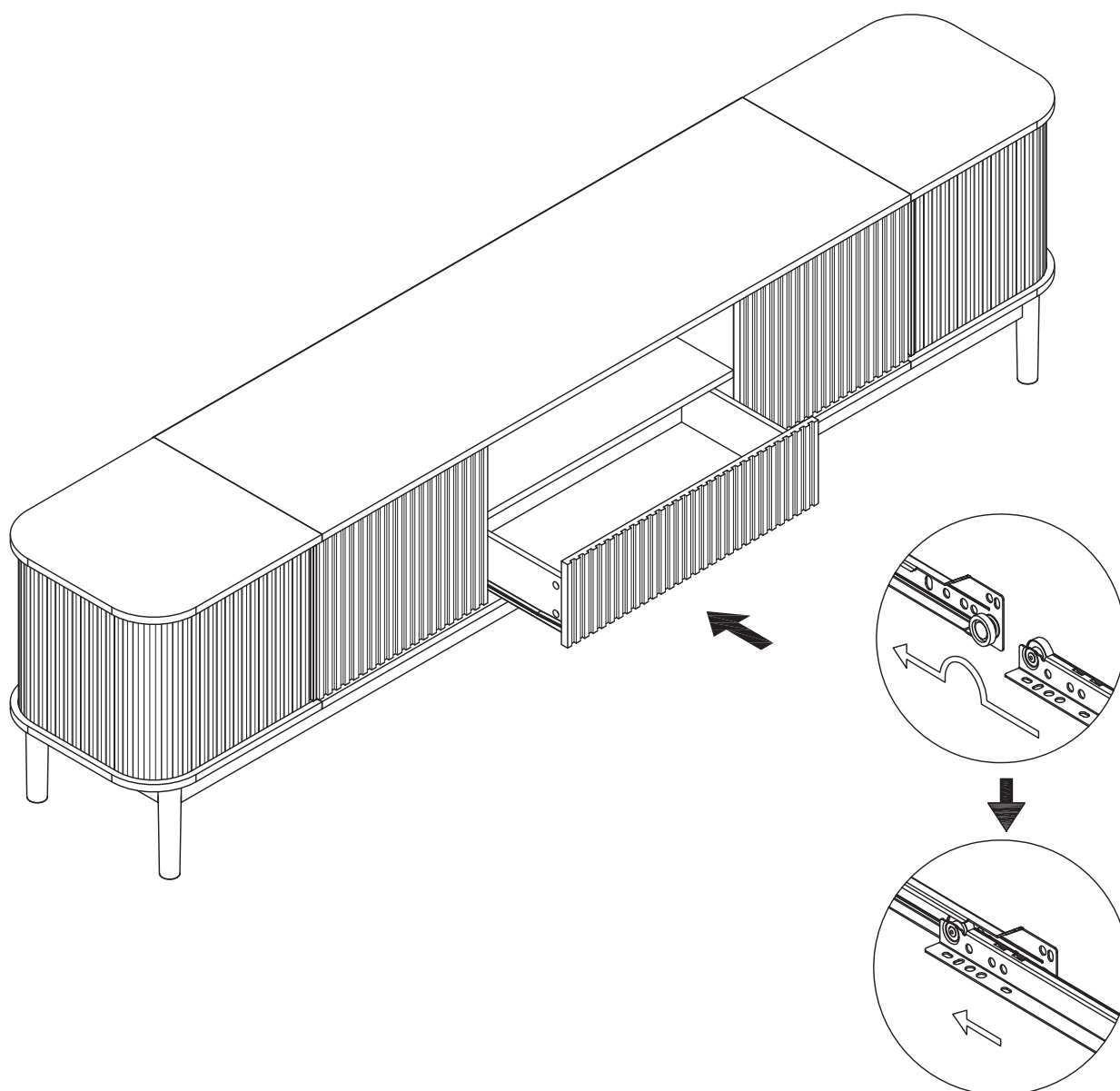
DL	x1	E	x4
			
300MM		Ø3*12	
DR	x1		
			
300MM			

Fix left inner drawer runner (DL) to part ②① and fix right inner drawer runner (DR) to part ②③ using screws (E), as shown.



# STEP21

The drawer slides must be aligned with the internal rails, otherwise the drawer will tilt.



### IMPORTANT SAFETY INFORMATION

Please carefully read the instructions and caution warnings below before assembling the product. Following this guide will ensure that you install, use and maintain the product properly.

- Please keep this installation and user manual/instructions for future reference in case you need to assemble the product.
- Do not assemble if you notice serious damage such as cracks or bends.
- During installation, please use work gloves for hand safety.
- Please assemble the unit on carpeted floor or the flat cardboard box to avoid scratching the surface or your floor while assembling on the floor.
- Pay more attention to the direction of components at each steps.
- It is recommended that two people work together to assemble the product.