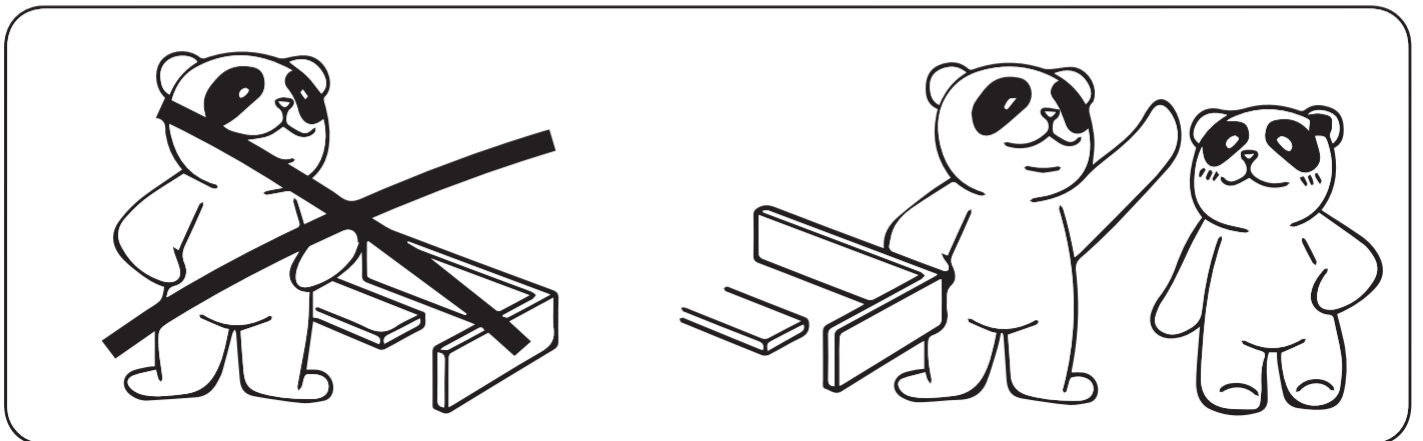
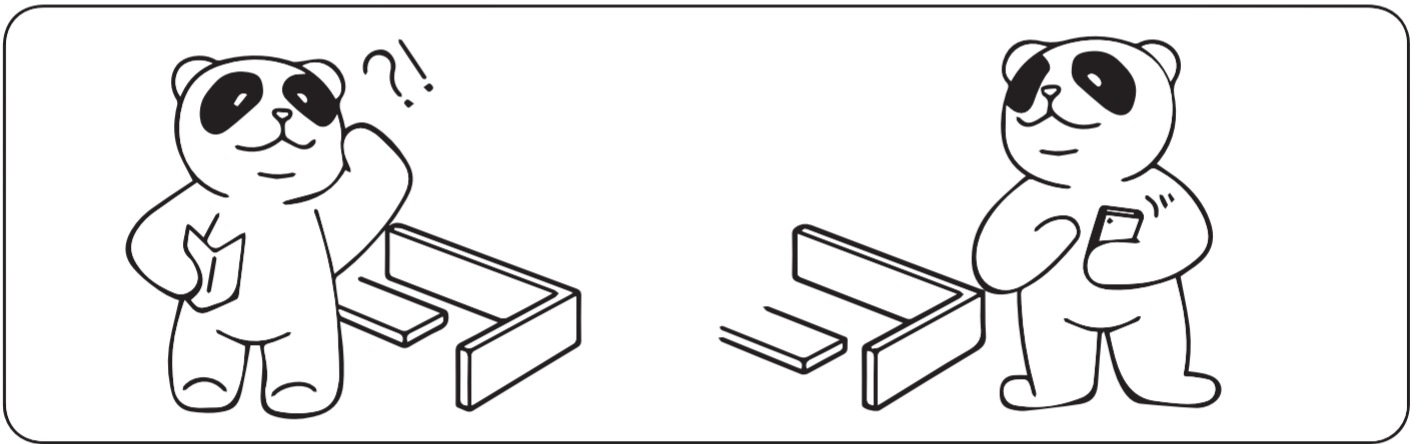
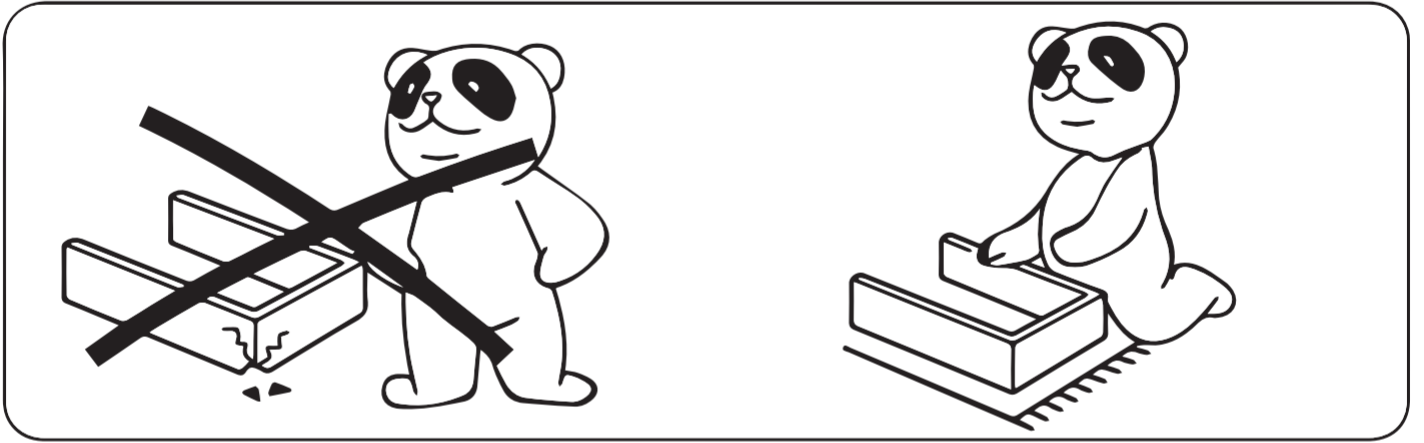
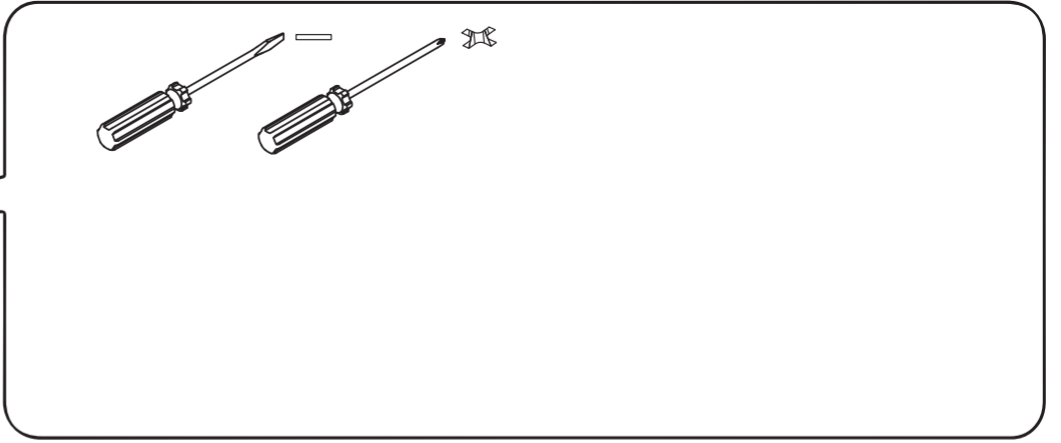
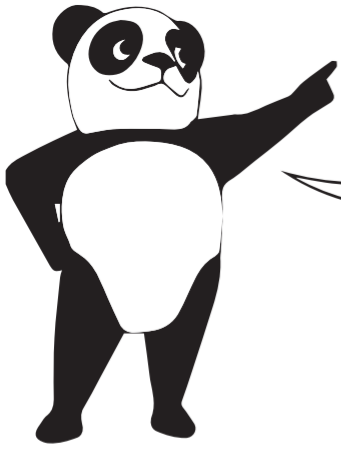


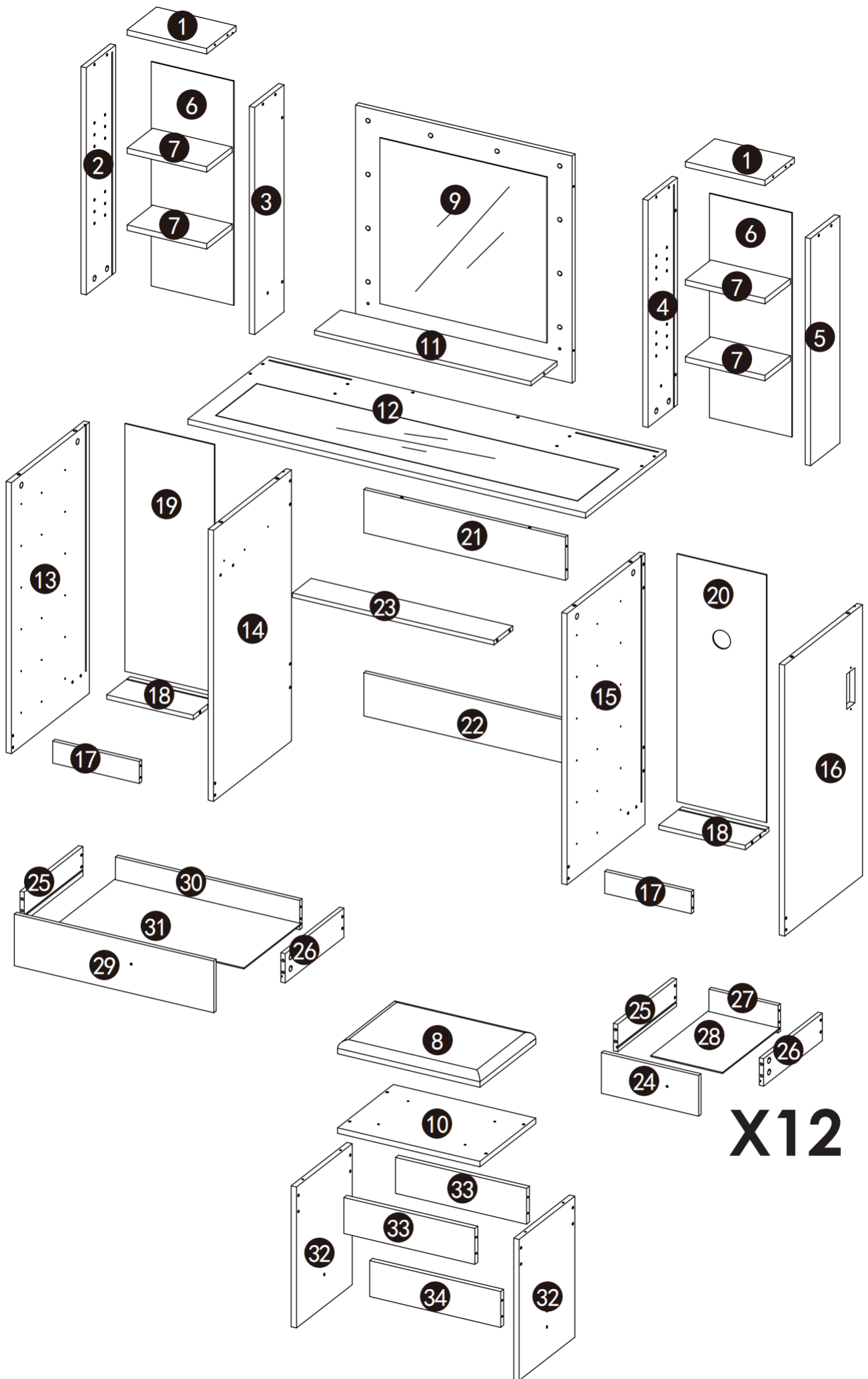


UBDT18

Instruction Manual

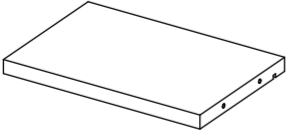
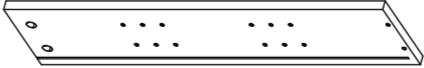
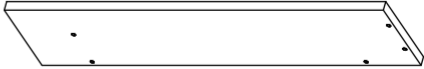
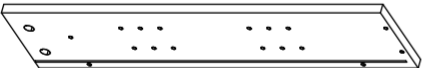
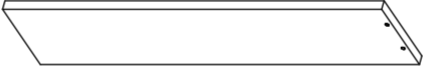

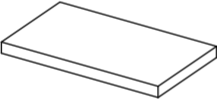
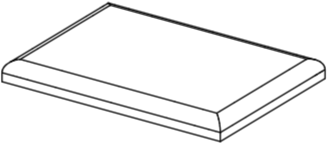
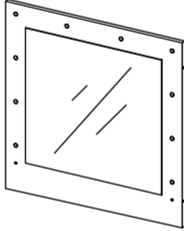
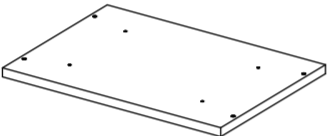
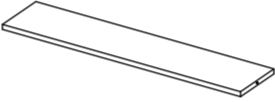
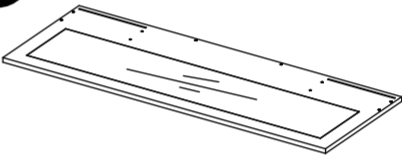
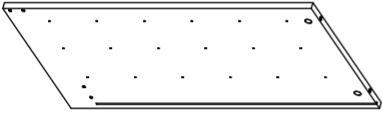
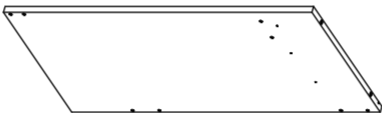
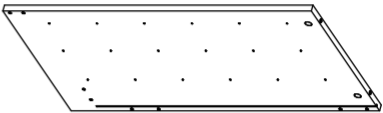



Thanks a lot your support and purchasing.
Please feel free to contact us if you have any questions with assembly or need replacement parts.





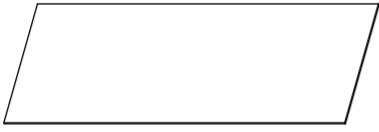
X12

PARTS LIST

<p>1</p>  <p>214x108x12mm x2</p>	<p>2</p>  <p>640x110x12mm x1</p>	<p>3</p>  <p>640x110x12mm x1</p>
<p>4</p>  <p>640x110x12mm x1</p>	<p>5</p>  <p>640x110x12mm x1</p>	<p>6</p>  <p>221x634x4mm x2</p>
<p>7</p>  <p>214x89x12mm x4</p>	<p>8</p>  <p>400x300x40mm x1</p>	<p>9</p>  <p>639.5x620x12mm x1</p>
<p>10</p>  <p>400x300x12mm x1</p>	<p>11</p>  <p>620x96x12mm x1</p>	<p>12</p>  <p>1100x400x15mm x1</p>
<p>13</p>  <p>745x385x12mm x1</p>	<p>14</p>  <p>745x385x12mm x1</p>	<p>15</p>  <p>745x385x12mm x1</p>
<p>16</p>  <p>745x385x12mm x1</p>	<p>17</p>  <p>250x50x12mm x2</p>	<p>18</p>  <p>250x100x12mm x2</p>

PARTS LIST

19



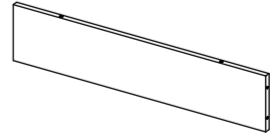
700x257x4mm x1

20



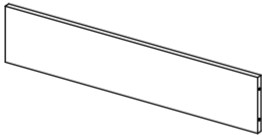
700x257x4mm x1

21



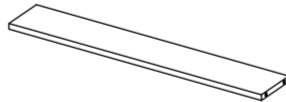
548x120x12mm x1

22



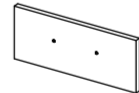
548x100x12mm x1

23



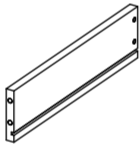
548x80x12mm x1

24



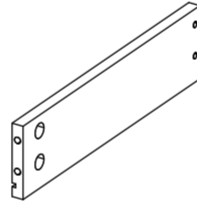
272x113x12mm x12

25



300x90x12mm x13

26



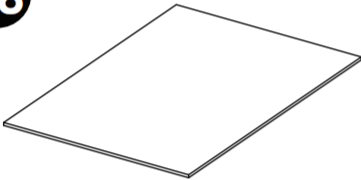
300x90x12mm x13

27



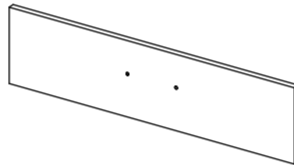
200x90x12mm x12

28



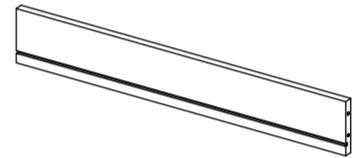
208x296x4mm x12

29



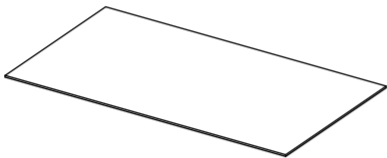
544x130x12mm x1

30



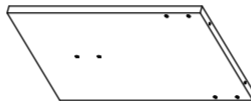
498x90x12mm x1

31



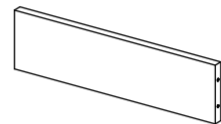
506x296x4mm x1

32



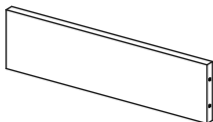
400x280x12mm x2

33





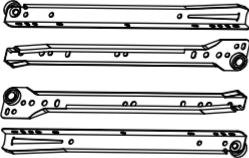



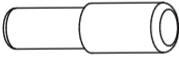




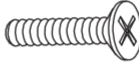

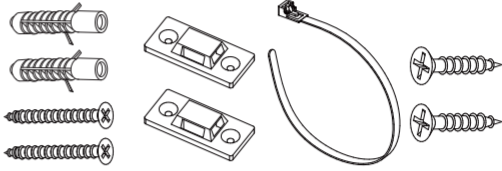

356x96x12mm x2

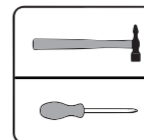
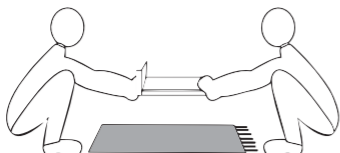
34



356x100x12mm x1

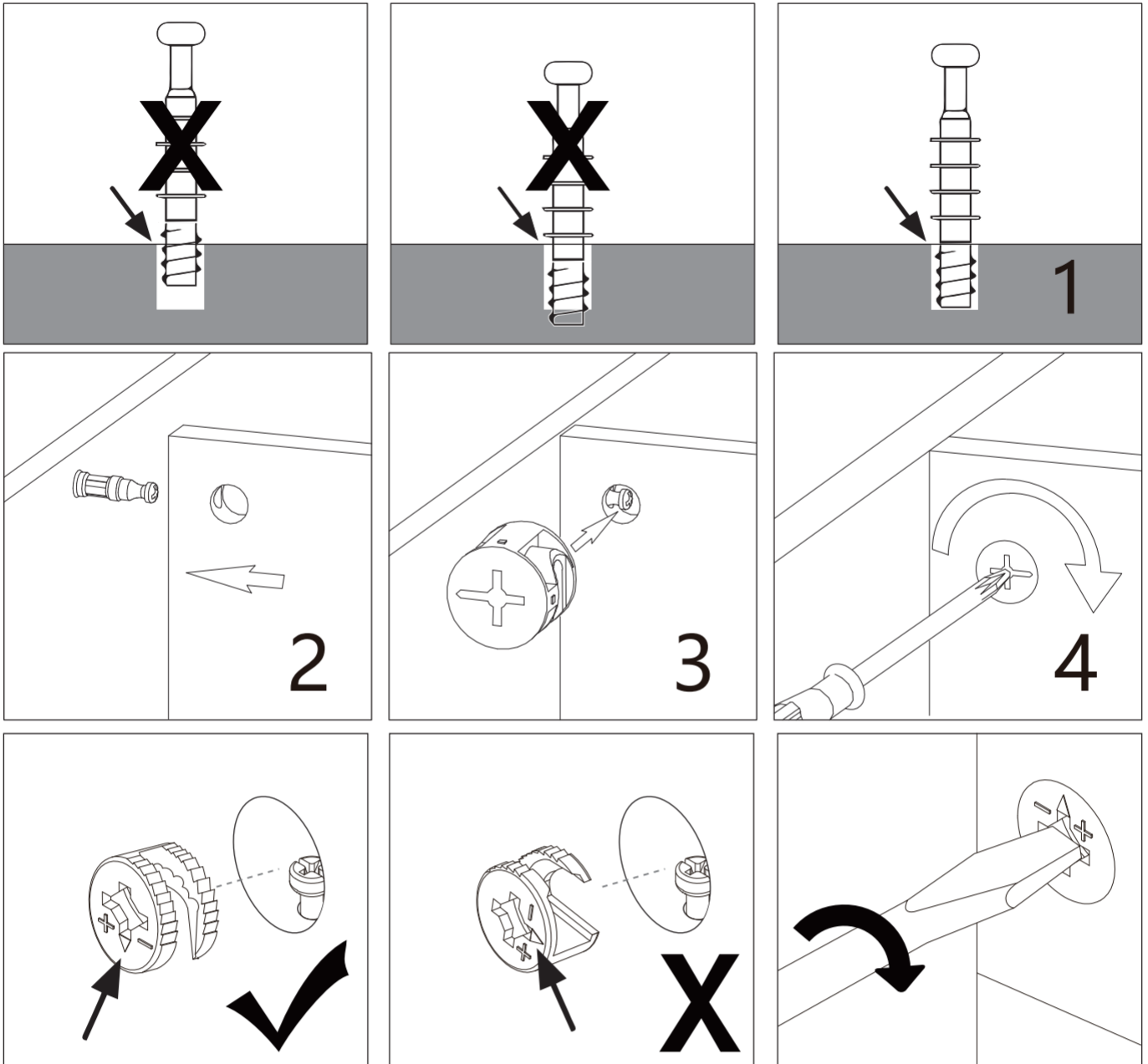
HARDWARE LIST

<p>A  6x40 x84</p>	<p>B  15x11 x84</p>
C=CL+DL+CR+DR	
<p>C  12inches x13</p>	<p>D  x1</p>
<p>E  M3.5x12 x132</p>	<p>F  M5x40/#3 x100/x1</p>
<p>G  x16</p>	<p>H  96mm x13</p>
<p>J  x16</p>	<p>K  x1</p>
<p>L  21mm x20</p>	<p>M  M4x14 x26</p>
<p>N  M3x14 x16</p>	<p>O  x1</p>
	<p>Q  M3.5x25 x4</p>

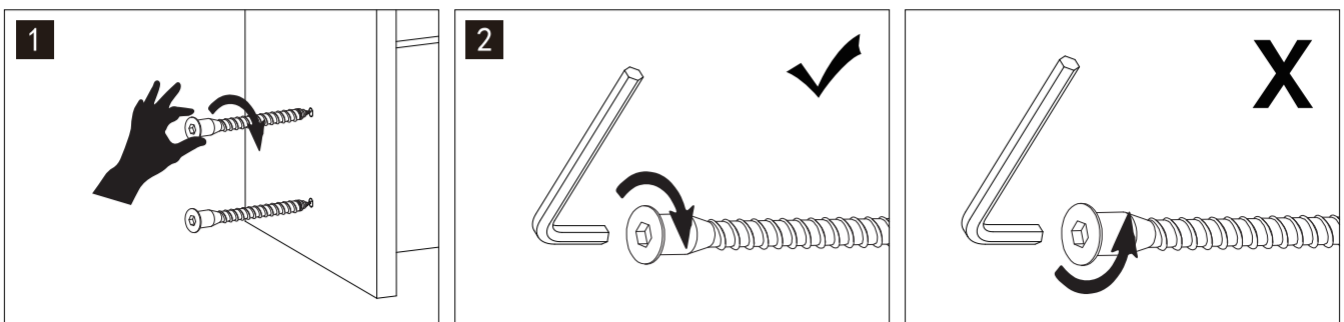


Hardware installation indication

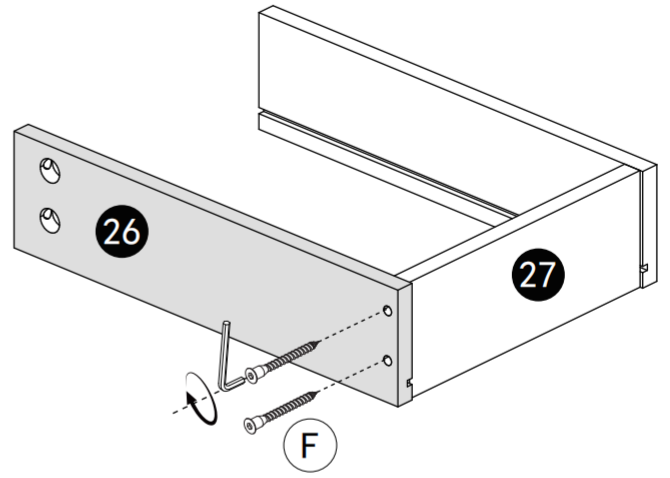
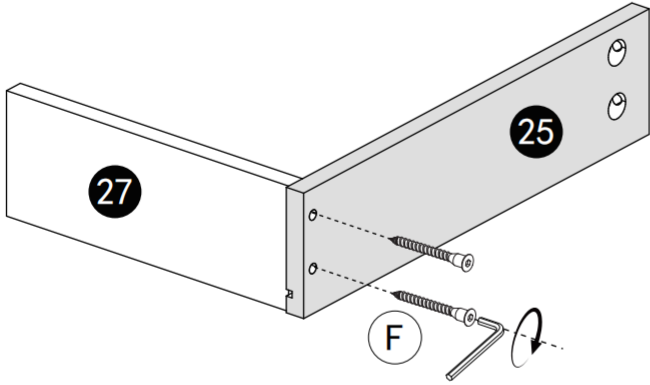
Installation method of three in one rod and buckle



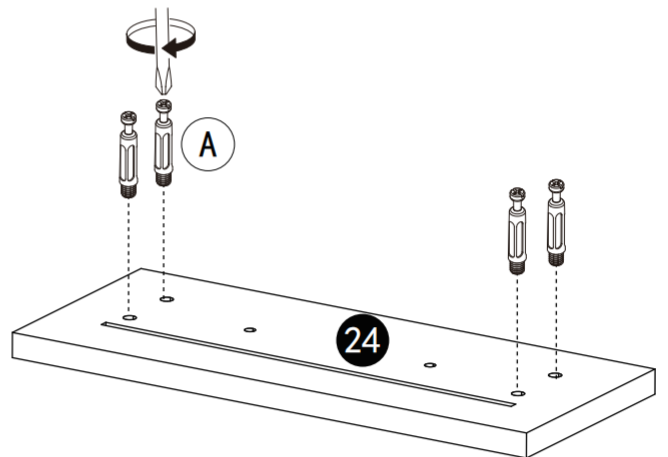
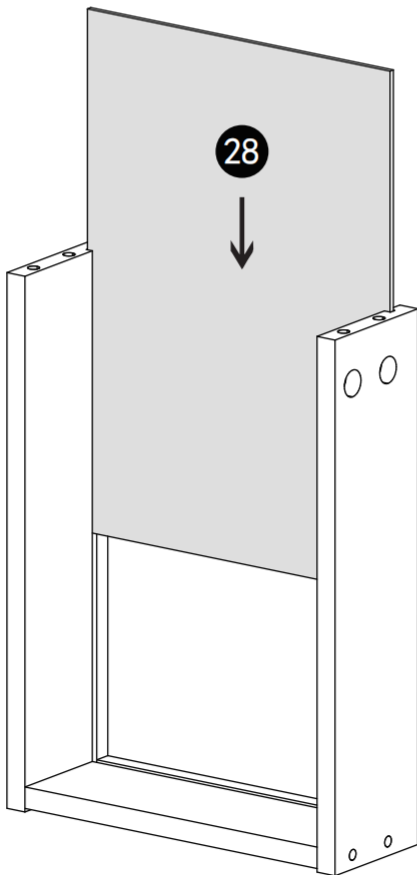
Screw installation method


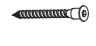


1

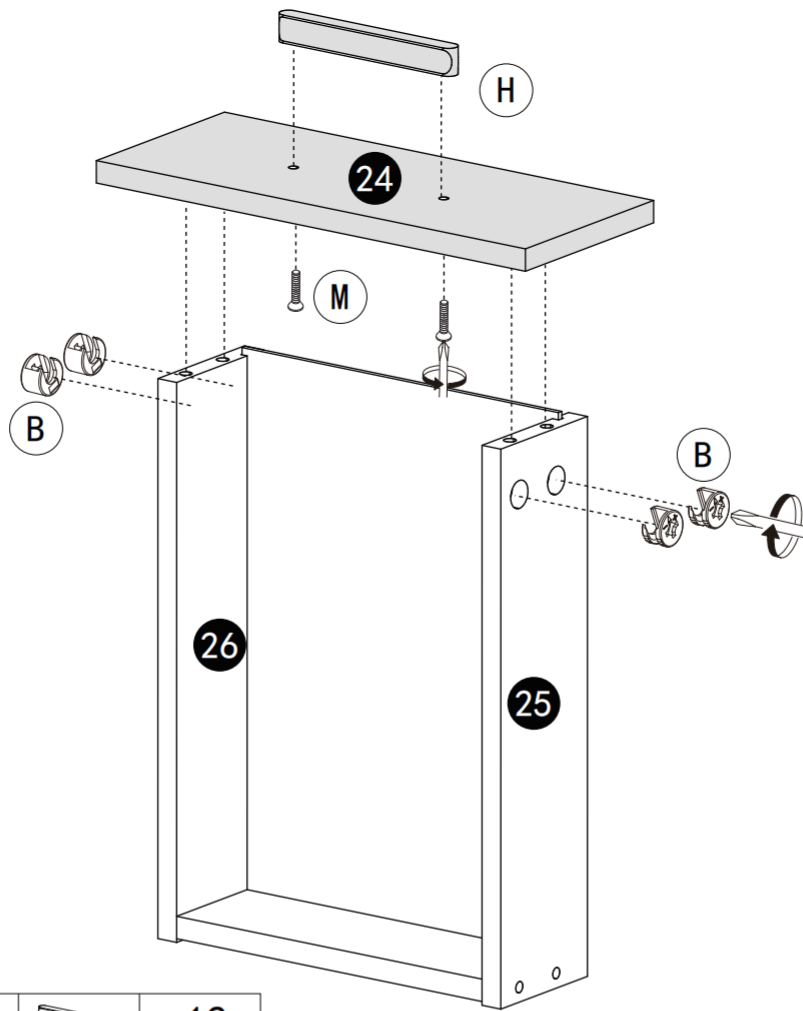





X12



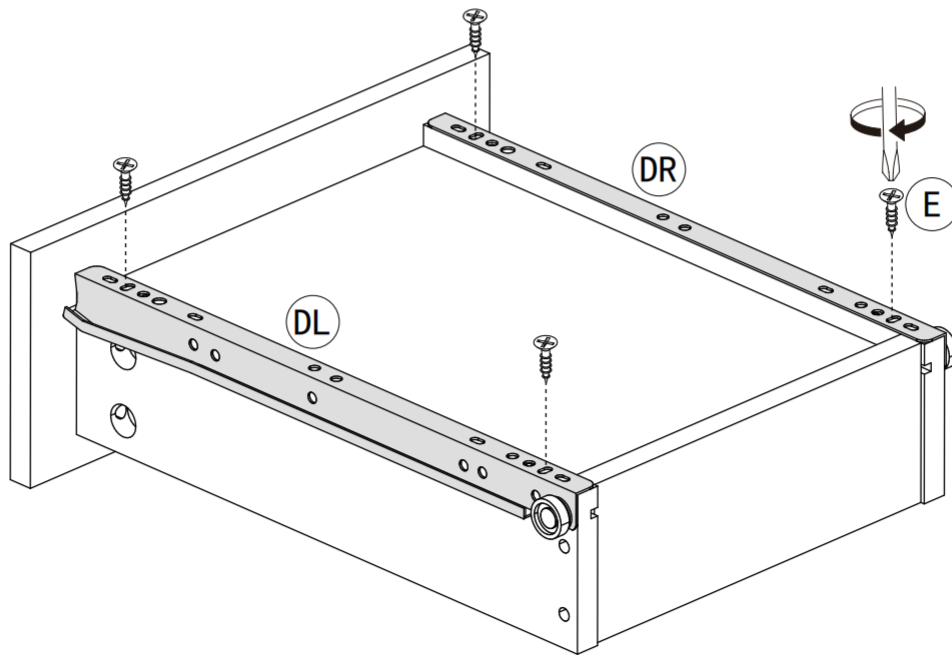
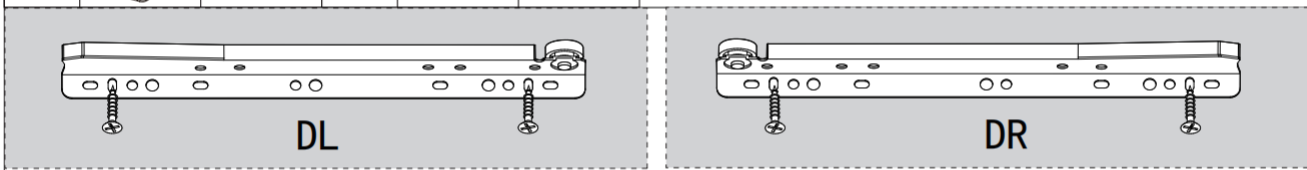
A		x48	F	M5x40		x48
---	--	-----	---	-------	---	-----


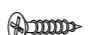

2



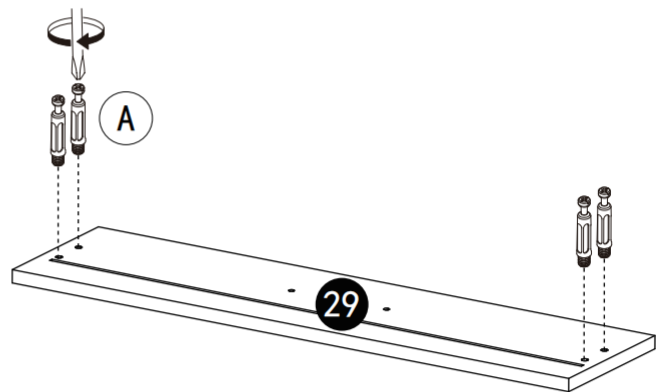
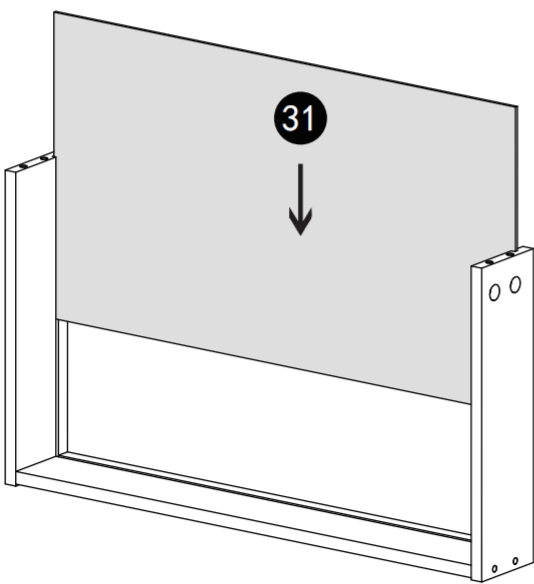
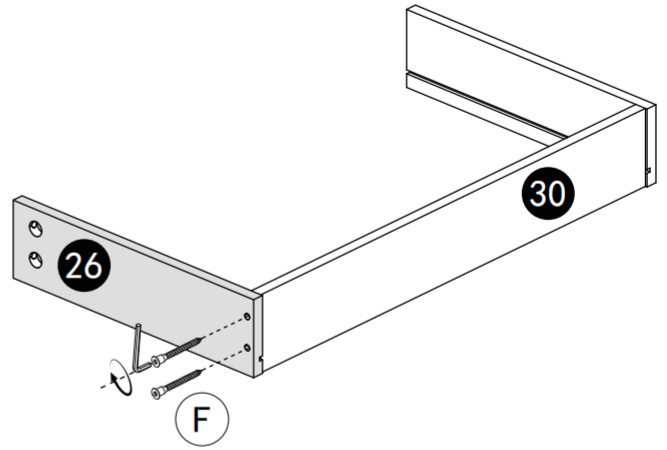
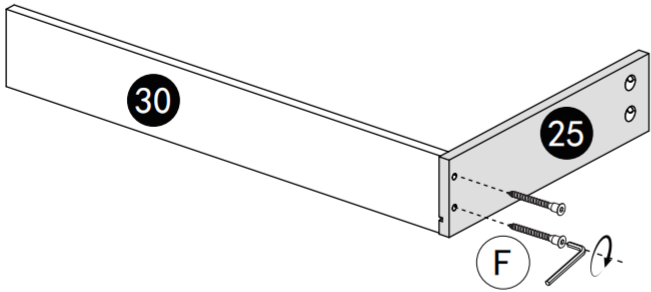
M		x24			
B		x48	H		x12



X12

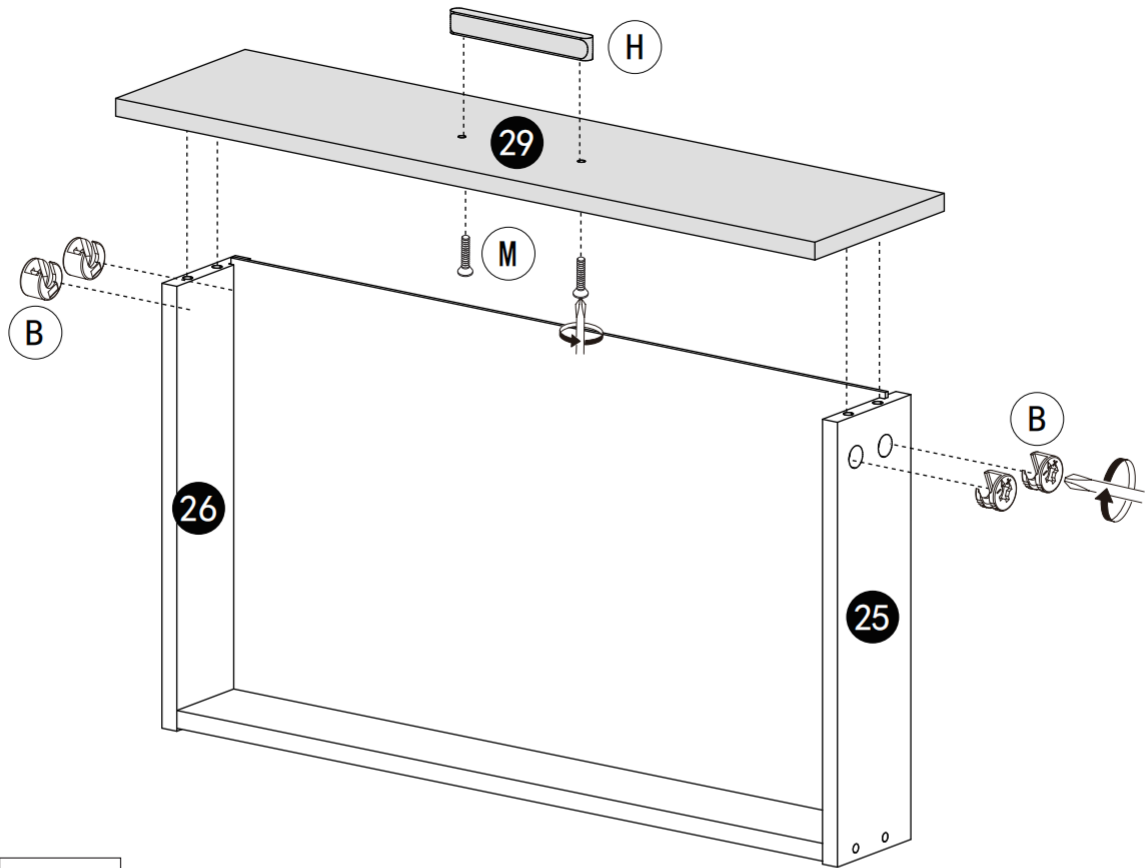





DL		x12	E		M3.5x12 x48
DR		x12			

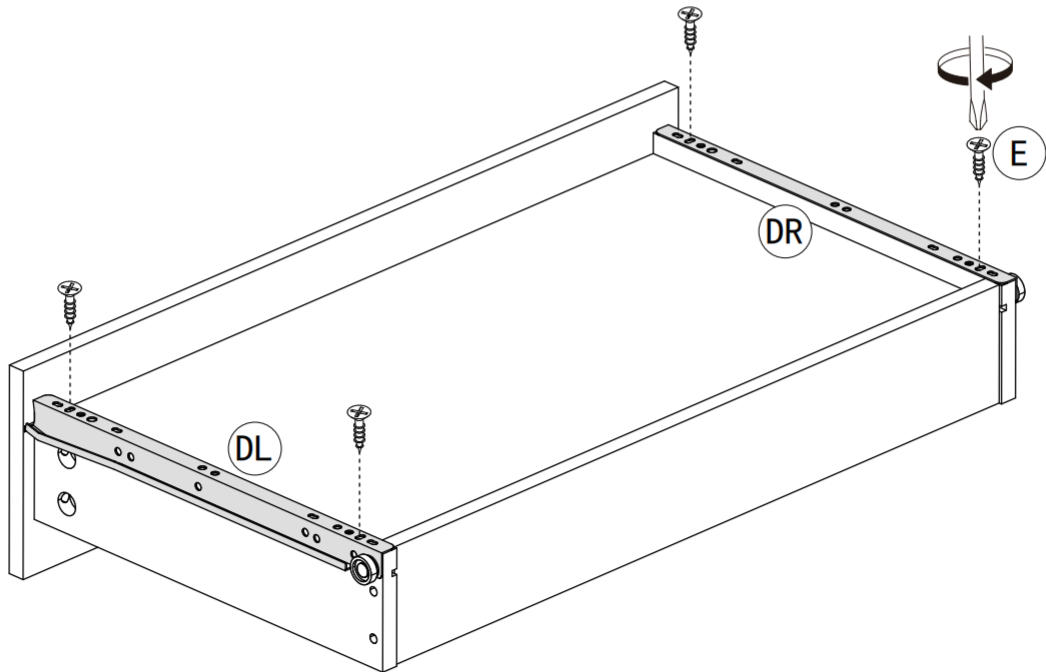
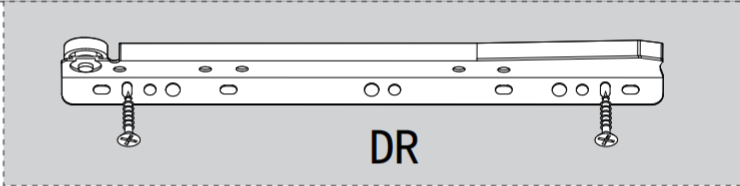
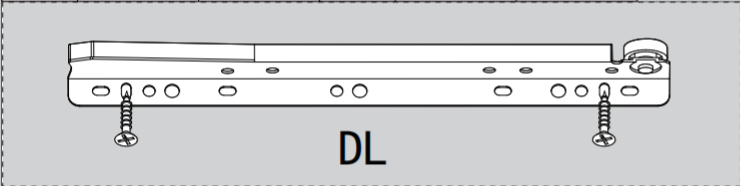
3





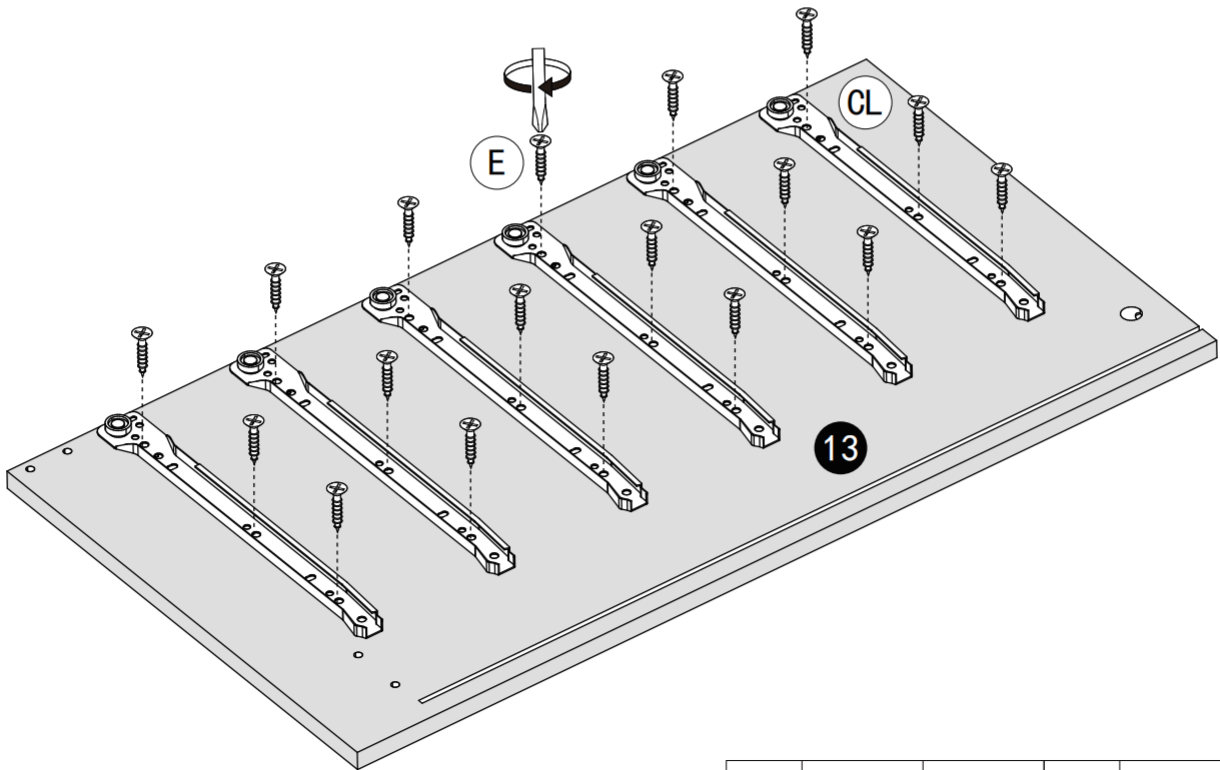
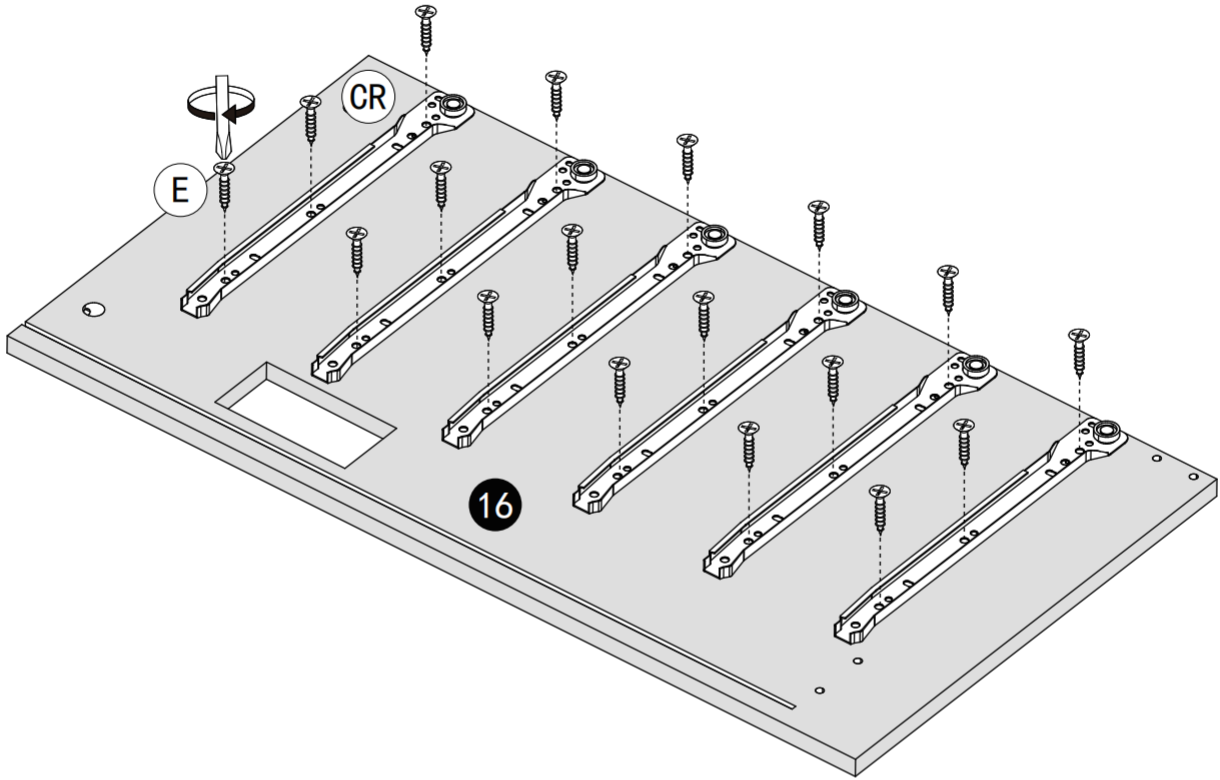
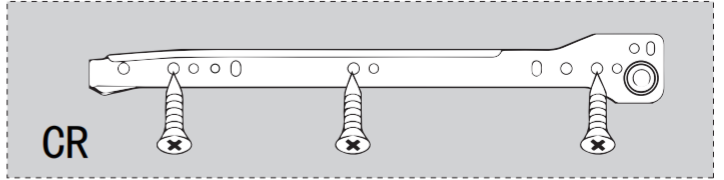
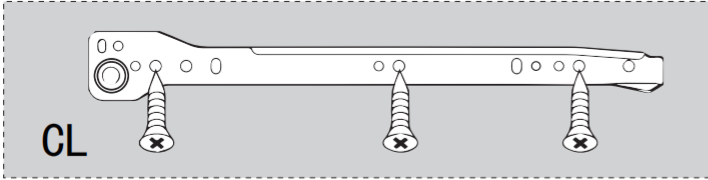
A		x4	F	M5x40		x4
---	--	----	---	-------	---	----






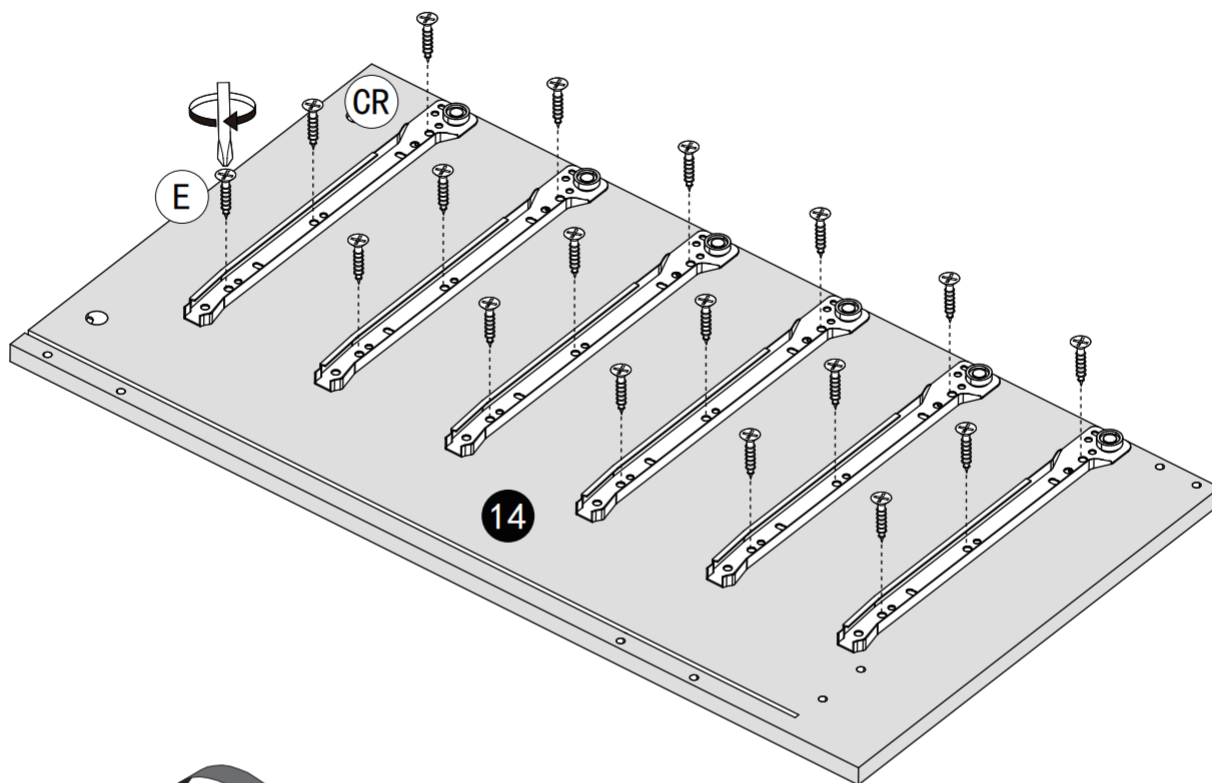
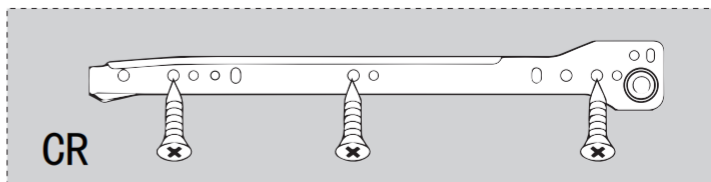
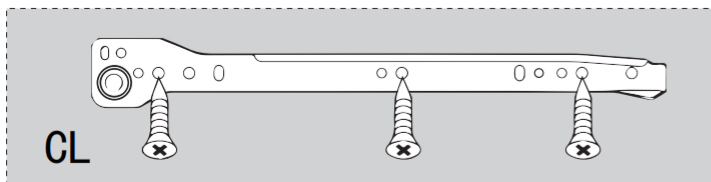
M		x2			
B		x4	H		x1



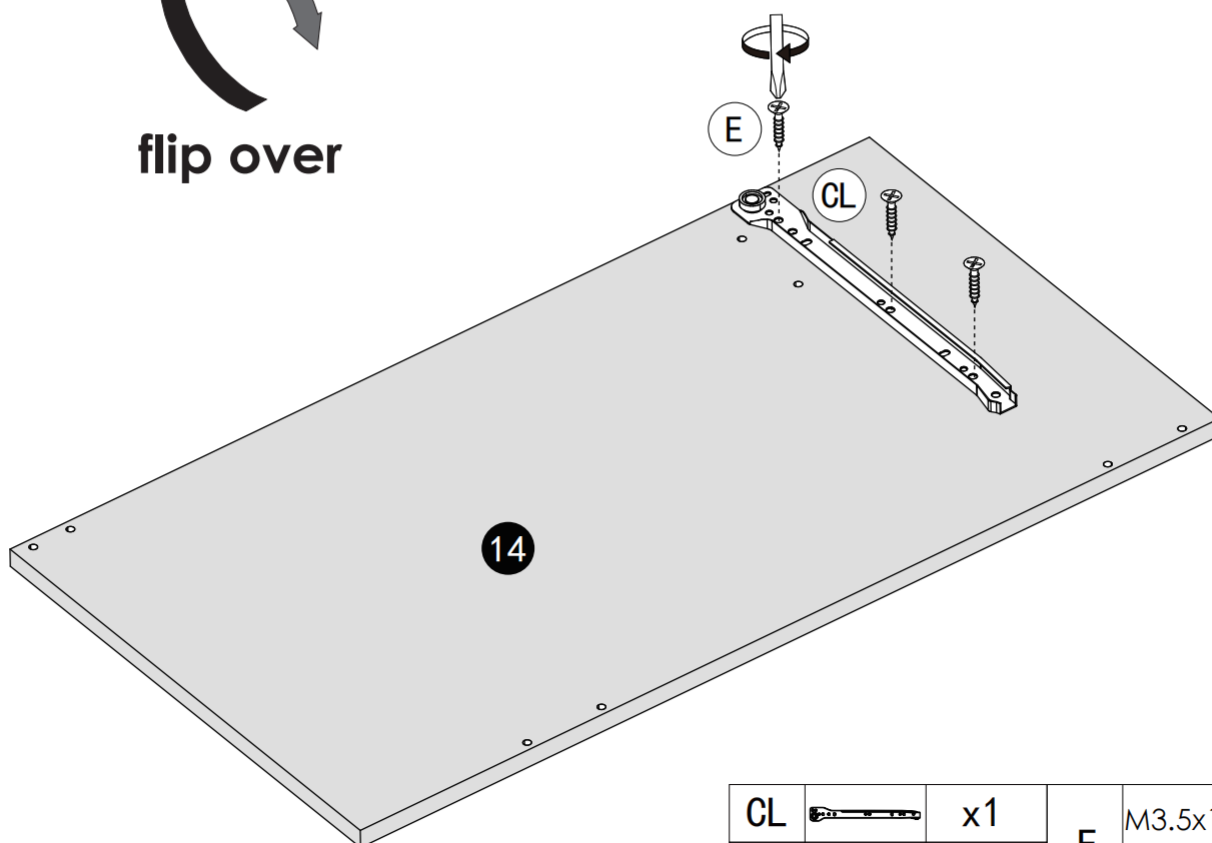
DL		x1	E	M3.5x12	x4
DR		x1			



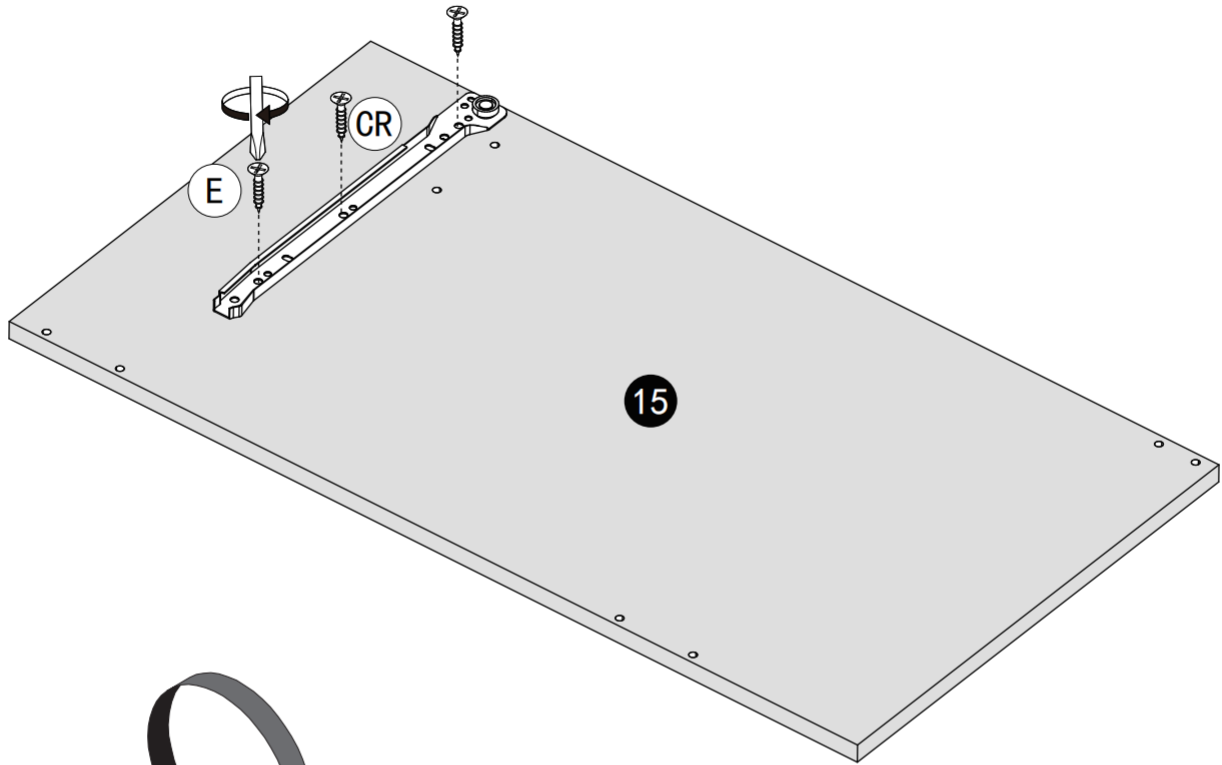
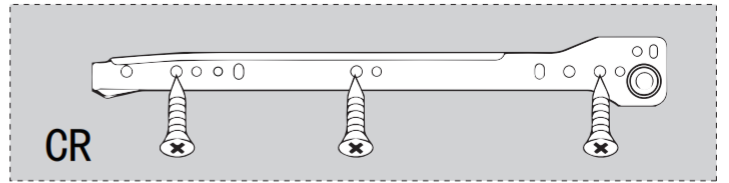
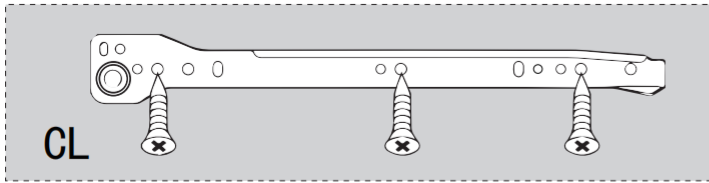
CL		x6	E	M3.5x12 	x36
CR		x6			



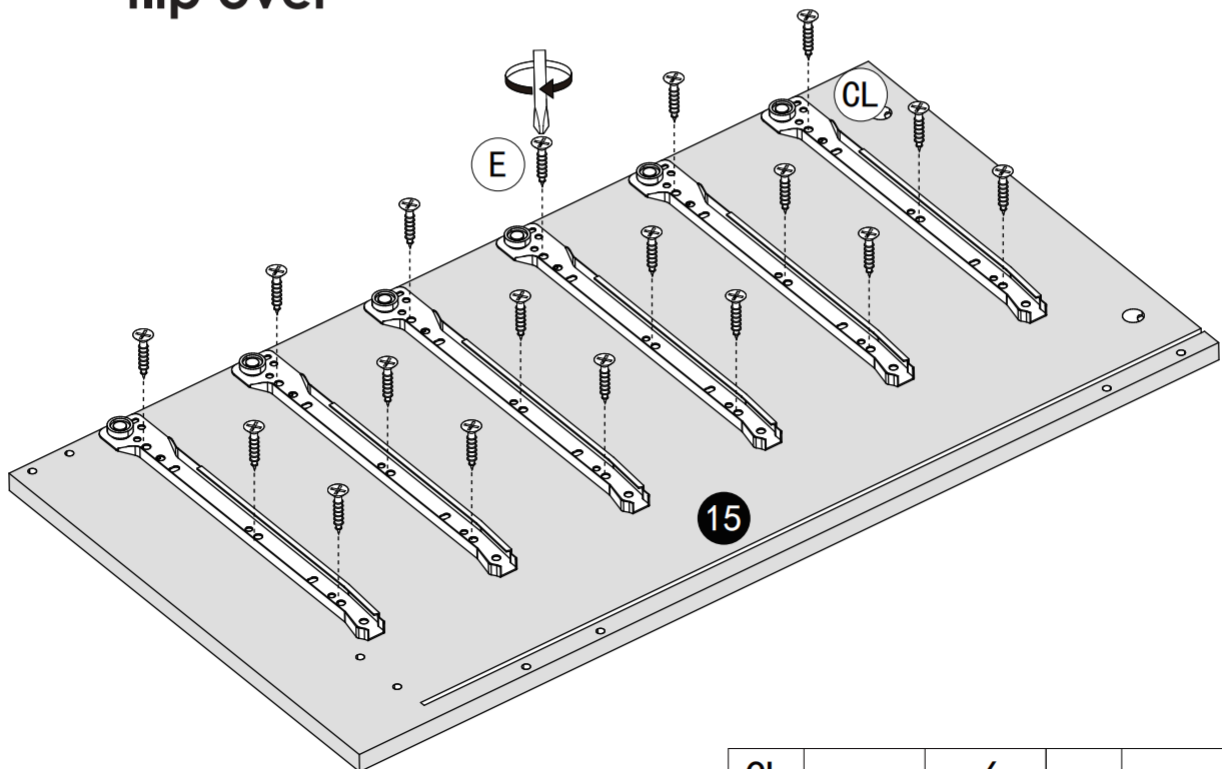
flip over






CL		x1	E	M3.5x12	x21
CR		x6			

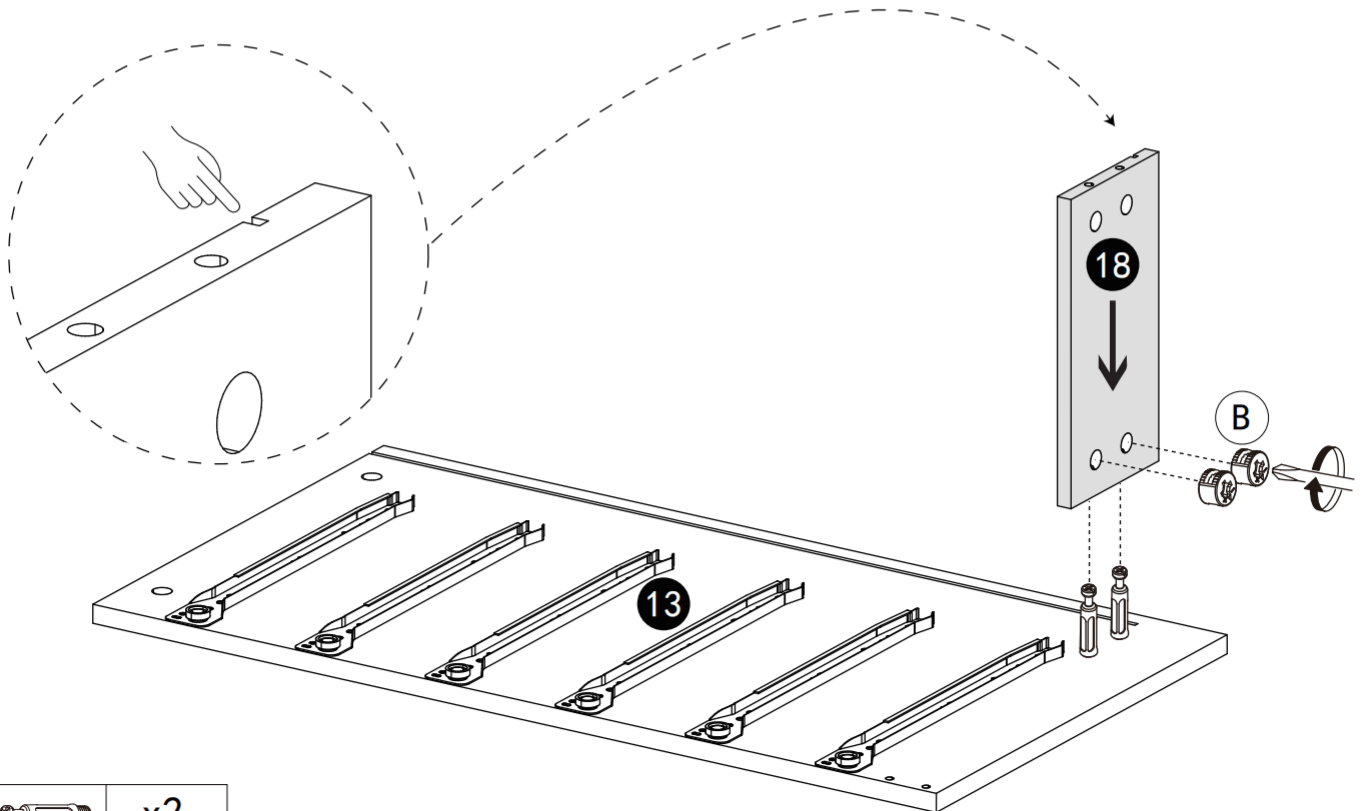
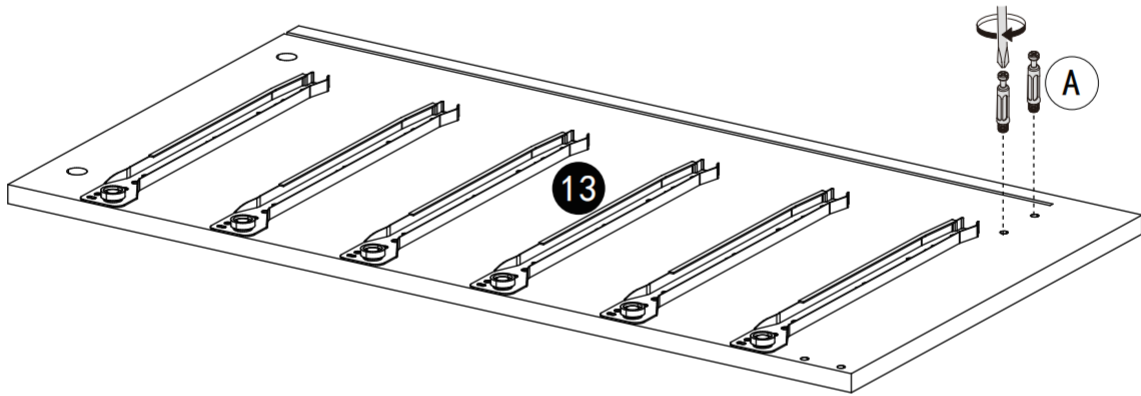
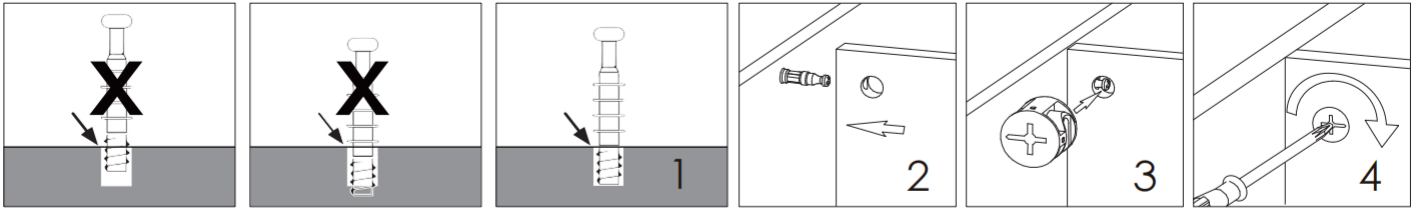
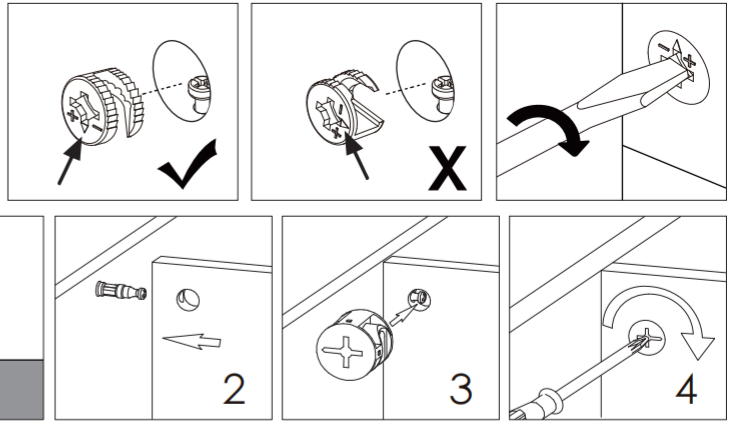





flip over

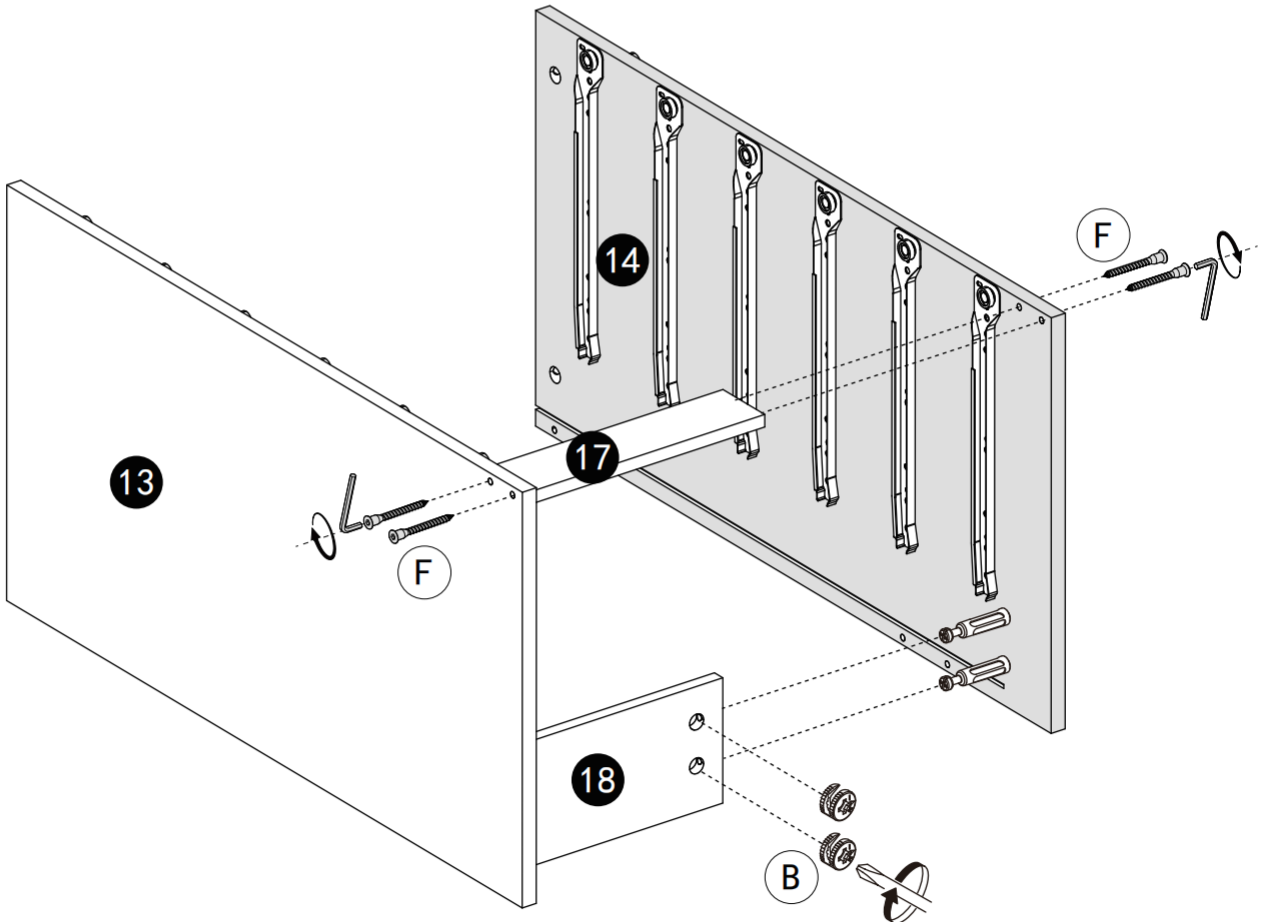
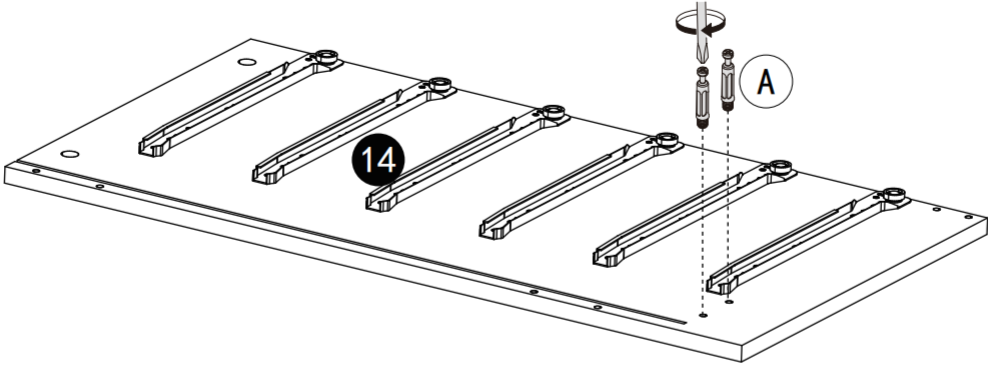





CL		x6	E	M3.5x12 	x21
CR		x1			

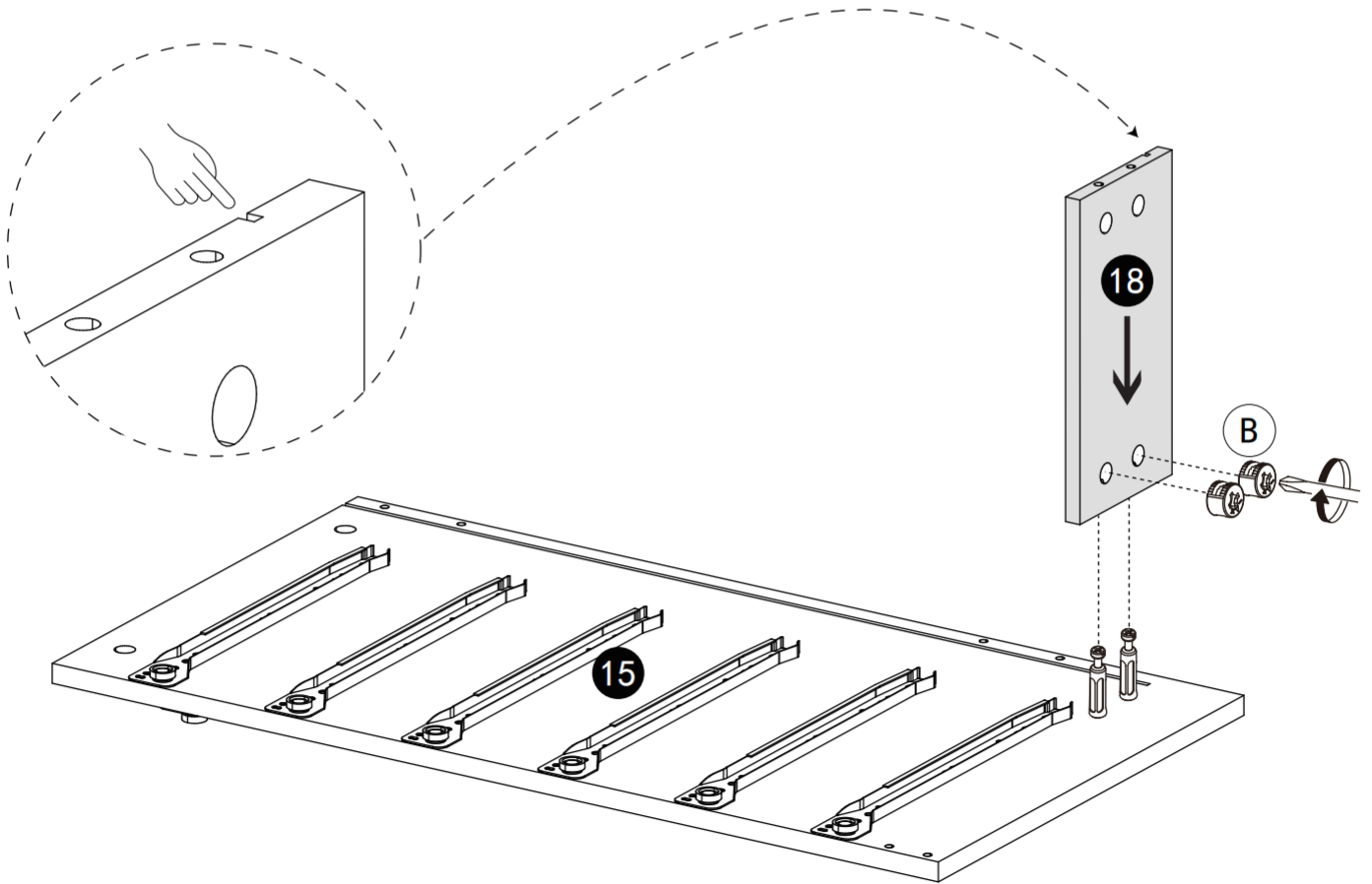
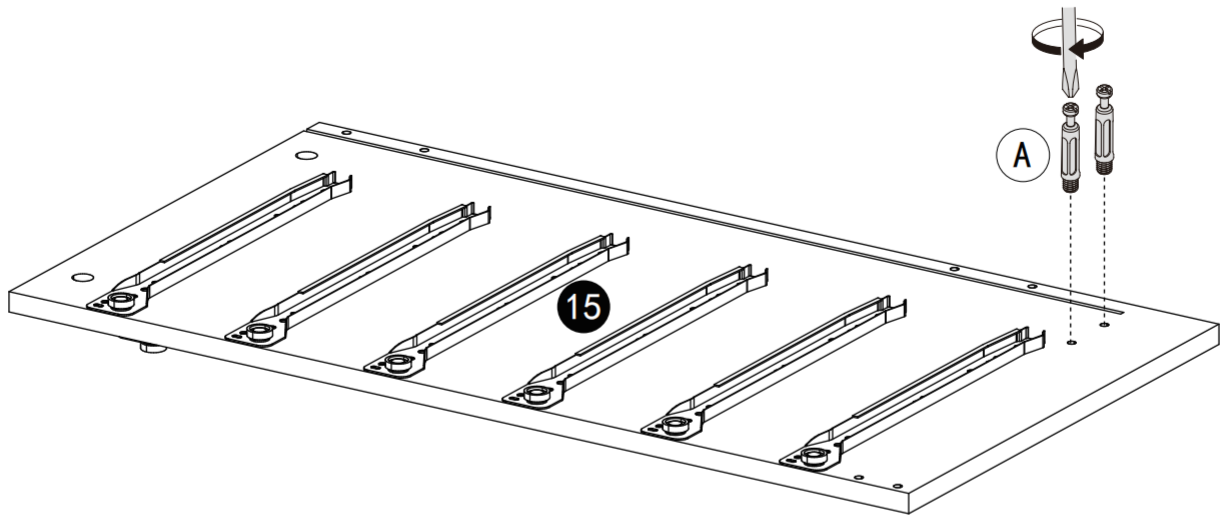
Installation method of three in one rod and buckle





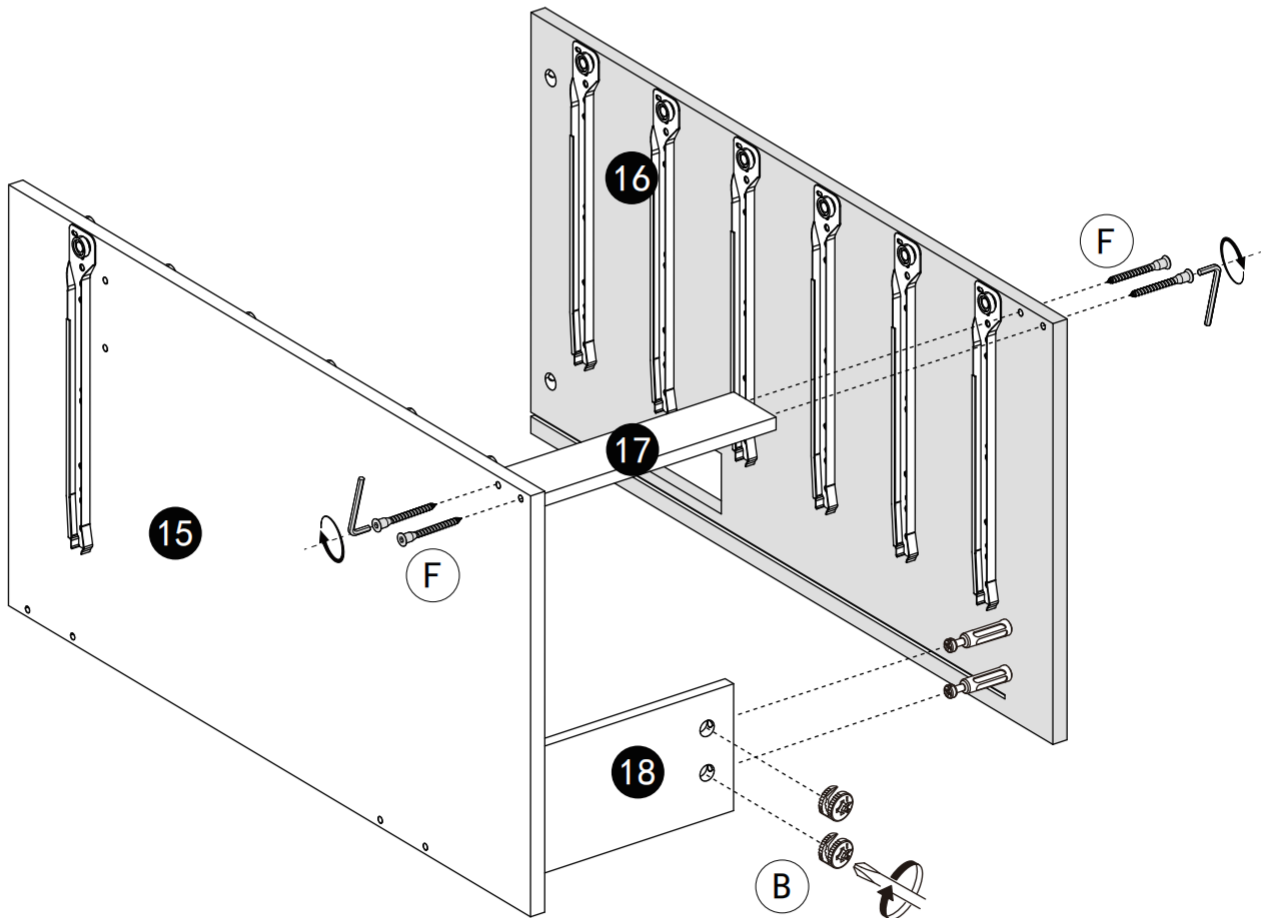
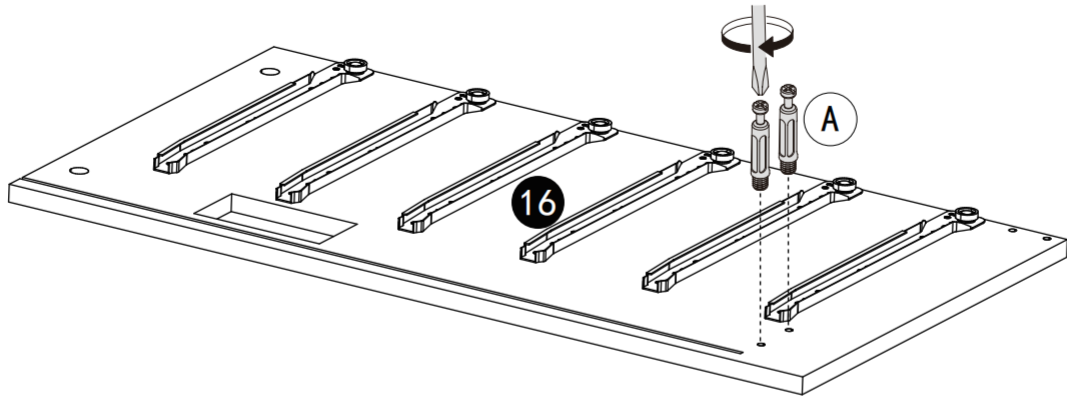
A		x2
B		x2






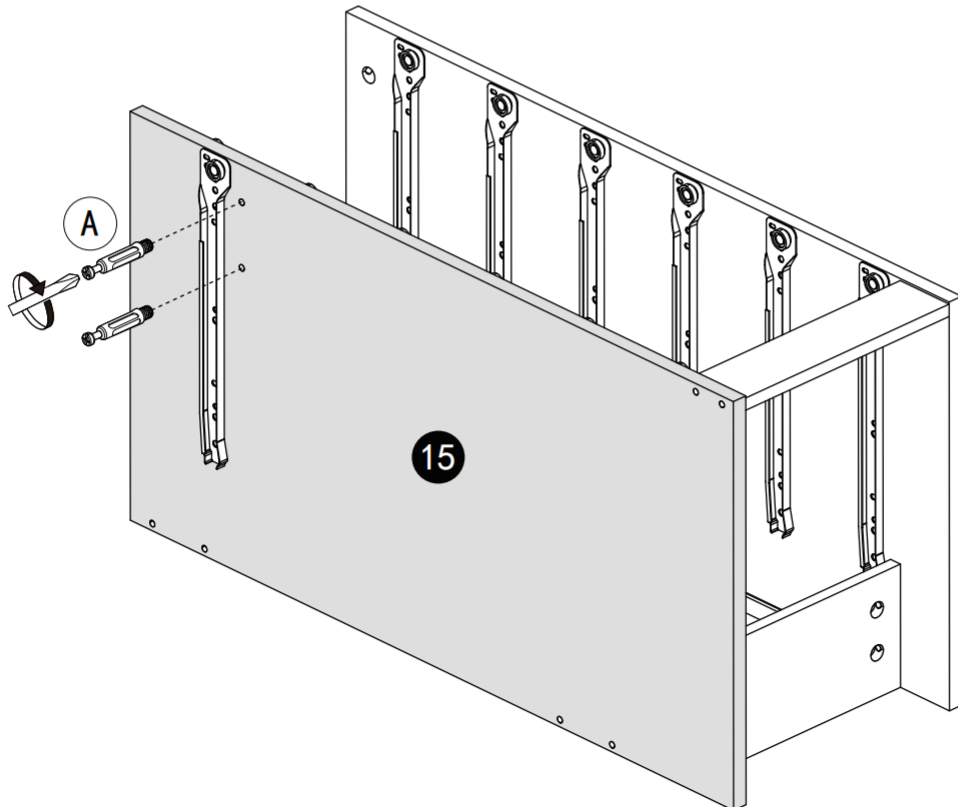
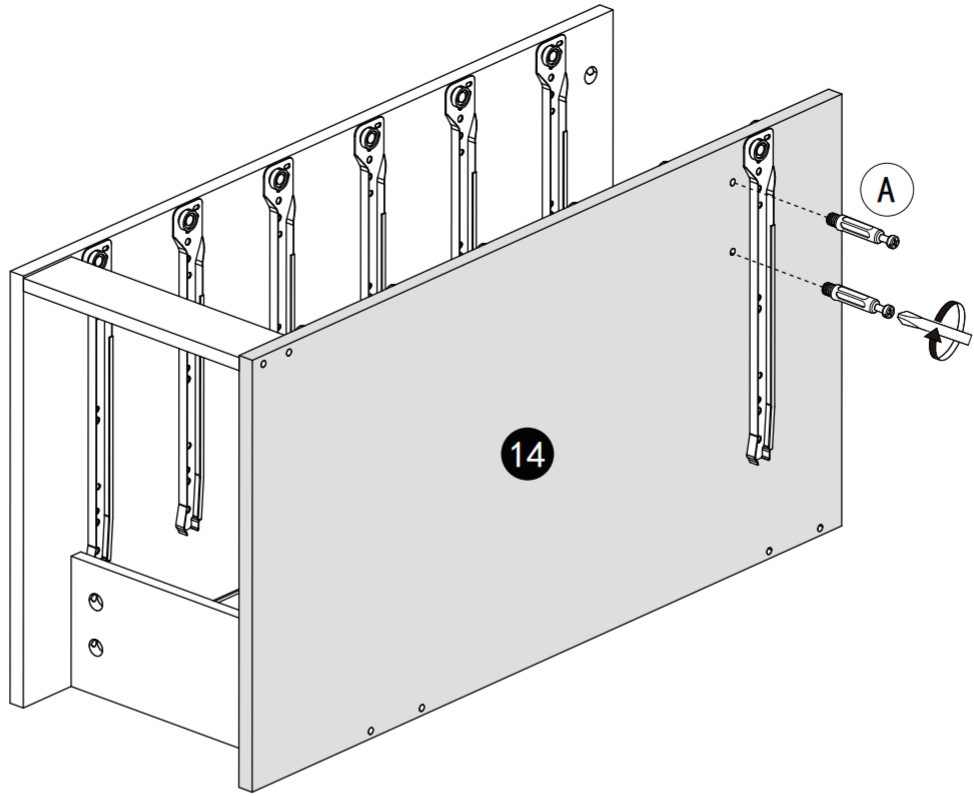
A		x2	F	M5x40	x4
B		x2			




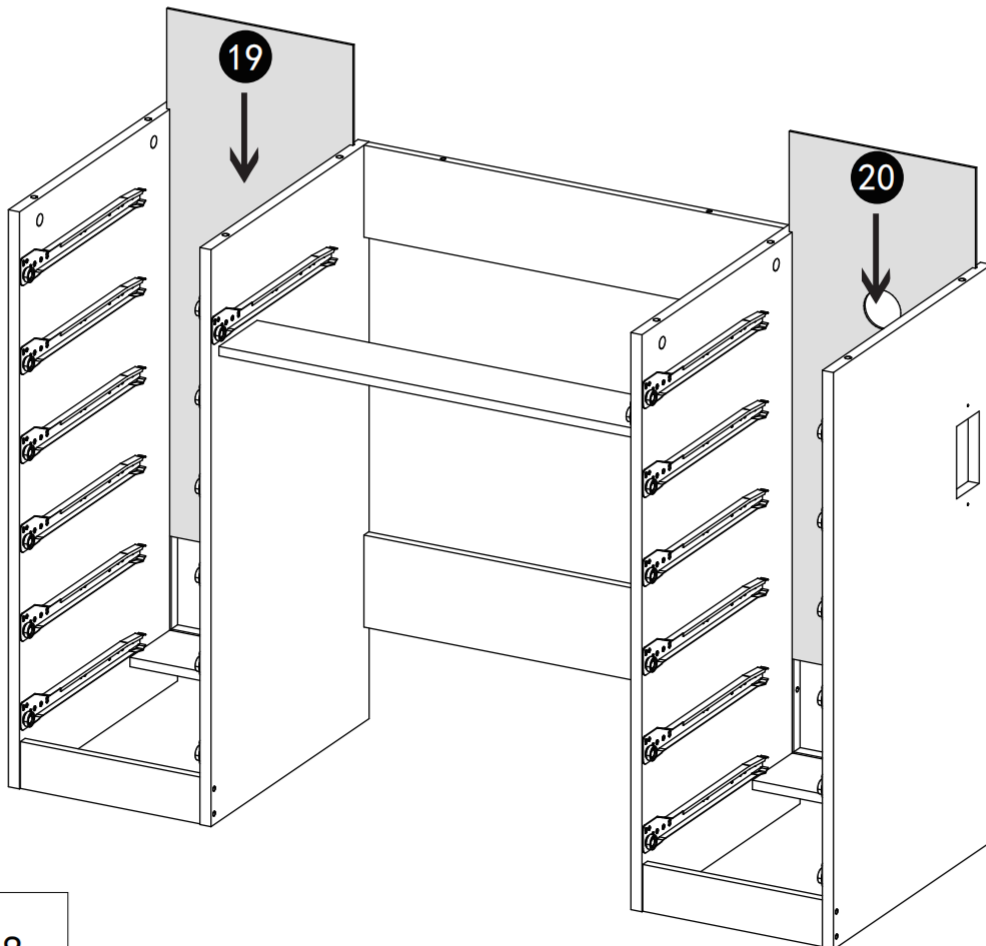
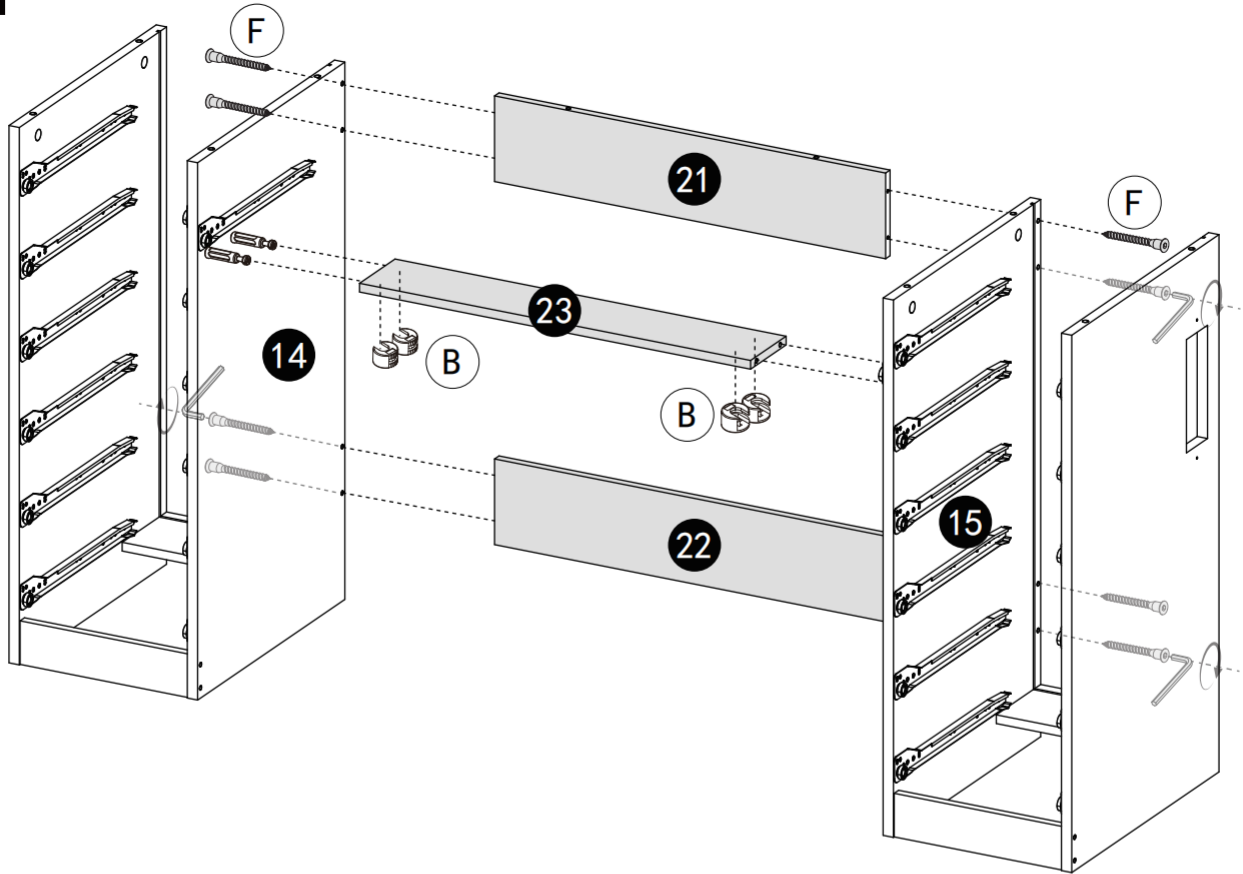
A		x2
B		x2





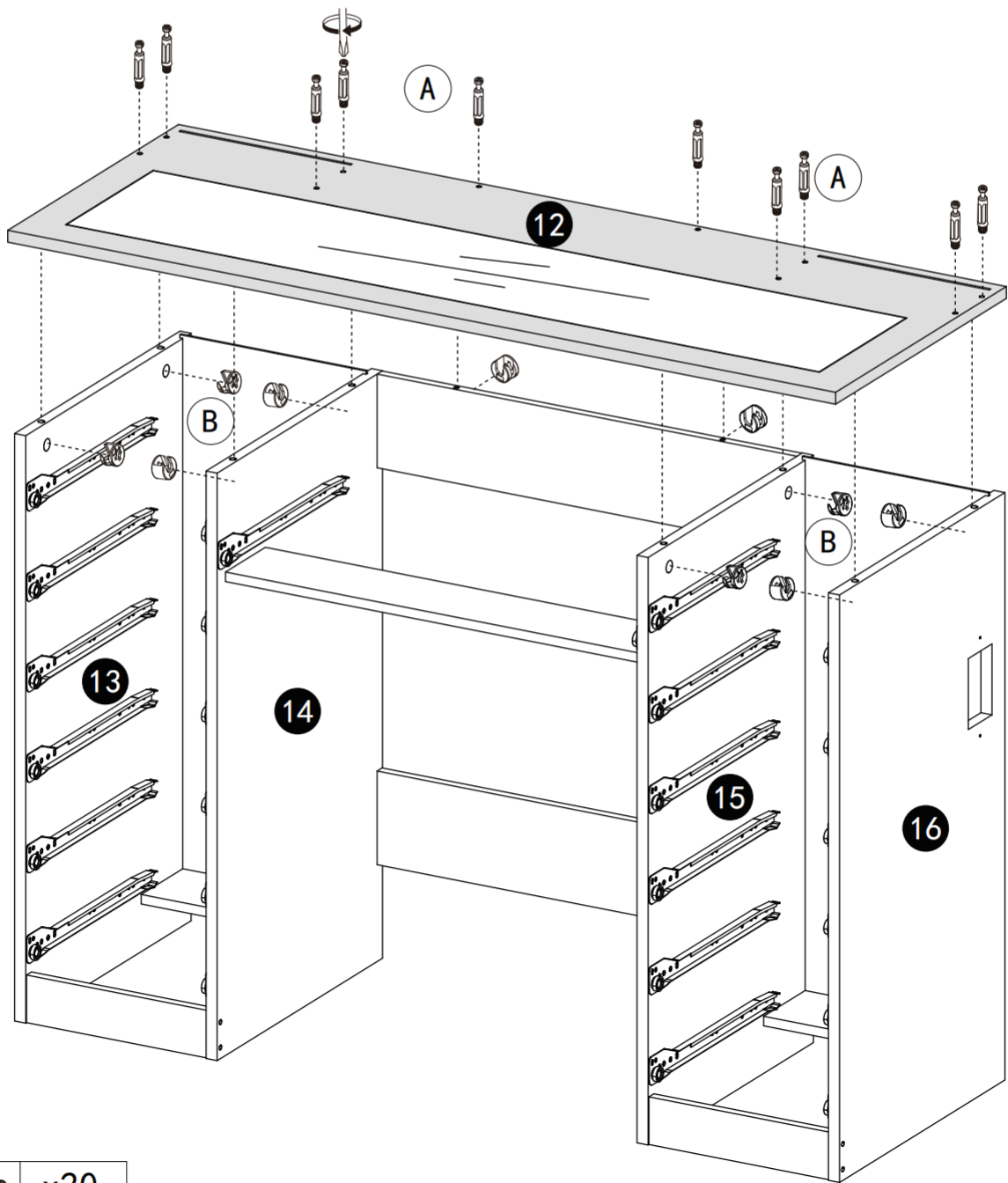
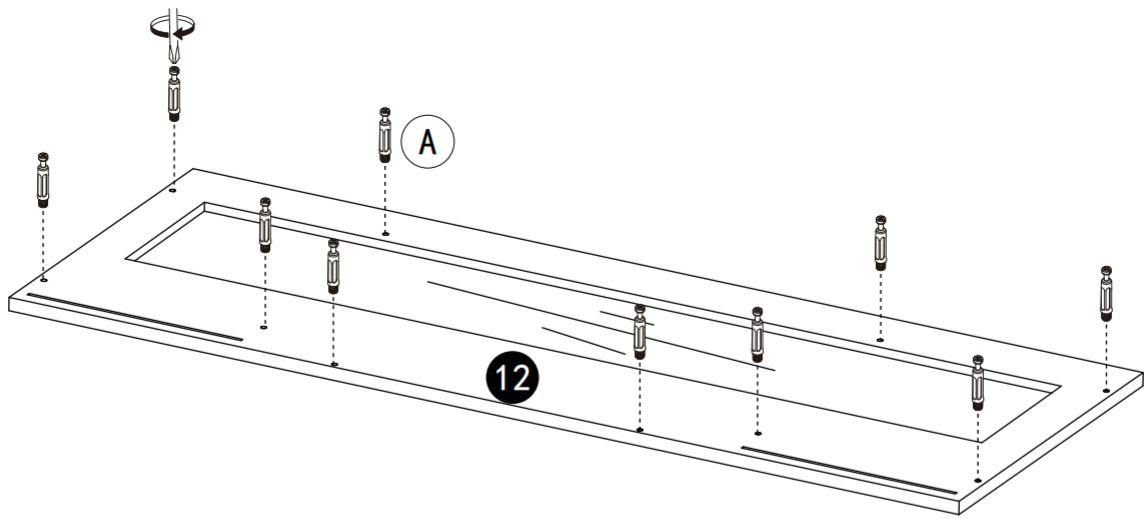
A		x2	F	M5x40	x4
B		x2			





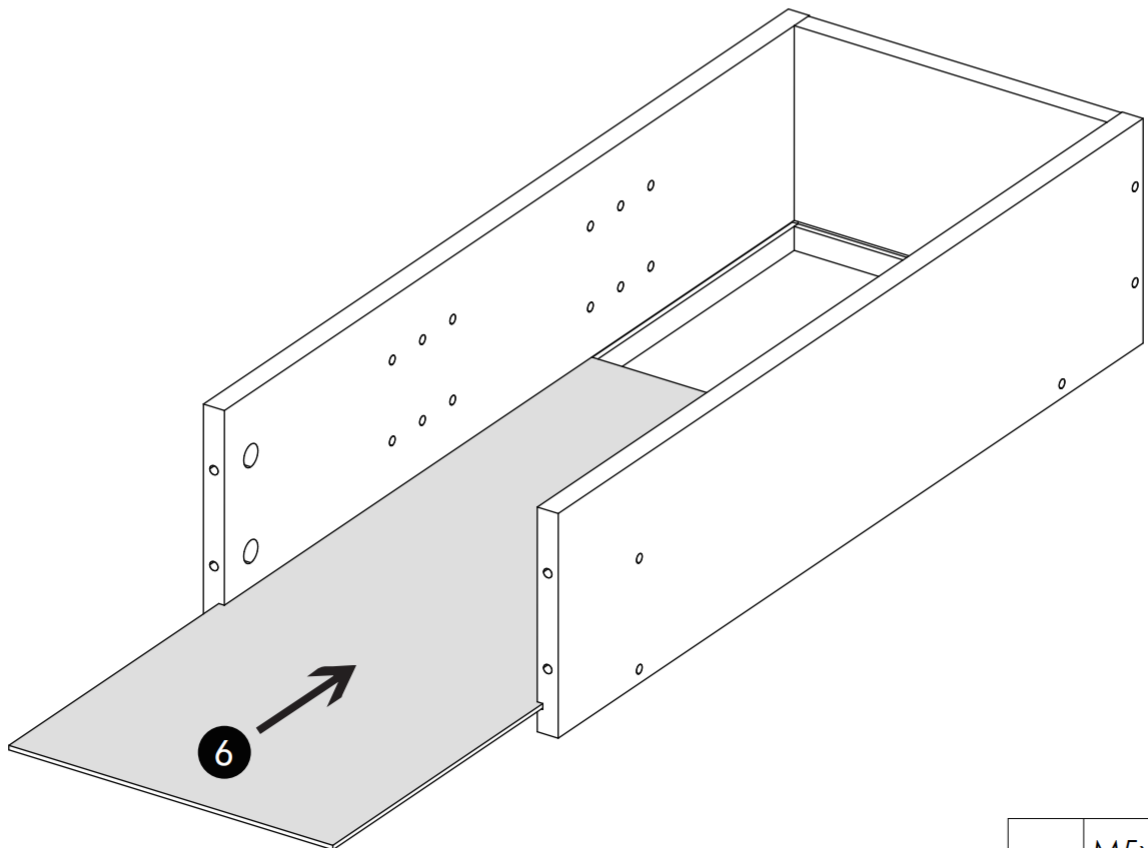
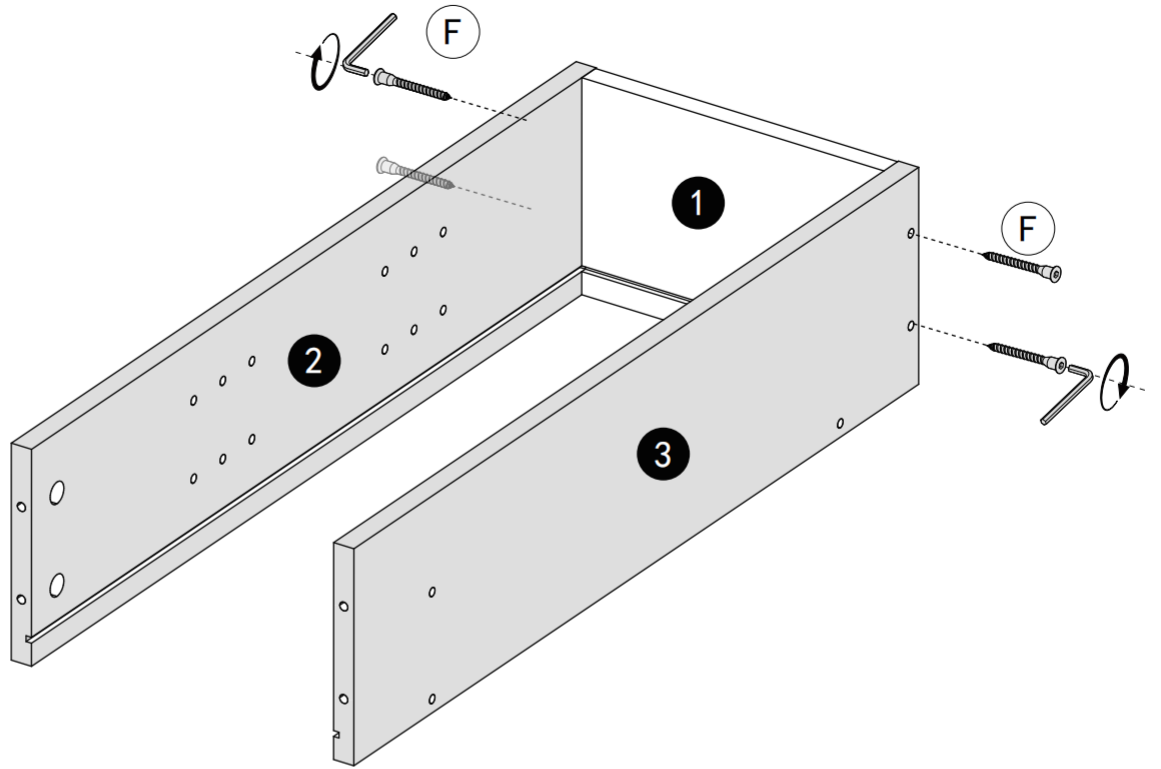
A		x4
---	---	----




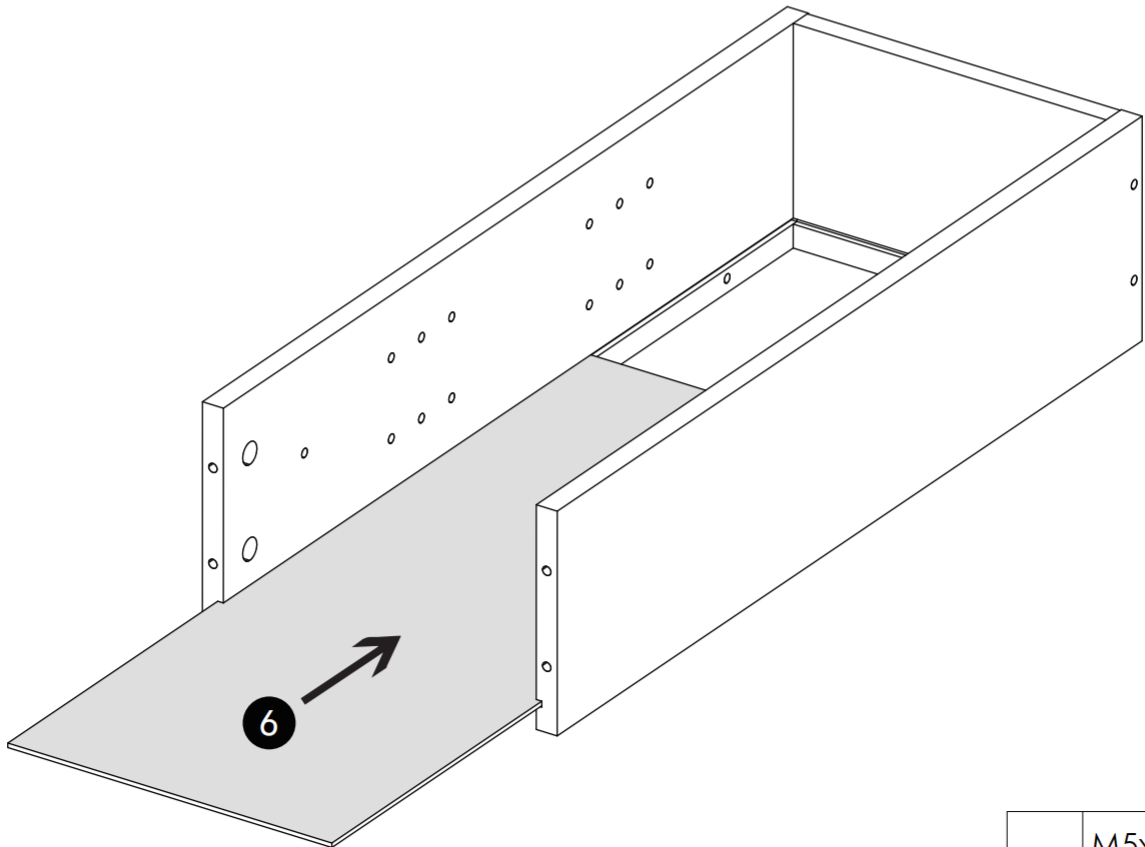
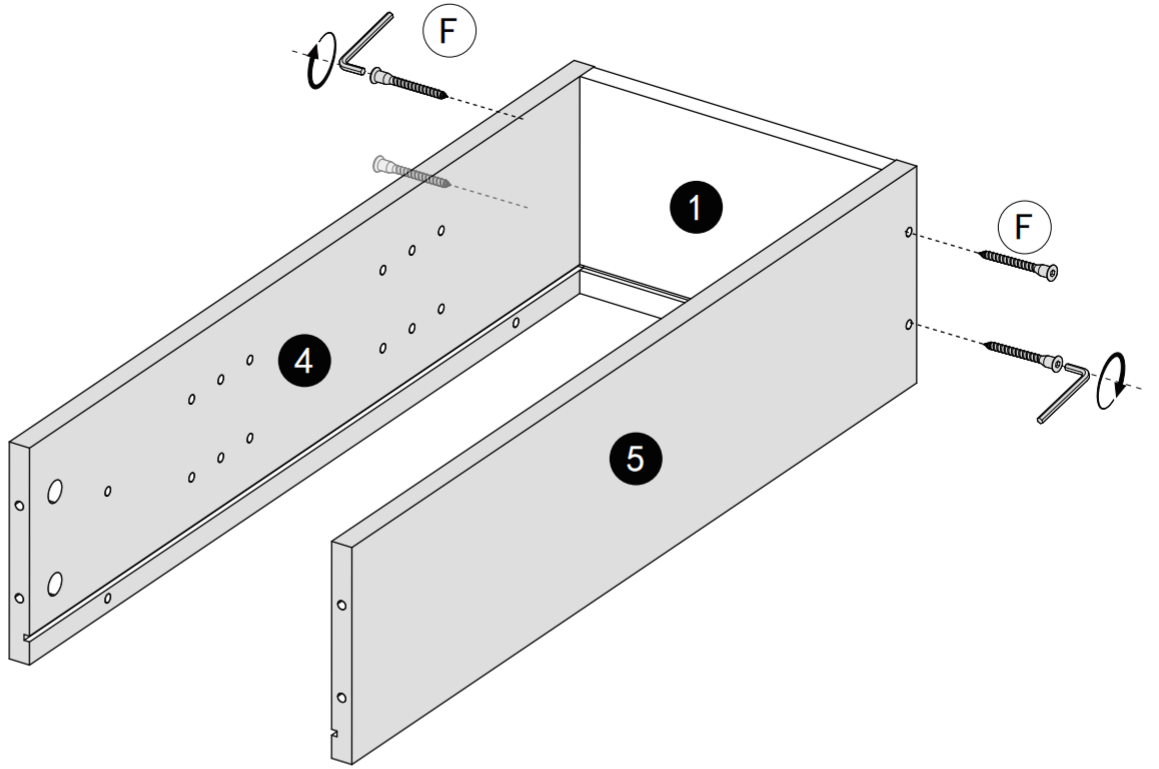
F	M5x40	x8	B		x4
					




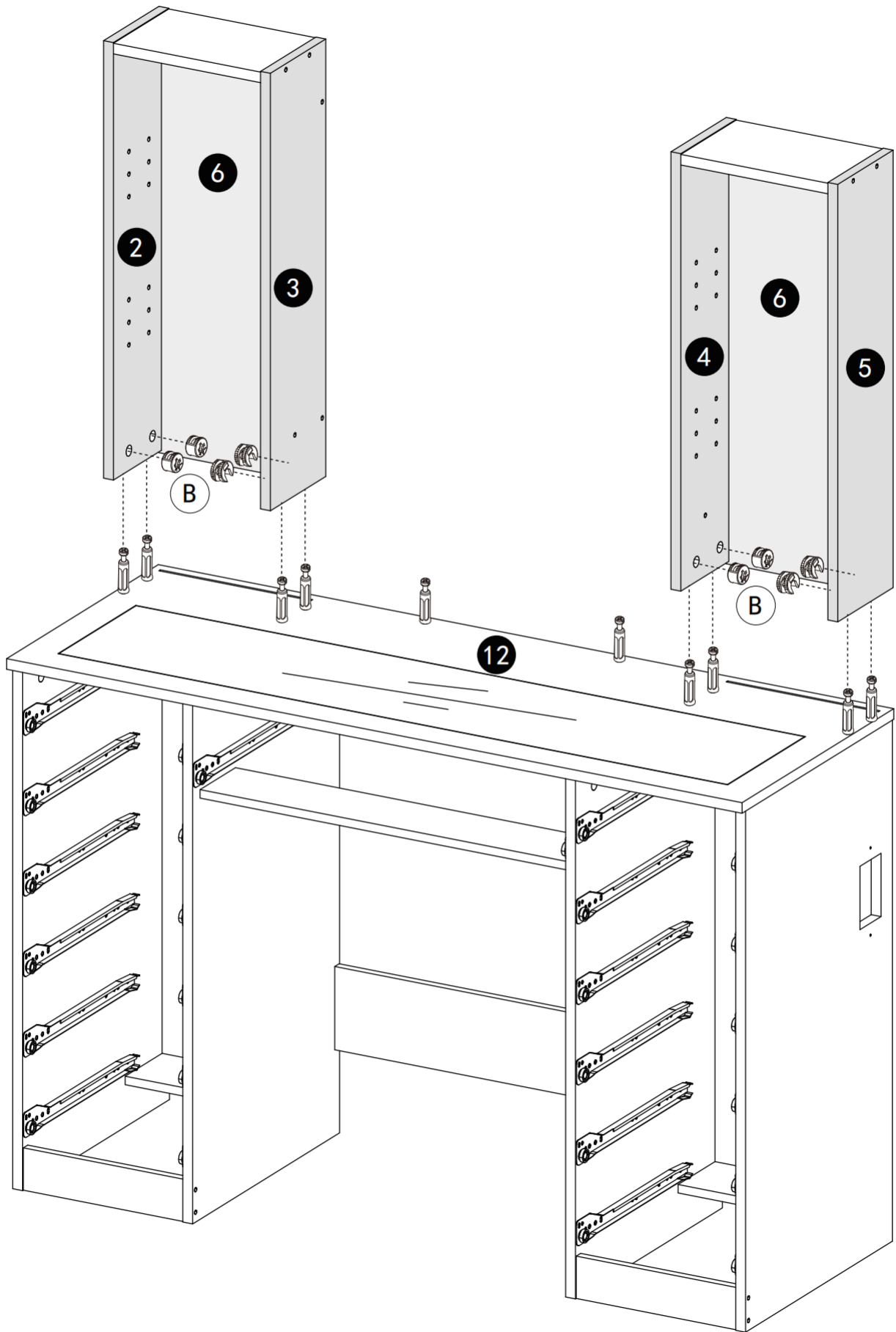
A		x20
B		x10



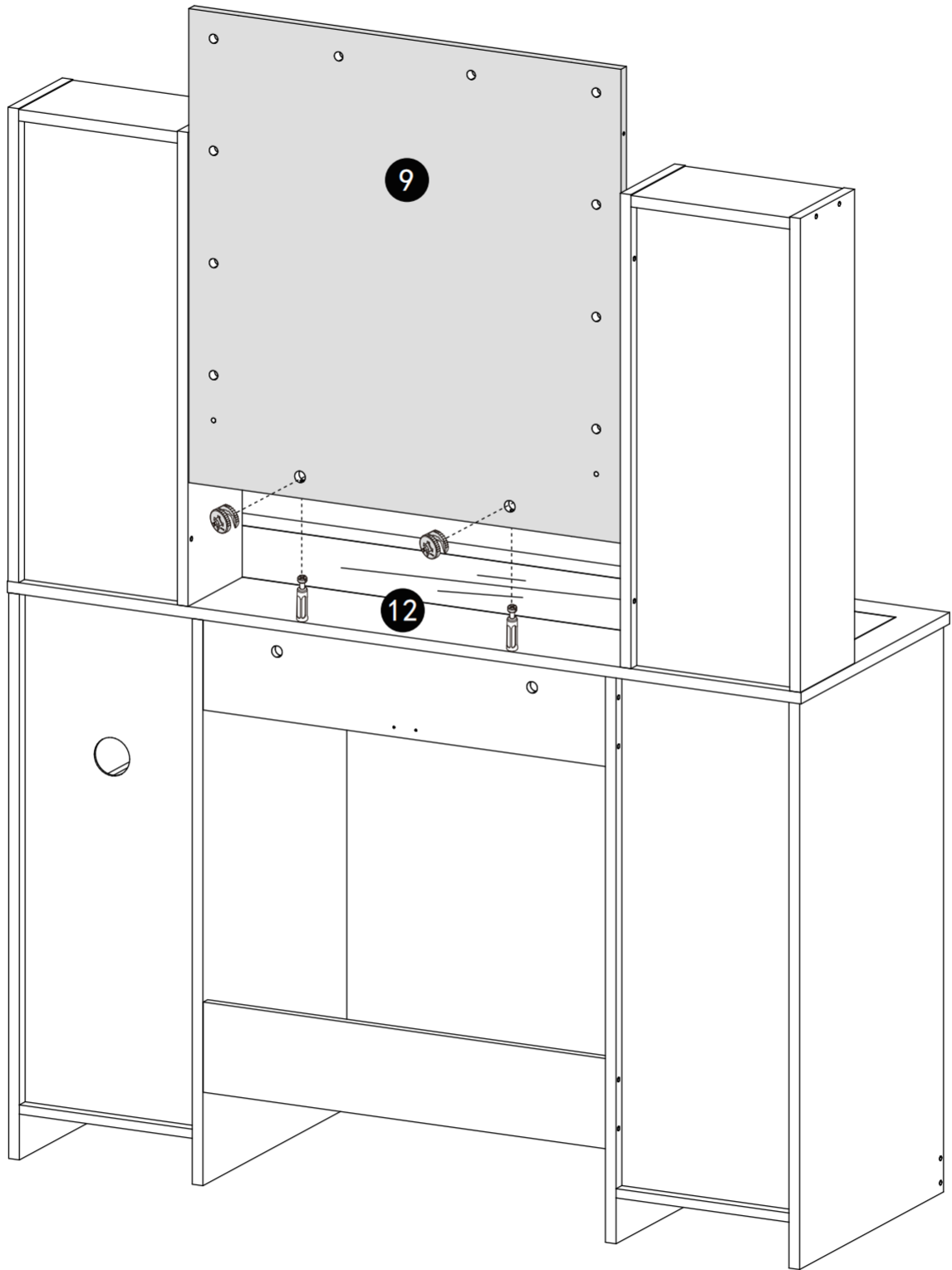
F	M5x40	x4
		



F	M5x40	x4
		



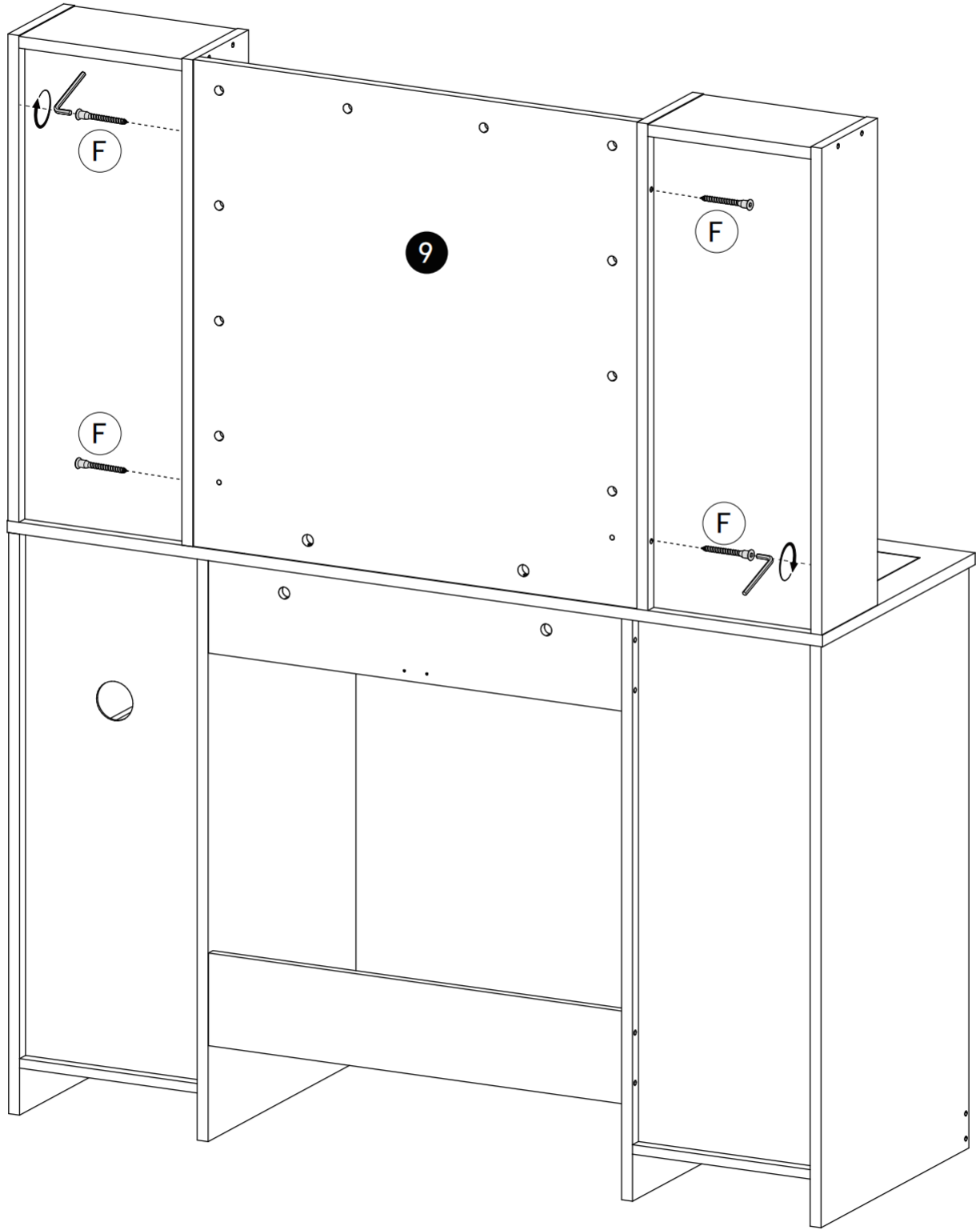
B		x8
---	---	----




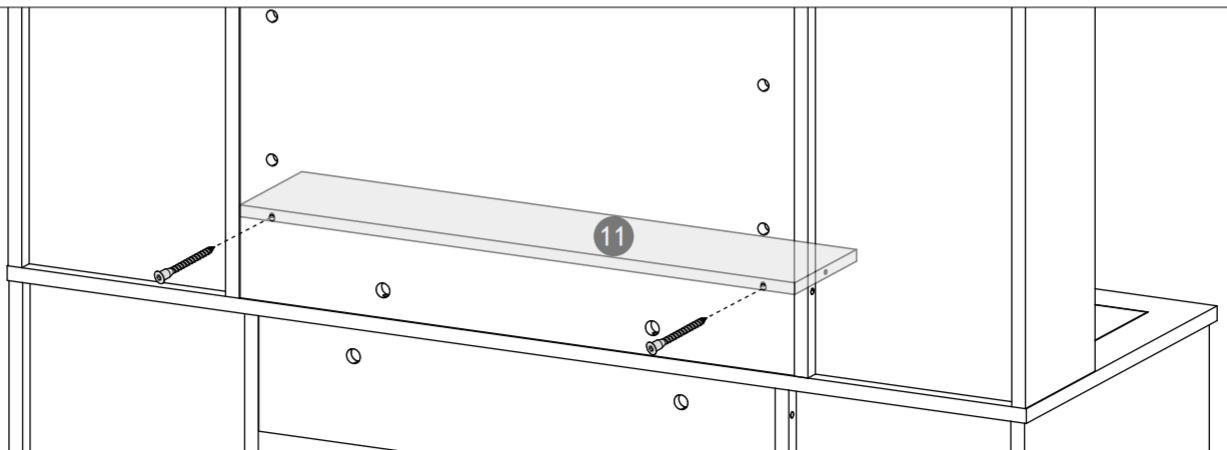
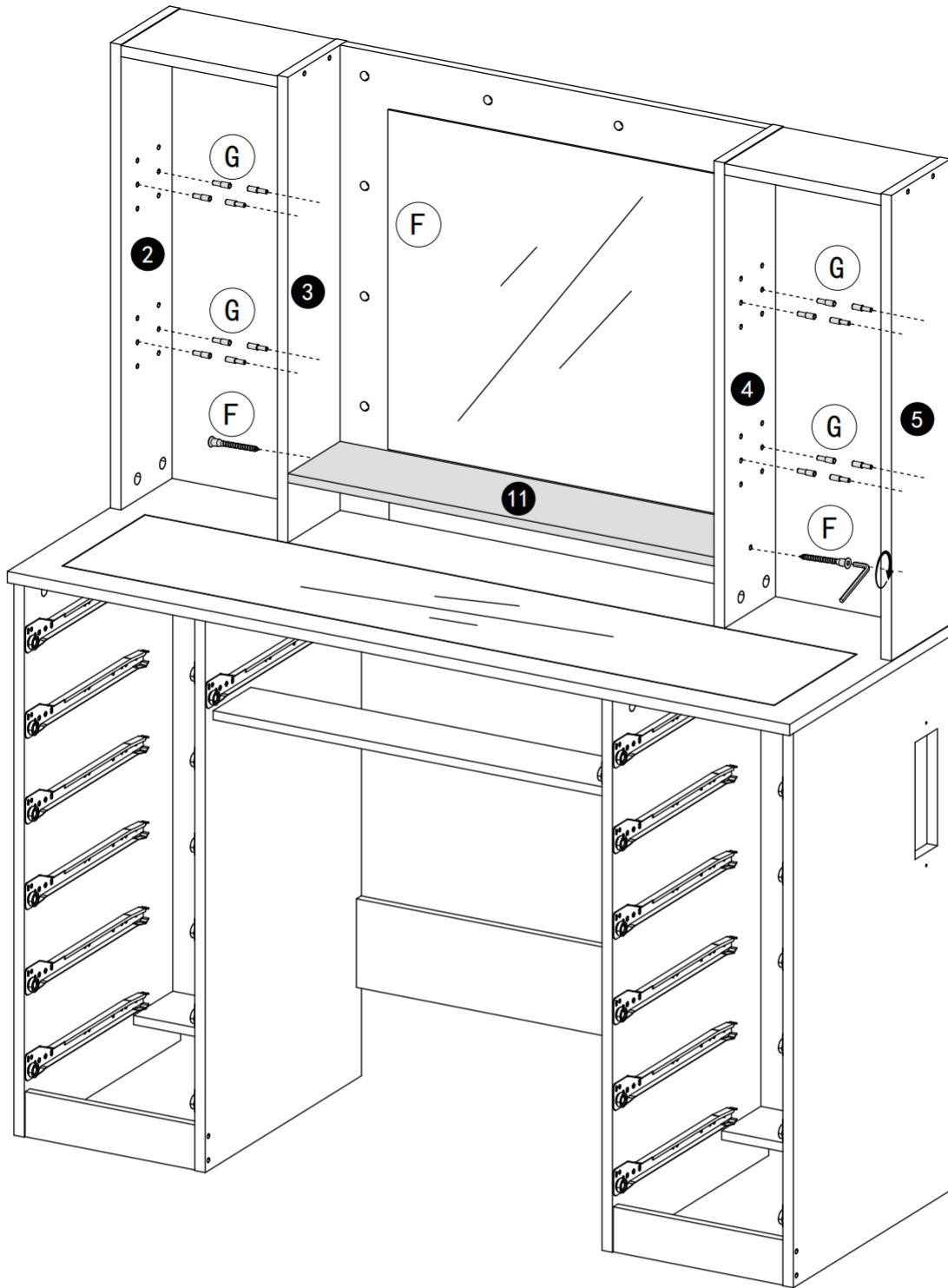
B



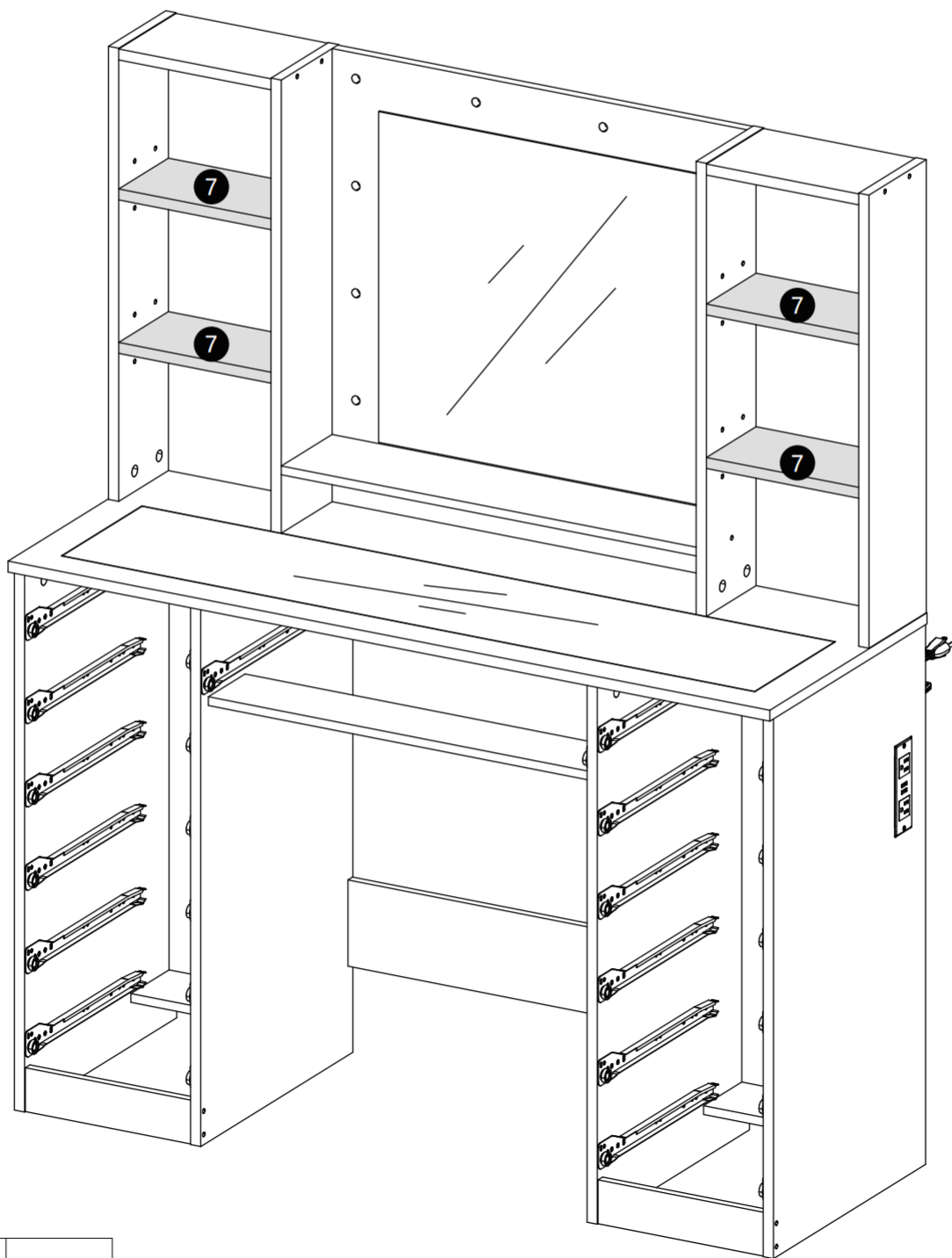
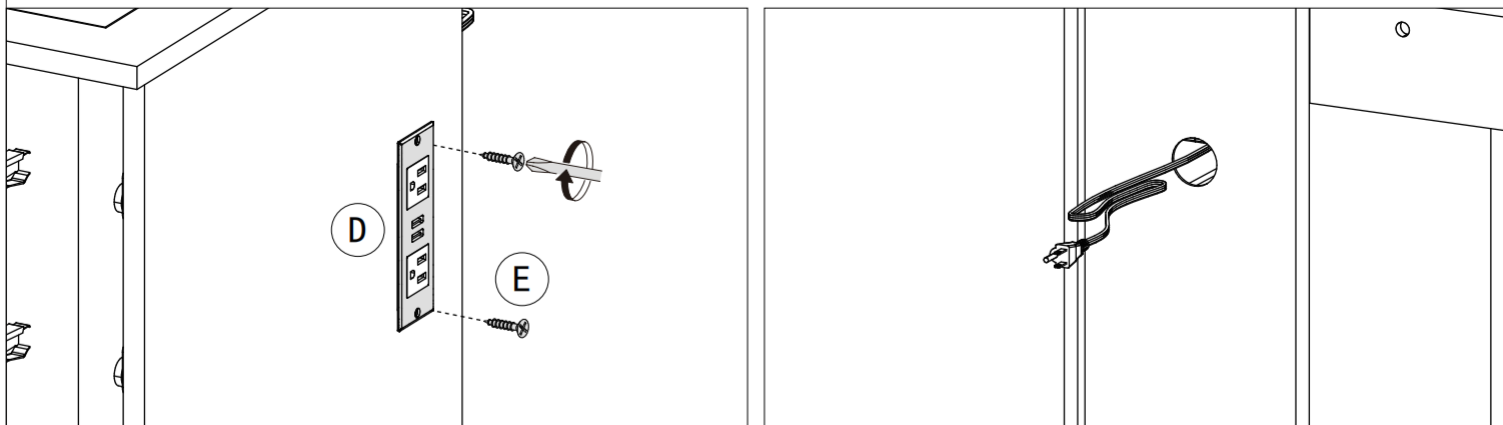
x2



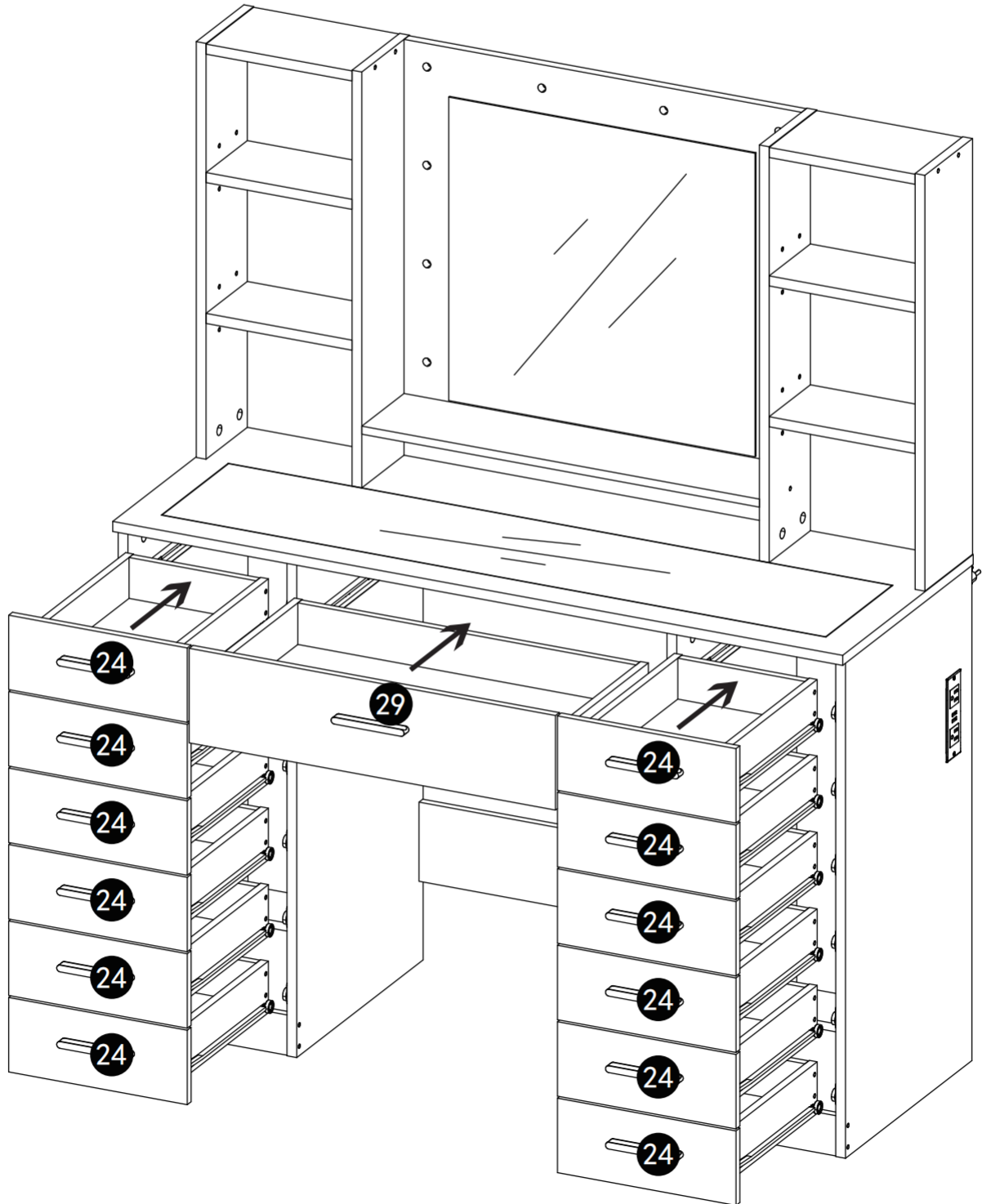
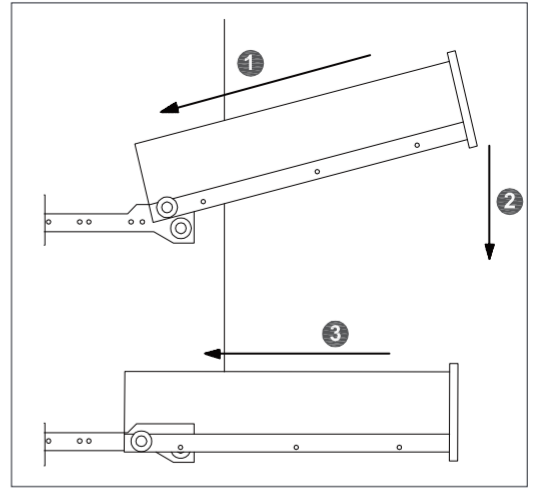
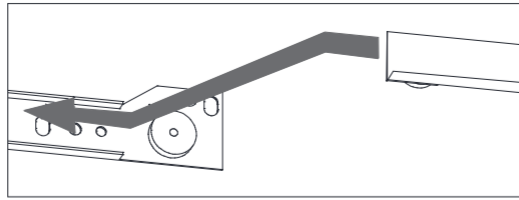
F	M5x40 	x4
---	--	----



F	M5x40	x4	G		x16
---	-------	----	---	--	-----



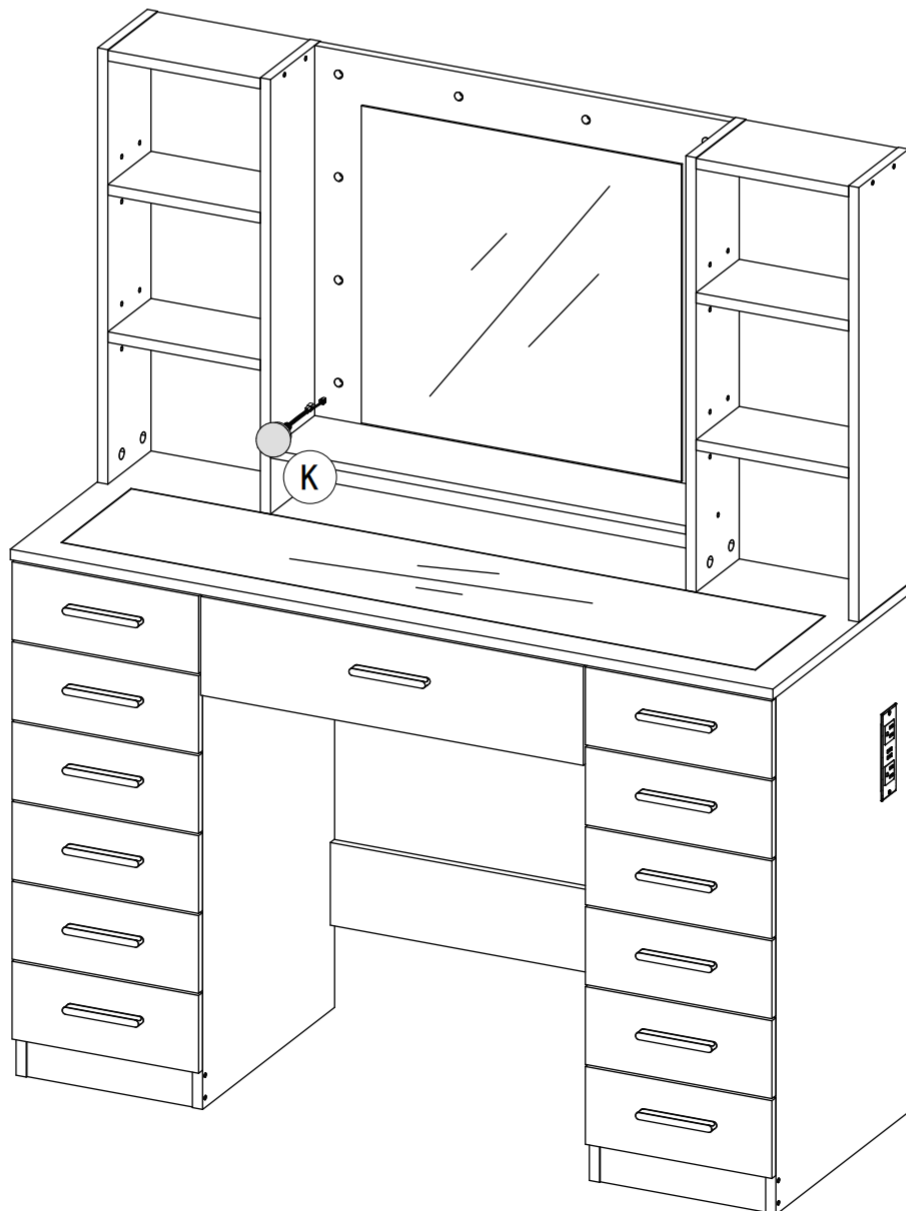
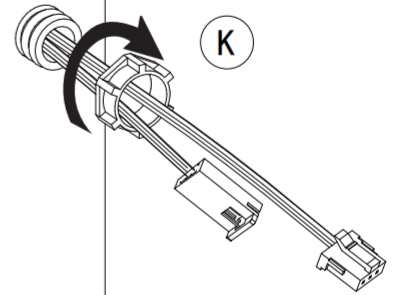
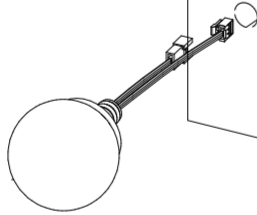
E	M3.5x12	x2	D		x1
---	---------	----	---	--	----



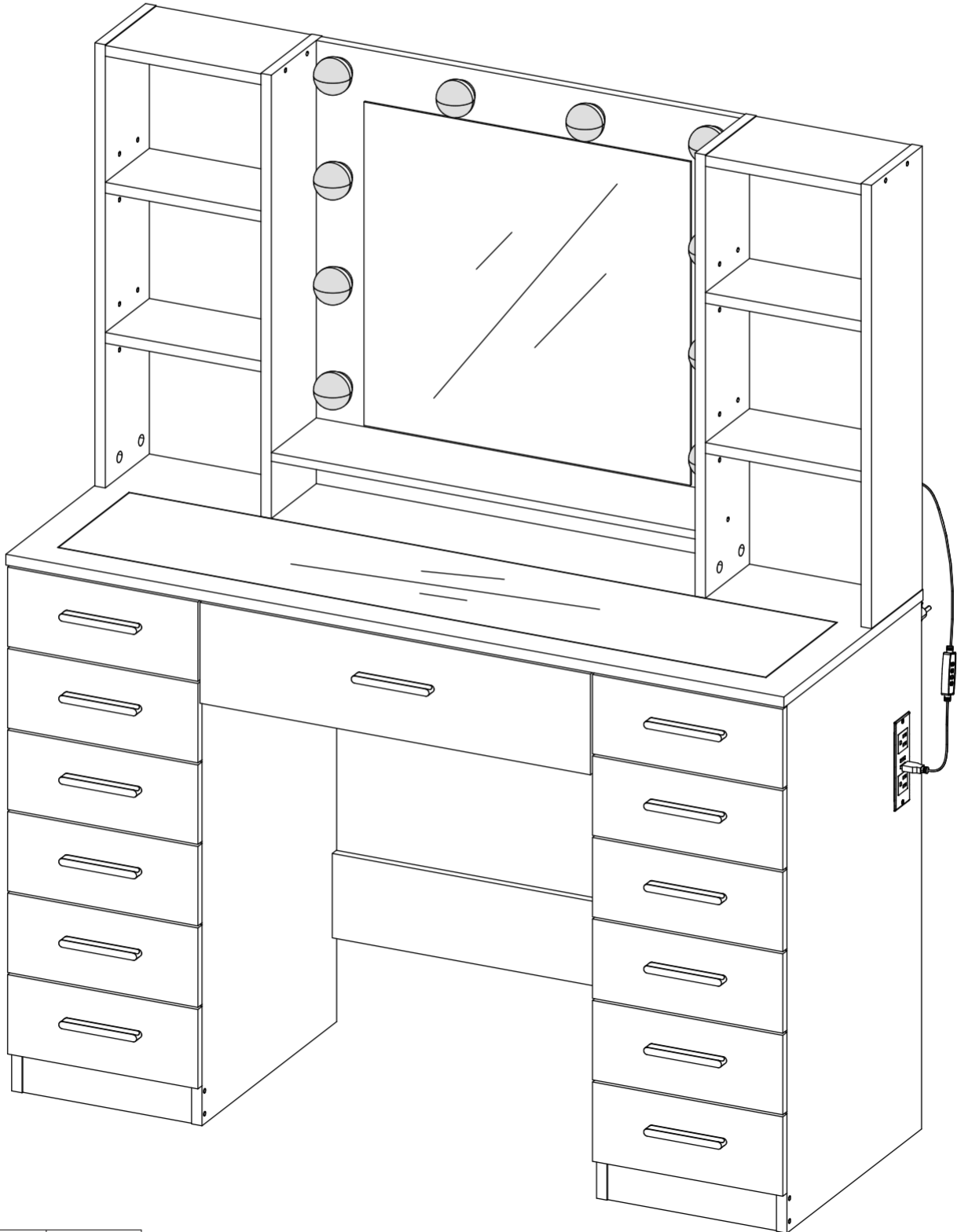
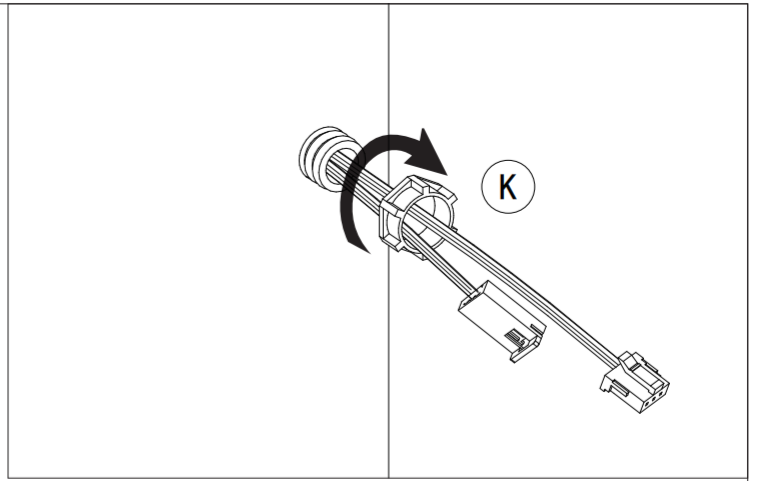
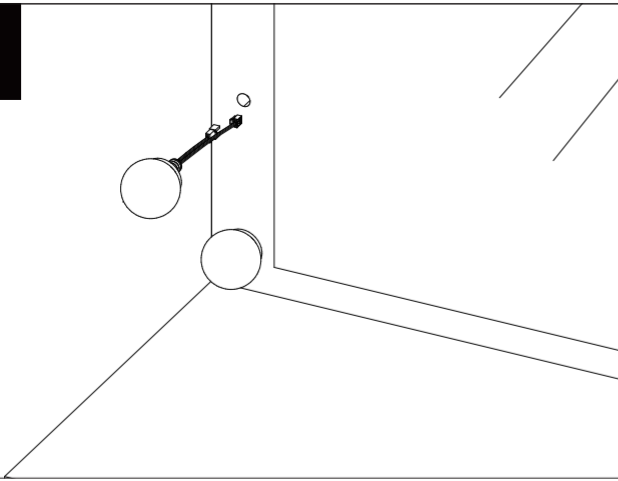


x10 PC

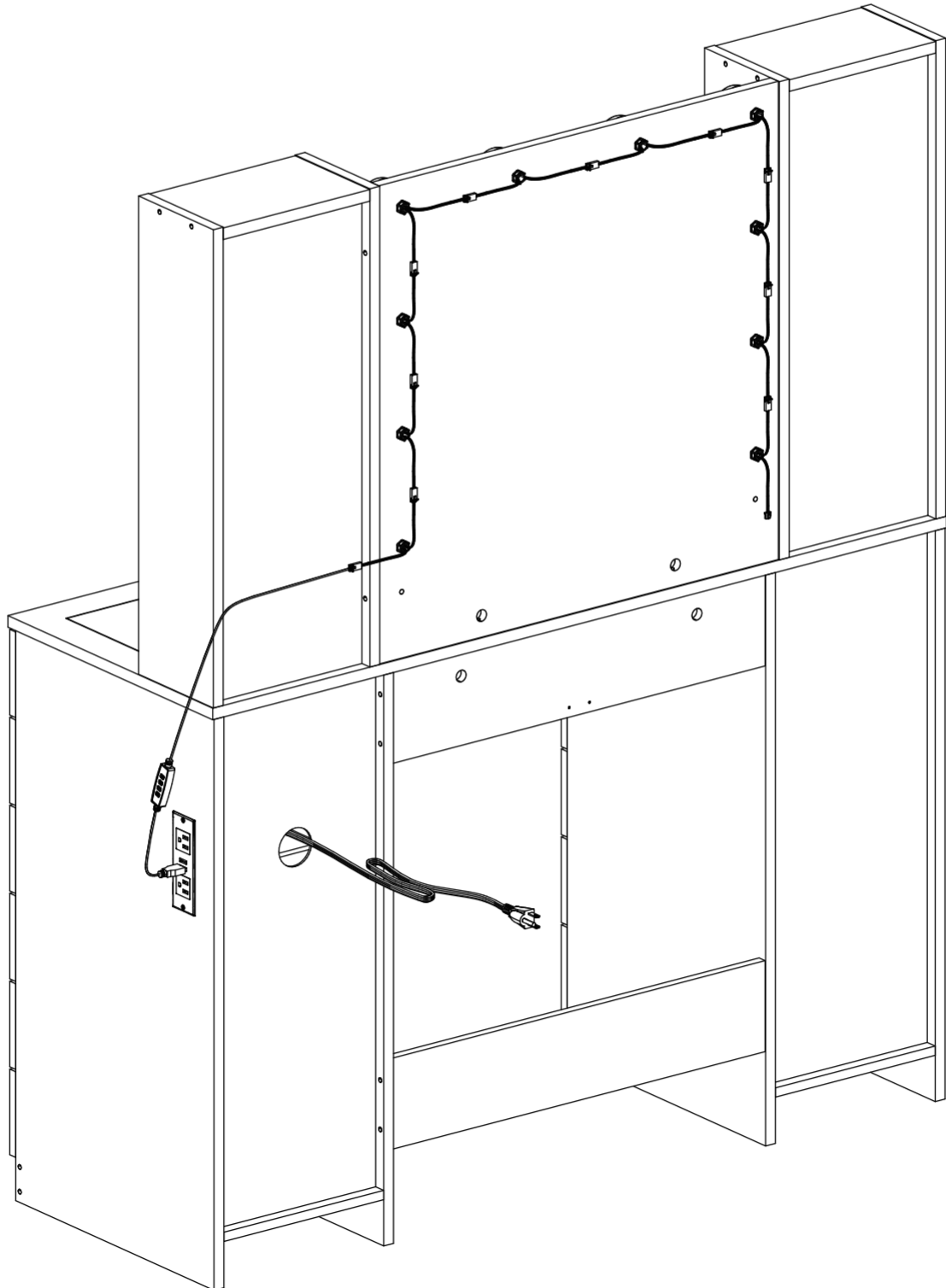
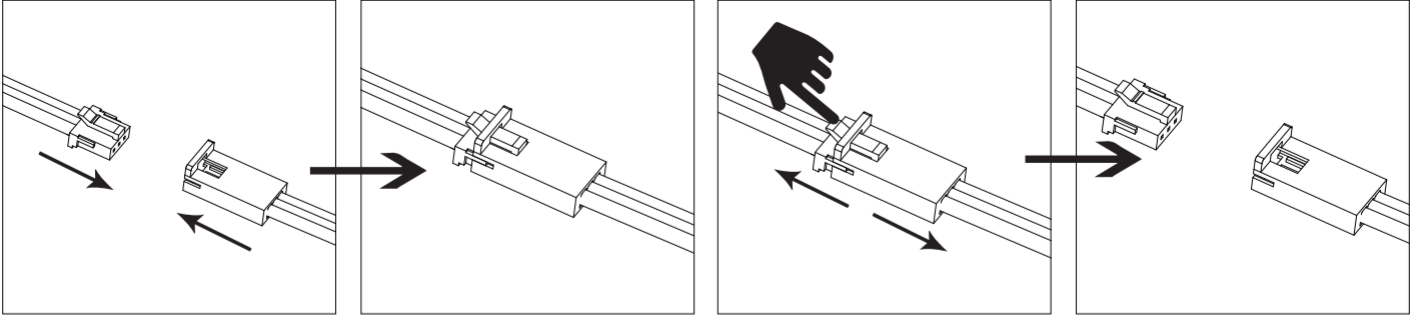
Install the
middle bulbs
(10 pcs)

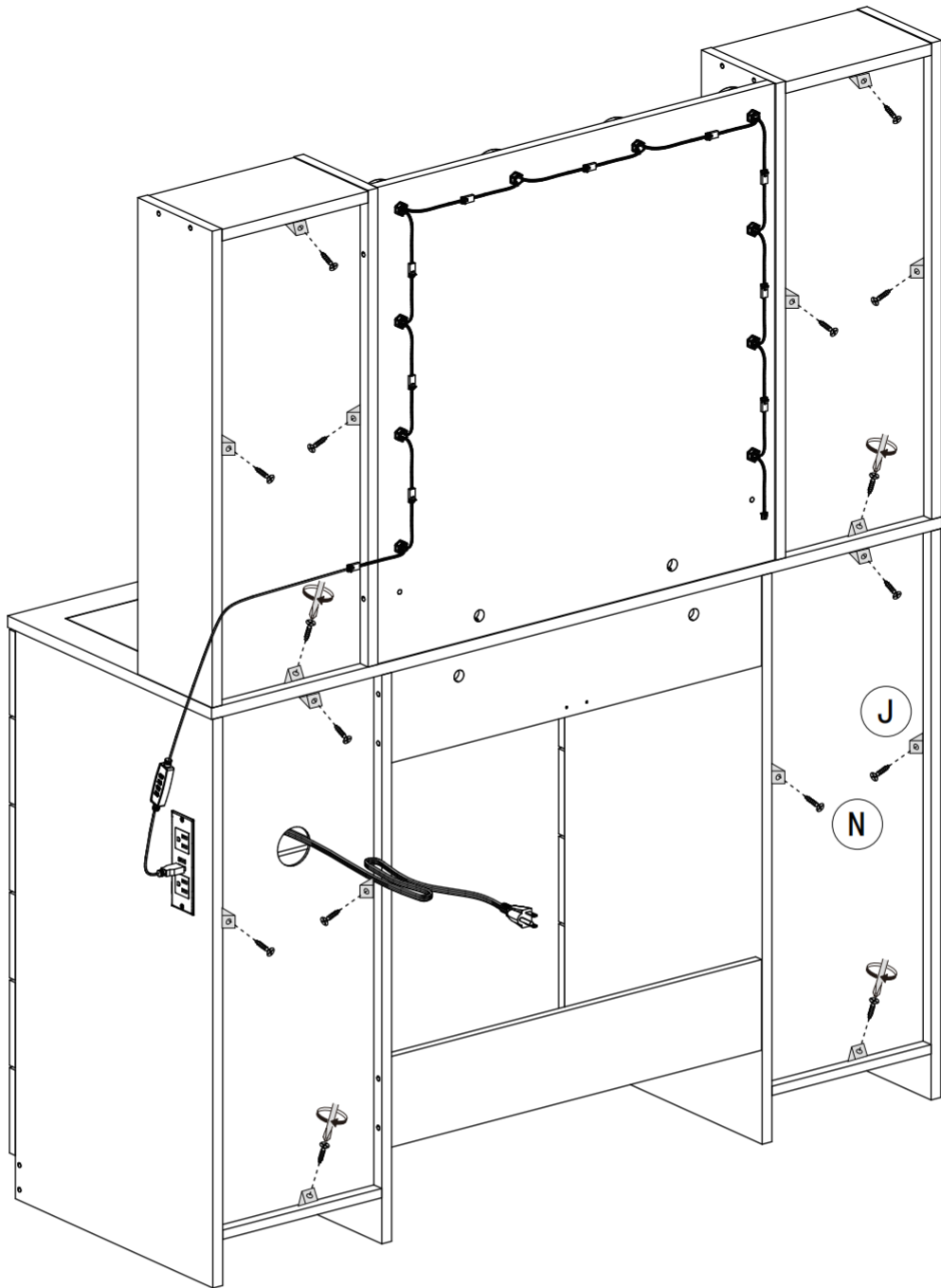


24

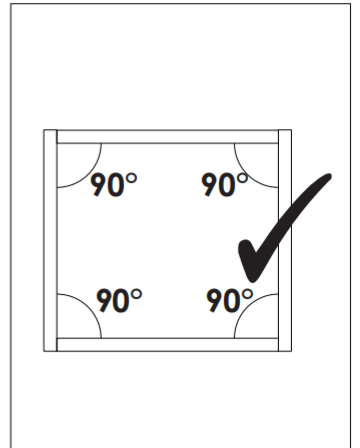
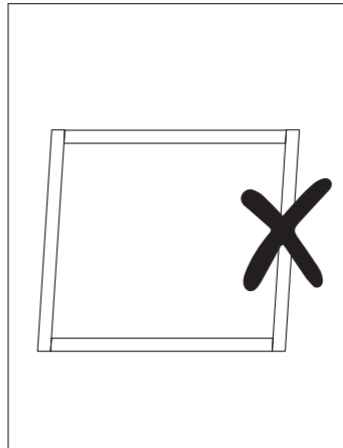
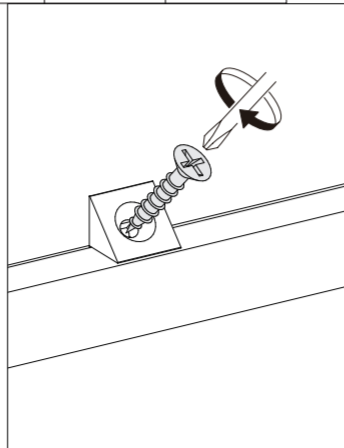
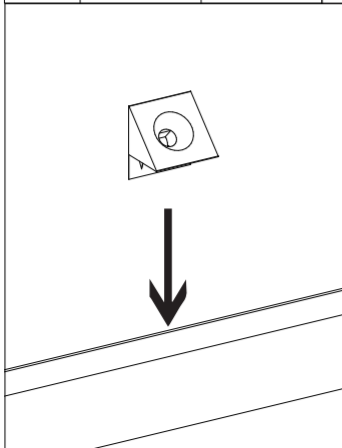


K		x1
---	---	----

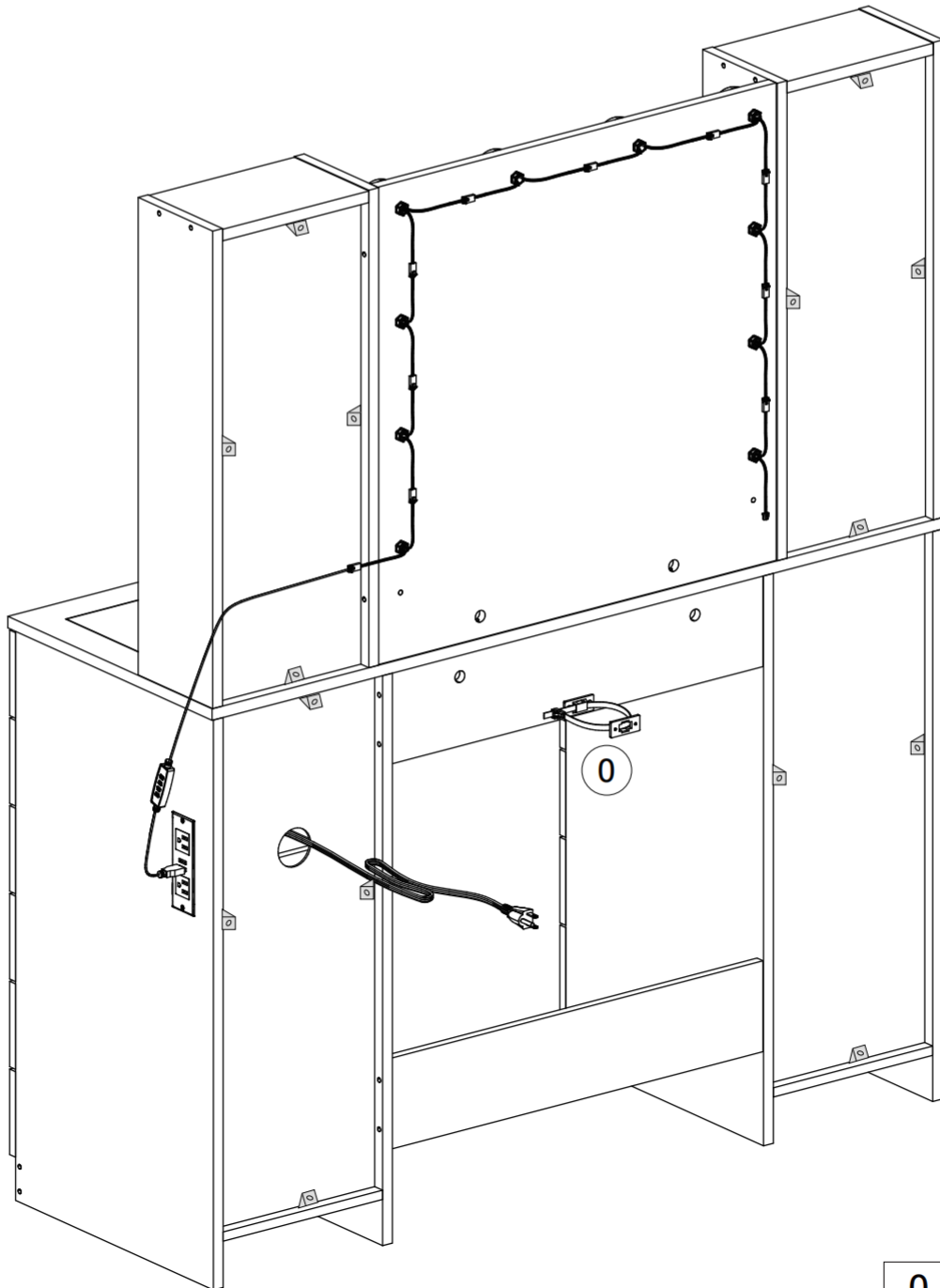
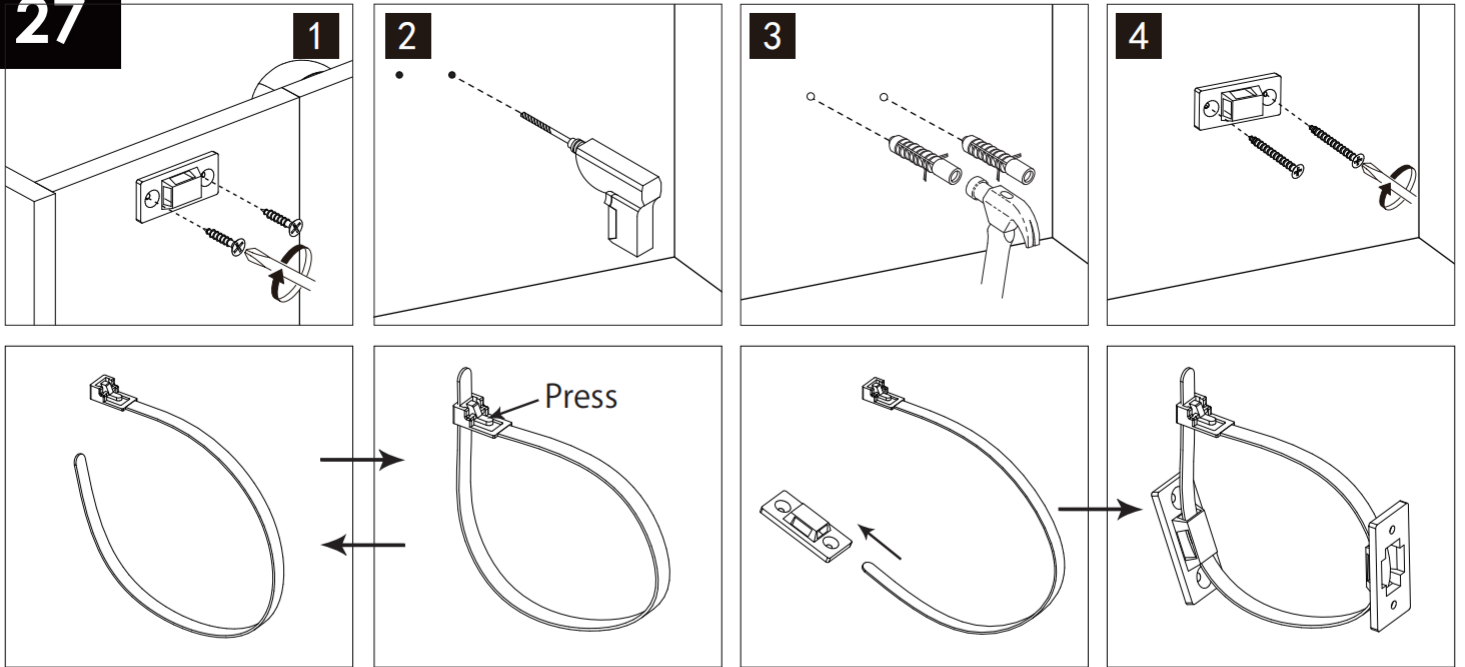





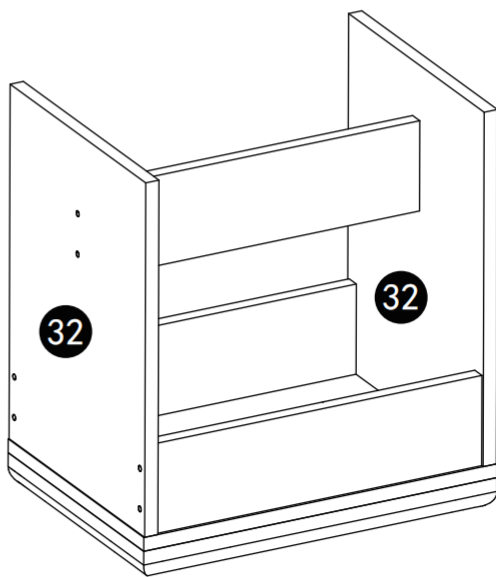
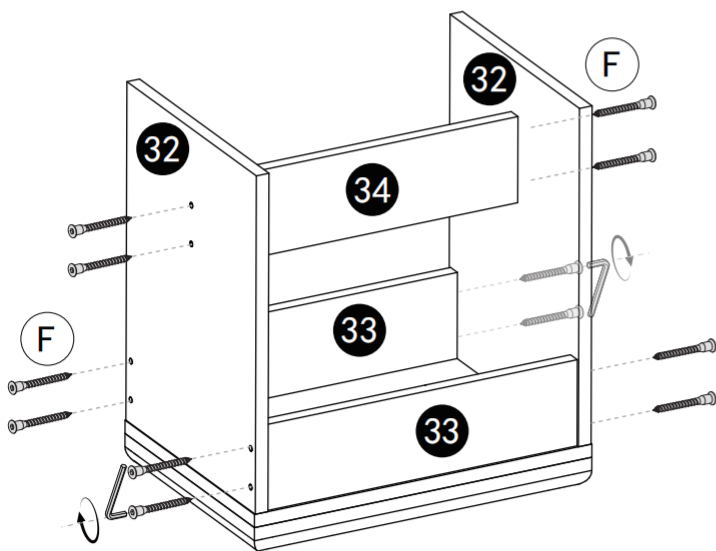
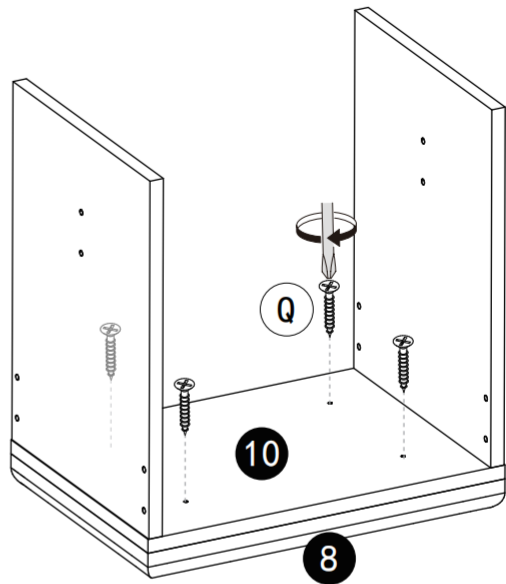
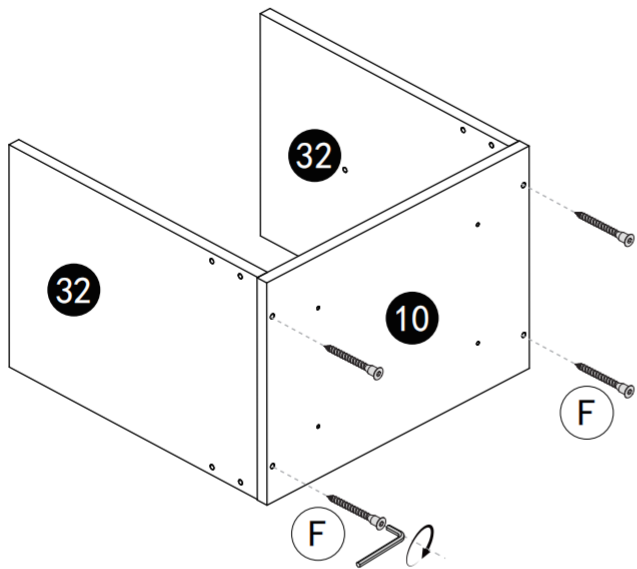
N	M3x14	x16	J		x16
---	-------	-----	---	--	-----



27



0  x1

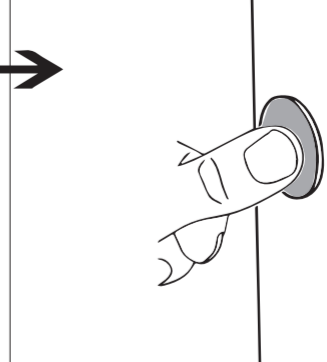
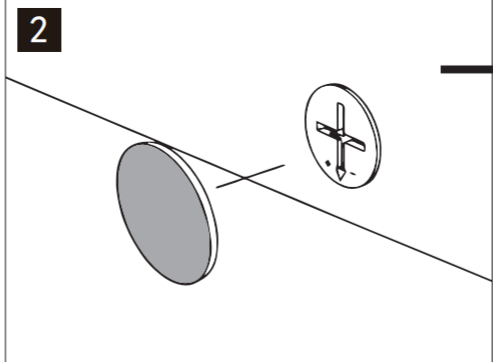
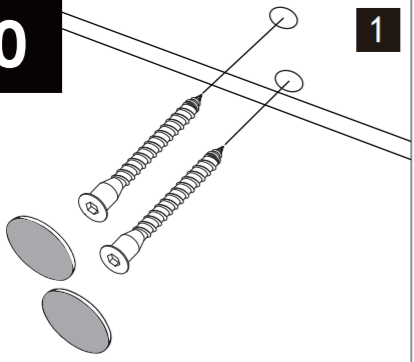


Q		x4	F		x16
---	--	----	---	---	-----

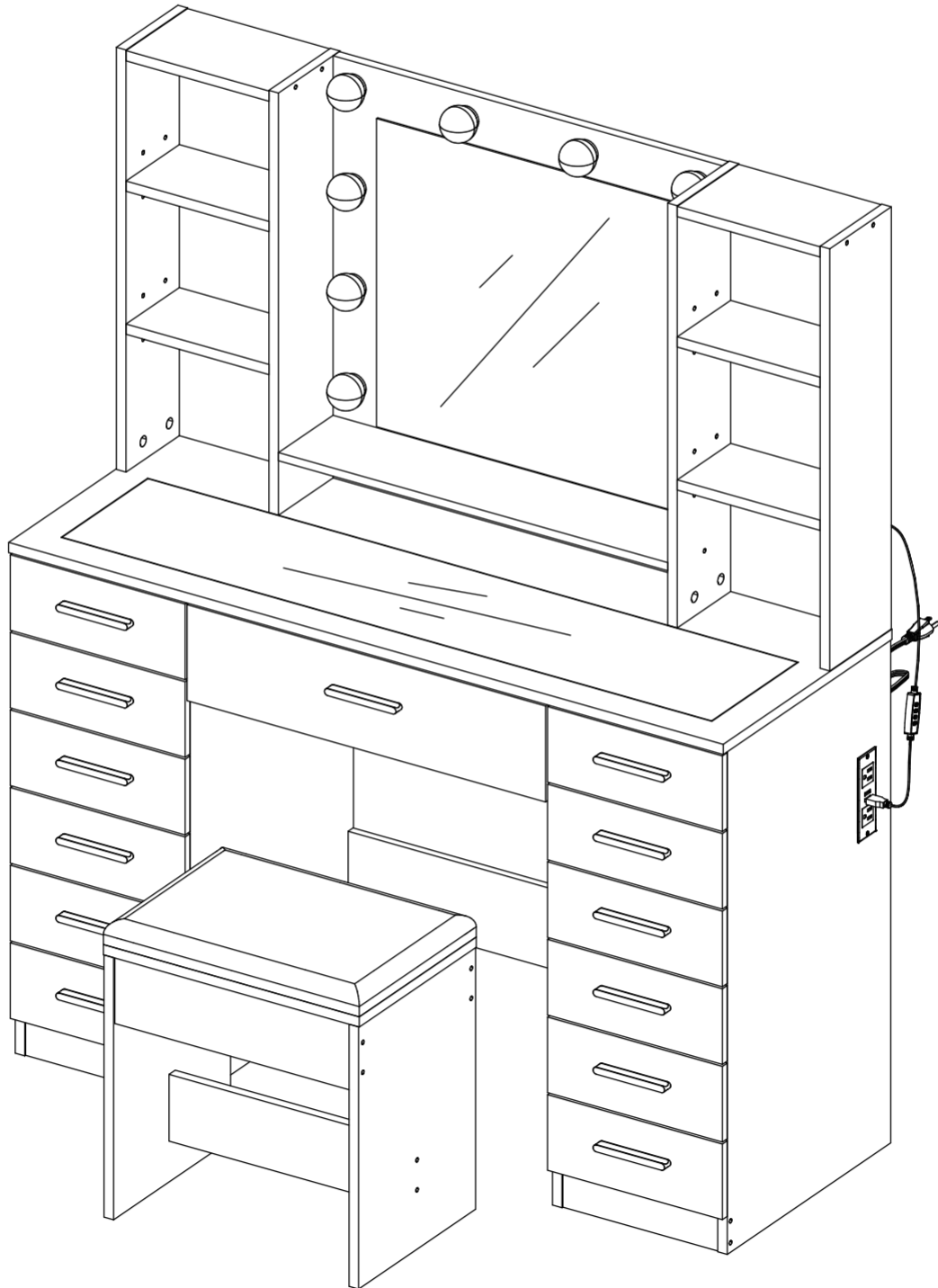
30

1

2



Add L fittings to all exposed holes on the front of the product



L ● x20