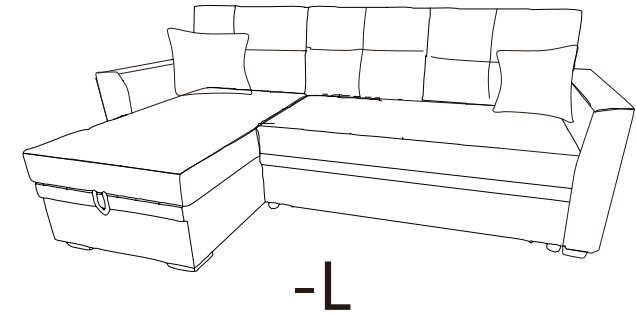
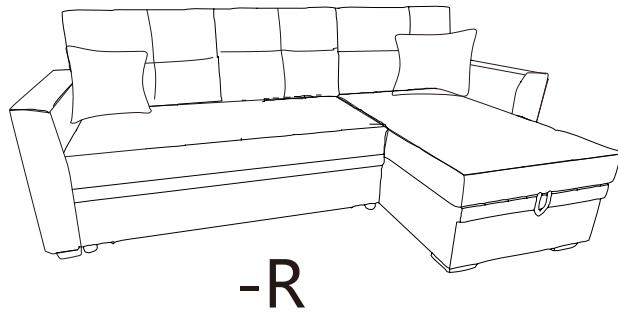


ASSEMBLY INSTRUCTION

ITEM NO.:D76810/D76812/D76813/76815/D76817/D76818/76819

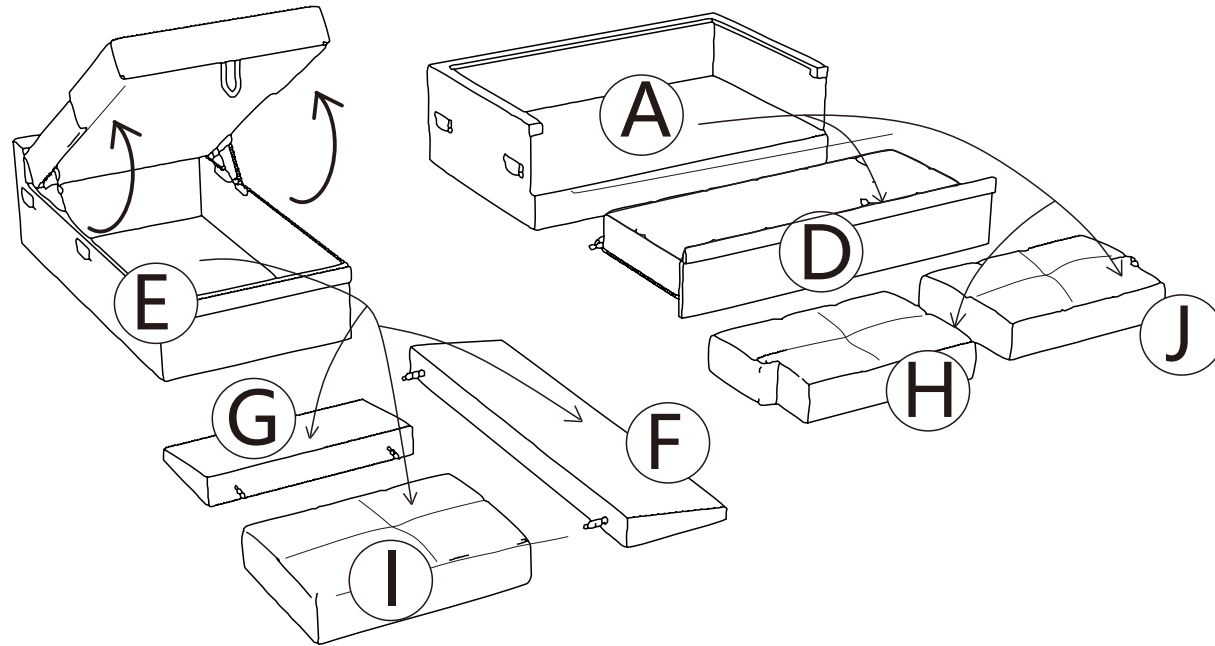


PARTS LIST

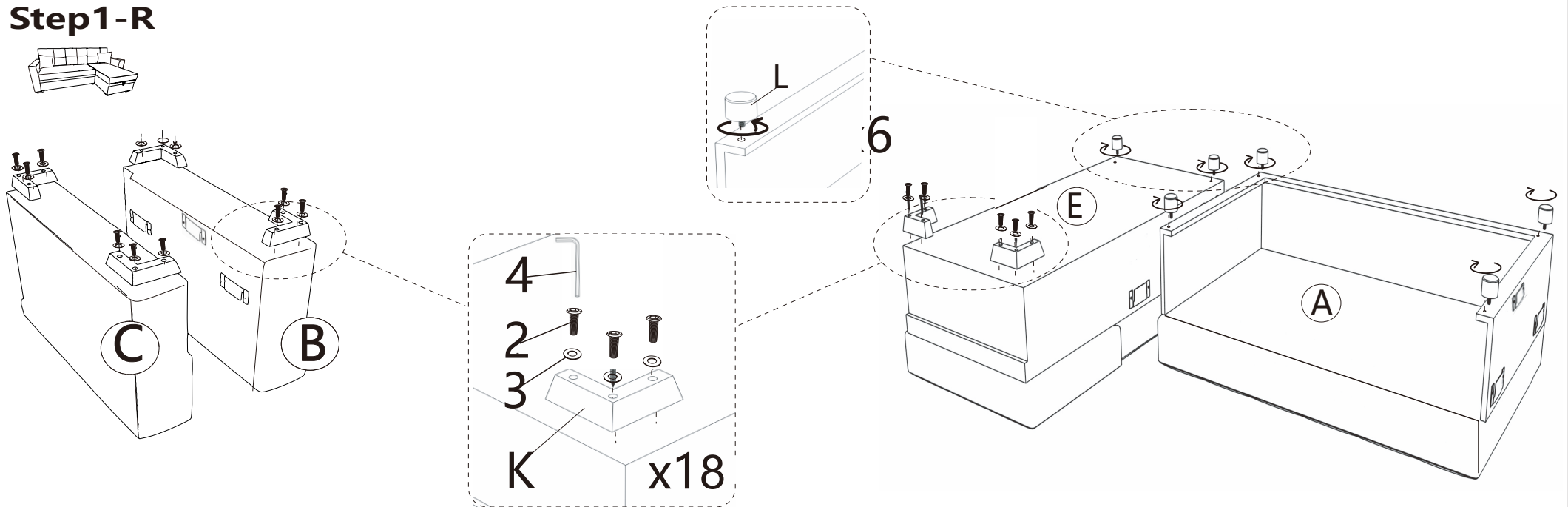
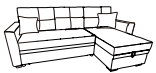
A x1	B x1	C x1	D x1	E x1	F x1
G x1	H x1	I x1	J x1	K x6	L x6

HARDWARE LIST

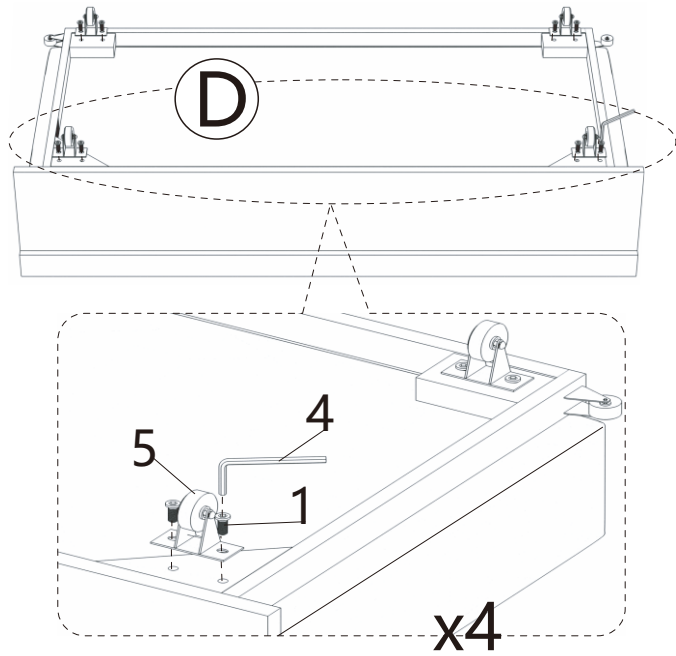
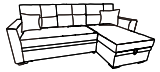
1 x8	2 x18	3 x18	4 x1	5 x4	6 x2



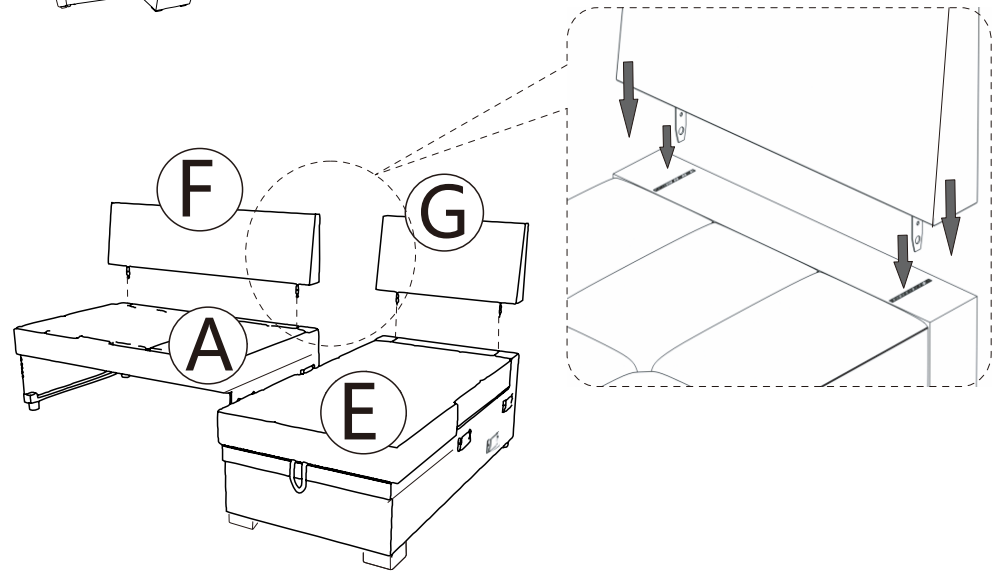
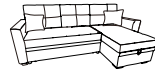
Step 1-R



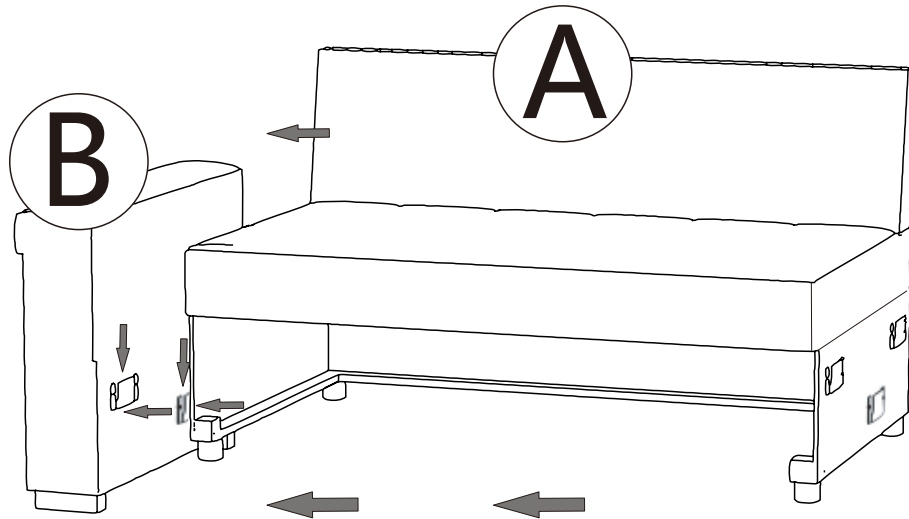
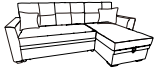
Step2-R



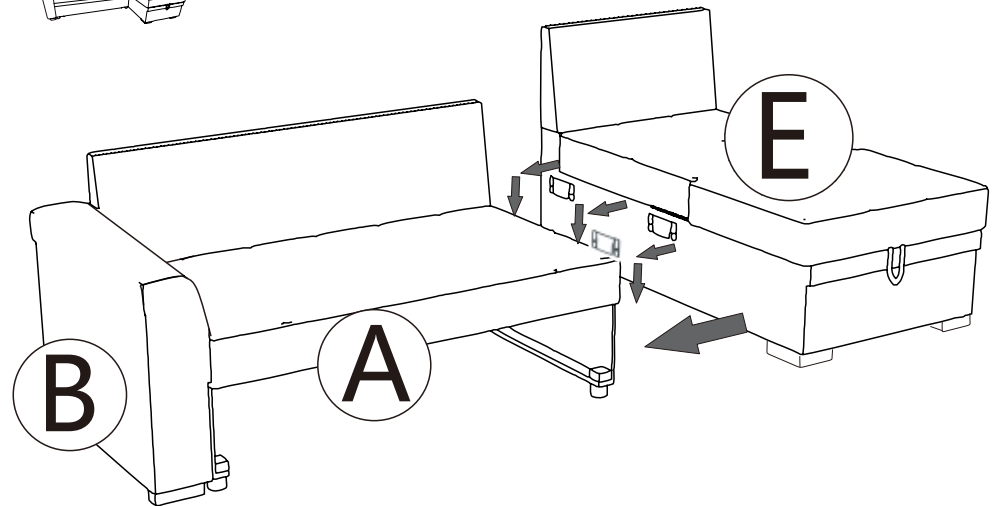
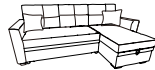
Step3-R



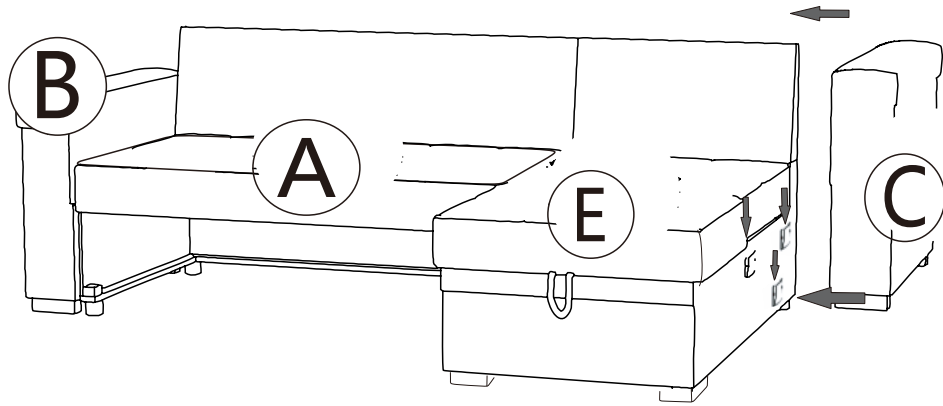
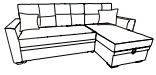
Step4-R



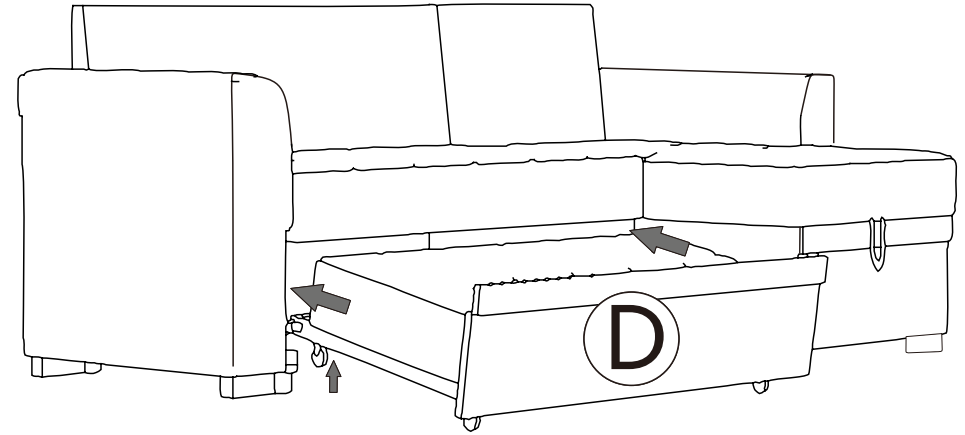
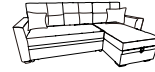
Step5-R



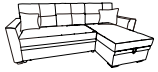
Step6-R



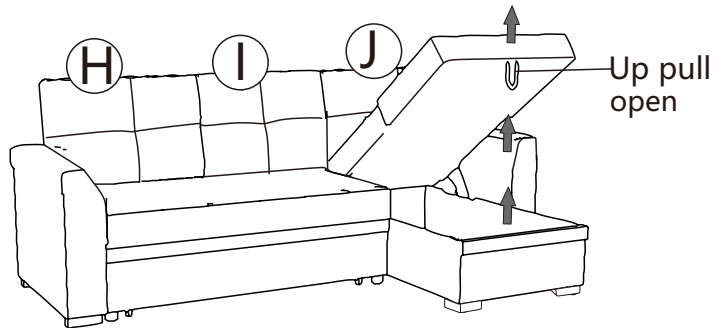
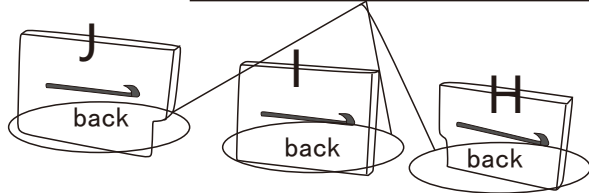
Step7-R



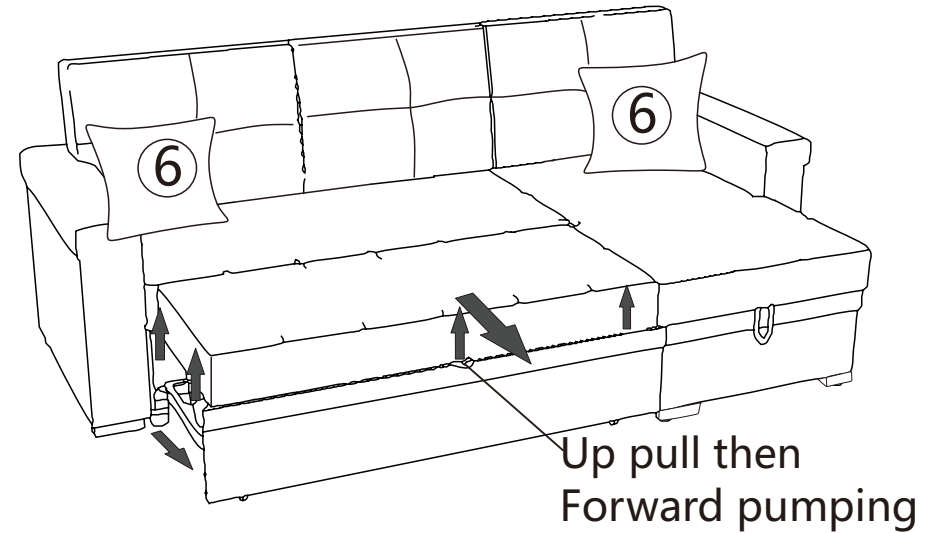
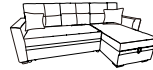
Step8-R



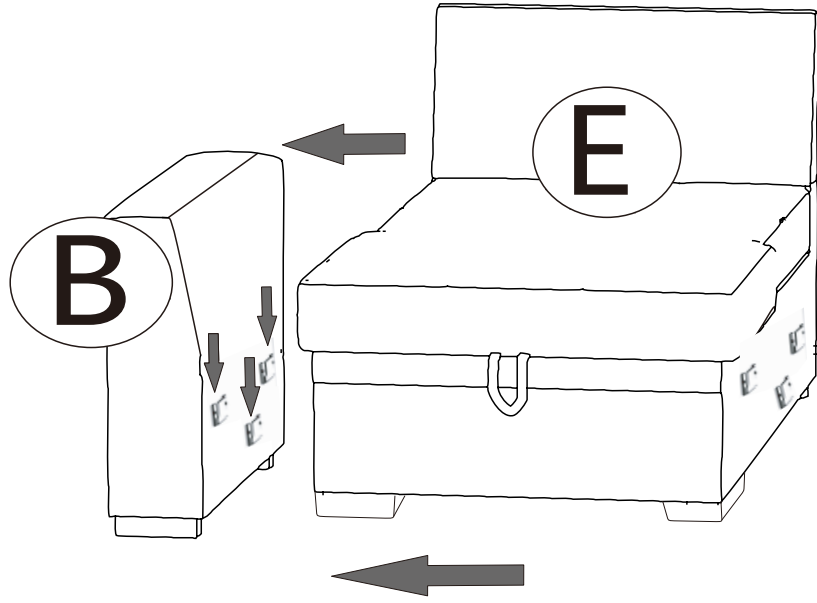
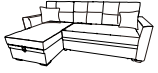
Please kindly remove the black cover tape from the velcro before you place the cushion on top.



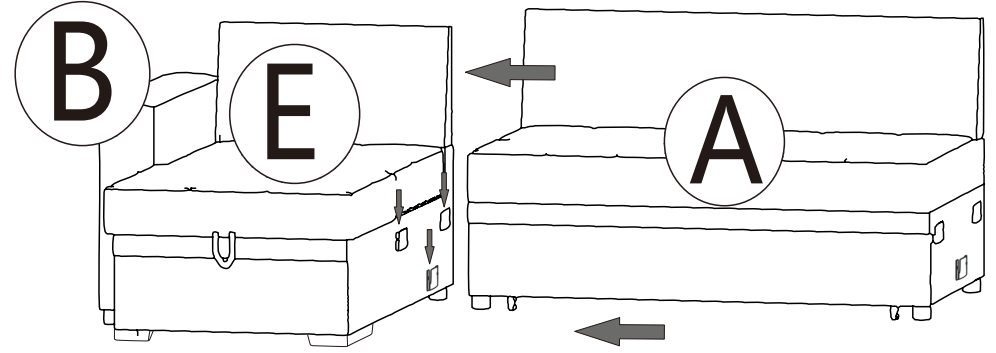
Step9-R



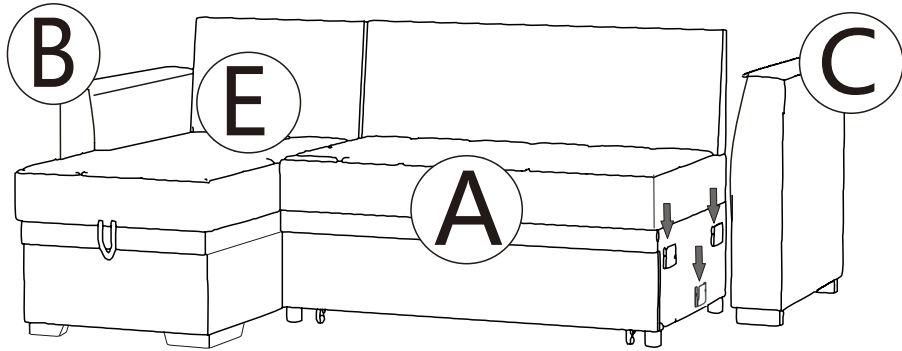
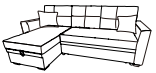
Step1-L



Step2-L



Step3-L



Step4-L

