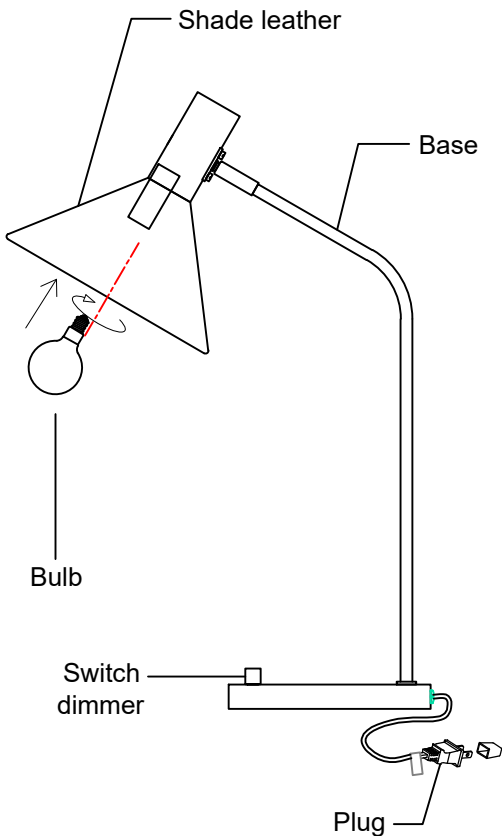
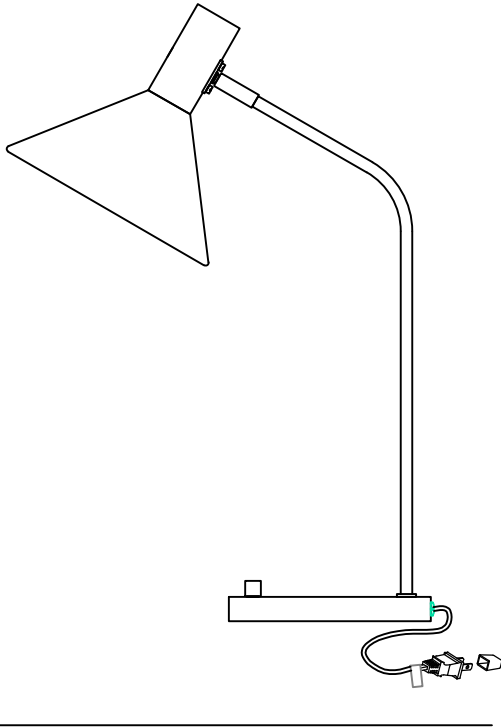


# ASSEMBLY INSTRUCTION FOR

## TASK LAMP

Thank you purchasing this product .Please take time to identify the hardware as well as the individual components of the product. As you unpack and prepare for assembly, place the contents on a carpeted or padded area to protect them from damage. Please follow the assembly instructions closely. Improper assembly can result in personal or property damage.



### HARDWARE LIST

Label	Picture	Description	Qty
A		4W MAX type G LED bulb	1
B		Base	1

### IMPORTANT:

Always unplug the power before assembly or replacing bulb and before cleaning

### INSTALLATION :

1. Carefully unpack all fixture parts and hardware. Lay items out on a clear workspace.
2. Insert 1 bulb into each socket . The is rated for 9w Led type A included.

**DO NOT EXCEED RECOMMENDED WATTAGE !**

3. Plug cord into wall outlet. Dimmer switch on base.

Please clean with a soft, dry cloth ONLY!  
Do not use cleansers.