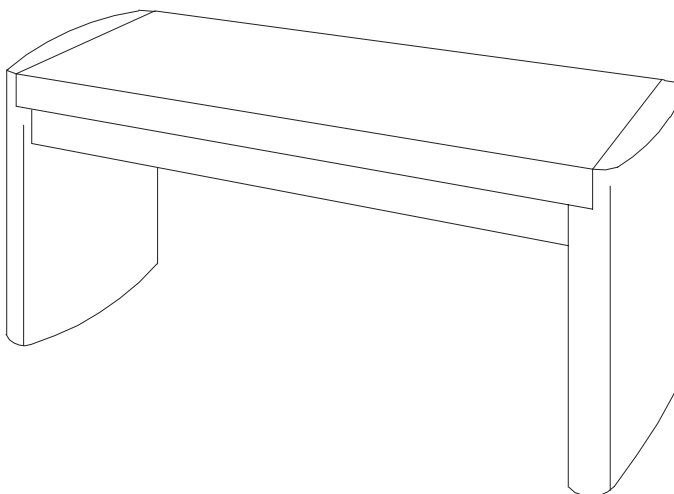


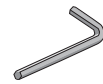
ASSEMBLY INSTRUCTIONS

BENCH

TOOLS REQUIRED



Screwdriver
(Not Included)



Allen Wrench
(Included)



Mallet
(Not Included)



Household Wrench
(Not Included)

Enjoy this product? We'd love your 5-star review!
If you have any issues, our support team is happy to help.



CHECK BEFORE STARTING

Are you missing anything?

Please double check all hardware and parts match the assembly guide before putting the product together. If damaged, we suggest you put the item back in the box and start your claim or return.

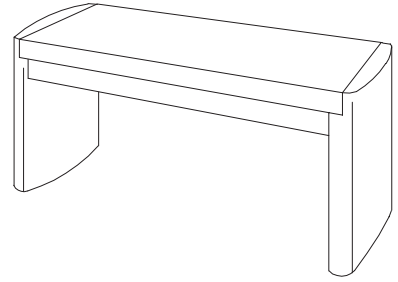
Should we send any replacements?

If there are any manufacturer defects or missing pieces, please contact us for replacements. If purchased online, please contact the website of where you purchase it from, DIRECTLY.

IMPORTANT INFO before assembly:

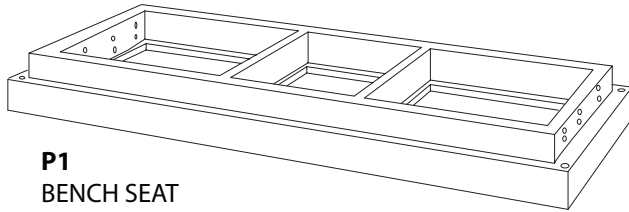
- If there's a problem with the parts do not attempt to assemble the product.
- Place all parts on a clean and smooth surface such as a rug / carpet to avoid parts from being scratched.
- When tightening screws to product do not overtighten until product is fully setup.
- If product is too heavy for a single person to carry do not attempt and ask for assistance.
- DO NOT DRAG or PUSH item to desired location. Must be carried when moving.
- If item is not working as intended, please review the assembly guide to see if any steps were missed or incorrectly built. If there's a problem with part, please contact seller for additional assistance.
- Please keep all hardware and small parts away from pets / infants.
- Please wear gloves or protective gear to protect from getting cuts.
- It is normal for new furniture to have an off gassing smell. Please air out furniture near a window for a few hours or a day before placing it in its desired location.
- All products may have a slight color and texture variation due to different shipments, natural materials, screen resolutions, or lighting in home. Images are rendered by different devices or websites.

- Please keep instructions for future reference.
- Check the quantity and irregularity of parts and hardware before you start.
- If assembly guide is misplaced, please visit our website for copy

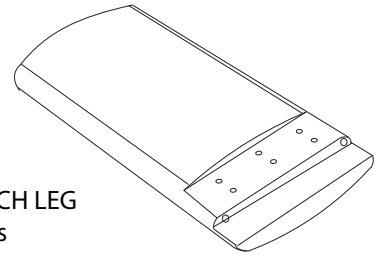


BENCH

Part List



P1
BENCH SEAT
1 pc



P3
BENCH LEG
2 pcs

Hardware List



H1
JCBC Bolt
M6 x 50mm
12 pcs



H2
Spring Washer
M6 x 12mm
12 pcs



H3
Flat Washer
M7x 19mm
12 pcs



H4
Wooden Dowel
M8 x 30mm
4 pcs



H5
Adjustable
Leg Glide
4 pcs




H6
Allen Wrench
1 pc

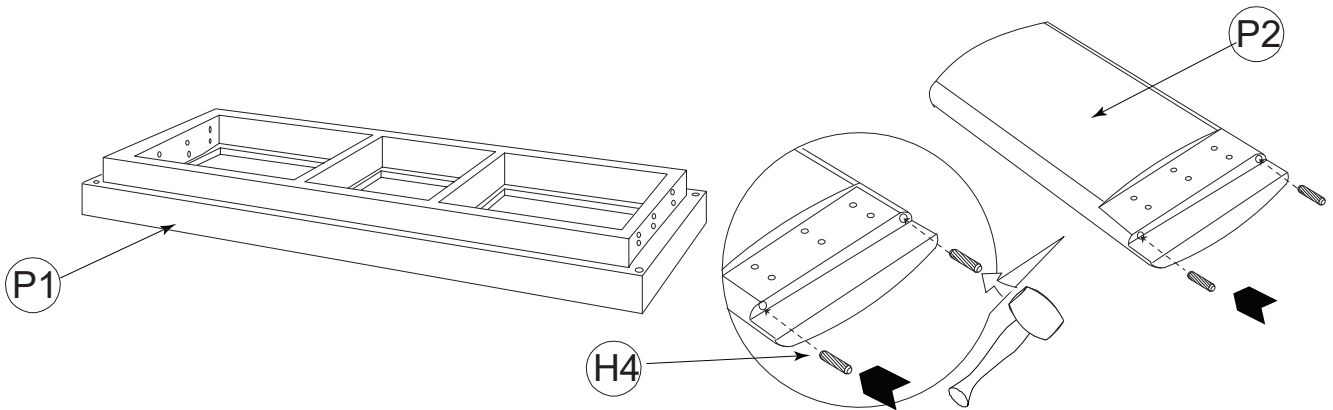
If any parts/hardware listed are damaged or missing,
Please contact the seller for additional assistance

ASSEMBLY STEPS




STEP 1

H4 x 4 
M8 x 30mm

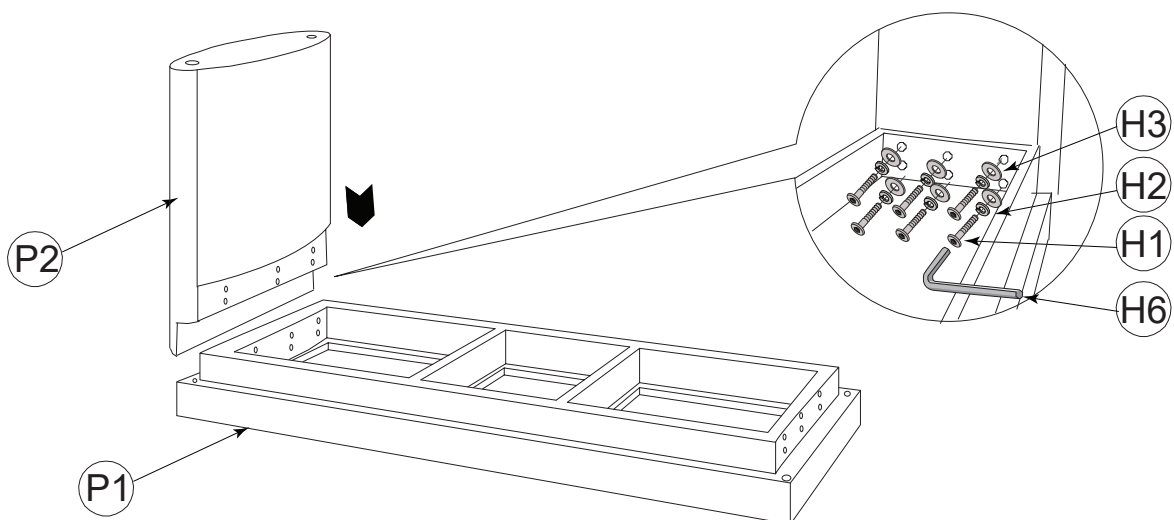
While preparing the bench Seat (P1) by placing it upside-down on a flat, soft & clean surface. Get all the Bench leg (P2) to insert the Wooden dowel (H4) into the designated holes at the Legs, until the dowels snug in each hole.



STEP 2

H1 x 6 
M6 x 50mm
H2 x 6 
H3 x 6 

Assemble the Table legs (P2) one by one by attaching them to the connecting blocks in the Bench Seat, and make sure the locating wooden dowels in the legs are snug into the hole in the bench seat. Then, Align Bolt (H1) fitted with a Spring Washer (H2) & a Flat Washer (H3) through the holes in the connecting blocks, respectively. Tighten the bolts using the Allen Key (H6).



IMPORTANT!




Please keep Allen wrench in a safe place as you may need to tighten up the Bolts in future.

Use a soft cloth between these parts and the floor.

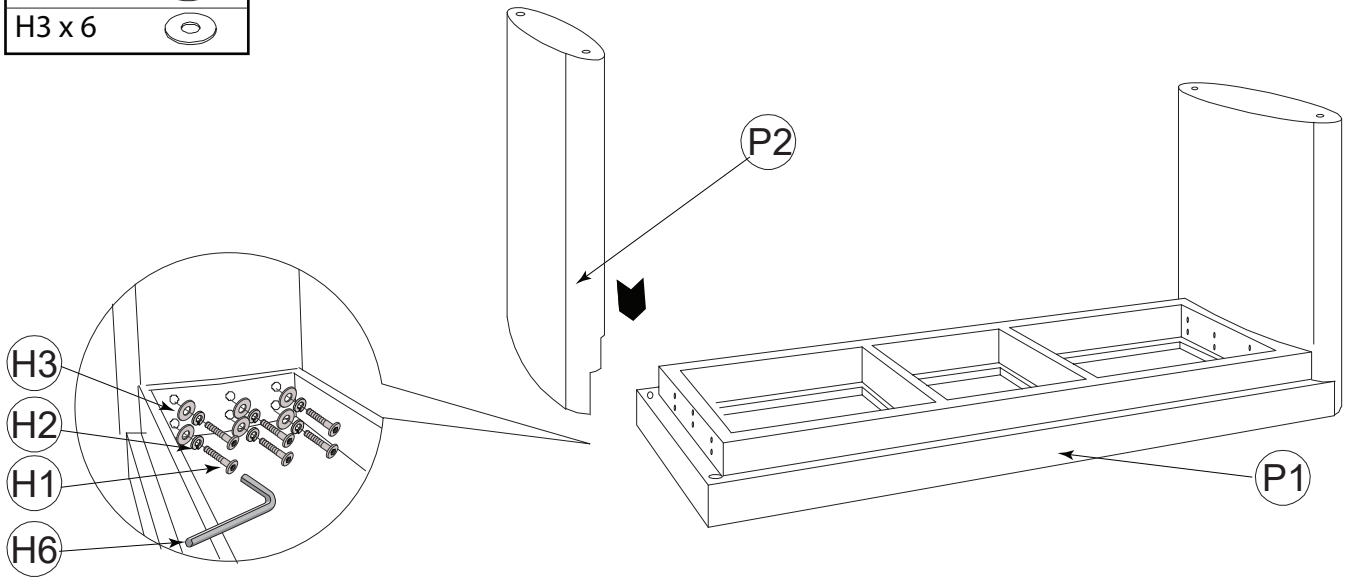
After assembly, item must be level to work properly.

ASSEMBLY STEPS

STEP 3

H1 x 6	
M6 x 50mm	
H2 x 6	
H3 x 6	

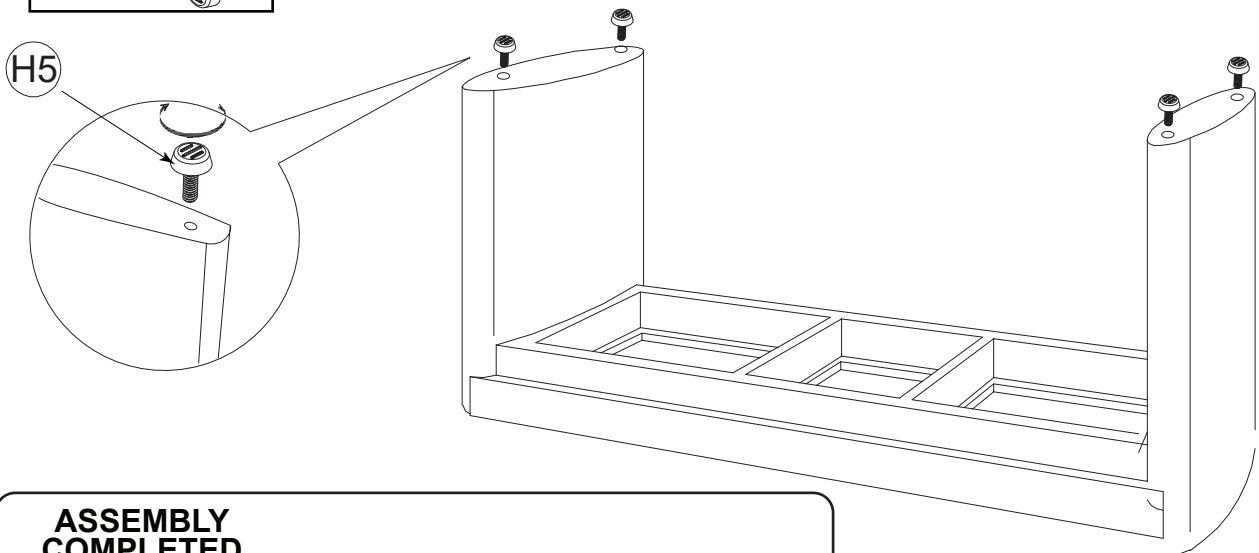
Assemble the other side of Bench leg (P2) by attaching it to the apron in the Bench Seat, and make sure the locating wooden dowels in the bench leg are snug in the holes at the bench seat. Then, Align Bolt (H1) fitted with a Spring Washer (H2) & a Flat Washer (H3) through the holes in the connecting blocks, respectively. Tighten the bolts using the Allen Key (H6).



STEP 4

H5 x 4	
--------	---

Align the Leg Glide (H5) into nuts in the Table Leg Base.



ASSEMBLY COMPLETED

✓ Please ensure the furniture rests on an even and flat surface. If the product wobbles or feels loose, double-check all bolts and/or screws are properly tightened and secured.

✓ **Keep this handy!** Please retain this instruction manual and any order-related information for future reference.

✓ **Lift, don't drag!** To avoid damage to product, please always LIFT the product when transporting or adjusting the placement.

This product is intended for **RESIDENTIAL USE ONLY** and not for commercial use.