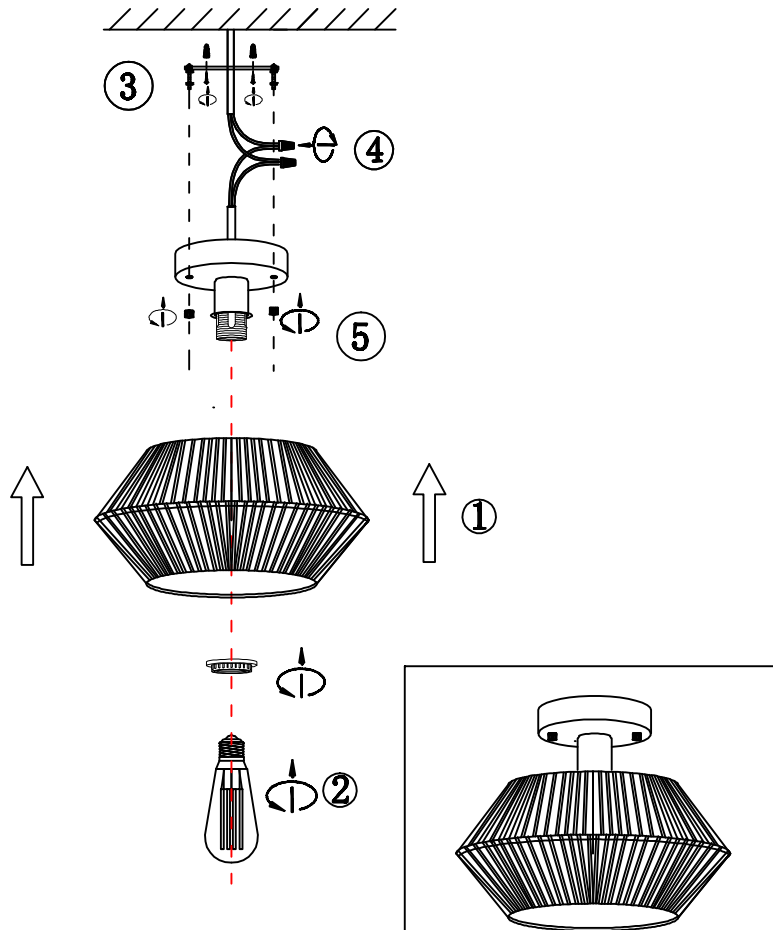


Installation diagram

Black wire(or brown wire) :connect with fire wire (L)
White wire(or blue wire) :connect with neutral wire(N)



Installation steps

Firstly, open the outer box, find all kinds of accessories, and carefully place them on a clean platform to prevent abrasion and collision of the lamp body.

1: Put the decorative lampshade on the head of the lamp, use the outer ring on the head of the lamp to lock the fixation

2: Install the light bulb

3: Remove the hanging board and fix it in the position to be installed with gecko nail and expansion screw

4: Connect the light line to the power line. Please turn off the power first. And connect with the correct polarity.

5: Screw on the nut to fix the suction top plate