

# ASSEMBLY INSTRUCTIONS

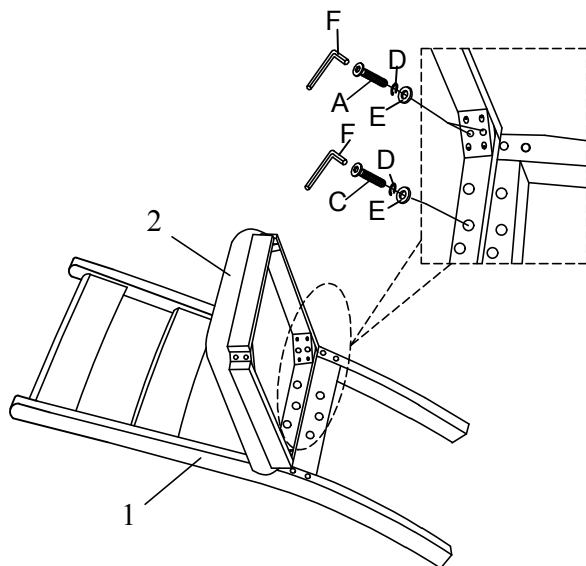
**Important note :**

- Place all wooden parts on a clean and smooth surface such as a rug or carpet to avoid scratching the parts.
- Kindly follow the assembly instructions step by step.
- Do not tighten all screws and bolts until the chair is fully assembled.

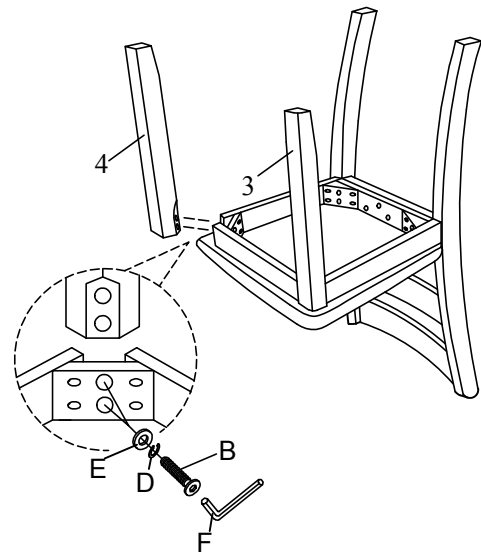
NO	COMPONENT	QTY
1	Chair Back	1
2	Seat Frame	1
3	Left Front Leg	1
4	Right Front Leg	1

NO	HARDWARE	QTY
A	BOLT (LONG)	4
B	BOLT (MEDIUM)	4
C	BOLT (SHORT)	3
D	SPRING WASHER	11
E	FLAT WASHER	11
F	ALLEN KEY	1

## STEP 1



## STEP 2



## STEP 3

