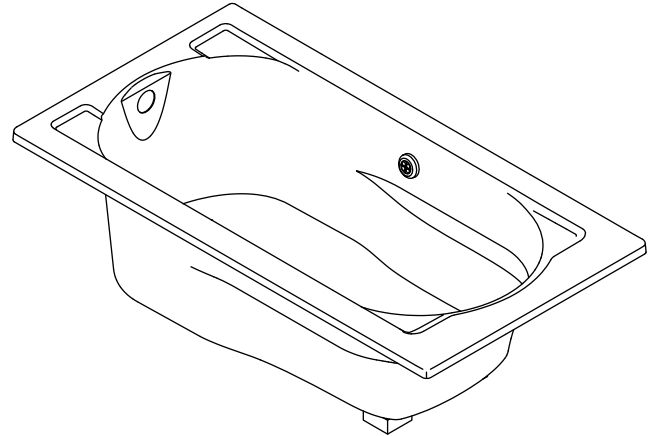


Features

- Acrylic
- Drop-in installation
- Armrests
- Bask heated lumbar support with three temperature settings
- Textured bottom surface
- 60" (1524 mm) x 32" (813 mm) x 20" (508 mm)

DROP-IN BATH WITH BASK™ HEATED SURFACE K-1184-W1



Codes/Standards Applicable

Specified model meets or exceeds the following:

- CSA B45.5/IAPMO Z124
- ASTM E162
- ASTM E662
- UL 1795

Colors/Finishes

- 0: White
- Other: Refer to Price Book for additional colors/finishes

Accessories

- CP: Polished Chrome
- PB: Vibrant® Polished Brass
- Other: Refer to Price Book for additional colors/finishes

Specified Model

Model	Description	Colors/Finishes		
K-1184-W1	Drop-in bath with Bask heated surface	<input type="checkbox"/> 0	<input type="checkbox"/> Other_____	
Recommended Accessories				
K-7161-AF	Pop-up drain – above-the-floor installation OR	<input type="checkbox"/> CP	<input type="checkbox"/> PB	<input type="checkbox"/> Other_____
K-7213	Cable drain with PVC tee and pipe OR	<input type="checkbox"/> CP	<input type="checkbox"/> PB	<input type="checkbox"/> Other_____
K-7214	Cable drain without PVC tee and pipe OR	<input type="checkbox"/> CP	<input type="checkbox"/> PB	<input type="checkbox"/> Other_____
K-7259	Toe-tap drain	<input type="checkbox"/> CP		<input type="checkbox"/> Other_____
Optional Accessories				
K-1491	Bath pillow	<input type="checkbox"/> 0	<input type="checkbox"/> Other_____	
K-1601	Bath footstop	<input type="checkbox"/> 0	<input type="checkbox"/> Other_____	

Product Specification

The acrylic bath shall be 60" (1524 mm) in length, 32" (813 mm) in width, and 20" (508 mm) in height. Bath shall be for drop-in installation. Bath shall feature Bask heated lumbar support with three temperature settings. Bath shall have armrests and features a textured bottom surface. Bath shall be Kohler Model K-1184-W1-_____.

DEVONSHIRE®

Technical Information

Fixture*:				
Bathing well:				
Basin area, bottom	42" (1067 mm) x 20" (508 mm)			
Basin area, top	51" (1295 mm) x 24" (610 mm)			
Weight	80 lbs (36.3 kg)			
To overflow:				
Water depth	14" (356 mm)			
Capacity	60 gal (277.1 L)			
* Approximate measurements for comparison only.				
Heater:	W	V	HZ	A
	65	120	60	.5

Installation Notes

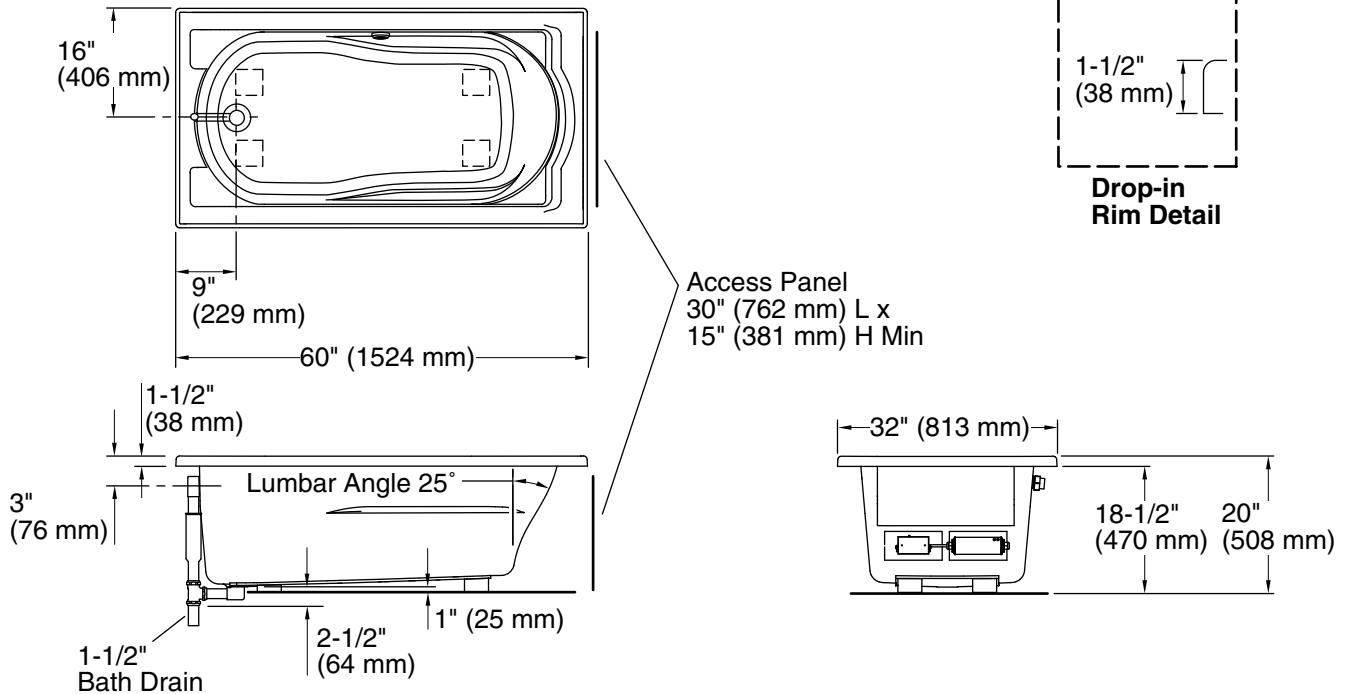
Install this product according to the installation guide.

Locate a GFCI-protected 120 V, 15 A, grounded electrical outlet within 24" (610 mm) of the bath junction box.

40" (1016 mm) cable is included.

Floor support under the bath must provide for a minimum of 41 lbs/square foot (202 kg/square meter) loading.

No change in measurements if connected with drain illustrated. (K-7161-AF)



Product Diagram