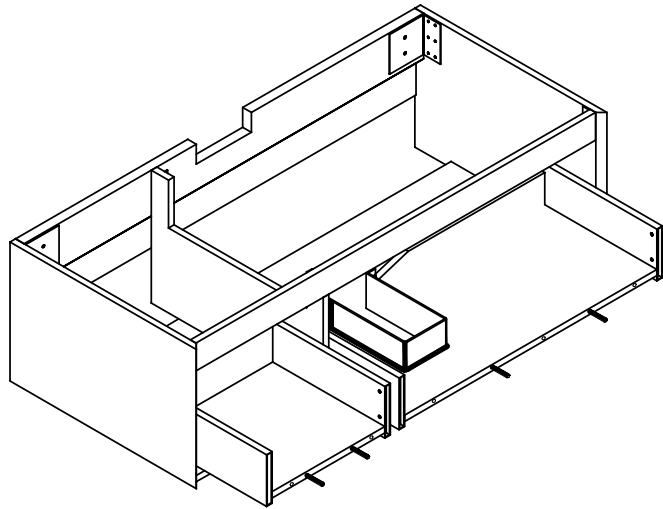
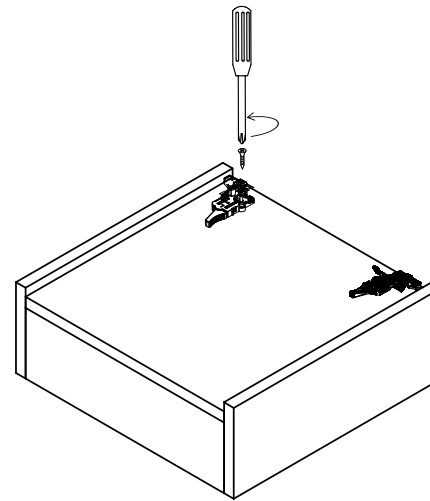


Installation & Assembly

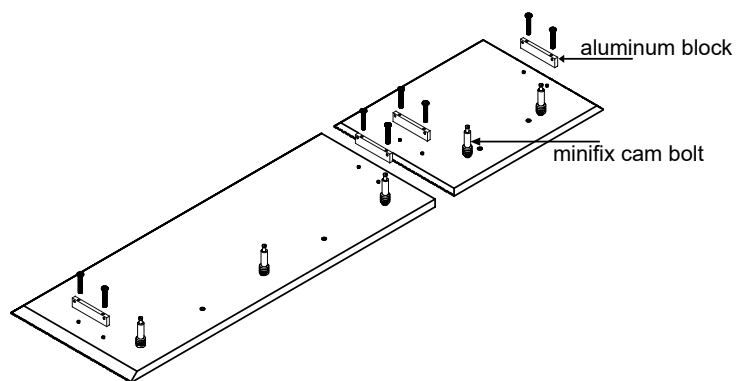


1. Pull out the drawer and loosen the bottom screws to remove the drawer

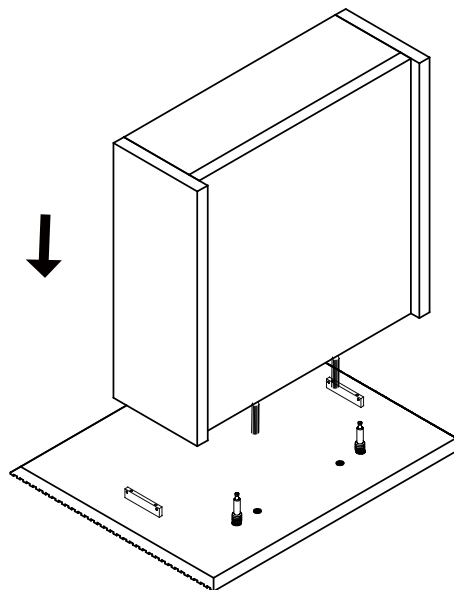


2. Loosen the screws to remove the left and right adjustment accessories

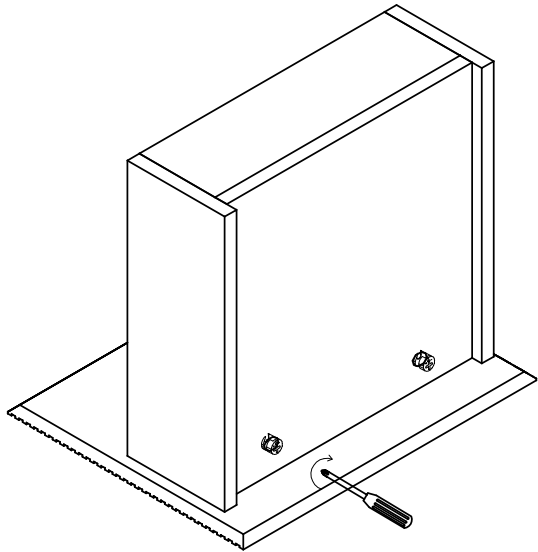
3. Install the minifix set and aluminum block



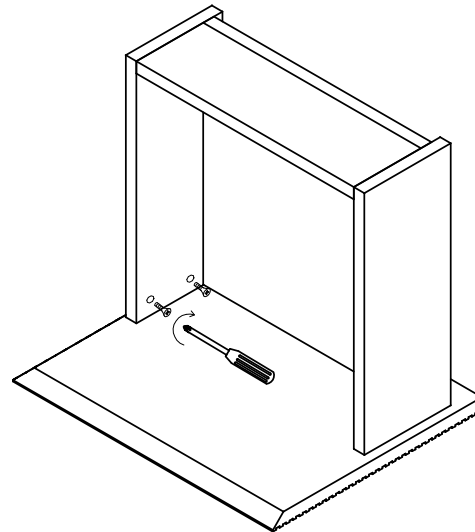
4. Connect the drawer to the panel



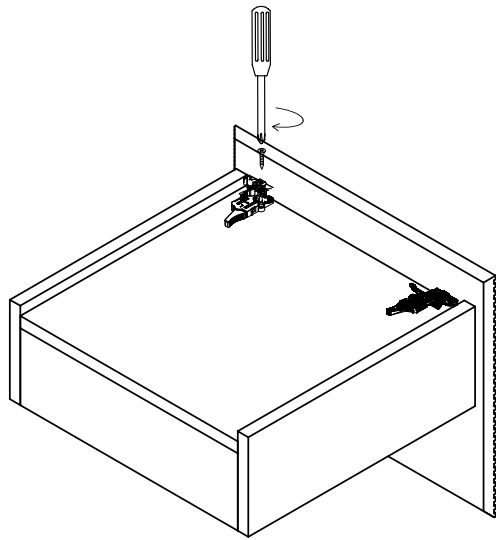
5. Tighten the locking screw



6. Tighten the screws on both sides



7. Put the previously removed left and right adjustment accessories back to their original positions



8. Put the drawer back into the cabinet and tighten the bottom screws

