




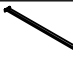







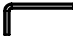
ASSEMBLY INSTRUCTION

Cambr i a bed

Components

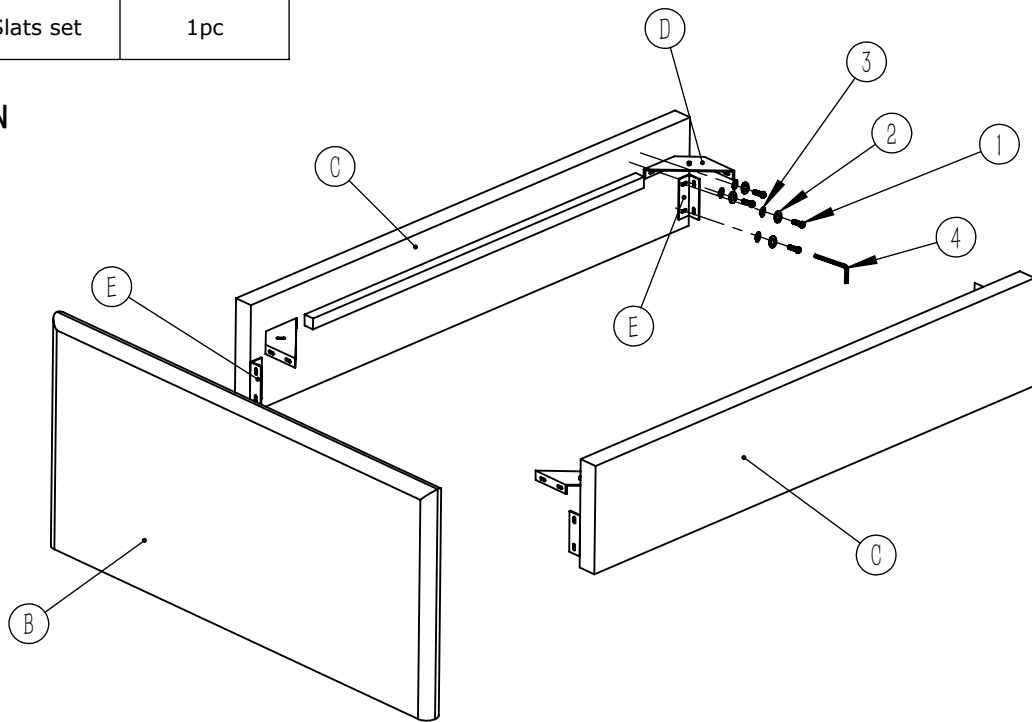
NO.	PICTURE	DESCRIPTION	QTY
A		Headboard	1pc
B		Footboard	1pc
C		Side rail	2pcs
D		Triangle connector	4pcs
E		L shaped connector	4pcs
F		Middle rail	1pc
G		Middle foot	2pcs
H		Slats set	1pc

Hardware

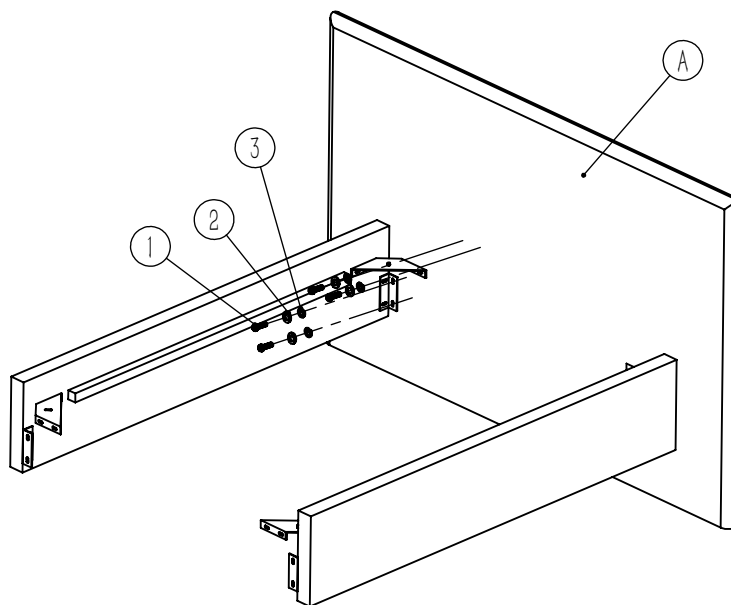
NO.	PICTURE	DESCRIPTION	SPEC	QTY
1		Screw	8X30mm	40pcs
2		Spring Washer	Ø8	40pcs
3		Flat Gasket	Ø8	40pcs
4		Allen Key	8mm	1pc

ASSEMBLY INSTRUCTION

Step1



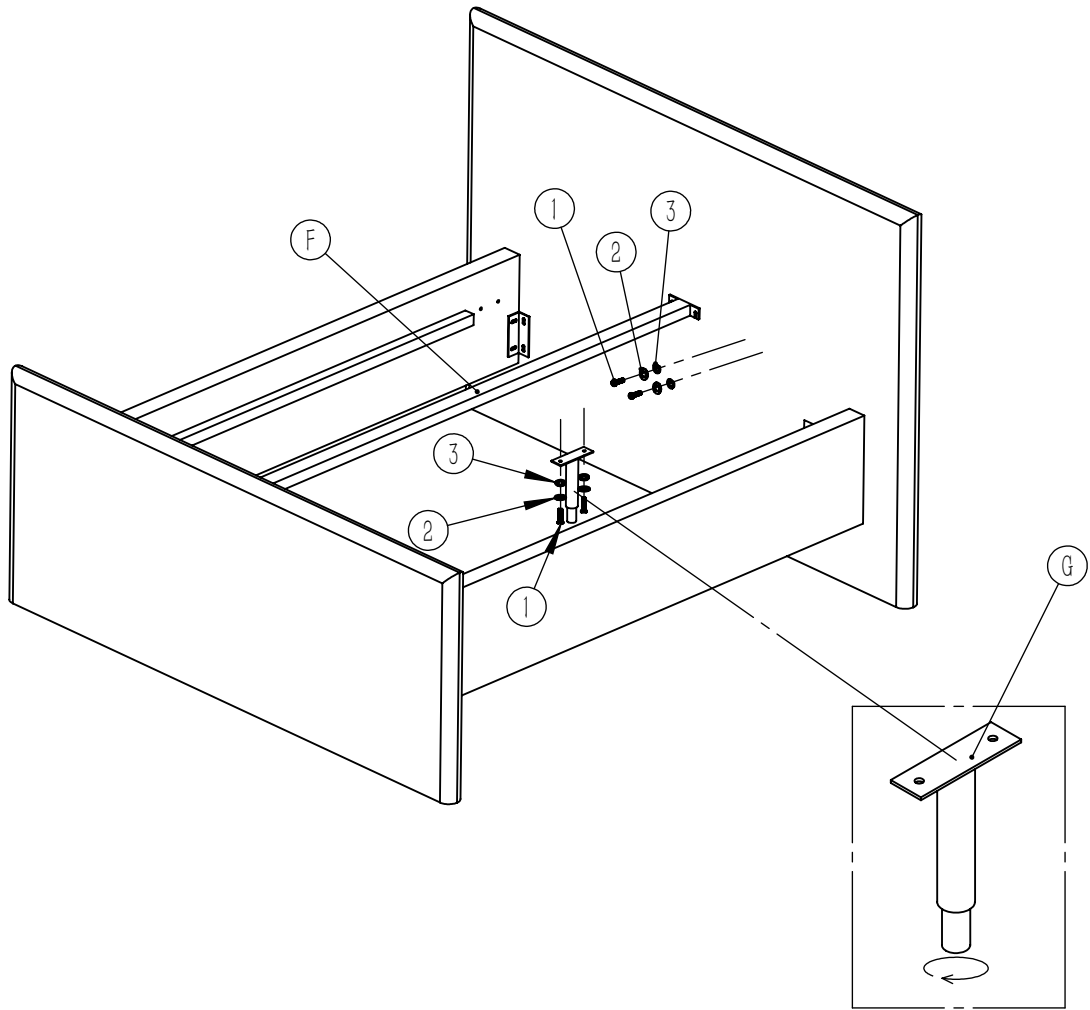
Step2



ASSEMBLY INSTRUCTION

Cambria bed

Step3



Step4

