

ASSEMBLY INSTRUCTIONS

093-925

TOOLS REQUIRED:

Allen Wrench (Provided, Part E)

BEFORE YOU START:

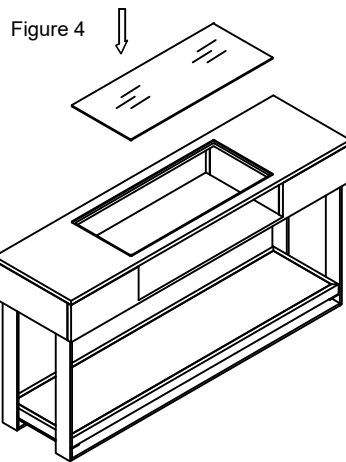
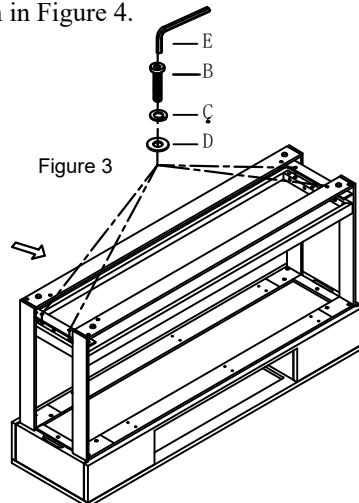
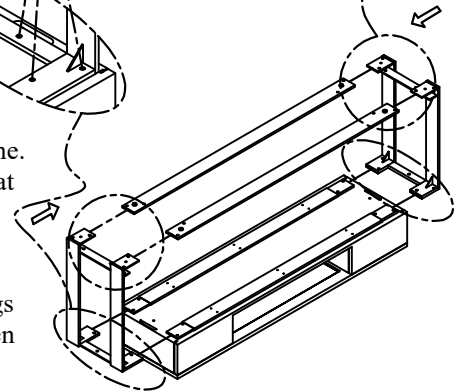
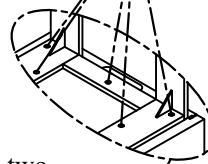
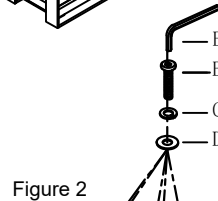
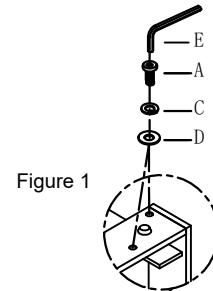
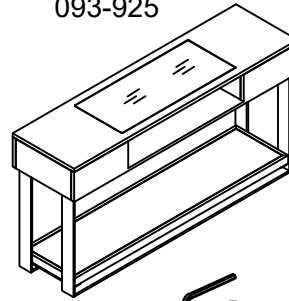
1. Check the hardware against the hardware list to make sure all items are present.
2. Assemble your furniture on a soft, flat surface to avoid scratching the finish.
3. **CAUTION:** Do not over tighten screws, nuts or bolts during assembly.
4. Your furniture may require occasional tightening.



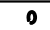
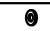

INSTRUCTIONS:

Step 1. Turn the top upside down on to a clean soft surface. Place two support leg frames to make the holes are aligned with the hole on top frame. Place two bottom stretchers to the leg frames. Tighten Bolt (A/B) with Flat Washer (D)+Lock Washer (C) by Allen Wrench (E) as shown in Figure 1 & 2.

Step 2. Place the bottom shelf to make the holes align with the hole on legs and tighten with Bolt (B) with Flat Washer (D)+Lock Washer (C) by Allen Wrench (E) as shown in Figure 3.

Step 3. Tighten all bolts before setting table back upright. Place the glass on the top of frame as shown in Figure 4.



HARDWARE LIST			
A		Short Bolt (Ø1/4"x3/8")	8pcs
B		Long Bolt (Ø1/4"x1")	14pcs
C		Lock Washer (Ø1/4")	22pcs
D		Flat Washer (Ø1/4"*16*1.5mm)	22pcs
E		Allen Wrench (100*50*4mm)	1pc