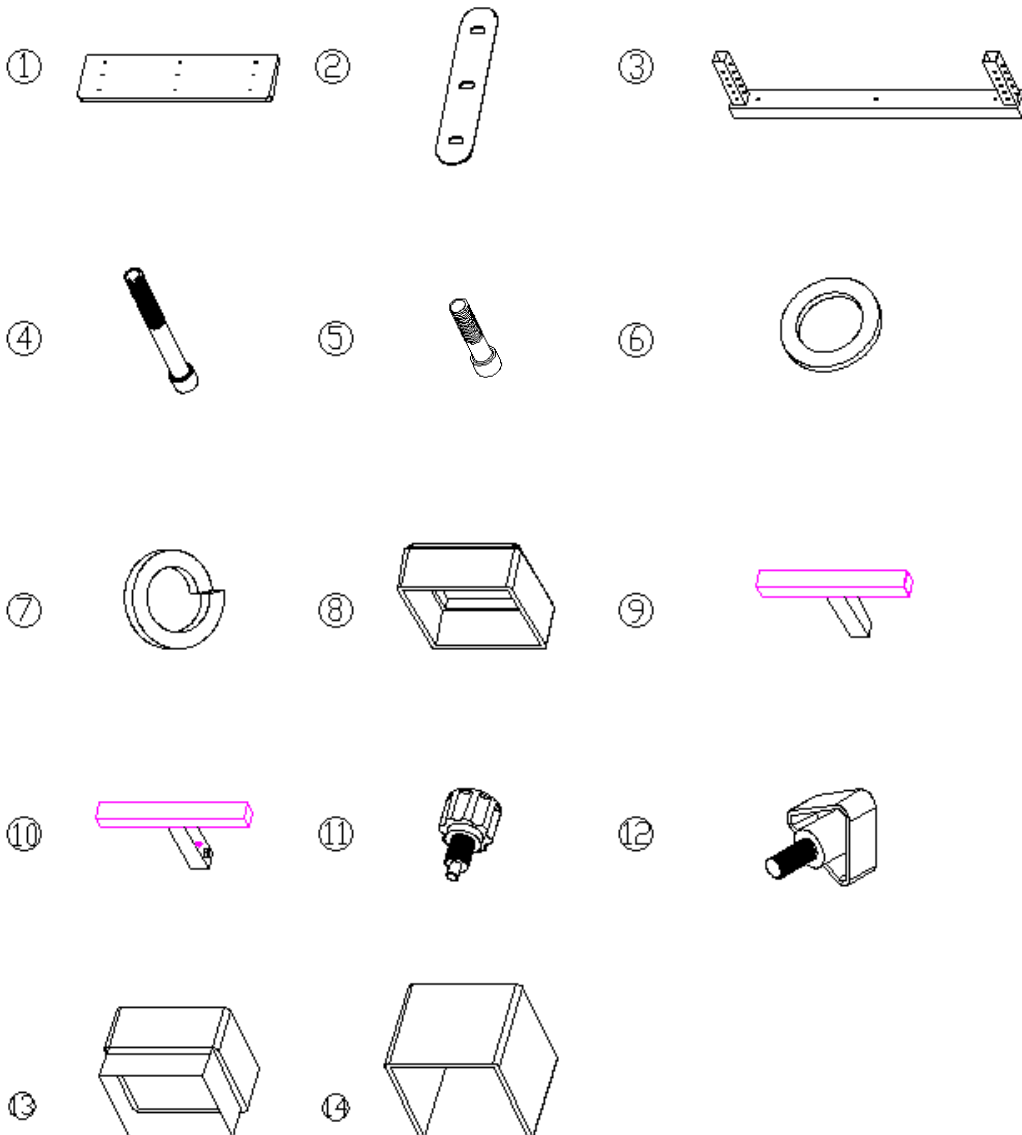
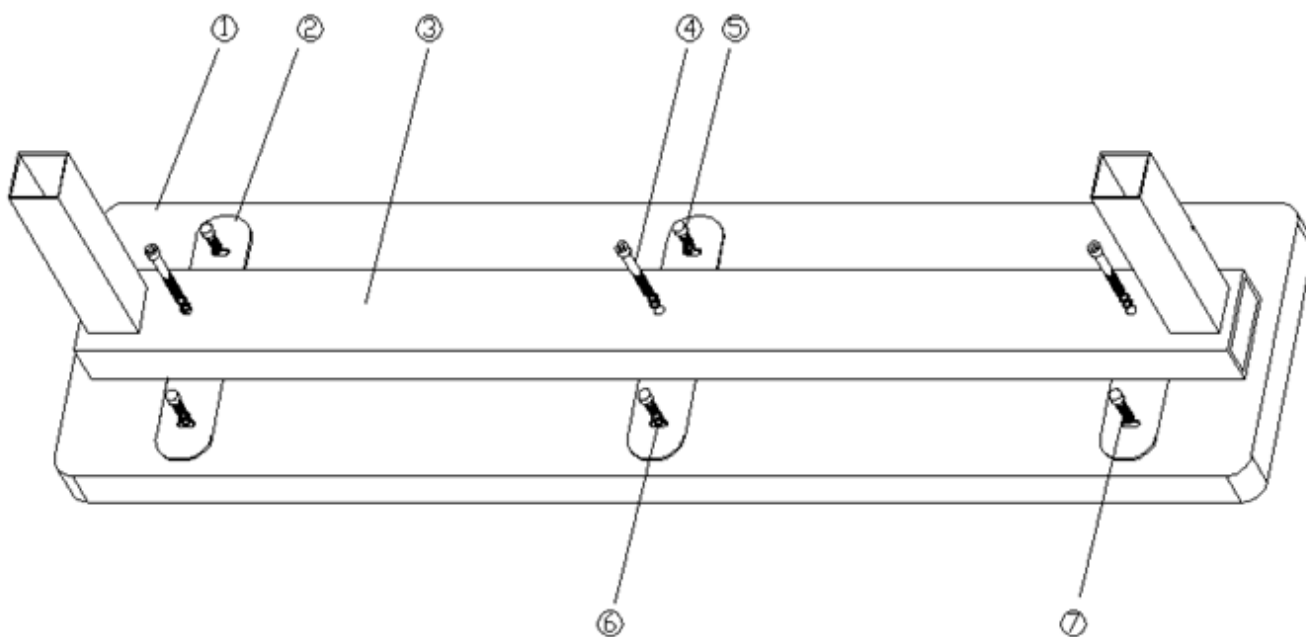


# Instruction manual

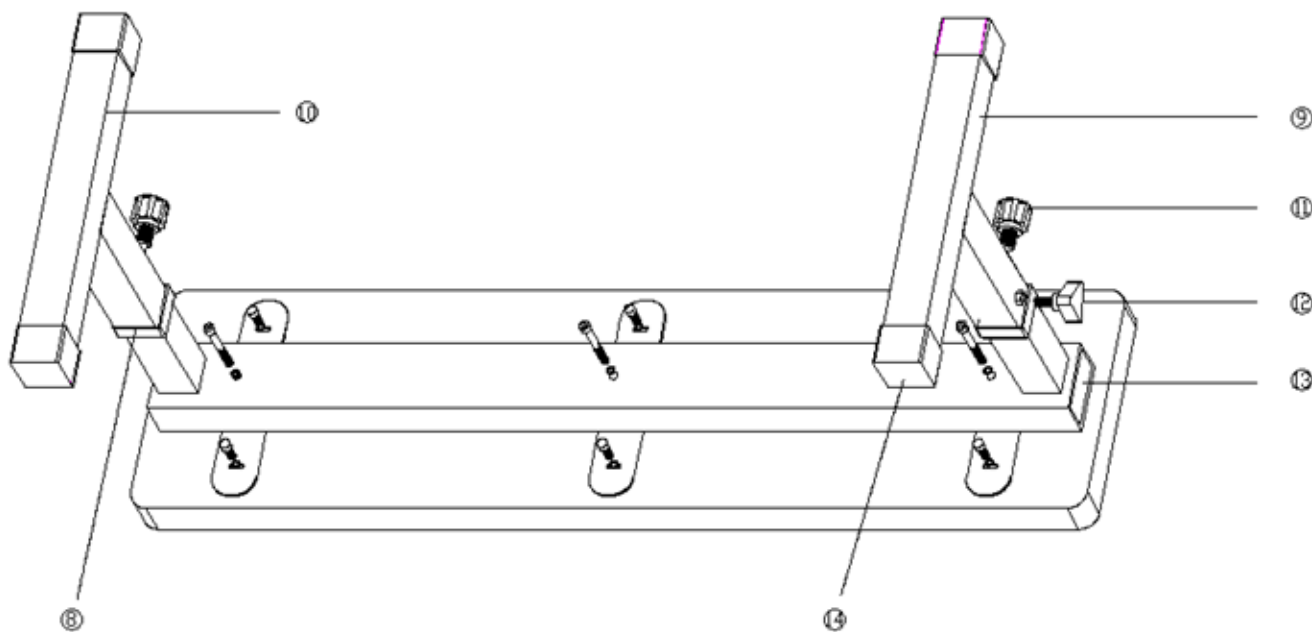
	PART NAME	QTY
1	Board	1
2	Connection plate	3
3	Main frame	1
4	bolts	3
5	bolts	6
6	washers	9
7	Spring washer	9
8	Plastic sleeve	2
9	T Leg left	1
10	T Leg Right	1
11	Pull pin	2
12	Screw net	2
13	Plastic sleeve	2
14	Plastic sleeve	4



## Step 1:



## Step 2:



Stay away from kids, adults only.