

ASSEMBLY INSTRUCTIONS



OFFICE DESK

ASSEMBLY INSTRUCTIONS

ASSEMBLY TIPS:

1. Remove hardware from box and sort by size.
2. Please check to see that all hardware and parts are present prior to start of assembly.
3. Please follow attached instructions in the same sequence as numbered to assure fast & easy assembly.



WARNING!

1. Don't attempt to repair or modify parts that are broken or defective. Please contact the store immediately.
2. This product is for home use only and not intended for commercial establishments.



ASSEMBLY TIME

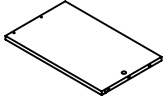
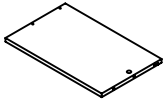
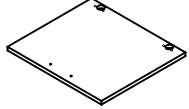
80 MINUTES

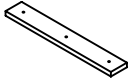
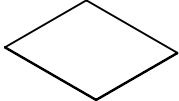
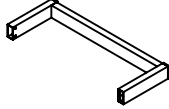
PARTS IDENTIFICATION

A	LEFT SIDE PANEL		1 PC	I	LARGE TOP PANEL		1 PC
B	LEFT DIVIDER PANEL		1 PC	J	SMALL DRAWER FRONT PANEL		1 PC
C	RIGHT DIVIDER PANEL		1 PC	K	SMALL DRAWER BACK PANEL		1 PC
D	RIGHT SIDE PANEL		1 PC	L	SMALL LEFT DRAWER SIDE PANEL		1 PC
E	BOTTOM PANEL		2 PCS	M	SMALL RIGHT DRAWER SIDE PANEL		1 PC
F	TOP PANEL		2 PCS	N	DRAWER BOTTOM PANEL		2 PCS
G	LEFT BACK PANEL		1 PC	O	LARGE DRAWER FRONT PANEL		1 PC
H	MIDDLE BACK PANEL		1 PC	P	LARGE DRAWER BACK PANEL		1 PC

NOTE:

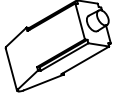

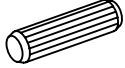









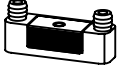
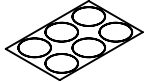
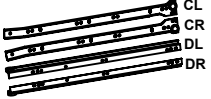
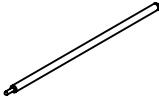

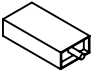
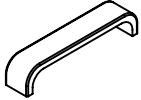
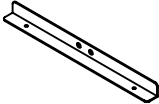

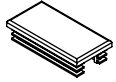
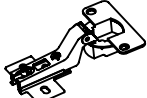
Phillips head screw driver is required in the assembly process; however, manufacturer does not provide this item.

Q	LARGE LEFT DRAWER SIDE PANEL		1 PC
R	LARGE RIGHT DRAWER SIDE PANEL		1 PC
S	DOOR		1 PC

T	CROSS BAR		2 PCS
U	RIGHT BACK PANEL		1 PC
V	FOOT		2 PCS

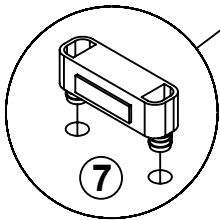
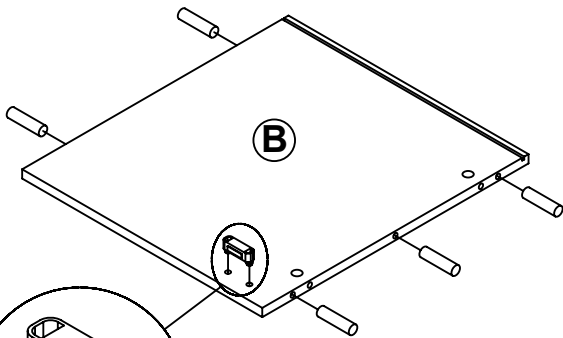
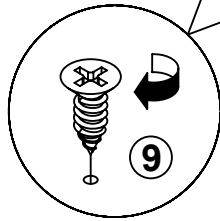
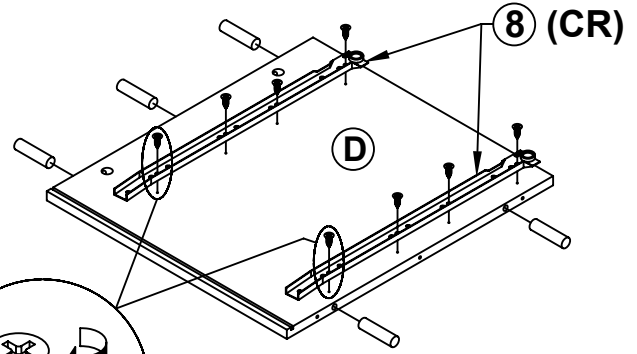
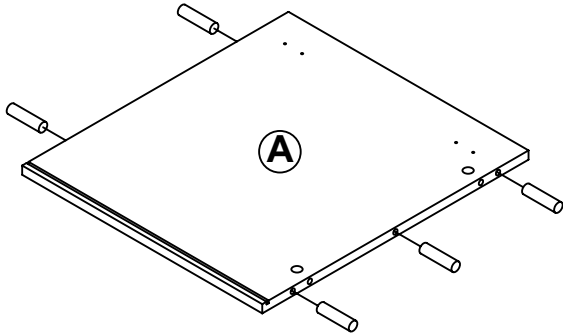
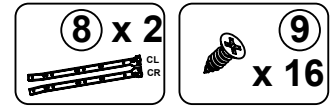
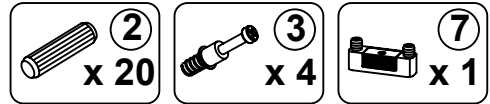
Z

HARDWARE IDENTIFICATION

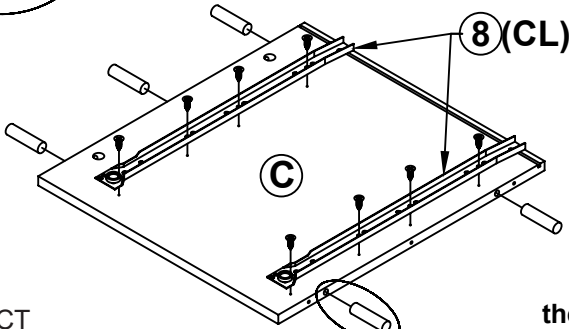
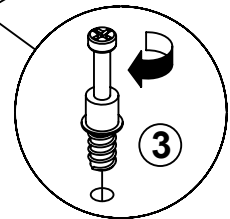
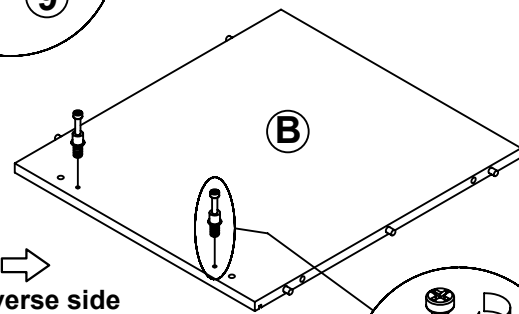
NO	DESCRIPTION	FIGURE	Q'TY		NO	DESCRIPTION	FIGURE	Q'TY
1	GLUE 40g		1 PC		13	HINGE SCREW (Ø 4x15mm SR)		8 PCS
2	WOODEN DOWEL Ø 8x30mm		30 PCS		14	LONG BOLT (M6x35mm SR)		6 PCS
3	CAM BOLT (Ø 7x35.5mm SR)		16 PCS		15	BOLT (M6x28mm SR)		4 PCS
4	CAM LOCK (Ø 15x12mm SR)		16 PCS		16	SHORT BOLT (M6x15mm SR)		4 PCS
5	LONG SCREW (Ø 4.5x42mm SR)		12 PCS		17	CROSS BAR SCREW (Ø 4x25mm RBW)		6 PCS
6	SCREW (Ø 4.3x35mm SR)		8 PCS		18	ALLEN WRENCH (4mm SR)		1 PC
7	DOOR CATCH		1 PC		19	STICKER Ø 20mm		3 PCS
8	GLIDES (L = 450mm WHT)		2 SET		20	IRON BAR (Ø 9.5x359mm SR)		2 PCS
9	SHORT SCREW (Ø 3x12mm SR)		28 PCS		21	IRON 80mm		4 PCS
10	HANDLE L=106mm		3 PCS		22	"L" SUPPORT IRON 300mm		2 PCS
11	HANDLE BOLT (Ø 4x23mm SR)		6 PCS		23	FLOOR PROTECTOR 40x20m		4 PCS
12	HINGE (Ø 26mm SR)		2 PCS					

Z8,Z10,Z12,Z20,Z21,Z22 not included in blister packaging.

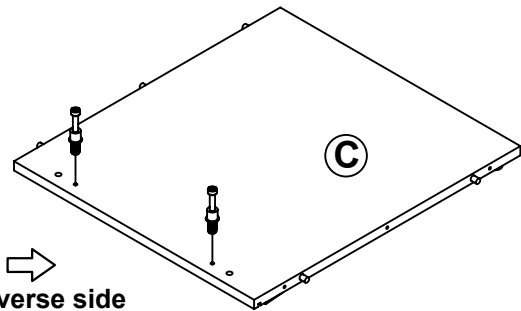
STEP 1



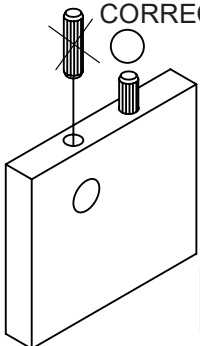
the reverse side



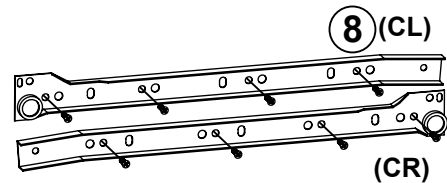
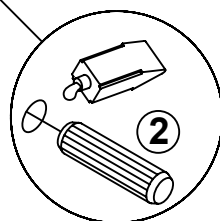
the reverse side



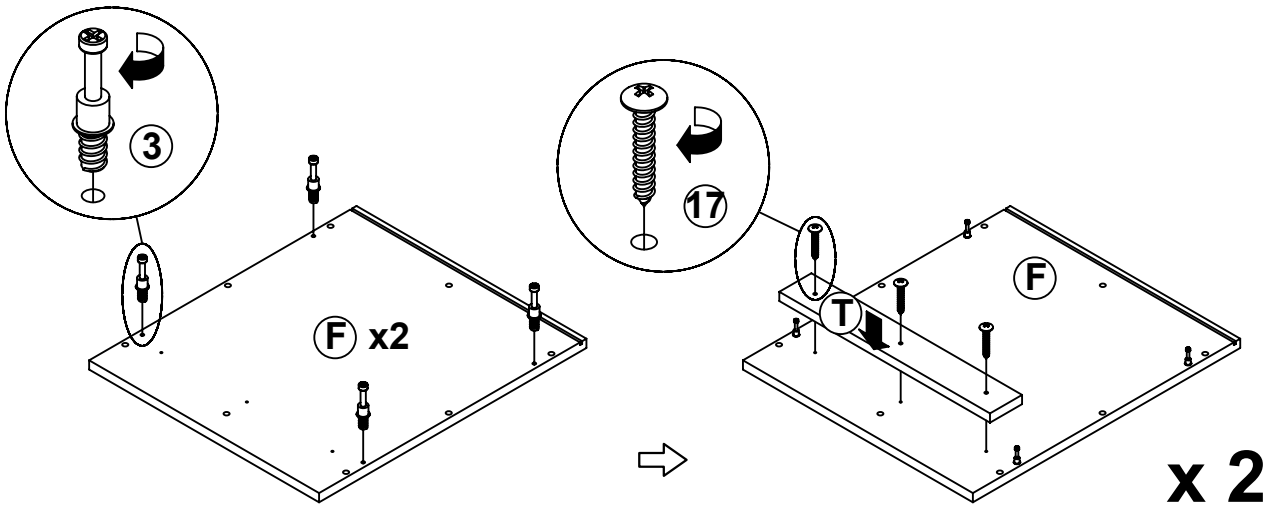
INCORRECT
CORRECT



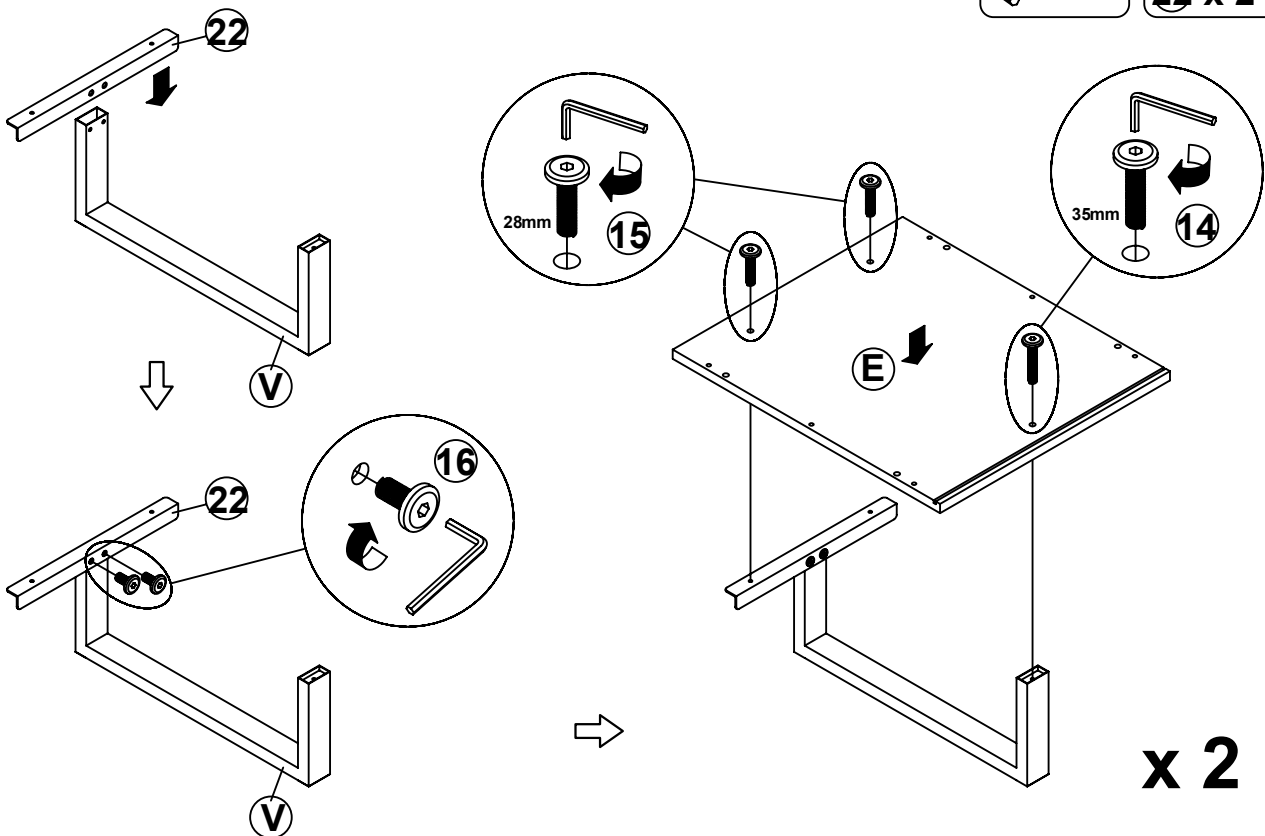
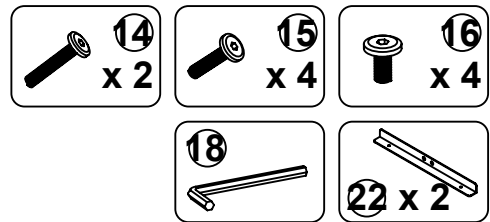
Apply glue on all wooden dowels to ensure integrity of the structure.



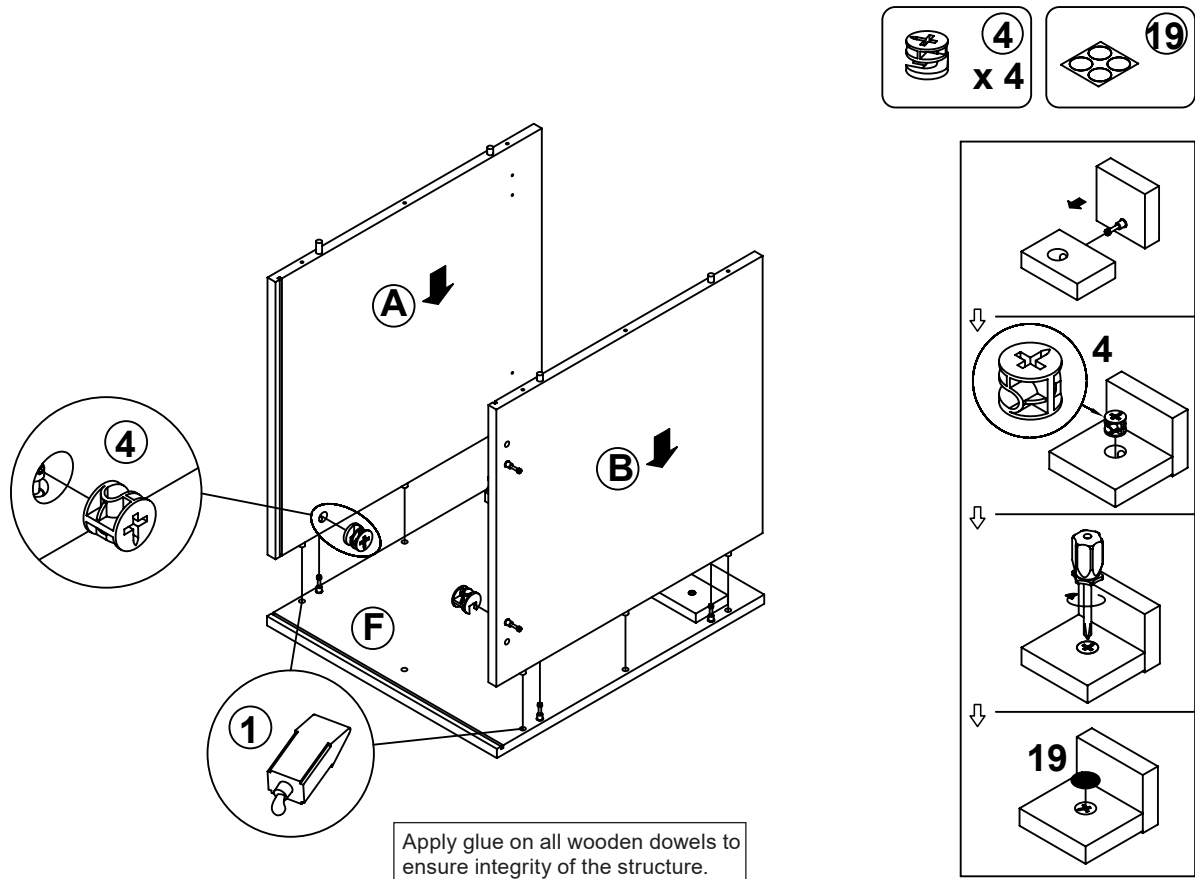
STEP 2



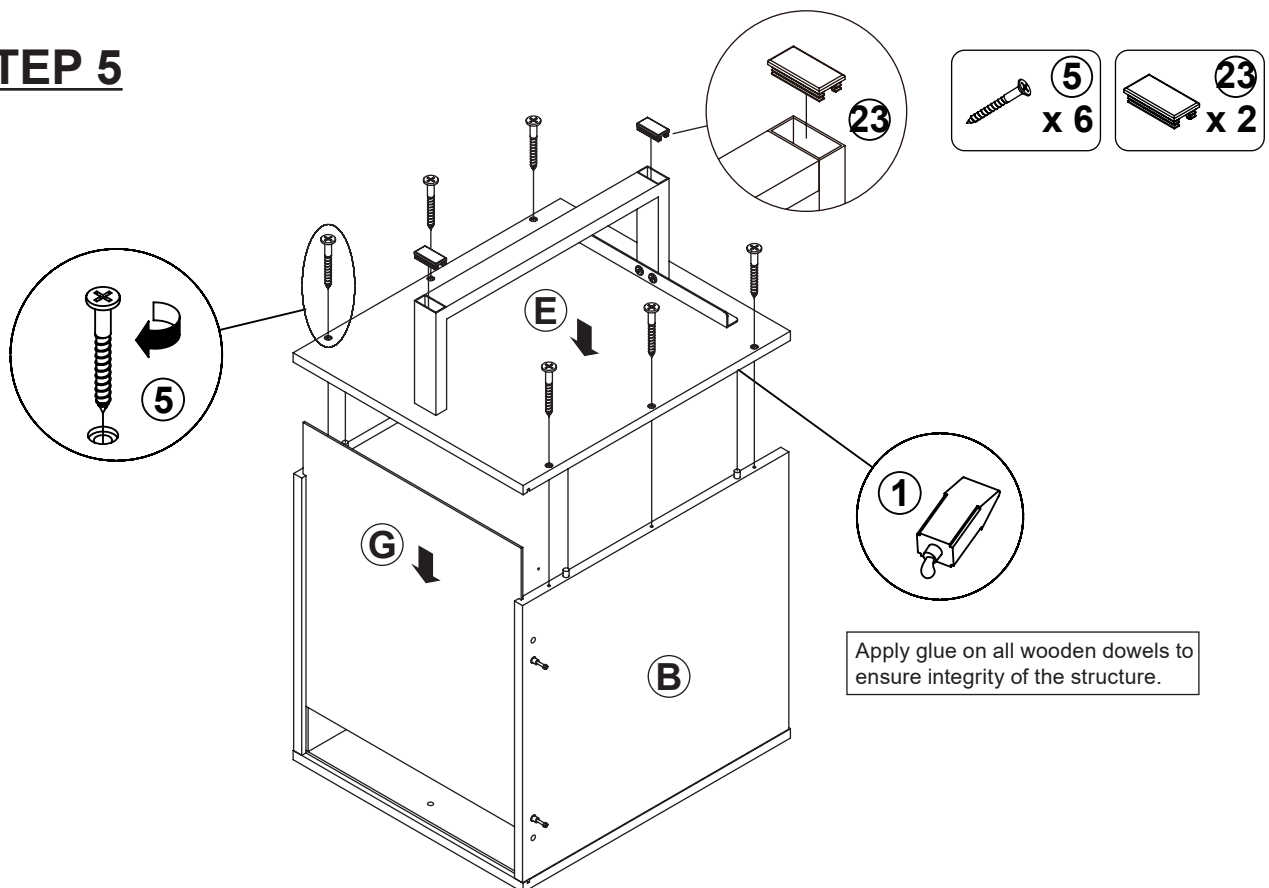
STEP 3



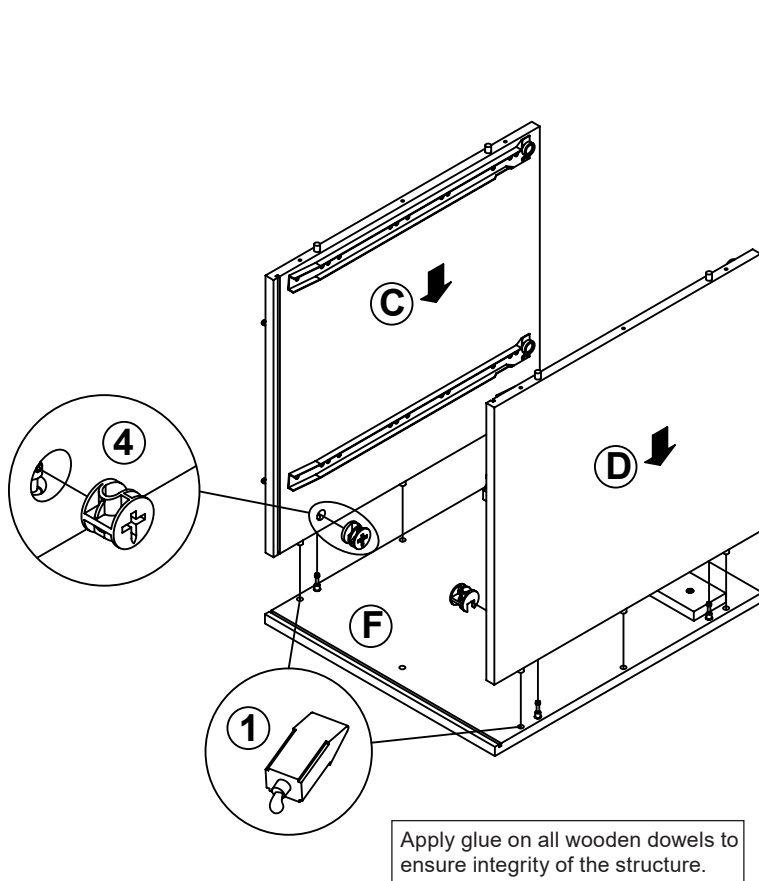
STEP 4



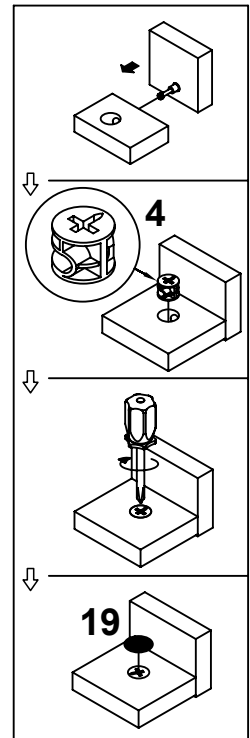
STEP 5



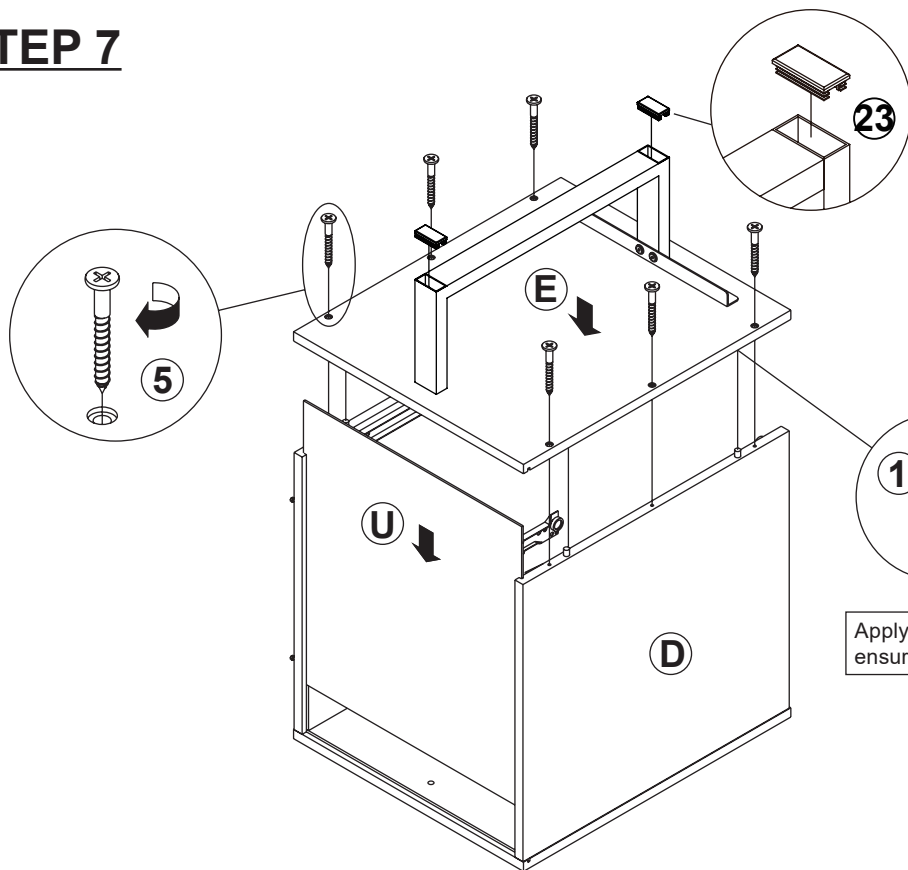
STEP 6



- 4 x 4
- 19

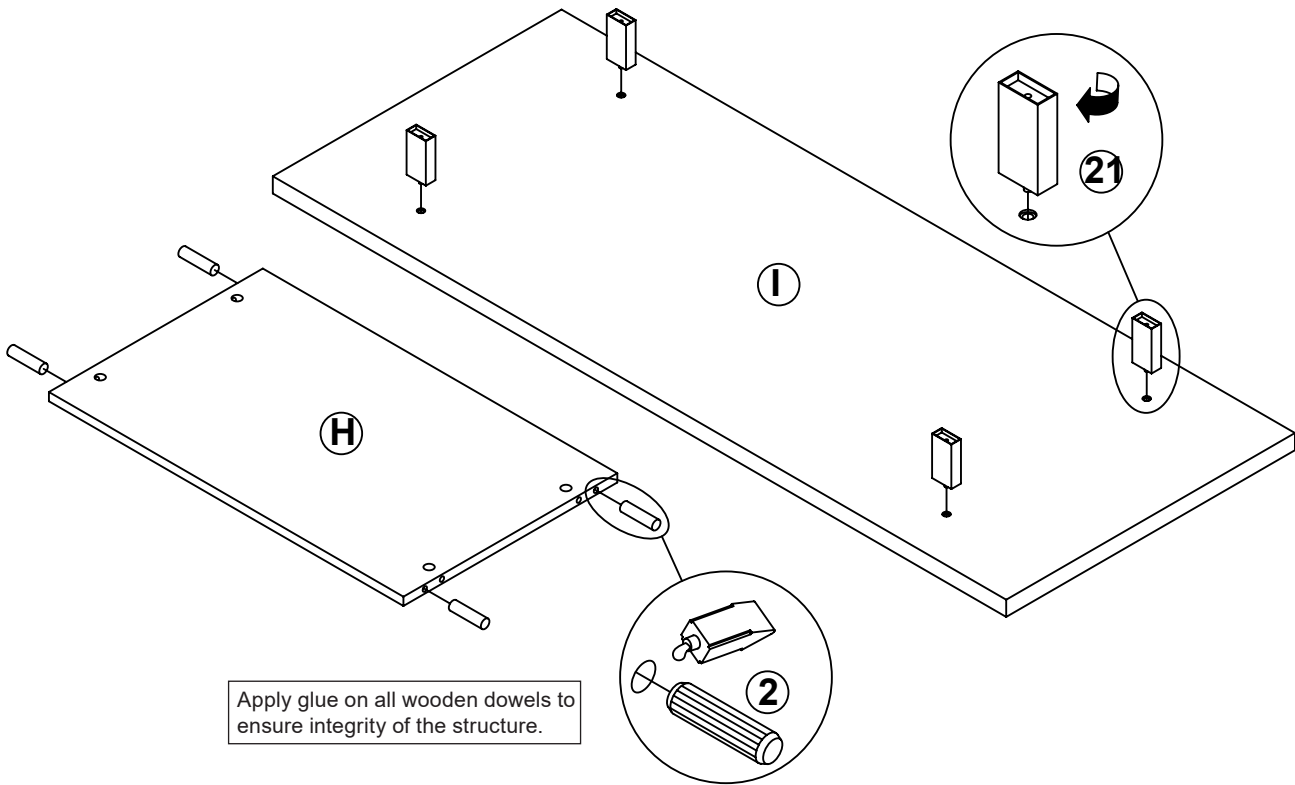
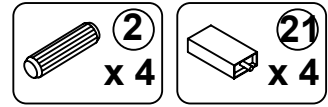


STEP 7

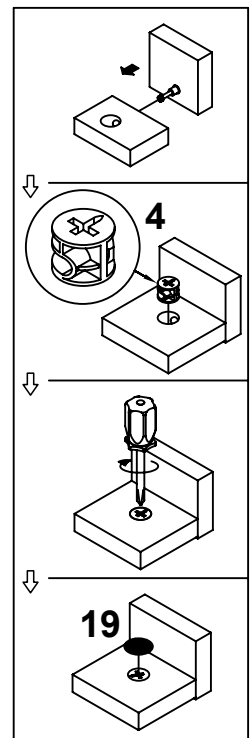
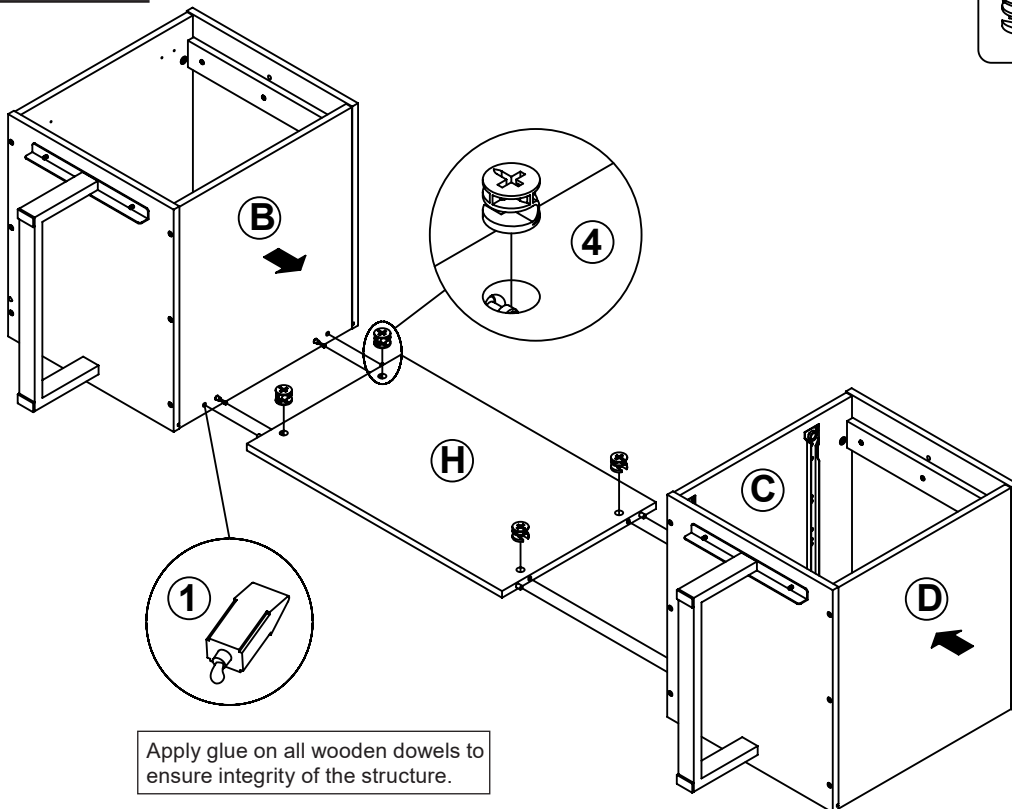
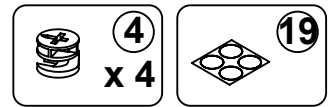


- 5 x 6
- 23 x 2

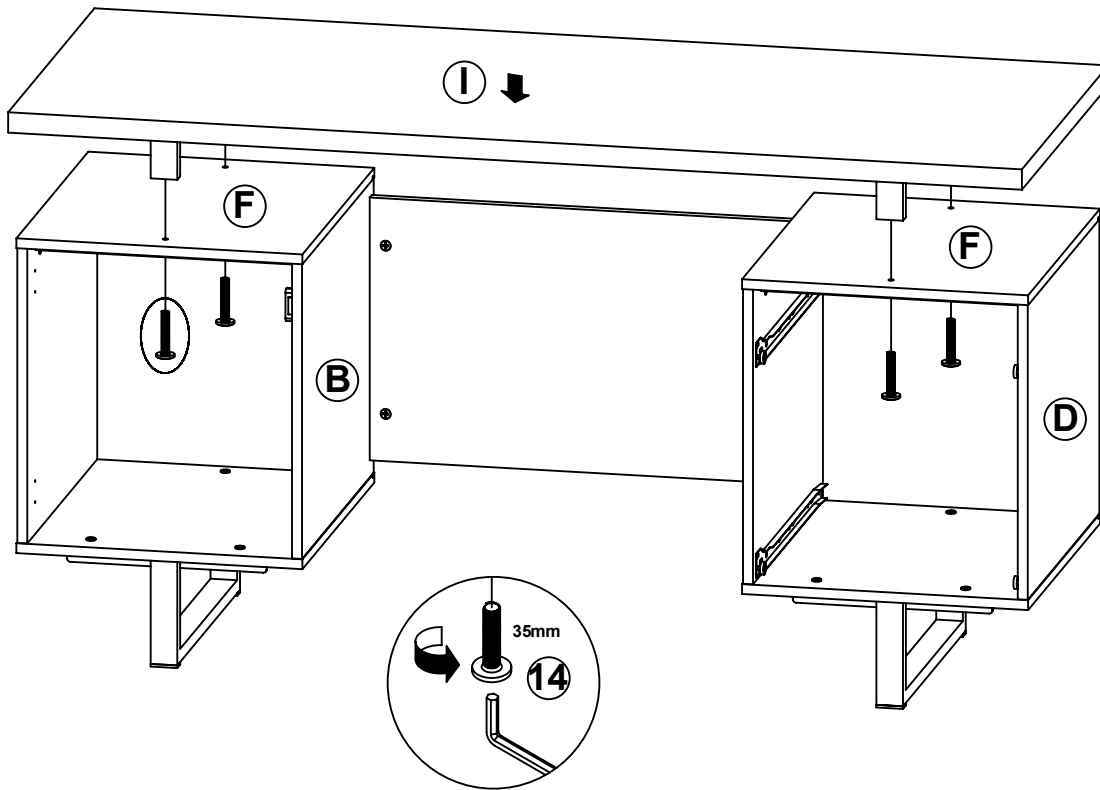
STEP 8



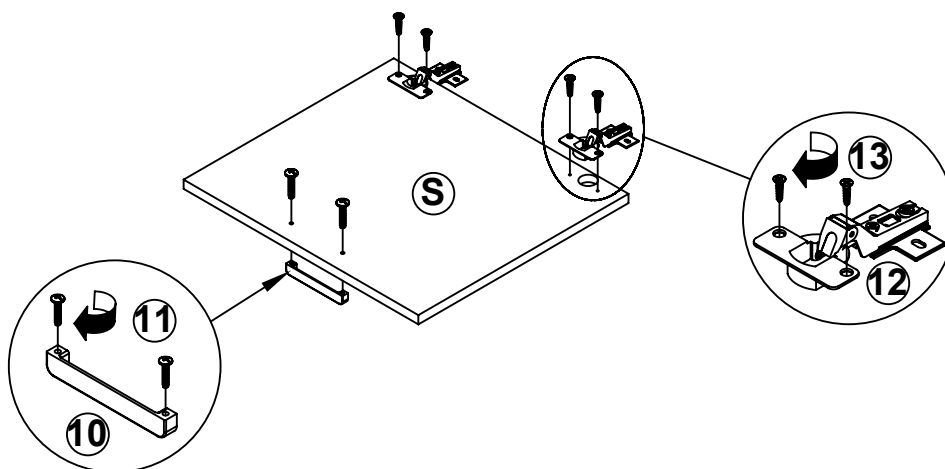
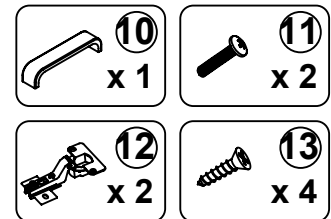
STEP 9



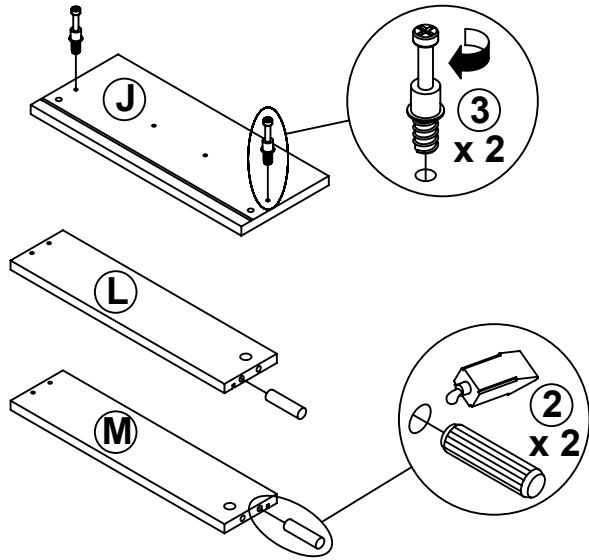
STEP 10



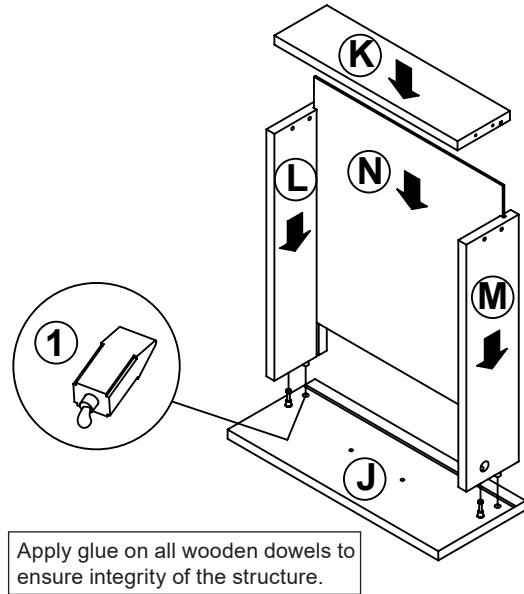
STEP 11



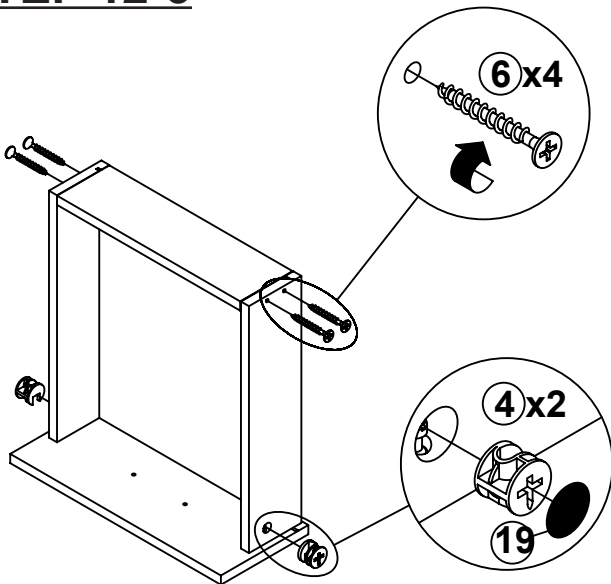
STEP 12-1



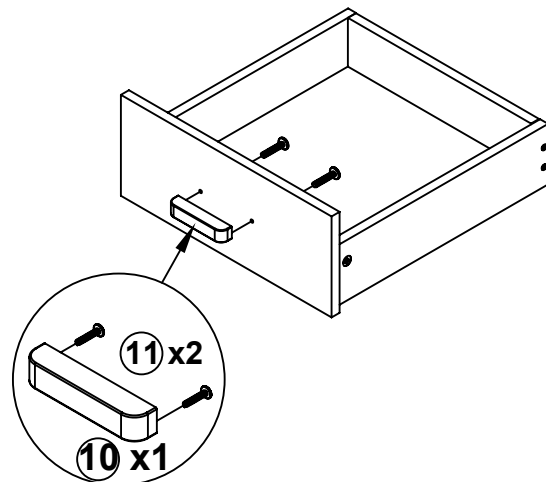
STEP 12-2



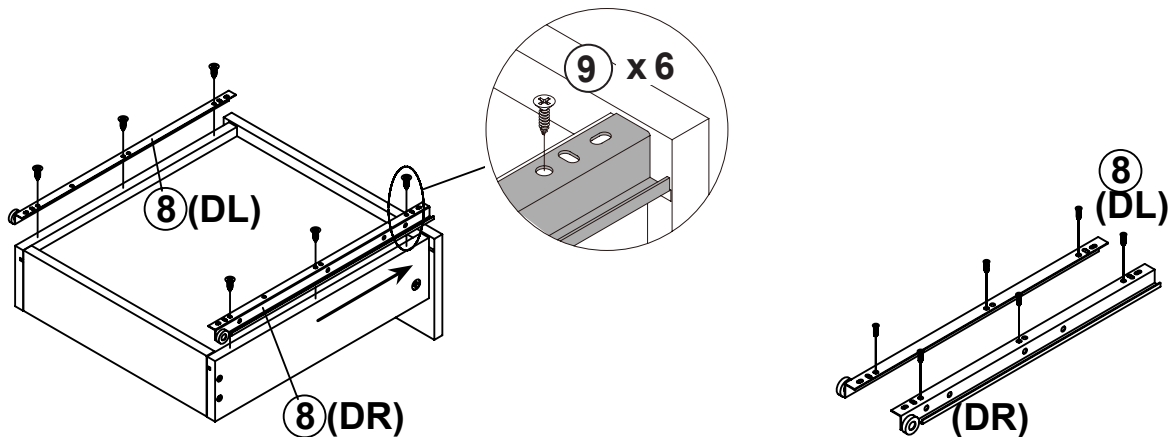
STEP 12-3



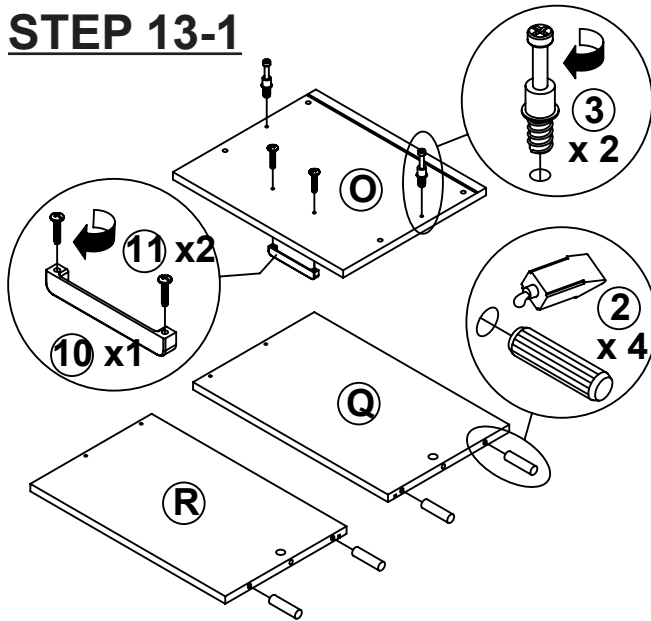
STEP 12-4



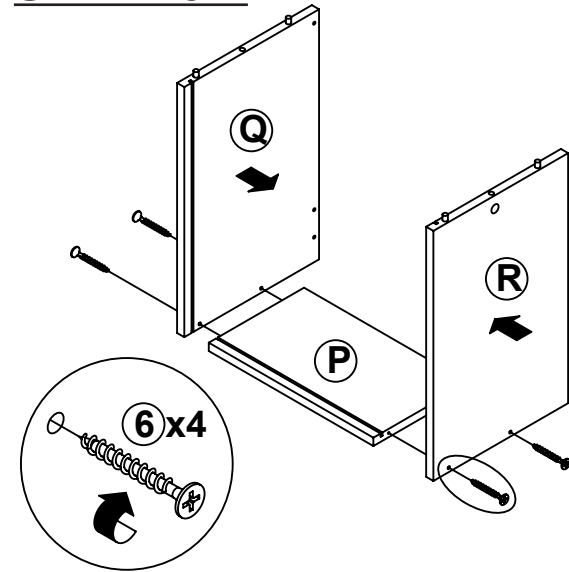
STEP 12-5



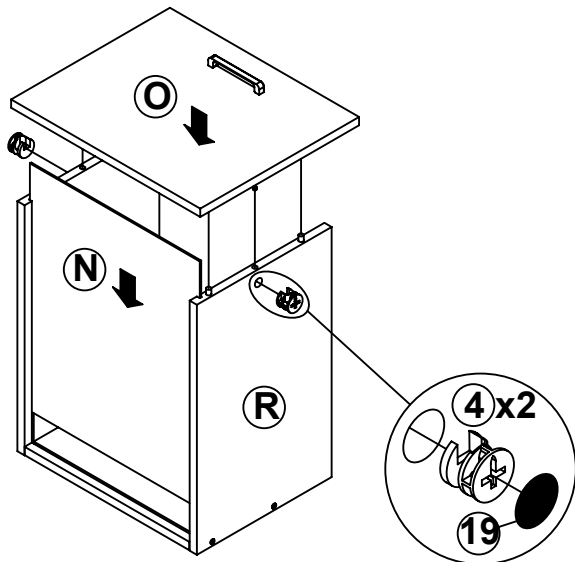
STEP 13-1



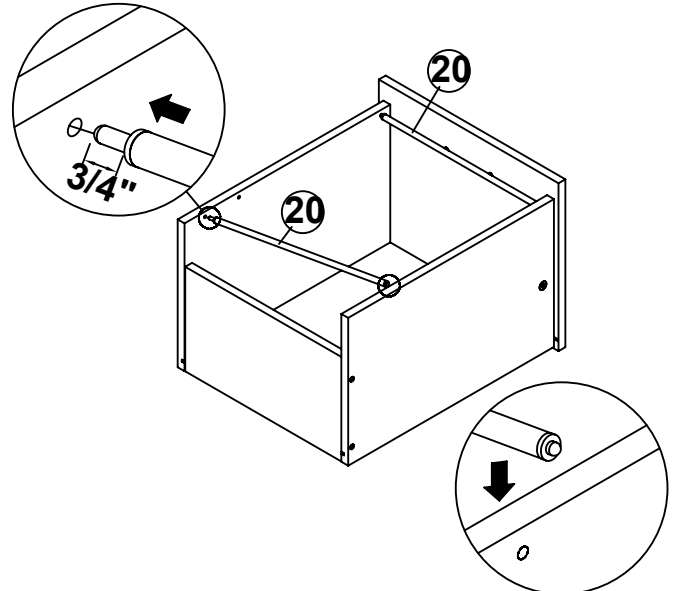
STEP 13-2



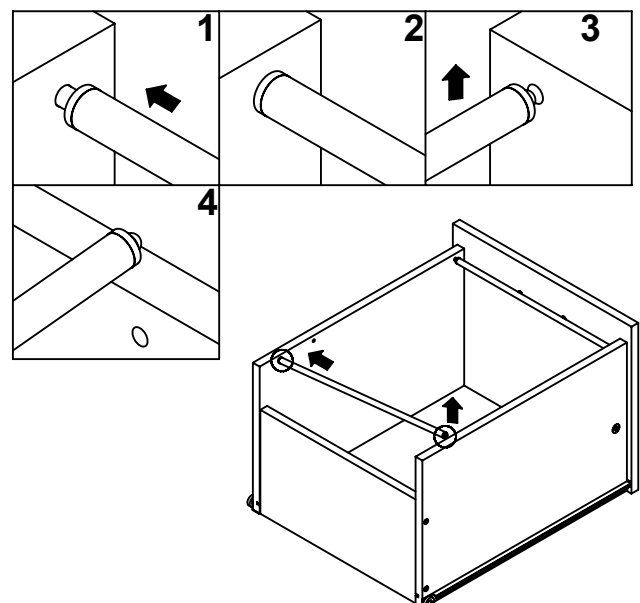
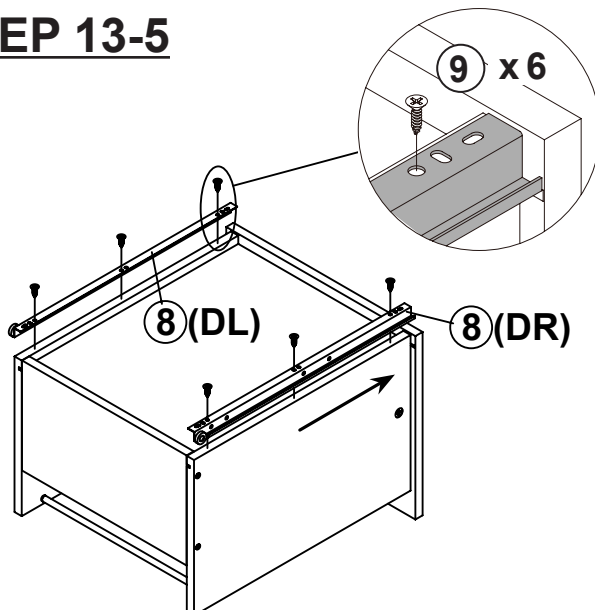
STEP 13-3



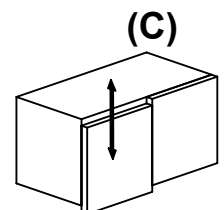
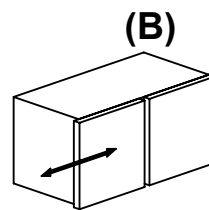
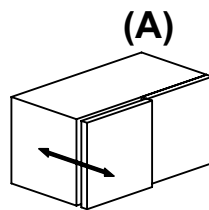
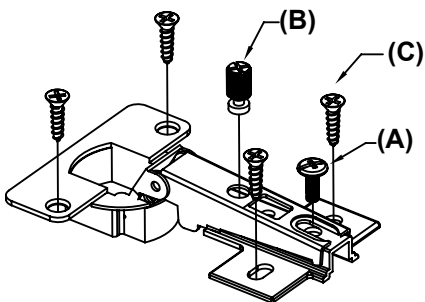
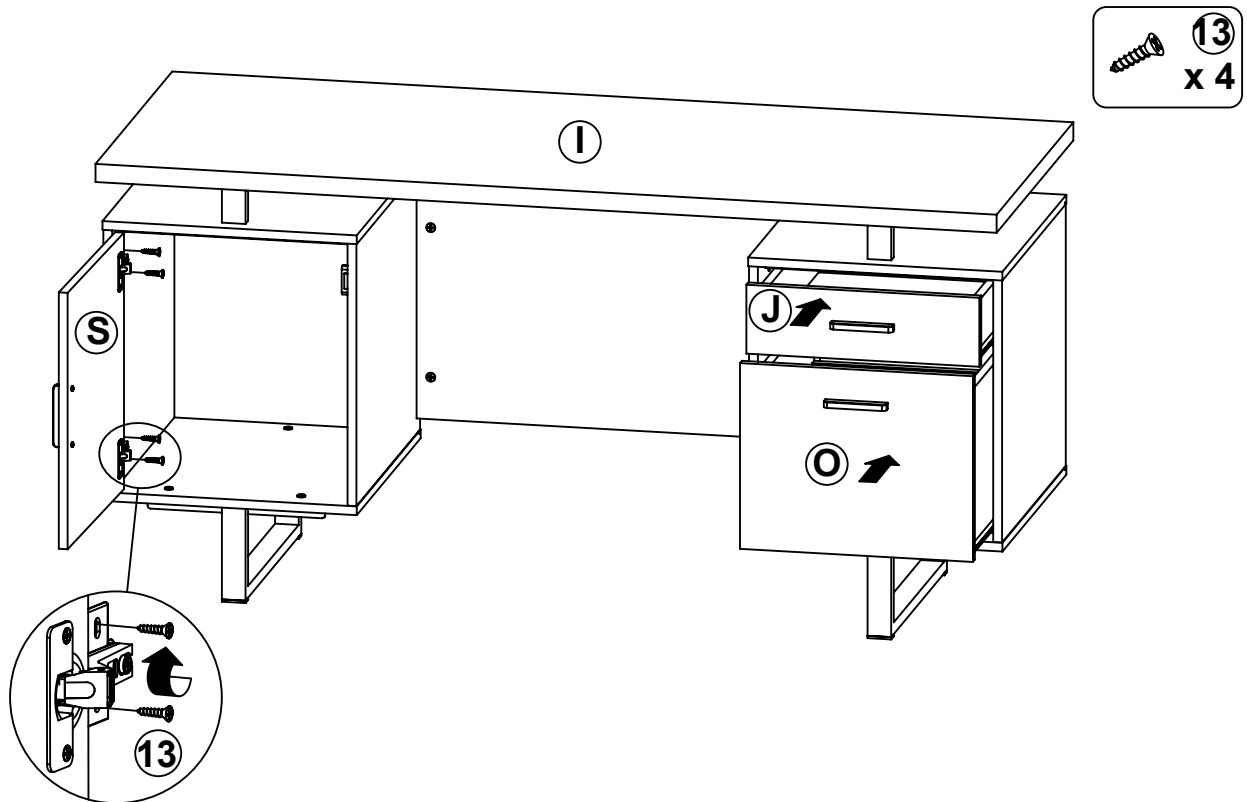
STEP 13-4



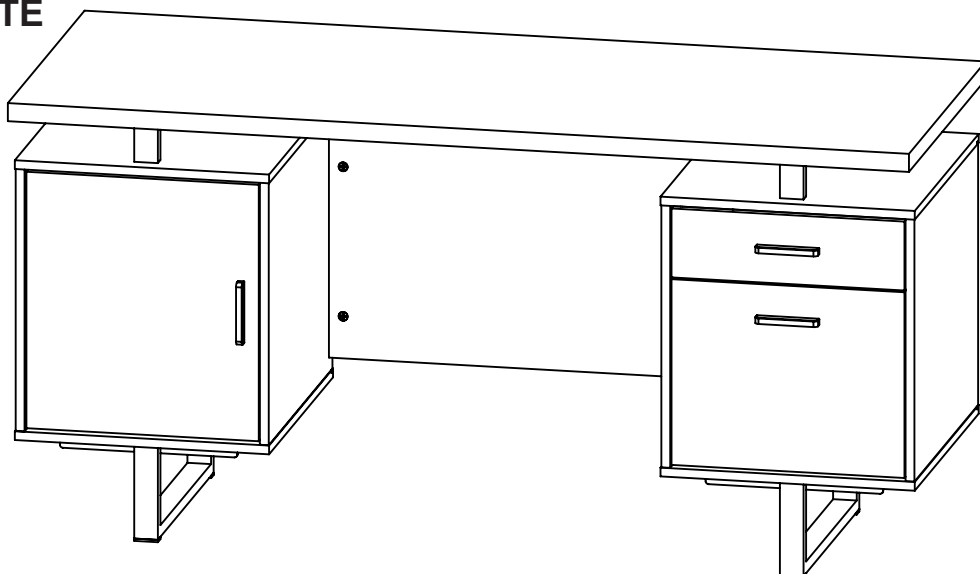
STEP 13-5

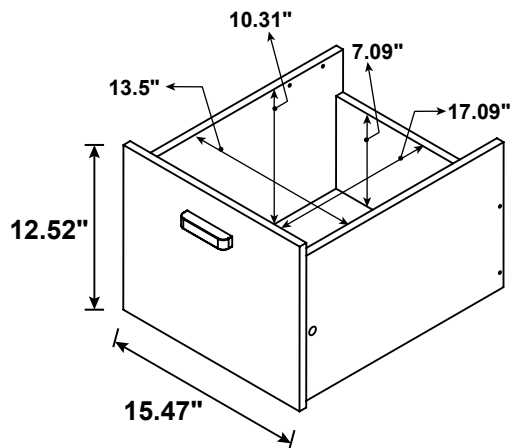
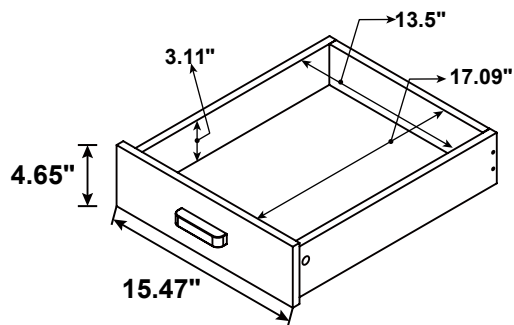
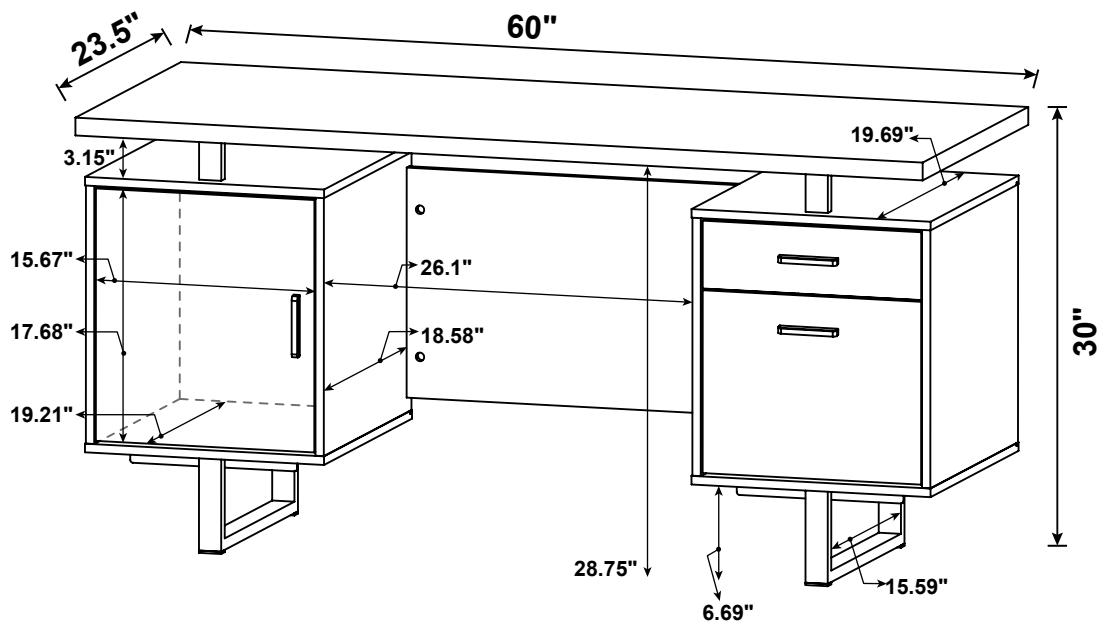


STEP 14



STEP 15 COMPLETE





Note : Dimension tolerance $\pm 5\%$