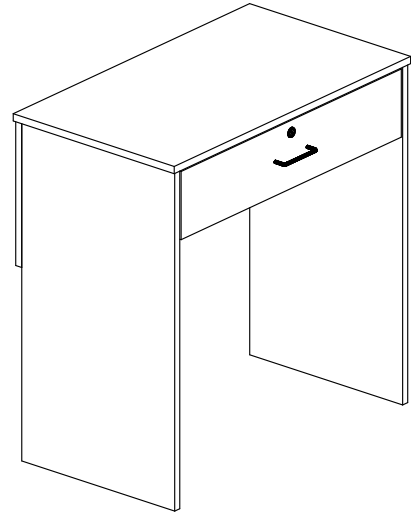
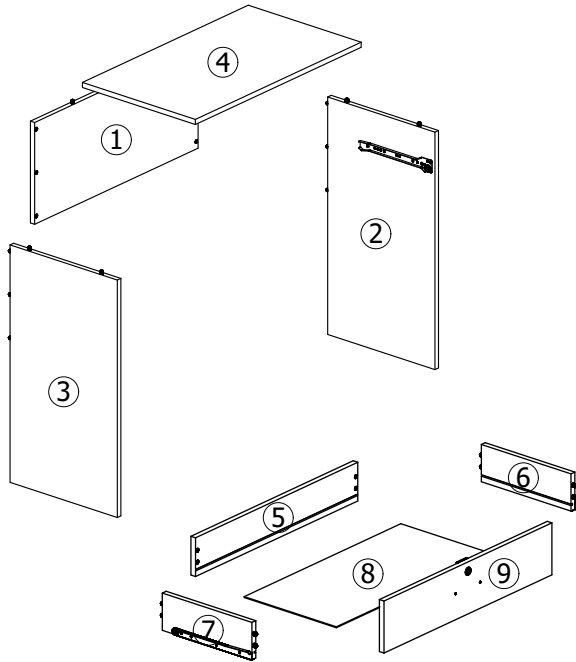
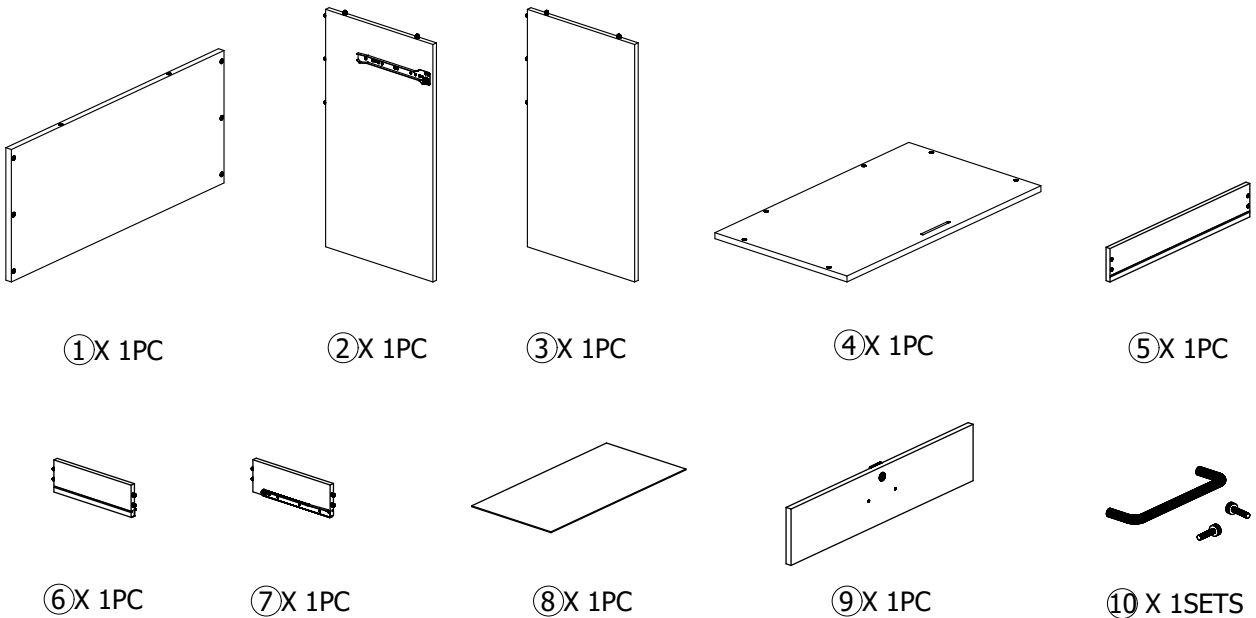


# ASSEMBLY INSTRUCTION

MODEL: WORK FROM HOME DESK



COMPLETED ASSEMBLY



①X 1PC

②X 1PC

③X 1PC

④X 1PC

⑤X 1PC

⑥X 1PC

⑦X 1PC

⑧X 1PC

⑨X 1PC

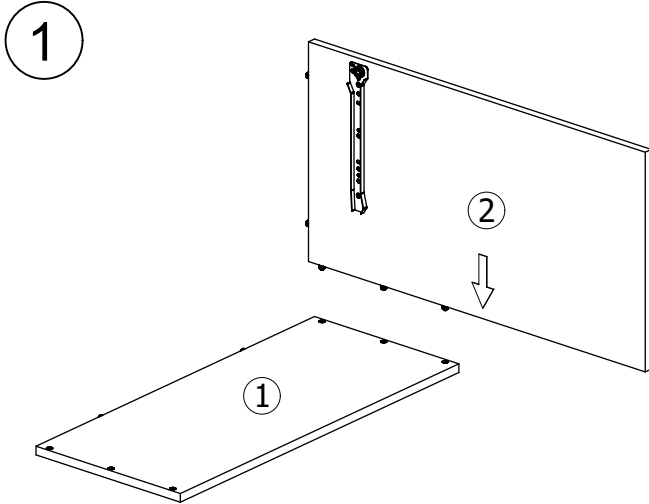
⑩ X 1SETS

**DISCLAIMER:**

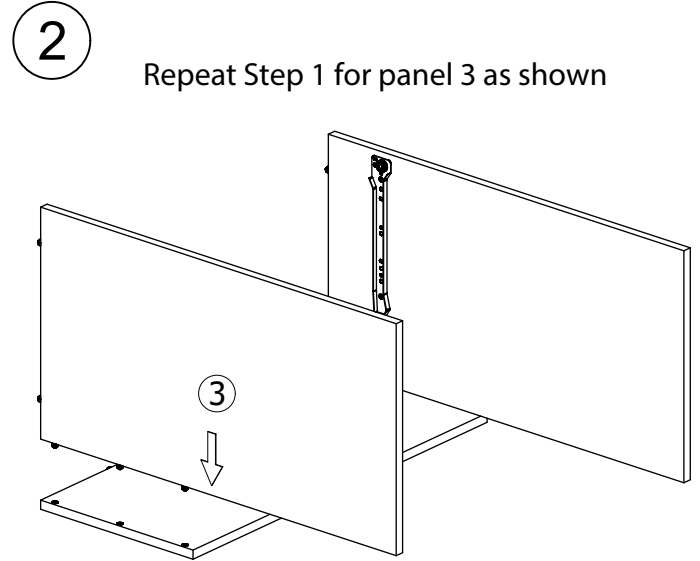
Please use furniture unit only for its intended purpose to help prevent damages or harm to anyone. During assembly please gently slide panels into grooves as instructed. Do not use excessive force as it may cause injuries and damage the wood panels.

# ASSEMBLY INSTRUCTION

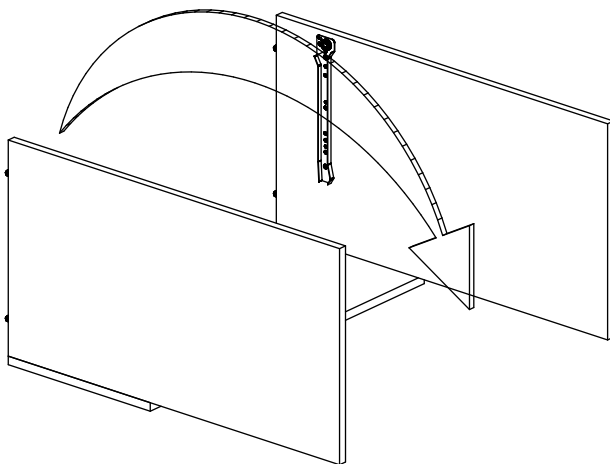
MODEL: WORK FROM HOME DESK



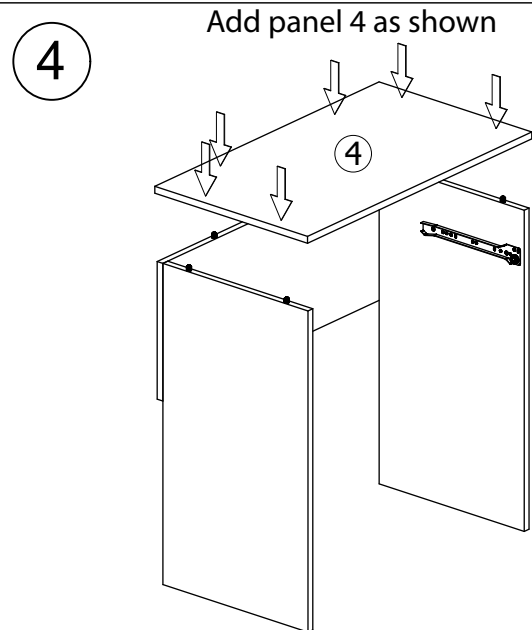
Place panel 1 on the floor as shown and insert the dowels on panel 2 into the holes of panel 1



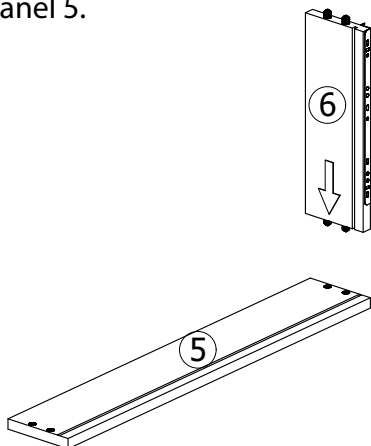
③ Carefully rotate all 3 panels 90° degrees turning the unit over before the next step.



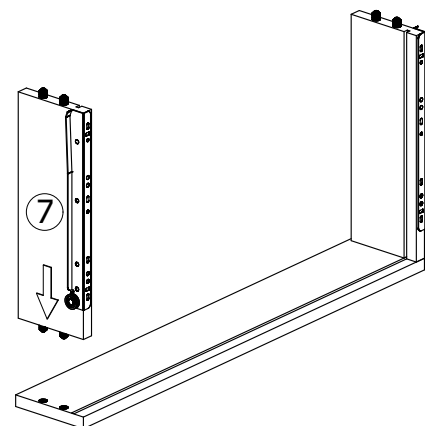
Rotate 90° for the next step assembly as shown



⑤ Place panel 5 on the floor as shown then insert the dowels on panels 6 into the holes of panel 5.



⑥ Repeat Step 5 with panel 7

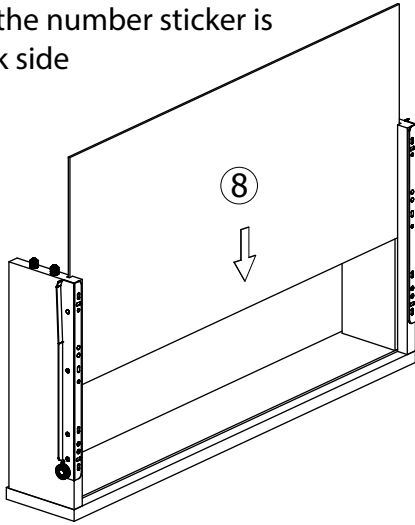


# ASSEMBLY INSTRUCTION

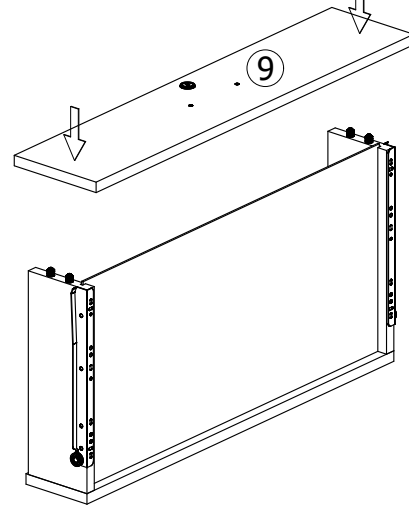
MODEL: WORK FROM HOME DESK

- 7** Gently slide panel number 8 into the correct position.

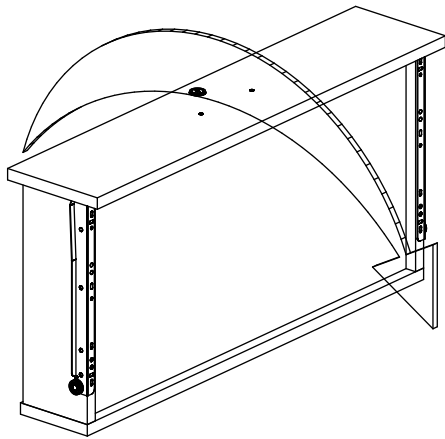
Make sure the number sticker is on the back side



- 8** Add panel 9 as shown aligning dowels.

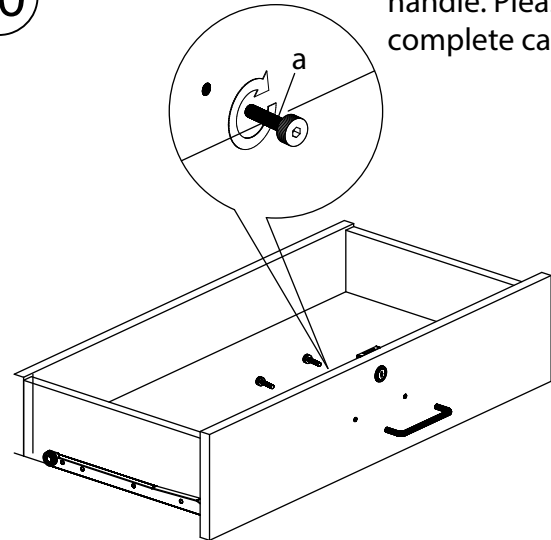


- 9** Carefully rotate all panels 90° degrees turning the unit over before the next step.



Rotate 90° for the next step assembly as shown

- 10** Twist fitting (a) into handle. Please complete carefully.



- 11** Lastly, insert the drawer carefully into unit to complete the Work From Home Desk.

