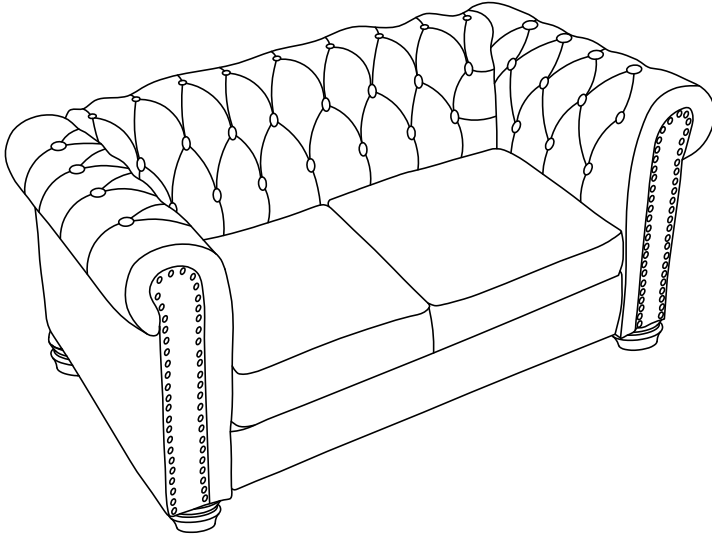




HOMEDETAIL

## Sofa



ITEM CODE (60073,60075,60077,60079,60081,60084)

Please keep this booklet for future reference.  
This is essential information regarding the installation  
and care for your furniture.

# TABLE OF CONTENT

IMPORTANT SAFEGUARDS ..... 1

CONTENT LIST ..... 2

ASSEMBLY INSTRUCTIONS ..... 3-5

SAFETY INSTRUCTIONS ..... 7

CARE GUIDE ..... 8



Minimum Two Persons Assembly



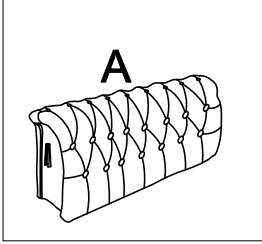
Approx Assembly Time 30 minutes

## Helpful advice before you begin

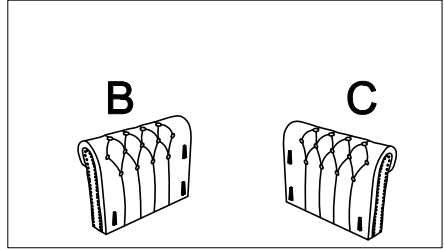
- We suggest you spend a short time reading through this leaflet and follow the simple step-by-step instructions.
- Keep fittings out of children's reach and keep children away from the construction area.
- Most of the time, you will find the parts stored underside the sofa. Please turn the sofa upside down to locate the Zip or Velcro.
- Carefully check that you have all the parts before beginning assembly.
- In the unusual event of an issue with your product, please quote the SKU, Item code and part number along PO or batch number.
- To ensure an easier assembly, we strongly advise that all fittings are only finger tightened during initial assembly. Only upon completion of the assembly should all fixing points be fully tightened
- New product odours are perfectly normal and a natural part of the manufacturing process. Allow some time for your new piece of furniture to settle, and the odour will disappear naturally.
- Do not dispose of the packaging until the contents have been fully assembled.

# CONTENT LIST

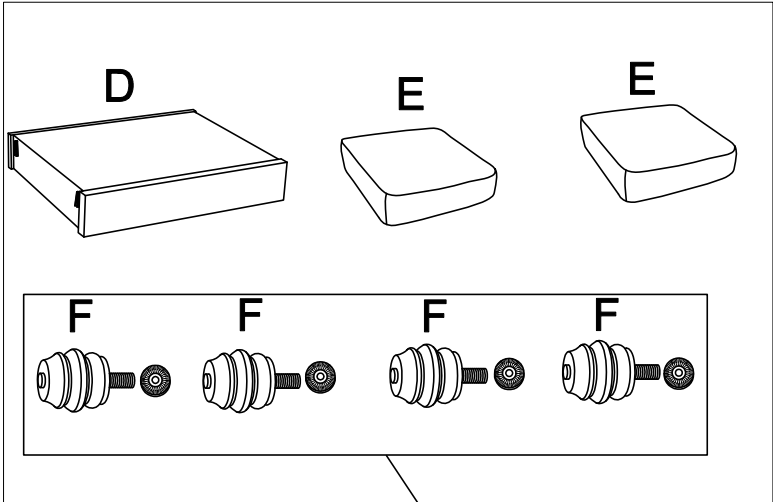
BOX 1-3:BACKREST



BOX 2-3:ARMRESTS

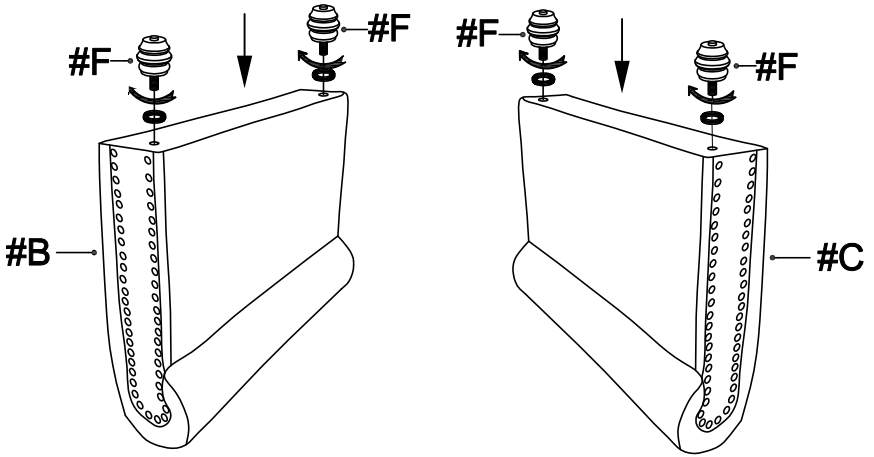


BOX 3-3:SEAT FRAME CUSHION



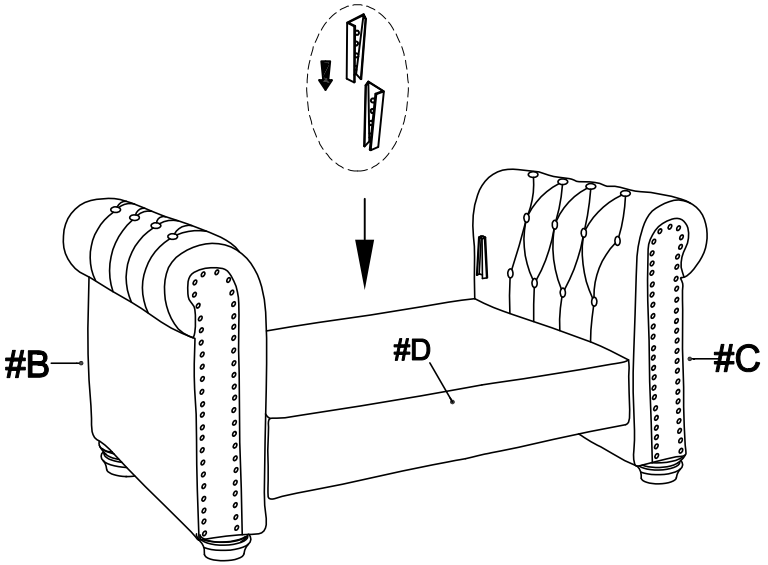
Once you have identified you have all of the relevant parts and fittings, please follow the instructions

# SOFA ASSEMBLY



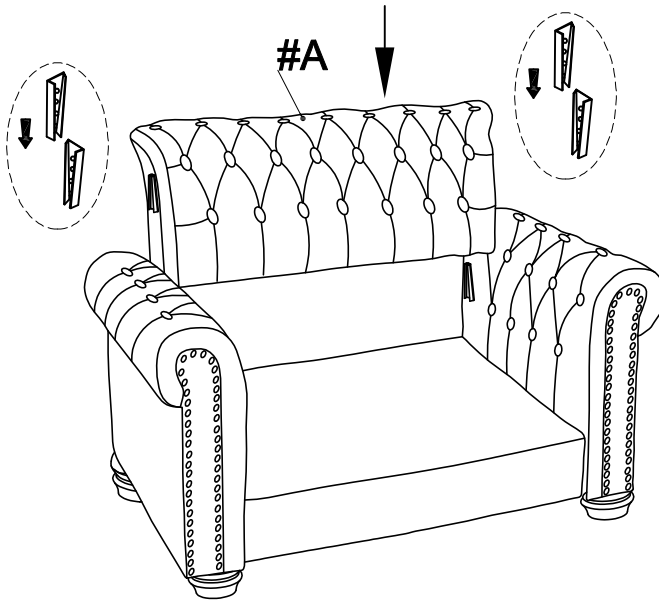
STEP 1

# SOFA ASSEMBLY



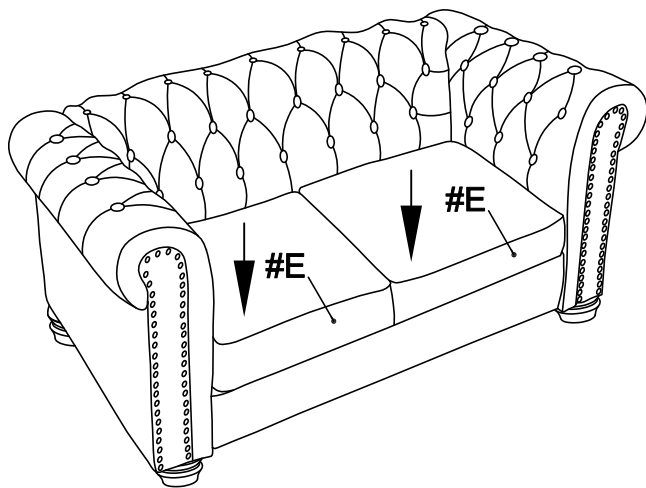
STEP 2

# SOFA ASSEMBLY



STEP 3

# SOFA ASSEMBLY

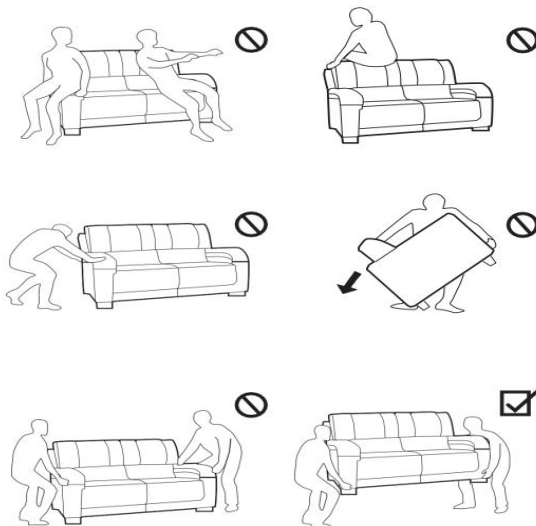


FINISH

# SAFETY AND WARNING INSTRUCTIONS

To maintain the frame of your sofa in perfect condition, please follow these guidelines:

- Keep hands and feet clear of the sofa to prevent entrapment of fingers or toes.
- Keep children and pets away from the assembly area, as small parts may pose a choking hazard. Dispose of all plastic and packaging materials safely.
- Do not allow children to adjust the ratchet or allen key.
- Do not jump on the sofa.
- Do not sit on the arms or backrest of the sofa.
- Do not drag the sofa across rough surfaces (such as carpets or rugs).
- When moving the sofa over smooth surfaces, ensure it is lifted rather than pushed.
- Periodically, check that there are no loose screws, nuts or bolts. If there are, please re-tighten.
- This Sofa is for indoor residential use



# CARE GUIDE

To ensure the longevity and appearance of your furniture, we recommend the following care and maintenance guidelines:

## CLEANING

**Regular Cleaning:** Dust your sofa regularly, including under the seat cushions, using soft, dry cloth or a vacuum cleaner with a brush attachment.

**Stain Removal:** To clean your new sofa bed, we'd advise using a warm damp cloth - please do not use abrasive chemicals or bleach as this may damage the product.

## Fabric & Leather Protection

- Avoid placing your sofa in direct sunlight or under intense indoor lighting to prevent fading and drying.
- Keep your sofa at least 50cm away from heat sources such as radiators, hairdryers, and irons.
- Do not place sharp objects on your leather sofa to prevent scratches.

By following these care guidelines, you can help to extend the life of your fabric or leather recliner sofa and keep it looking its best for years to come.



HOMEDetail

Customer Care & Support  
HOME DETAIL  
[Support@homedetail.co.uk](mailto:Support@homedetail.co.uk)

© Home Detail. All Rights Reserved.

Home Detail logos are registered trademarks of The Home Detail® Corporation.

Imported and distributed by:

Home Detail

4 Spiersbridge, Glasgow, United Kingdom

[www.homedetail.co.uk](http://www.homedetail.co.uk)