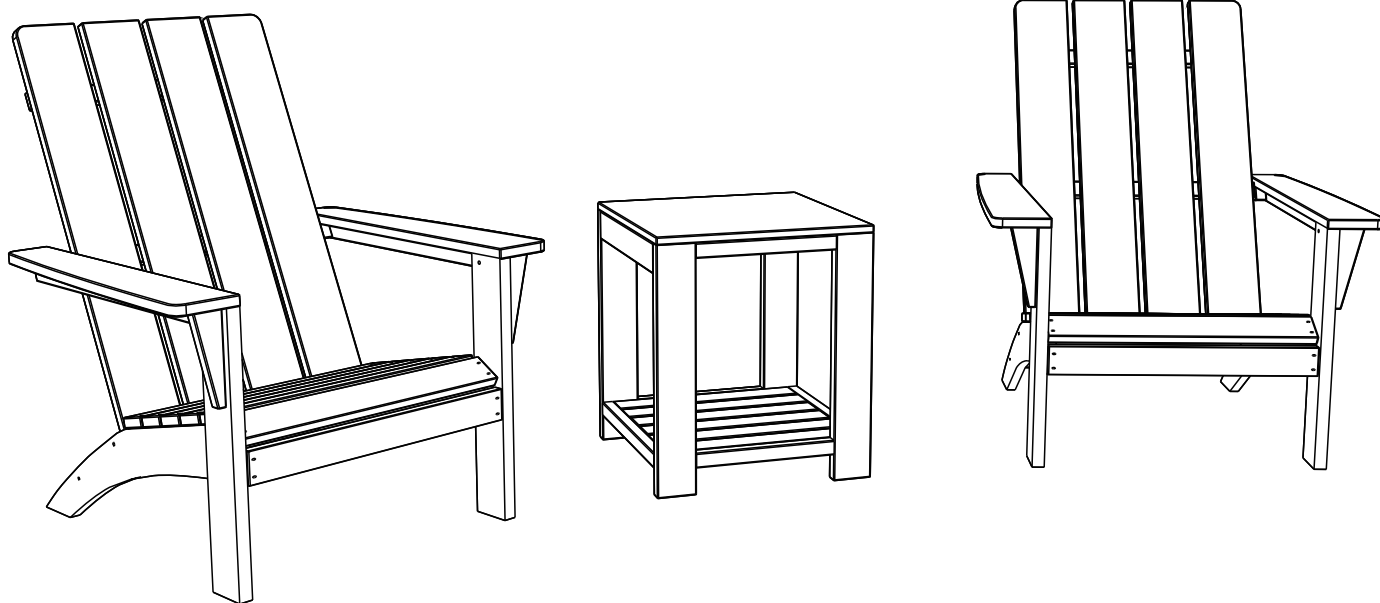


Adirondack Chair 3-Piece Set

If you have any questions about outdoor Adirondack chairs, please feel free to contact us.

Customer Service Email: Service@alaulm.com



25-P042-B02

IMPORTANT

PLEASE READ BEFORE YOU COMMENCE ASSEMBLY

Follow the guidelines in this user guide to ensure correct assembly and care for this product.

Catalog

Specifications..... 02

Care & Instructions 03

Exploded Views 05

Parts List..... 06

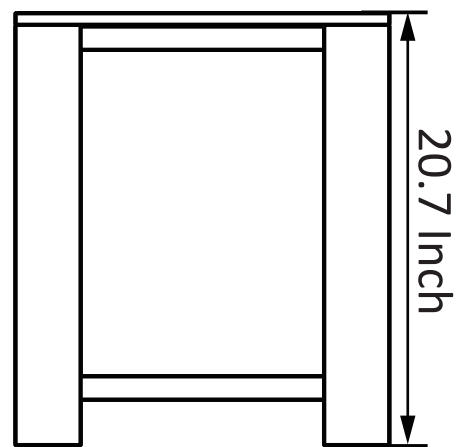
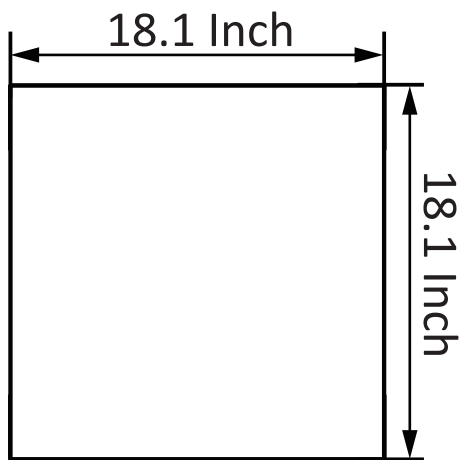
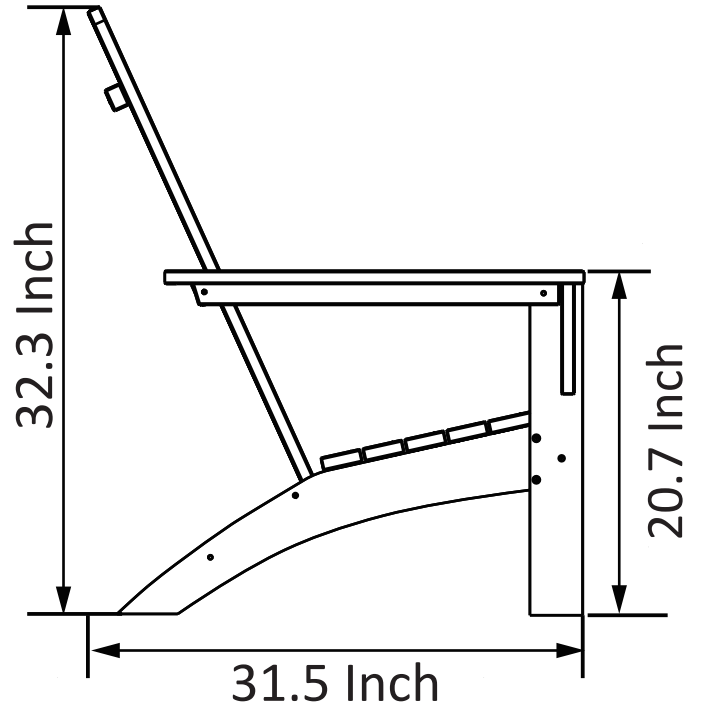
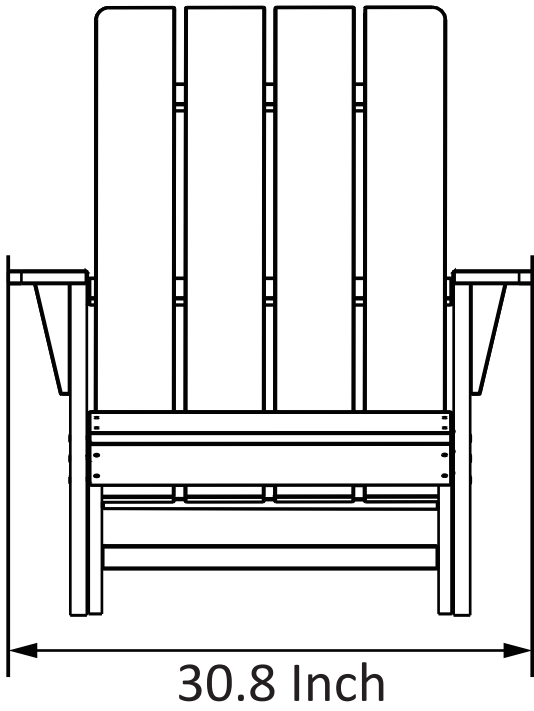
Screw Set List.....07

Extra List.....07

How to Assemble Adirondack Chair.....08

Installation instructions in French..... 14

SPECIFICATIONS



Care & Instructions

Thank you for ordering this Outdoor Adirondack Chair 3-Piece Set.

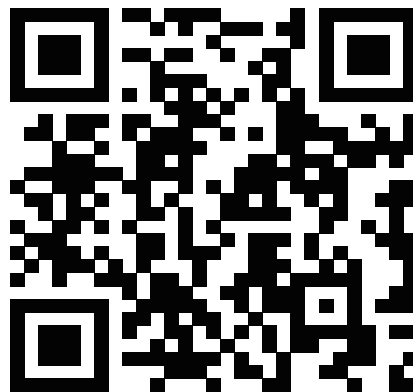
Here are some suggestions that may be helpful to you:

1. this outdoor Adirondack Chair 3-Piece Set contains two adirondack chairs and one square coffee table per case.
2. If any parts are damaged or missing, please read these instructions carefully (see the parts list on page 5 and page 6) and feel free to contact us. We will replace them for you immediately.
3. We hope you can like our products, if you have any other questions, please contact us.

How to contact us:

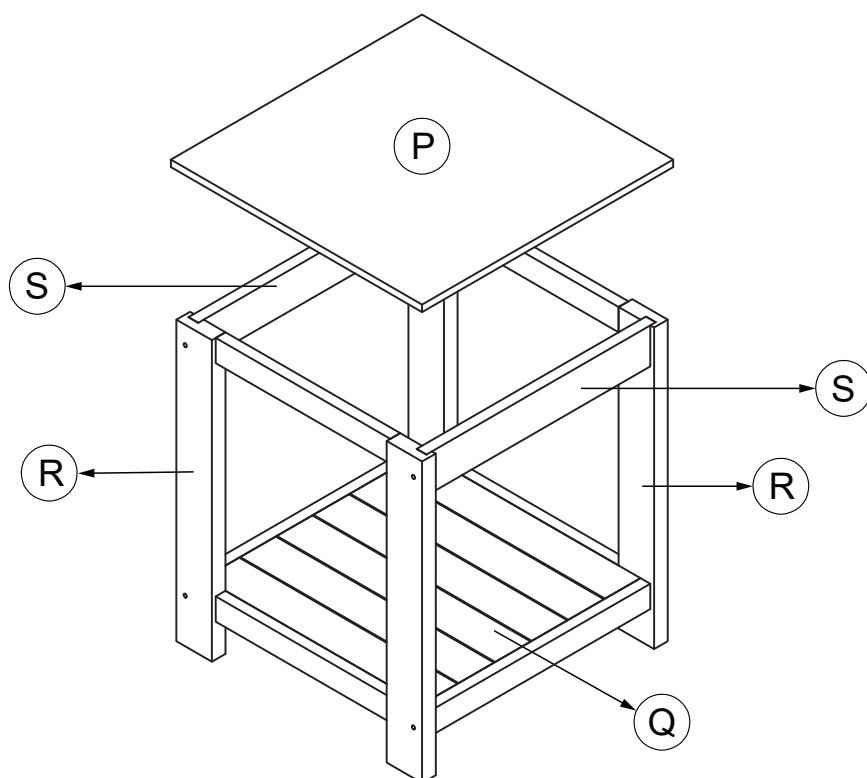
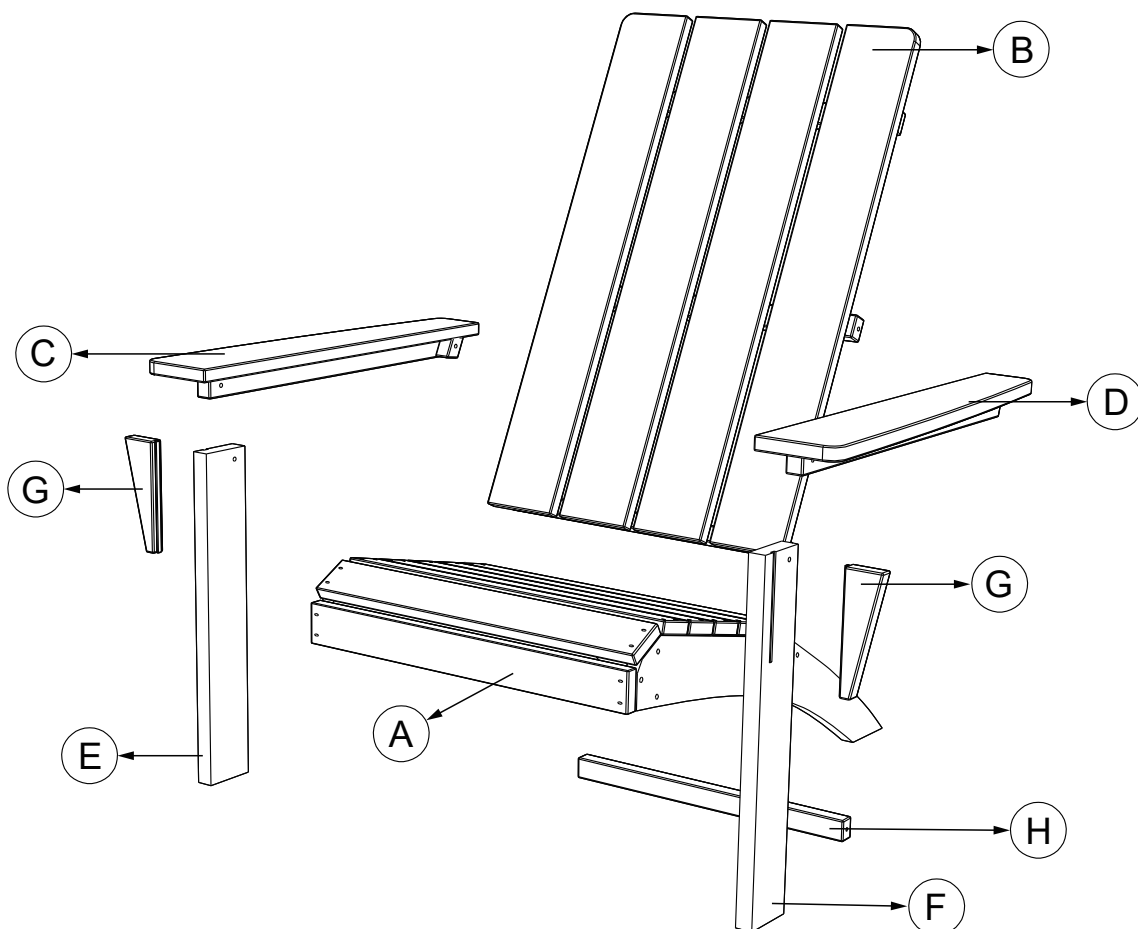
Email:service@alaulm.com

Web:www.alaulm.com

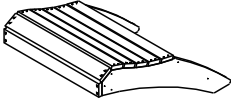
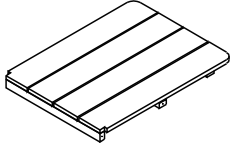
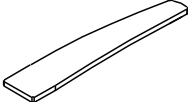
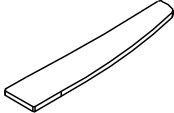
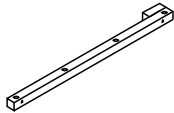
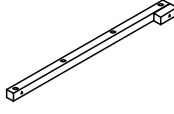





You can scan the QR code to explore more products.

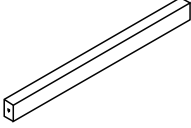
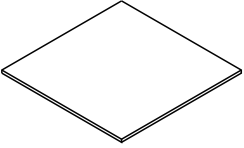
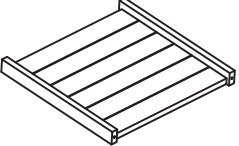
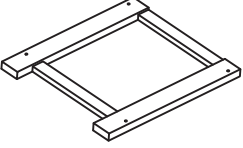
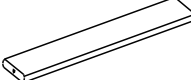
EXPLODED VIEWS



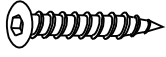








Packing List

Part	Description	Part Name	Qty
A		Seat Plate	2
B		Back Plate	2
C		Right Armrest Plate	2
D		Left Armrest Plate	2
WR		Right Armrest Fixing	2
WL		Left Armrest Fixing	2
E		Right Foreleg	2
F		Left Foreleg	2
G		Triangular fixing	4

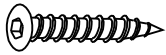



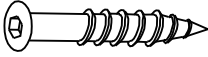


Packing List

Part	Description	Part Name	Qty
H		Connection Bar	2
P		Coffee Table Top	1
Q		Coffee Table Connecting Surface	1
R		Coffee Table Leg	2
S		Coffee Table Connector	2

Screw Set A

Part	Description	Part Name	Qty
AA		Screw 6.3 × 50	16
CC		Bolt M6 × 40	16
DD		Bolt M6 × 55	12
EE		Bolt M6 × 60	4
MM		Screw 6.3 × 80	4
GG		Nut	16
HH		Washer	16
JJ		T-Wrench	1
KK		Nut Wrench	1

Extra Screw Set

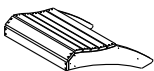
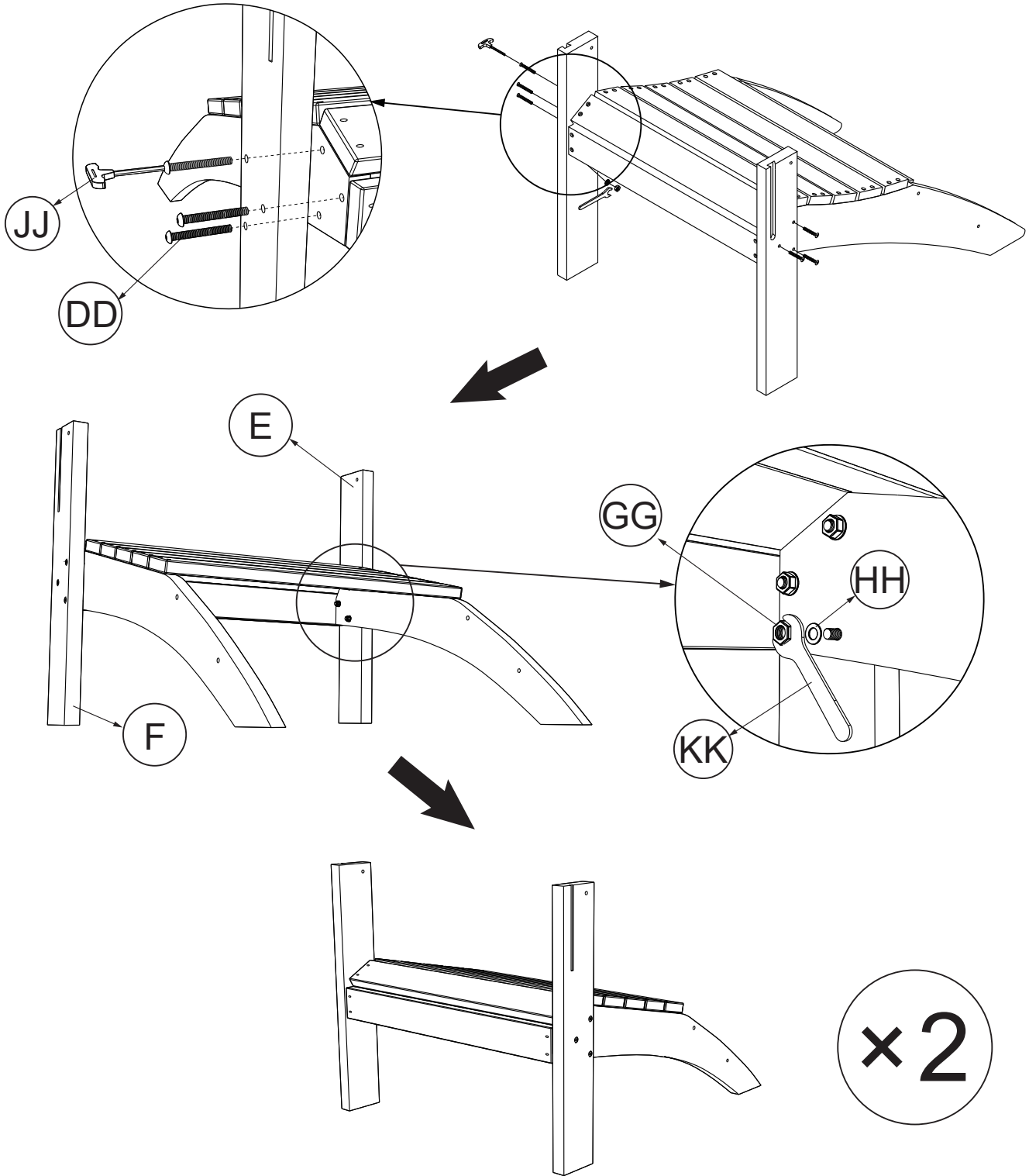
Part	Description	Part Name	Qty
AA		Screw 6.3 × 50	2
CC		Bolt M6 × 40	2
DD		Bolt M6 × 55	2
EE		Bolt M6 × 60	1
MM		Screw 6.3 × 80	1
GG		Nut	3
HH		Washer	3

INSTRUCTION

STEP 1

First align the seat plate (A) with the three holes on the side of the right foreleg (E) and left foreleg (F) respectively as shown, then assemble and tighten using the bolts (DD), spacers (HH) and nuts (GG).

Note: The screw head is on the outside and the nut is on the inside for this process.



(A) × 2



(E) × 2



(F) × 2



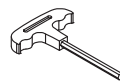
(DD) × 12



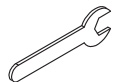
(GG) × 12



(HH) × 12



(JJ) × 1

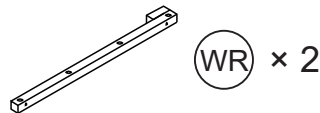
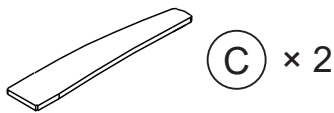
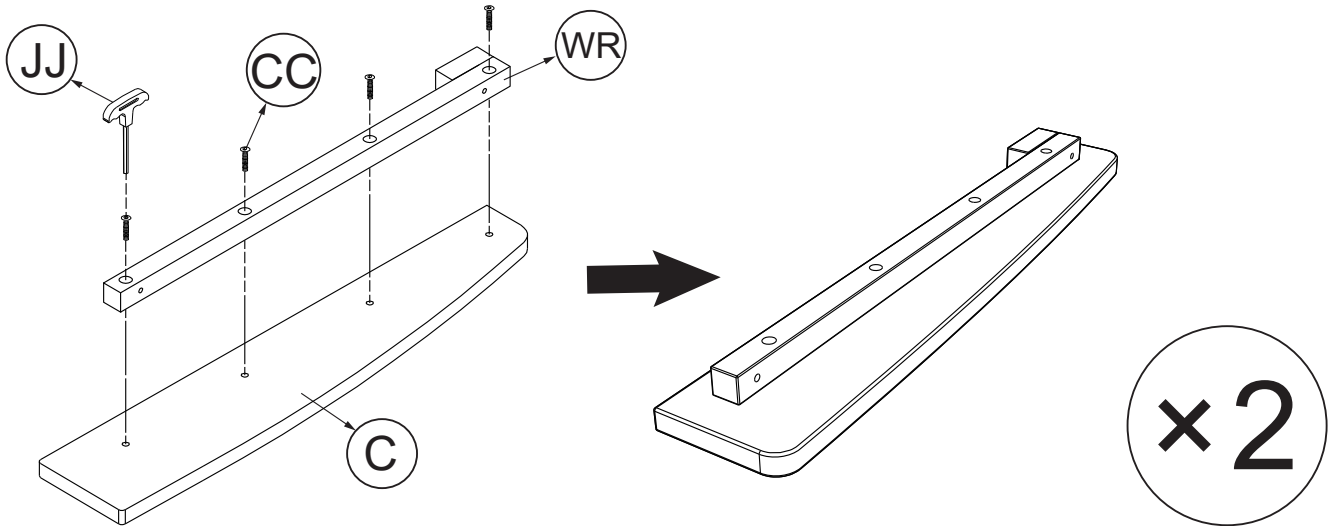


(KK) × 1

INSTRUCTION

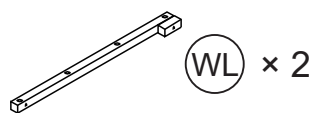
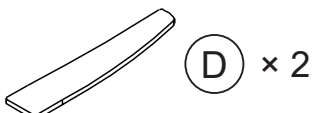
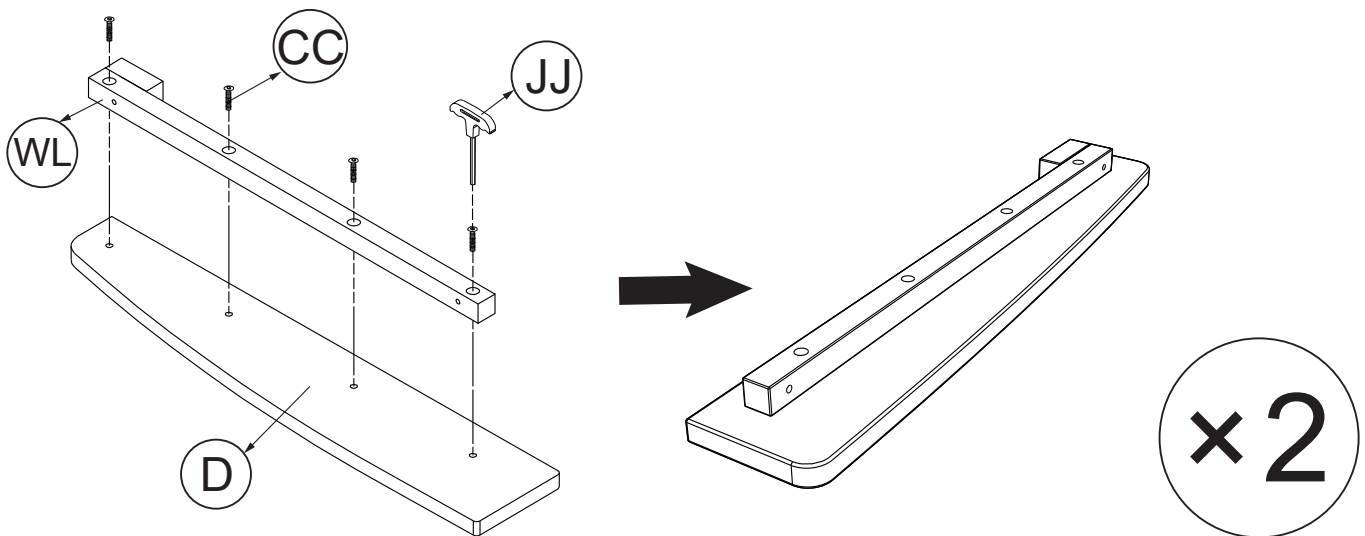
STEP 2

As shown, connect the right armrest (C) with the Right Armrest Fixing (WR), use bolts (CC), and tighten it.



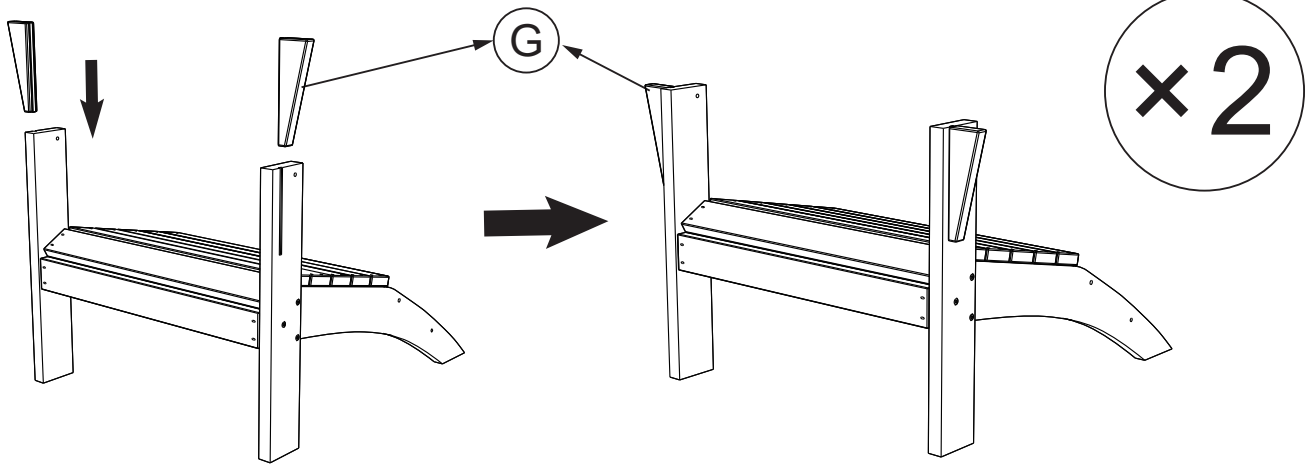
STEP 3

As shown, connect the left armrest (D) with the left armrest fixing (WL), use bolts (CC), and tighten it.



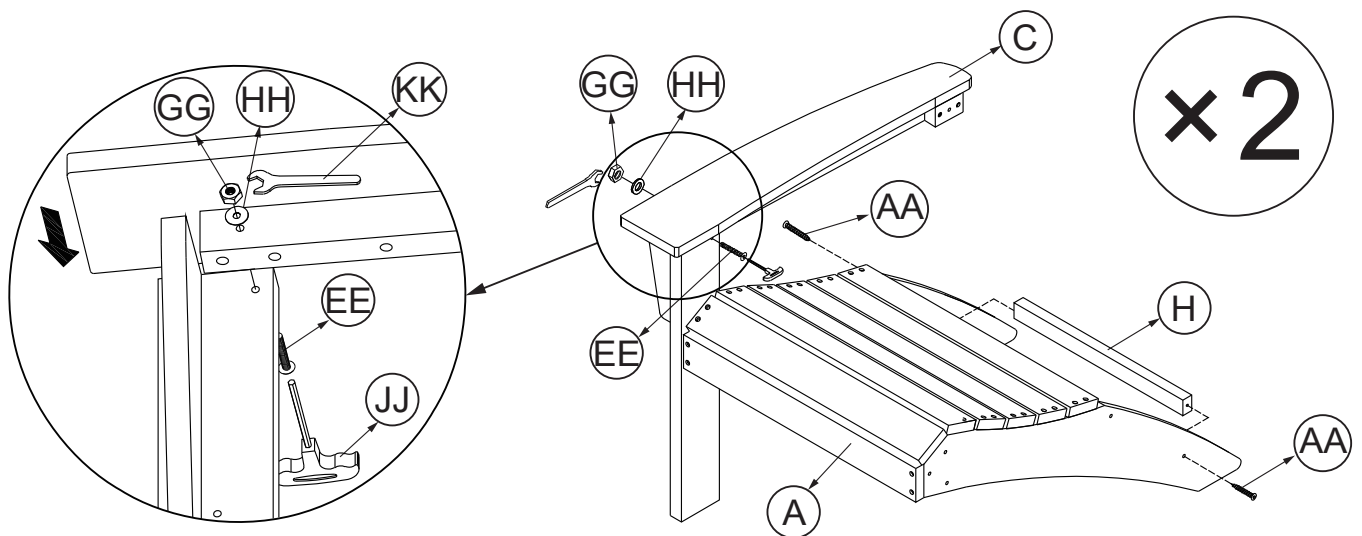
STEP 4

As shown, Snap the triangular fixing (G) into the grooves of the right foreleg (E) and the left foreleg (F).



STEP 5

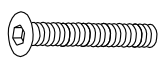
As shown in the figure, the installed right armrest is combined with the right front leg (E) and assembled with bolts (EE), spacers (HH) and nuts (GG).
Note: Do not tighten the bolt too tightly in this step.
 Then attach the connection bar (H) between the hind legs using screws (AA) and tighten it.



(H) x 2



(AA) x 4



(EE) x 2



(GG) x 2



(HH) x 2



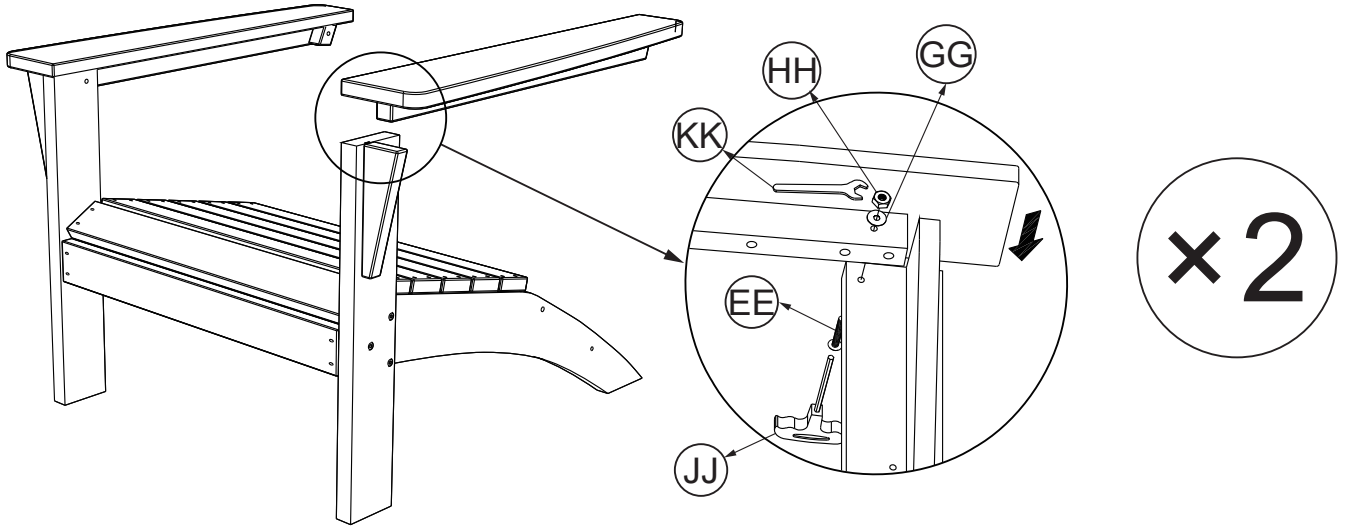
(JJ) x 1



(KK) x 1

STEP 6

As shown in the figure, the installed left armrest is combined with the left foreleg (F) and assembled with bolts (EE), spacers (HH) and nuts (GG).
Note: Do not tighten the bolt too tightly in this step.
 Then attach the connection bar (H) between the hind legs using screws (AA) and tighten it.



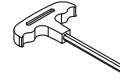
(EE) × 2



(GG) × 2



(HH) × 2



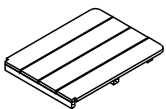
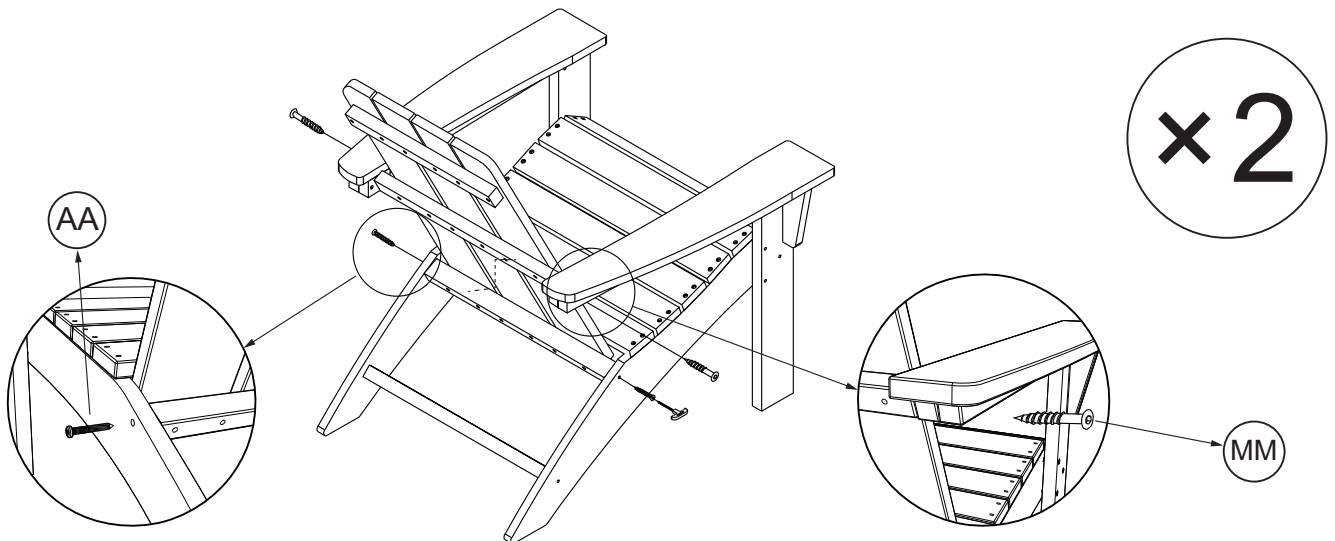
(JJ) × 1



(KK) × 1

STEP 7

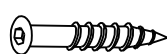
As shown in Fig. Attach the back plate (B) between the rears of the seat plate, align the holes behind the seat slats, and tighten them with screws (AA). Then align the middle hole of the back plate (B) with the hole on the back of the armrest, and tighten it with screws (MM).
Note: The foreleg can be bolted to the armrest at this moment.



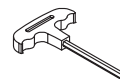
(B) × 2



(AA) × 4



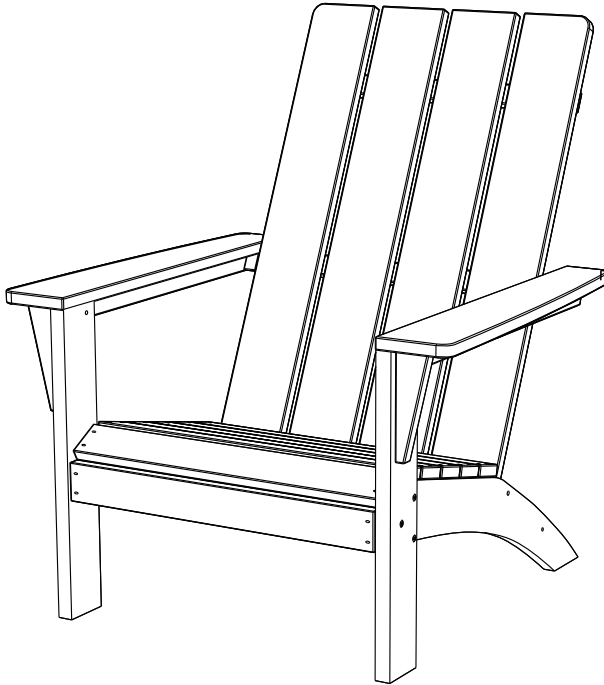
(MM) × 4



(JJ) × 1

STEP 8

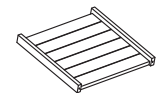
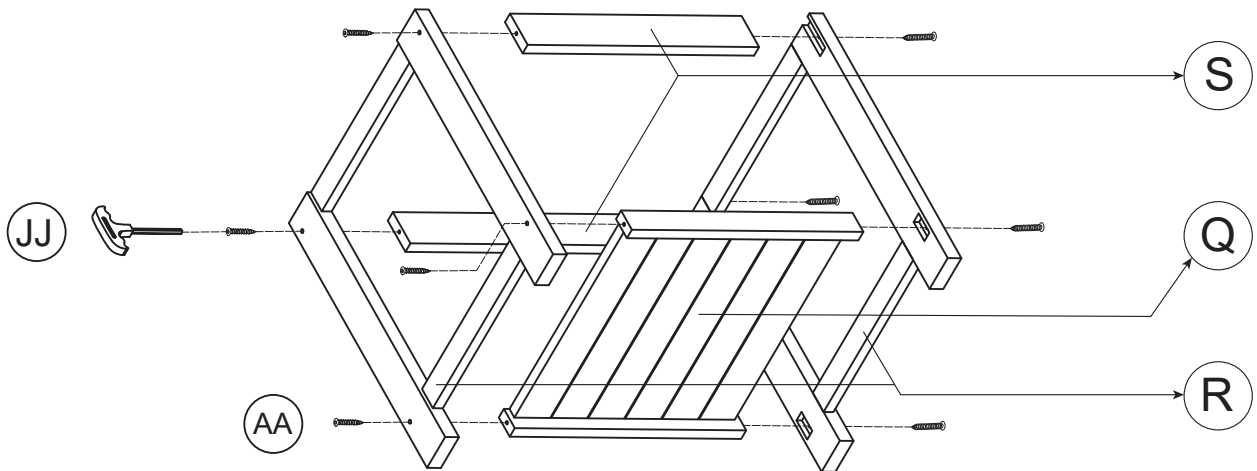
Installation complete!



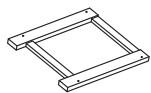
× 2

STEP 9

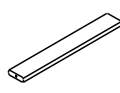
As shown in Fig. Install the coffee table according to the order of the illustration, install the coffee table legs (S) and (T) to the coffee table connection frame (Q) and the coffee table connection surface (R), and tighten them with bolts (LL).



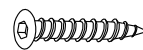
Q × 1



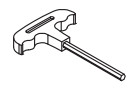
R × 2



S × 2



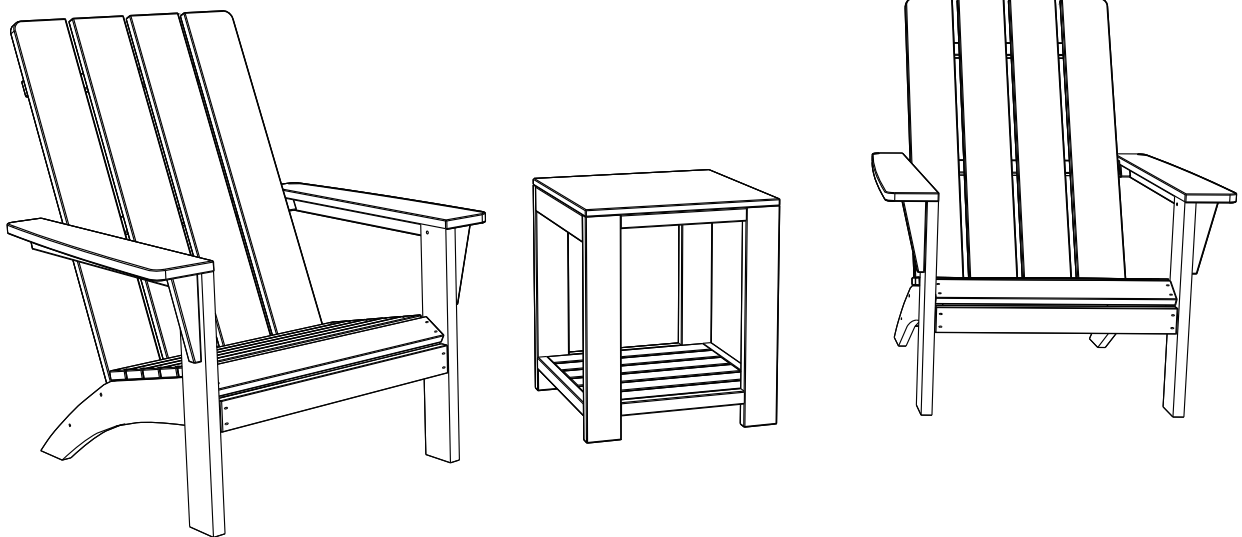
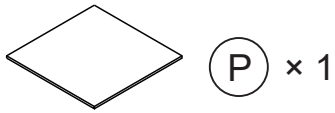
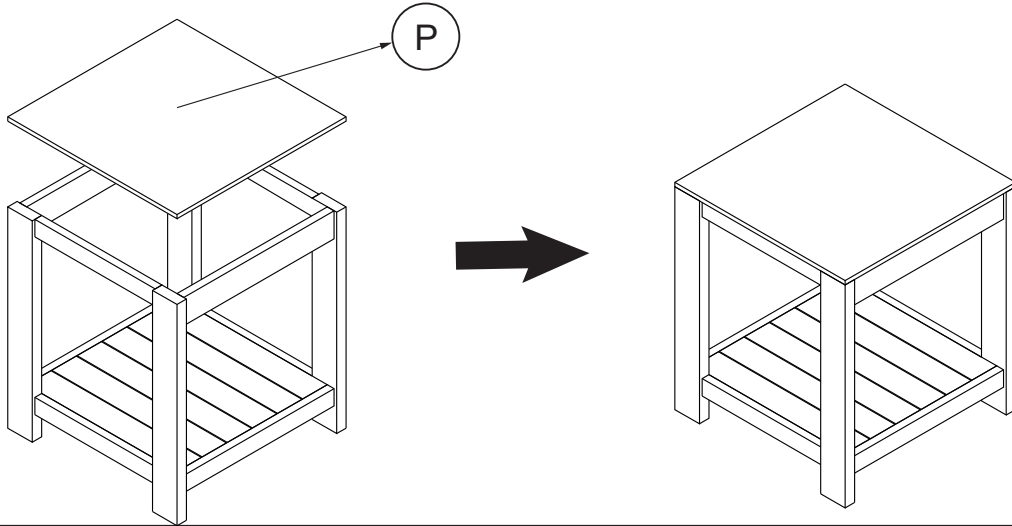
AA × 8

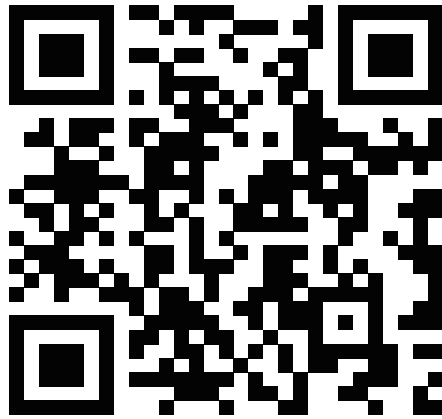


JJ × 1

STEP 10

Finally, place the marble coffee table side (P) on the installed coffee table shelf.





www.alaulm.com

Make your life much better.