




Assembly Instructions

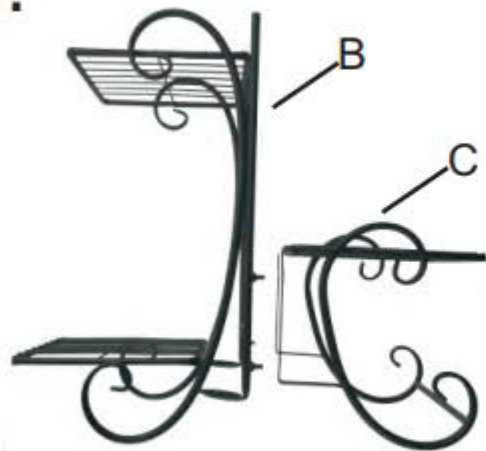
Parts required:

A		1pc
B		1pc
C		1pc

1		4pcs
2		1pc

Screws pre-installed on product

1.



2.



3.

