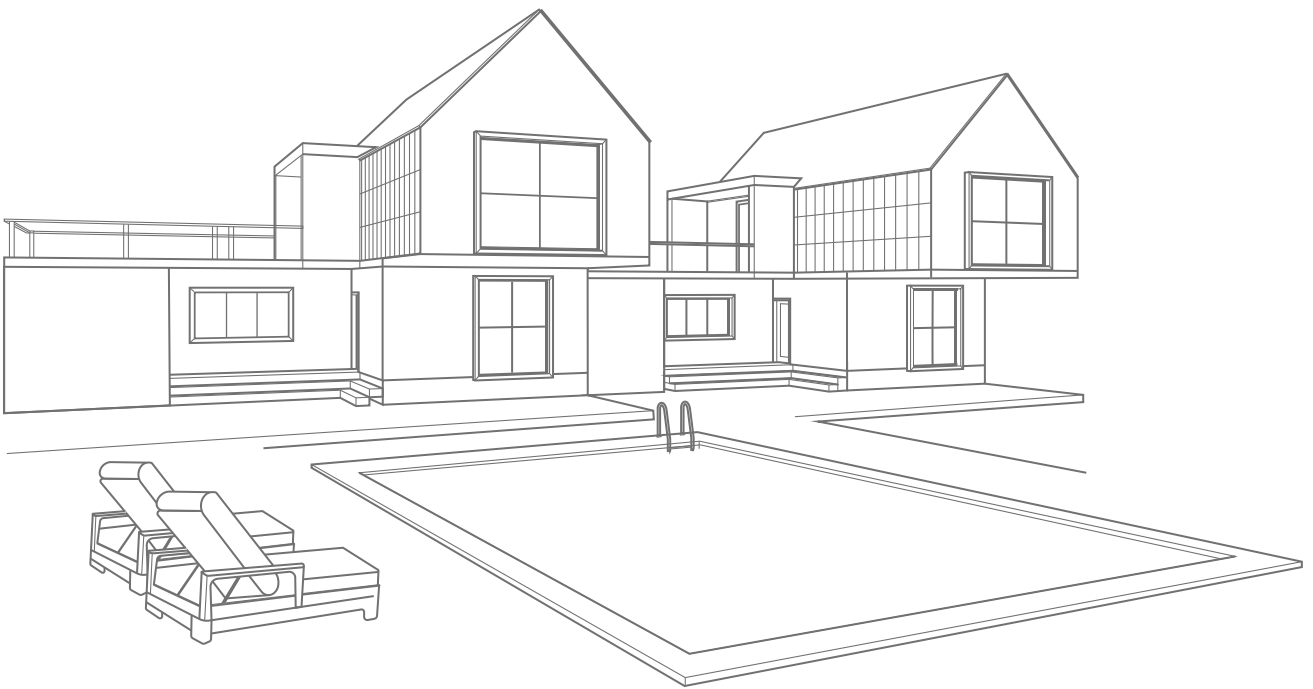
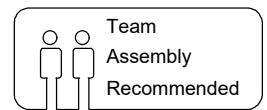
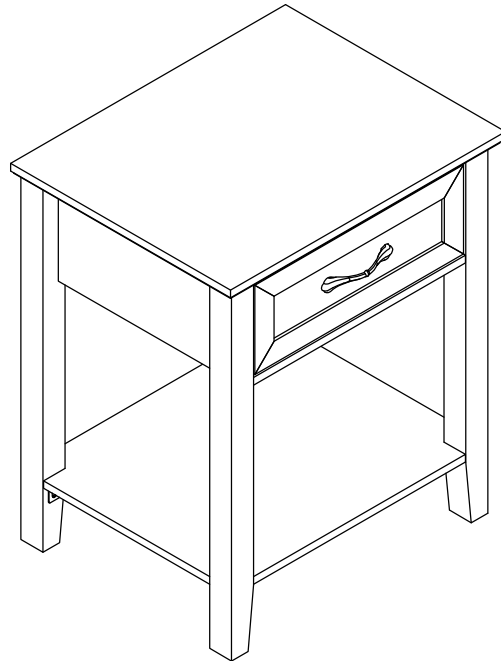


bed side table



Assembly Instruction



Trouble shooting:

Missing /Wrong/Broken parts and installation issues



Respond within 24 hours



Issue resolved

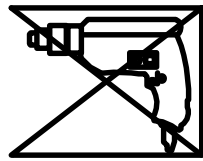
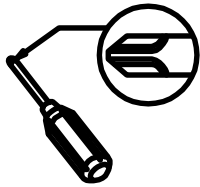
Tips!



1. Check all the components & screws are intact before assembling .
2. If you notice any pieces are missing or damaged please do not assemble and contact us immediately .
3. **Please send an email with you order number and issues, we will respond within 24 hours.**

Tools required

A Phillips head screw driver is required for the assembly of this product. (not included)
Electric tool should not be used to assemble this product.



Two people are needed



IMPORTANT SAFETY INFORMATION

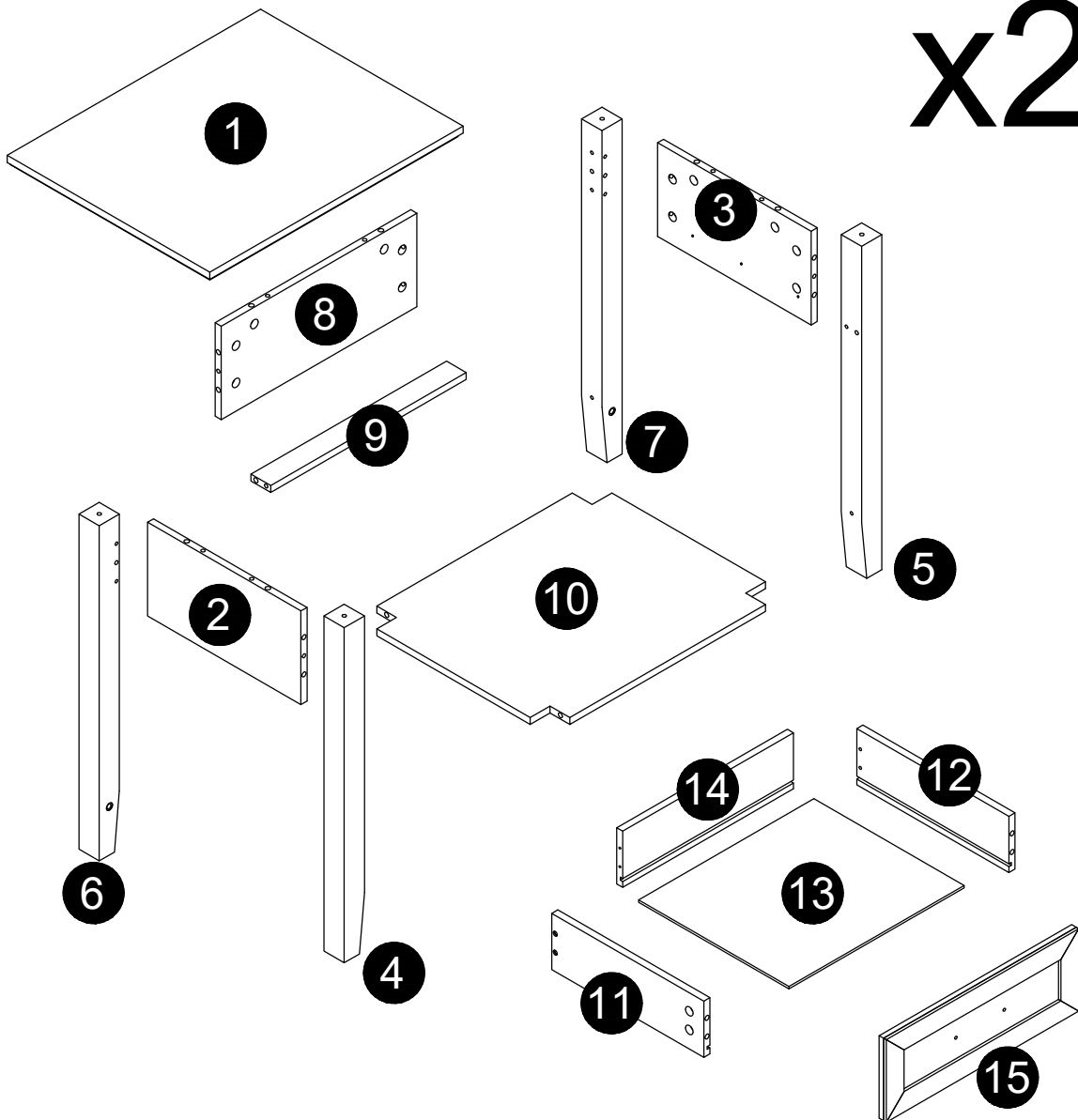
- Please carefully read the following instructions and caution warnings before assembling the product.
- Following this guide will ensure that you install, use and maintain the product properly.
- Please keep this installation and user manual/instructions for future reference in case you need to disassemble the product.
- Never allow children to climb onto the product. Ensure that you have special safety measures when children are around on their own.
- Be sure to check that all parts of the product are intact after you open the package.
- Do not assemble if you notice serious damage such as cracks or bends.
- During installation, please use work gloves for hand safety.
- Please assemble the unit on carpeted floor or the flat cardboard box to avoid scratching the surface or your floor while assembling on the floor.
- To assemble, please use the complimentary installation tools (Phillips screwdriver). Pay more attention to the direction of components at each steps.
- It is recommended that two people work together to assemble the product.

RETURN POLICY

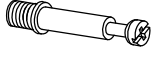



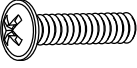
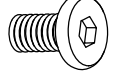

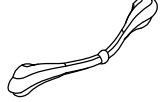
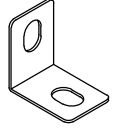
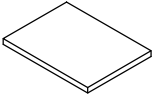
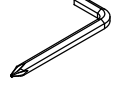
- Ensure the product is in a good condition with the original box and all original certificates of purchase, manuals, and accessories attached.

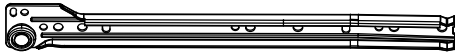
COMPONENTS ID Nr.

Part Nr.	Qty	Part Nr.	Qty	Part Nr.	Qty	Part Nr.	Qty
1	2pcs	2	2pcs	3	2pcs	4	2pcs
5	2pcs	6	2pcs	7	2pcs	8	2pcs
9	2pcs	10	2pcs	11	2pcs	12	2pcs
13	2pcs	14	2pcs	15	2pcs		



HARDWARE LIST

<p>A</p>  <p>Ø6*35mm 56pcs</p>	<p>B</p>  <p>Ø15*10mm 56pcs</p>	<p>C</p>  <p>Ø6*30mm 36pcs</p>	<p>D</p>  <p>Ø3.5x12mm 24pcs</p>
<p>E</p>  <p>M4*12mm 4pcs</p>	<p>F</p>  <p>M6*10mm 16pcs</p>	<p>G</p>  <p>Ø4*35mm 8pcs</p>	<p>H</p>  <p>2pcs</p>
<p>I</p>  <p>8pcs</p>	<p>J</p>  <p>40*30 8pcs</p>	<p>K</p>  <p>M4 1pc</p>	



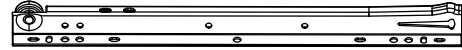
CL
300MM
x 2



CR
300MM
x 2






DL
300MM
x 2



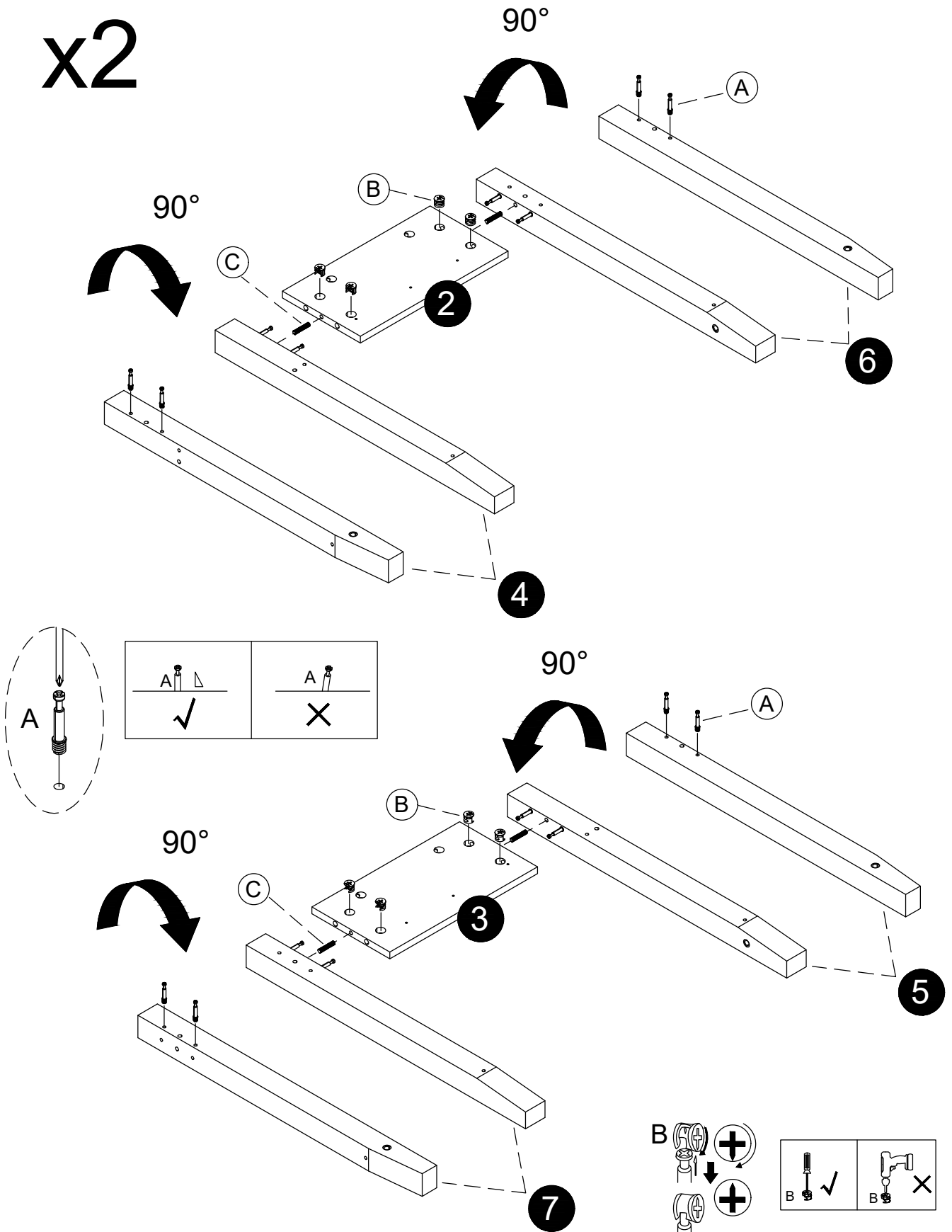
DR
300MM
x 2

HARDWARE LIST

Step 1:




<p>(A) x16  Ø6*35mm</p>	<p>(B) x16  Ø15*10mm</p>	<p>(C) x8  Ø6*30mm</p>		
--	---	---	--	--

x2

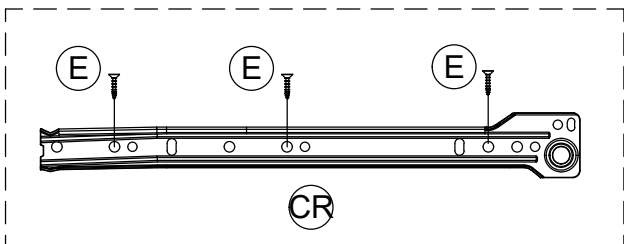
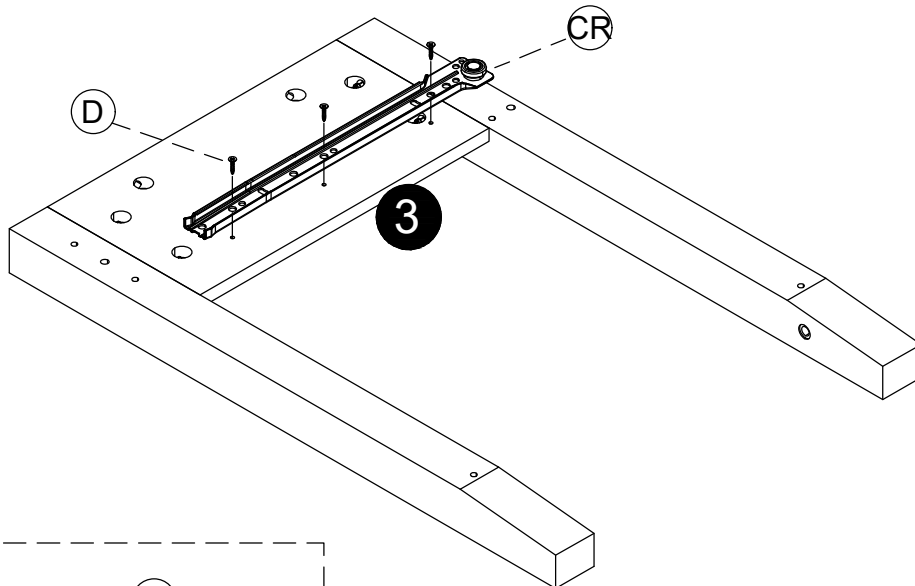
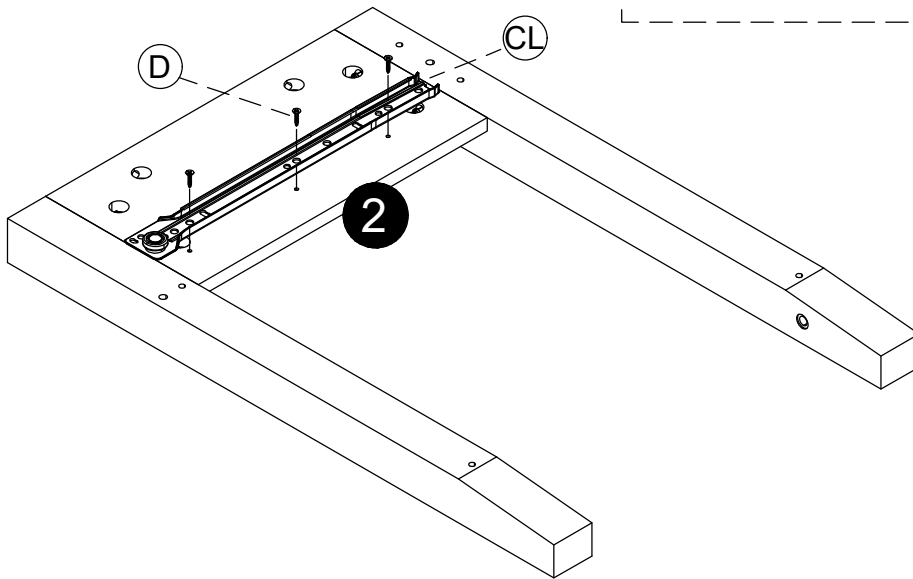
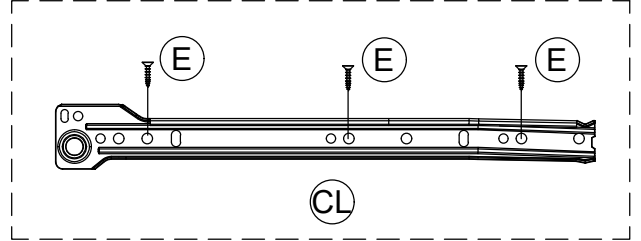


HARDWARE LIST

Step2:

 x12 Ø3.5x12mm	 x2 300mm	 x2 300mm		
--	---	---	--	--

x2

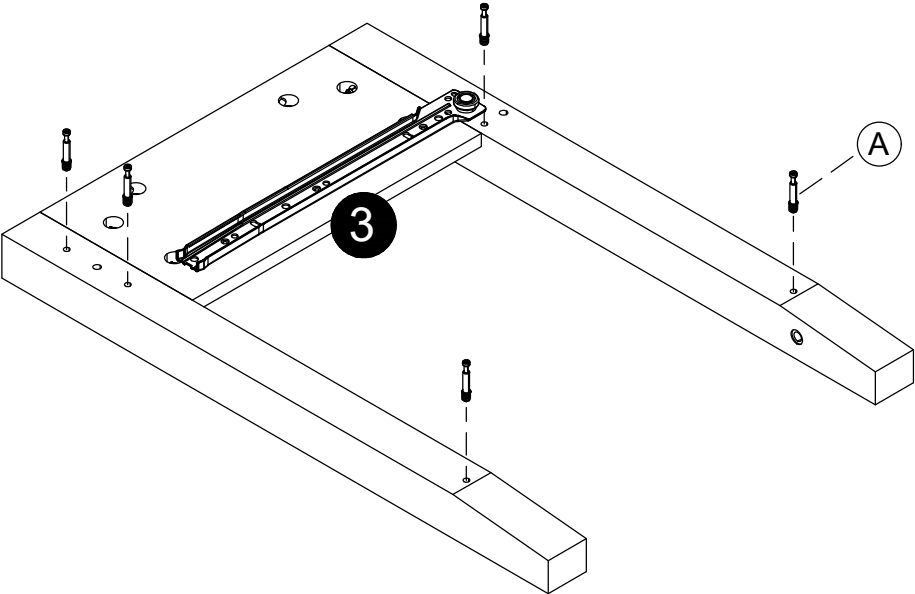
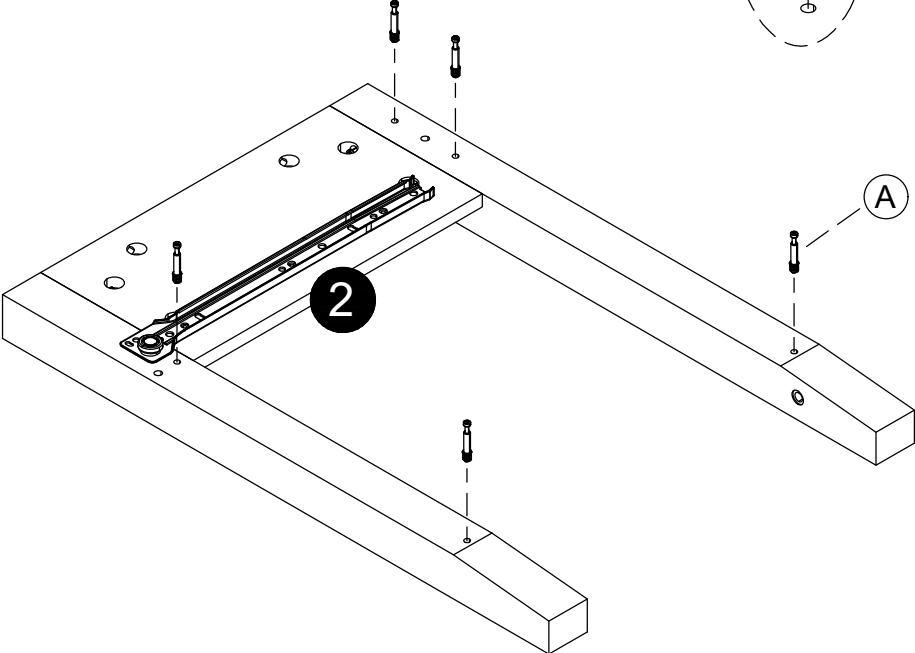
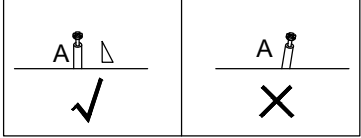
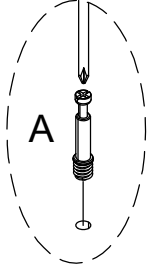


HARDWARE LIST

Step3:

(A) x20  Ø6*35mm				
---	--	--	--	--

x2

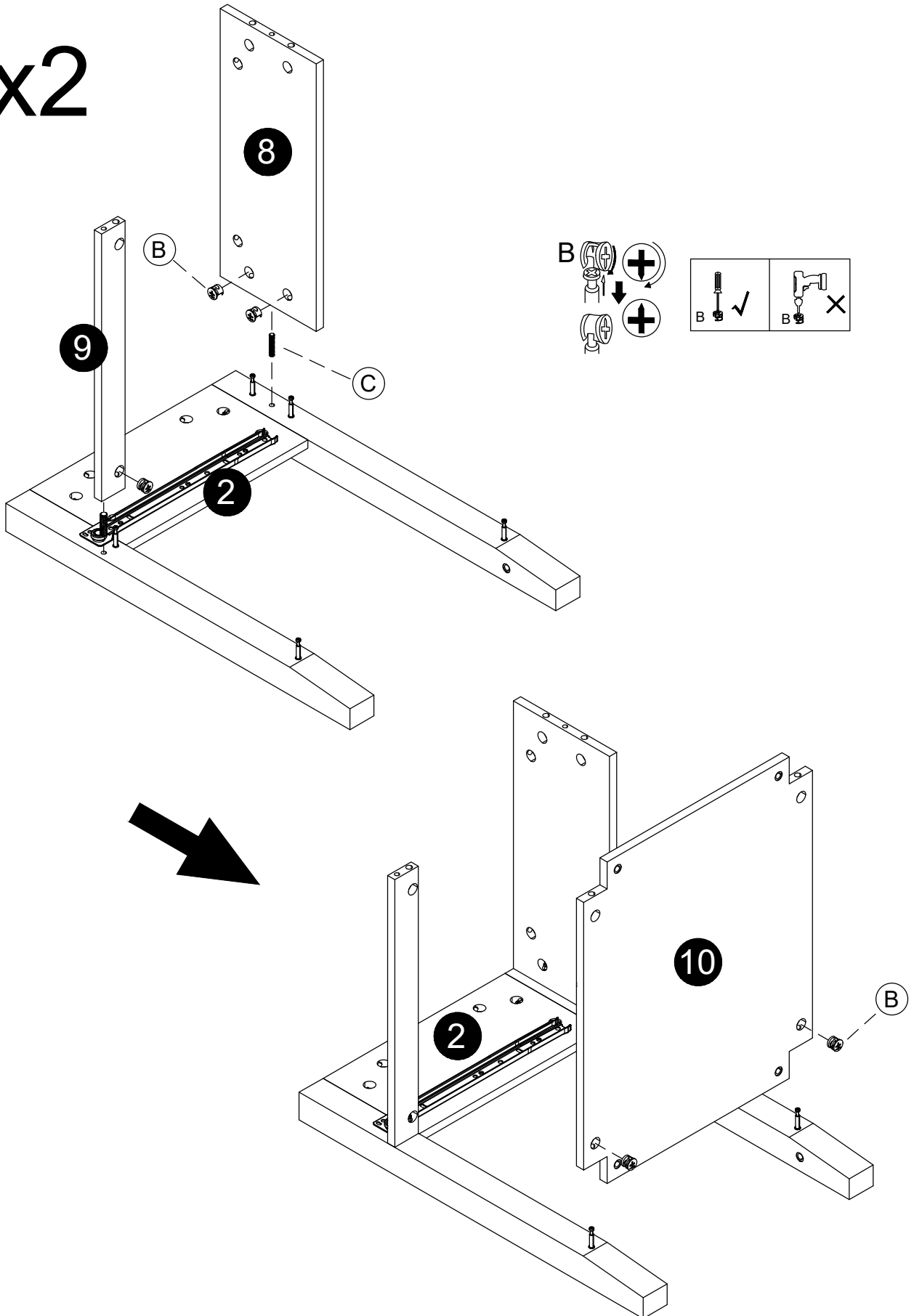


HARDWARE LIST

Step4:

(B) x10  Ø15*10mm	(C) x4  Ø6*30mm			
--	--	--	--	--

x2

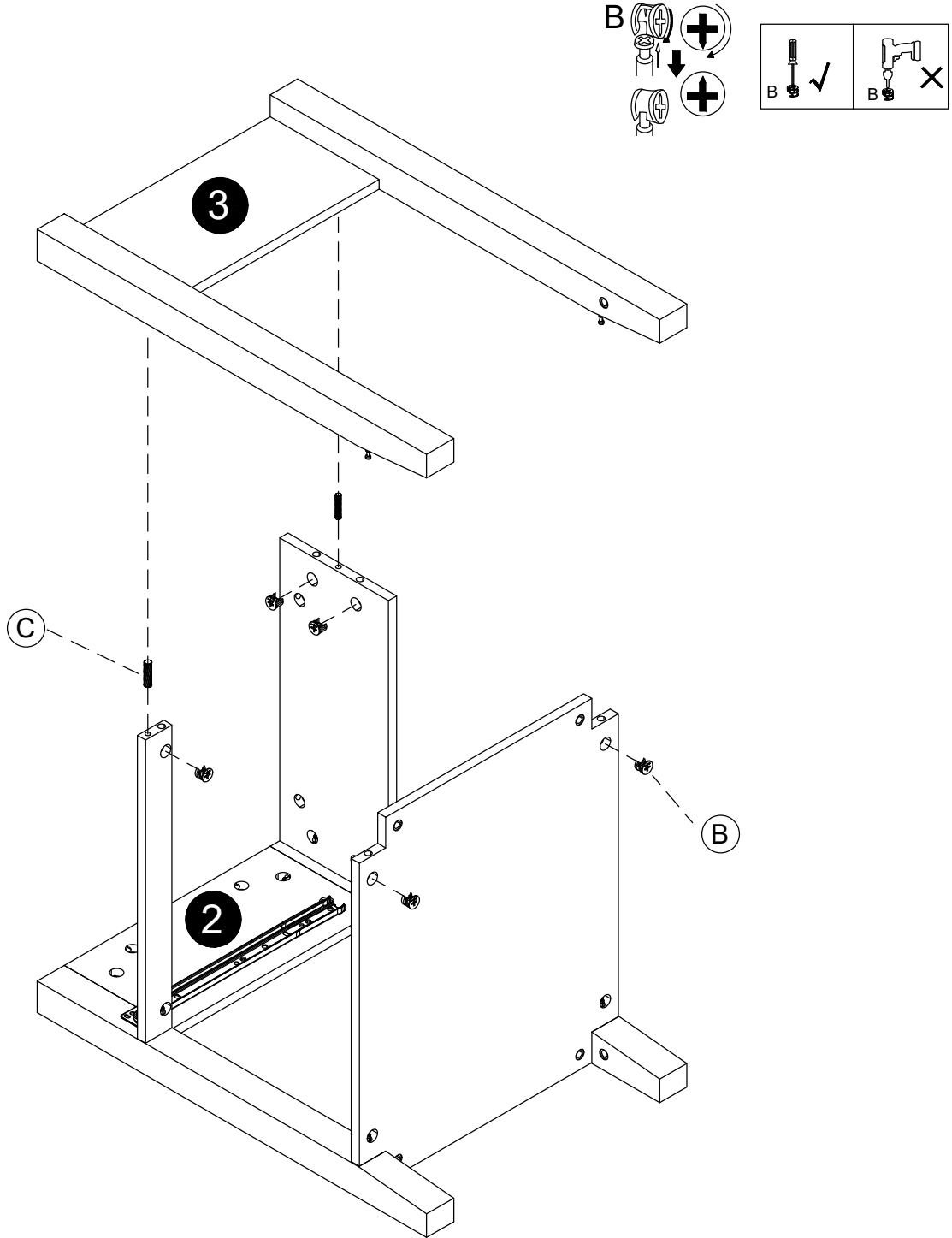


HARDWARE LIST

Step5:


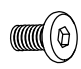
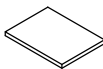

<p>(B) x10  Ø15*10mm</p>	<p>(C) x4  Ø6*30mm</p>			
---	---	--	--	--

x2

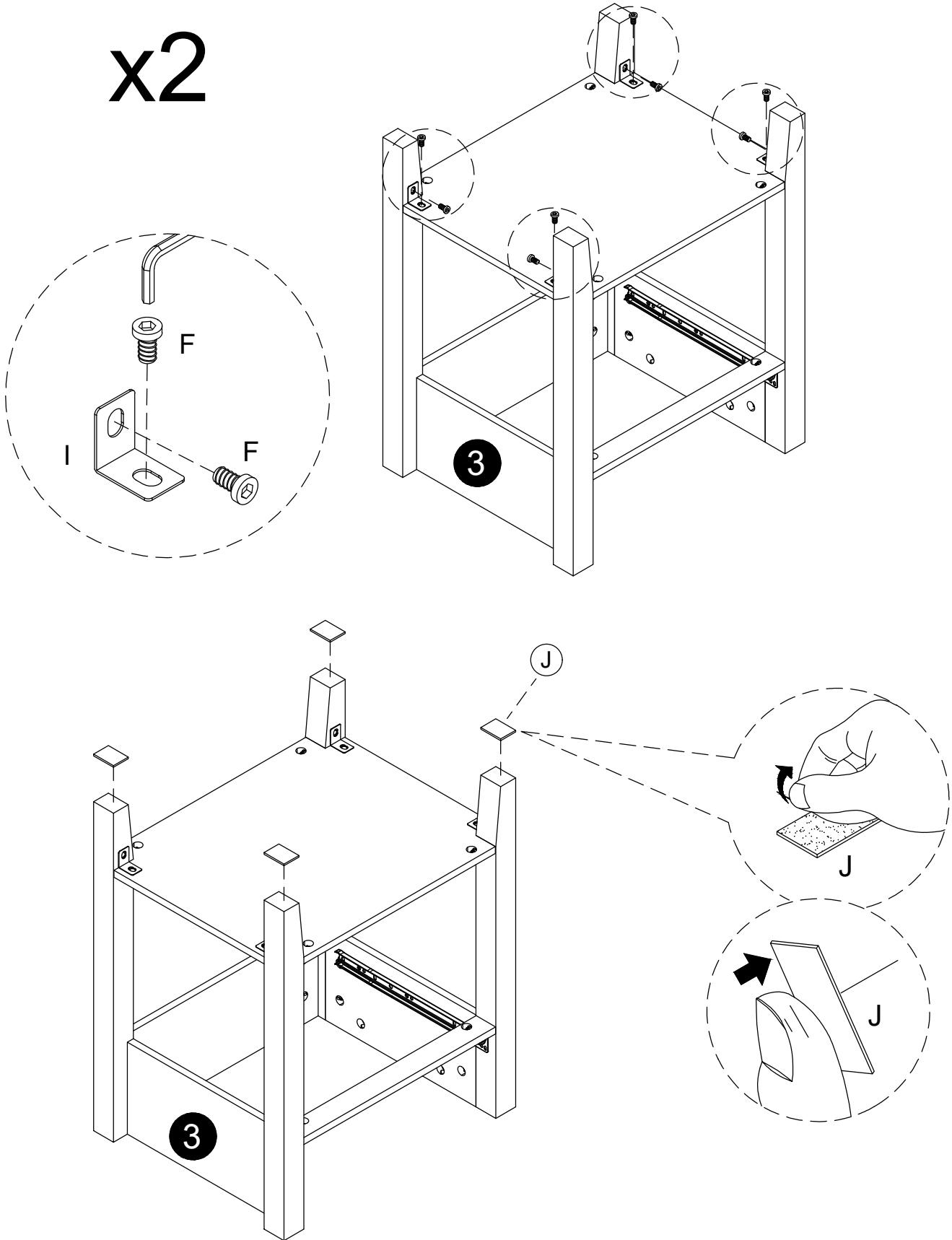


HARDWARE LIST

Step6:

Ⓡ x8 	ⓕ x16  M6*10mm	ⓙ x8  40*30	Ⓚ x1  M4	
---	---	--	---	--

x2

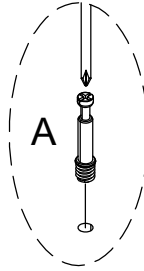





HARDWARE LIST

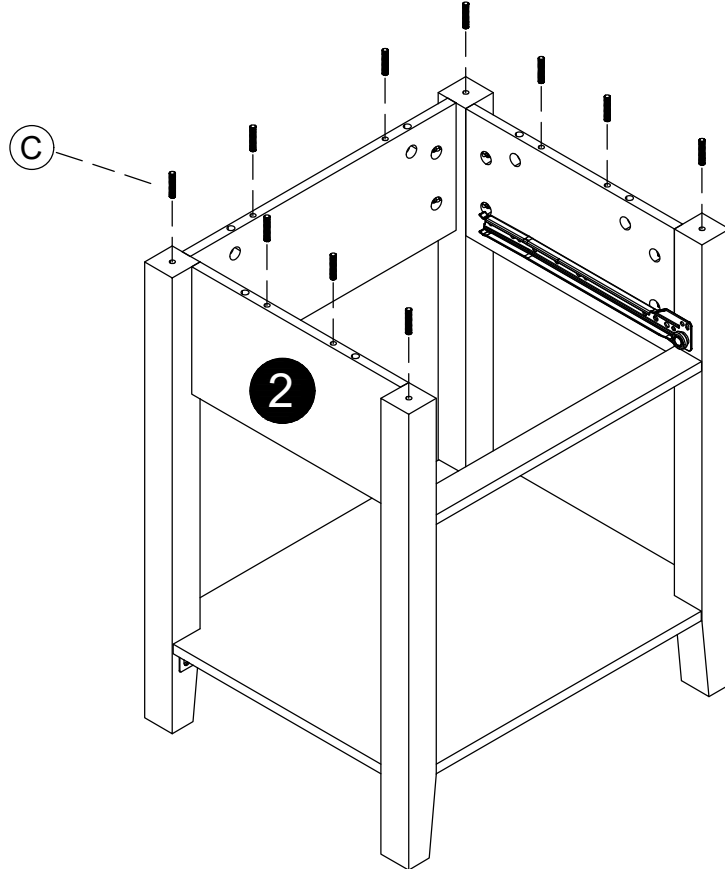
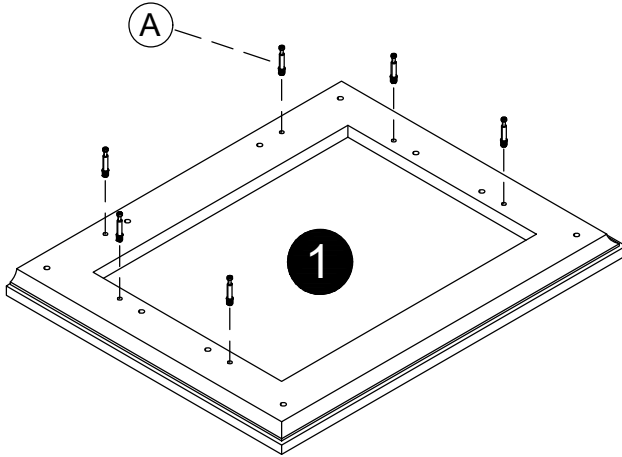
Step 7:

<p>(A) x12  Ø6*35mm</p>	<p>(C) x20  Ø6*30mm</p>			
--	--	--	--	--

x2



<p>A  </p> <p>✓</p>	<p>A </p> <p>✗</p>
---	---

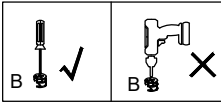
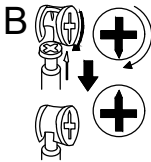
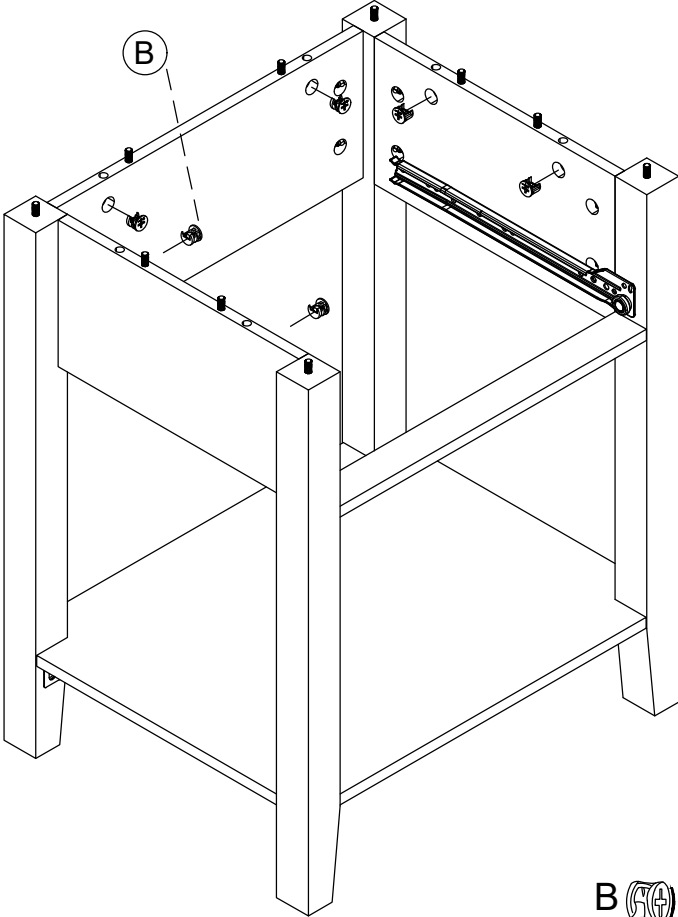
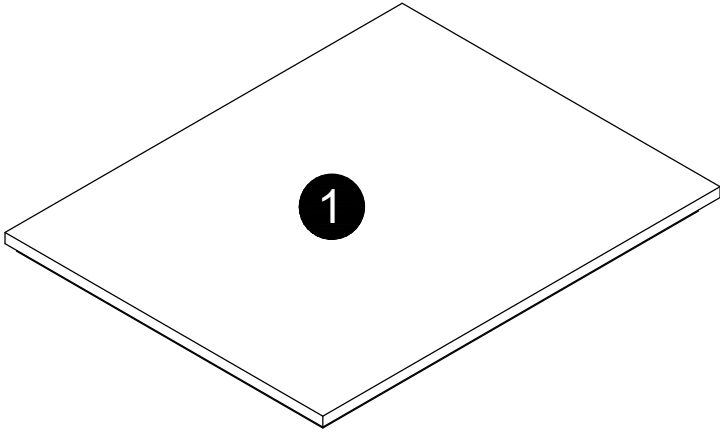


HARDWARE LIST

Step8:

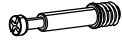




(B) x12  Ø15*10mm				
--	--	--	--	--

x2

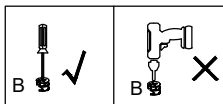
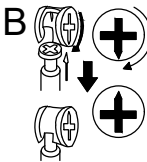
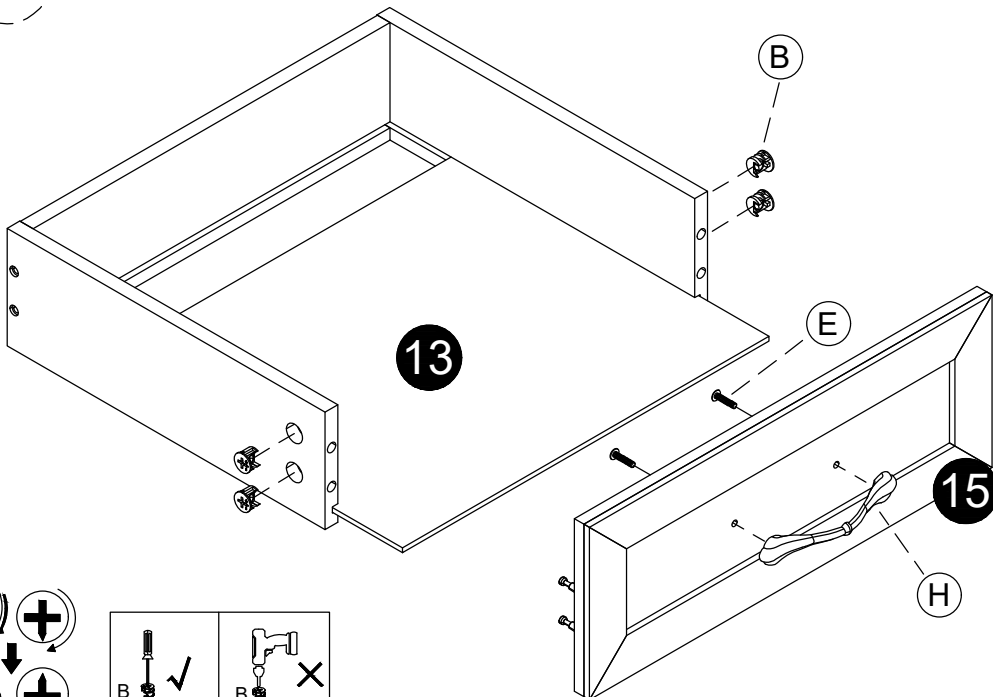
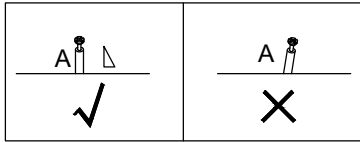
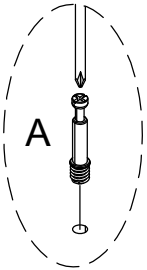
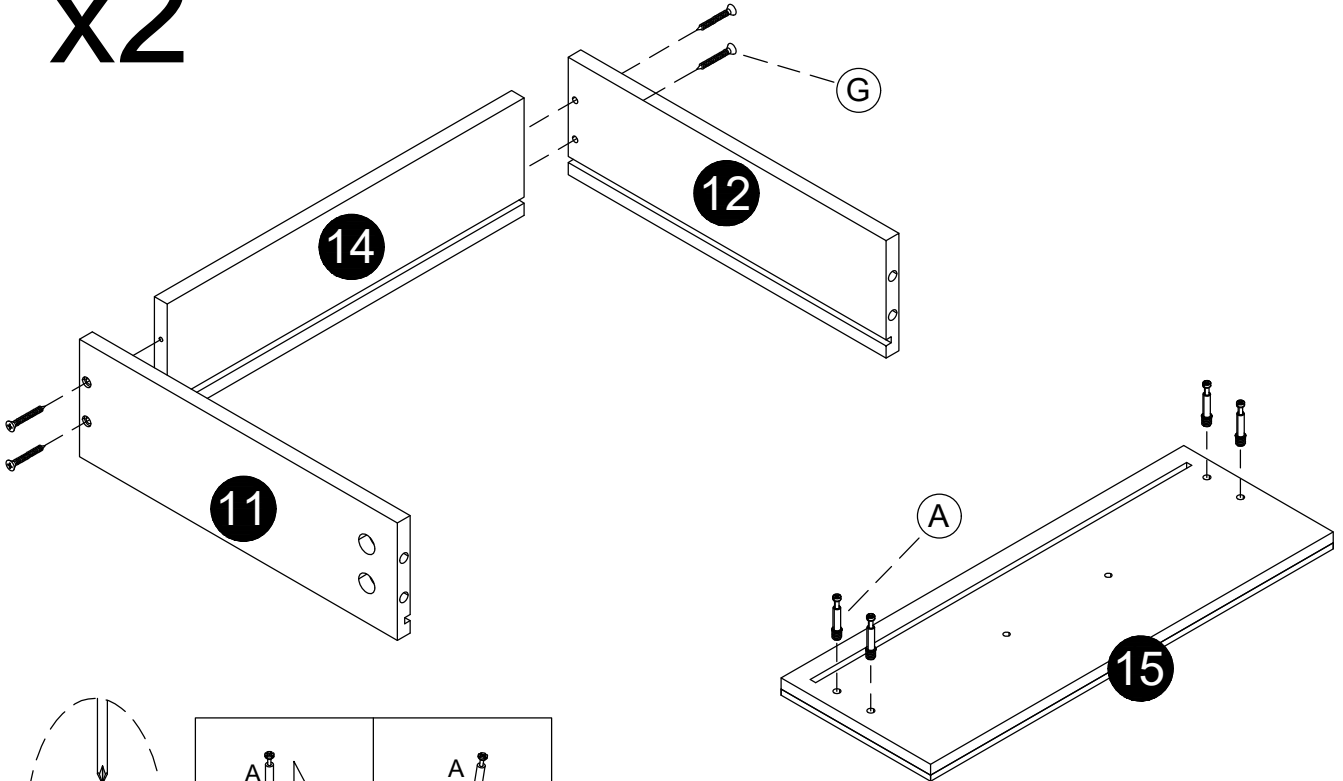


HARDWARE LIST

Step 9:




<p>(A) x8  Ø6*35mm</p>	<p>(B) x8  Ø15*10mm</p>	<p>(E) x4  M4*12mm</p>	<p>(H) x2 </p>	<p>(G) x8  Ø4*35mm</p>
---	--	---	--	---

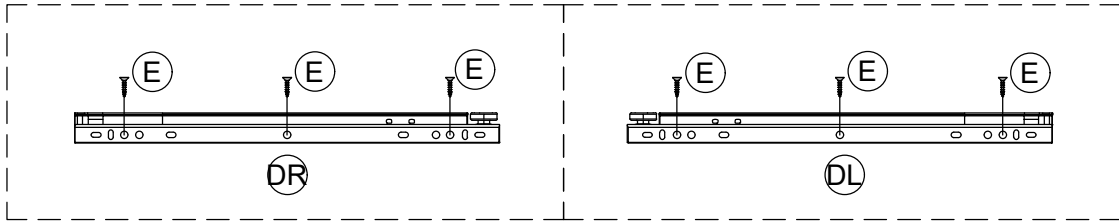
x2



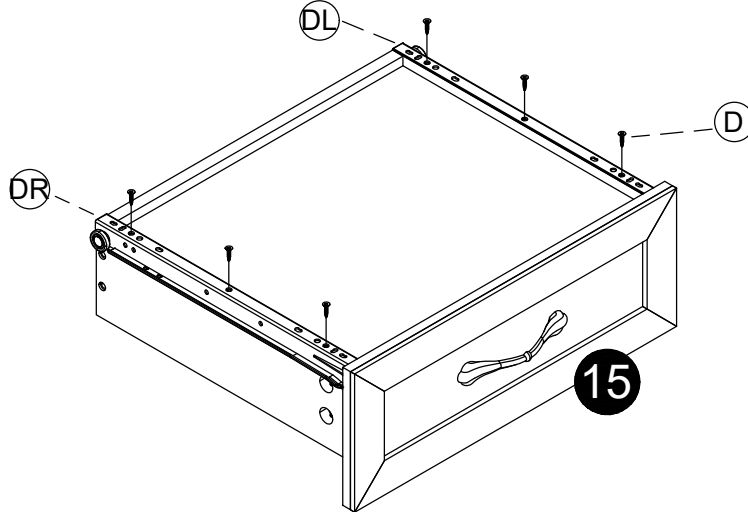
HARDWARE LIST

Step10:

 x12 Ø3.5*12mm	 x2 300mm	 x2 300mm		
--	---	---	--	--

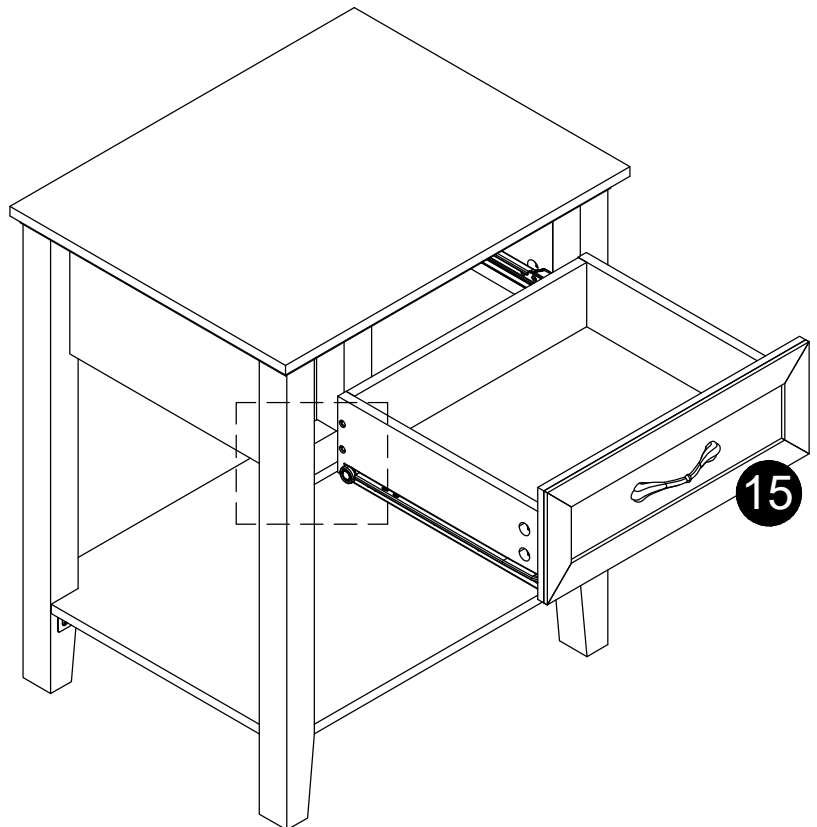
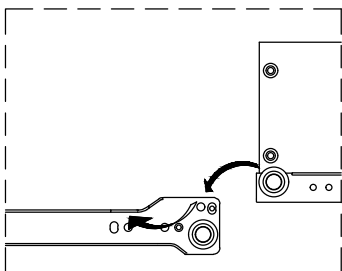


x2



Step11:

x2



Dear customer, thank you for purchasing our products! We are proud to present our customers with high quality products!



If you have any product quality or use problems, please contact our customer service by purchase platform, we will ensure your satisfaction.



If you are satisfied with our products, please share your amazing experience with us and other customers! It would be our honor to hear from you!