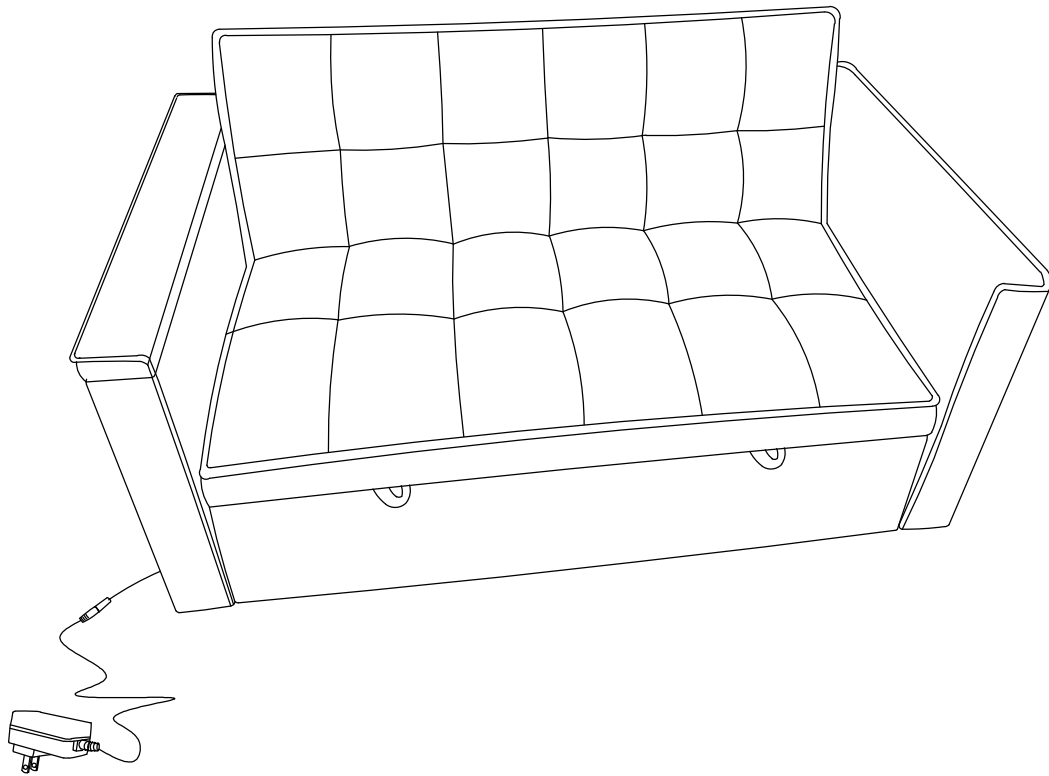
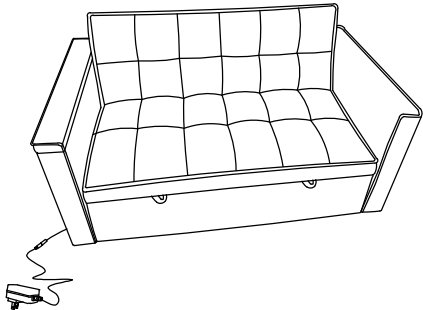


# ASSEMBLY INSTRUCTIONS







————— Thank you for choosing our product!



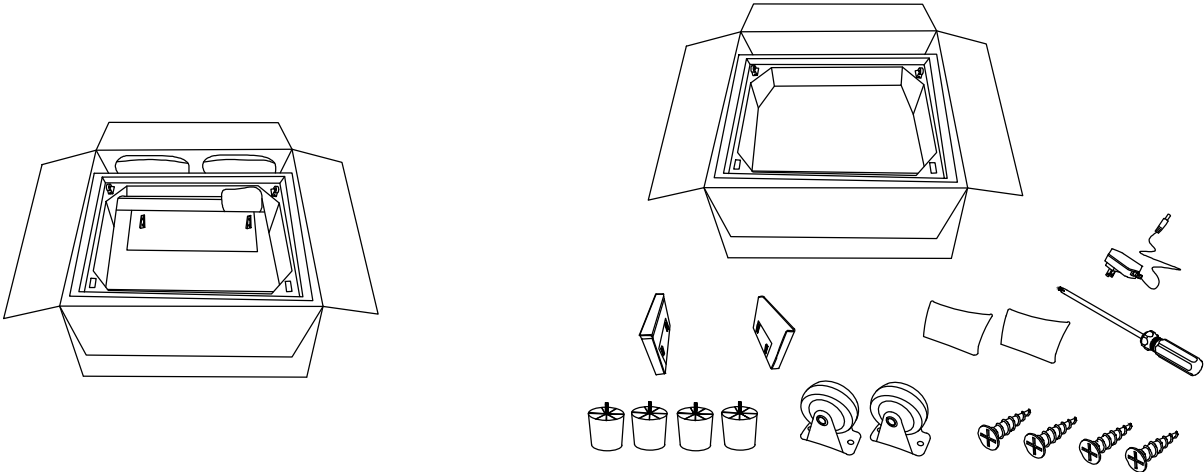
Be sure to check all packing material carefully for small parts that may have come loose inside the carton during shipment.



parts list

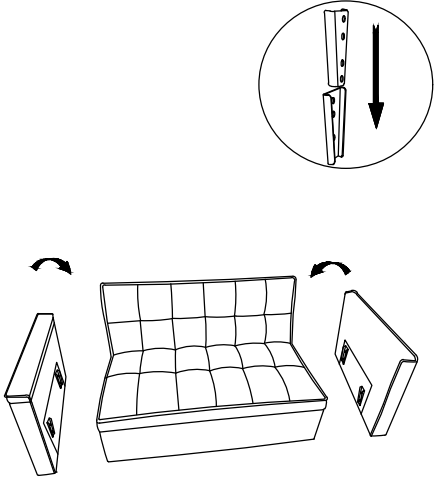
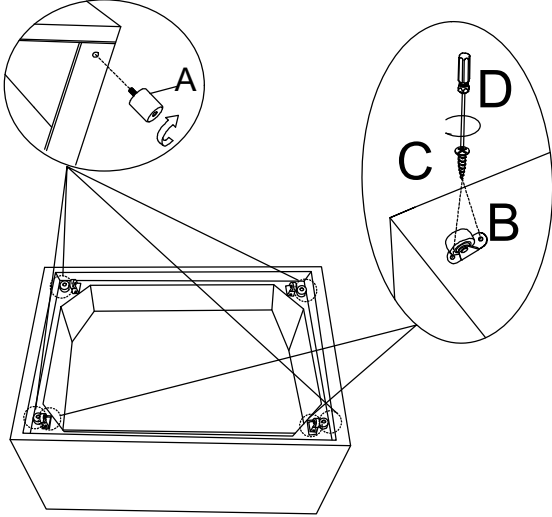
A		4pcs	B		2pcs
C		4pcs	D		1pc
E		2pcs	F		1pc

1. OPEN CARTON CAREFULLY AND TAKE OUT ALL PARTS.

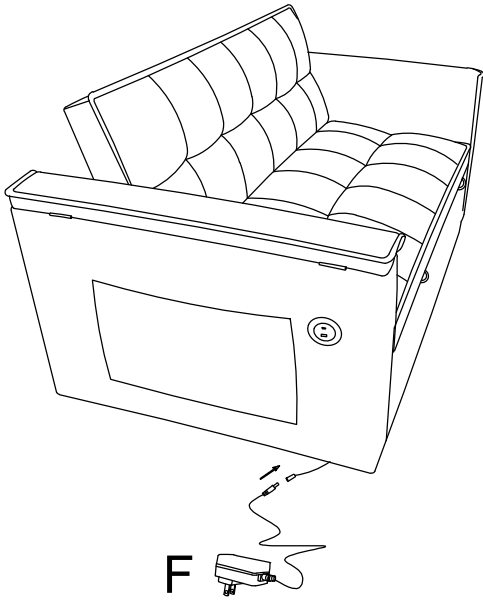


2. LEG AND WHEEL ASSEMBLY.

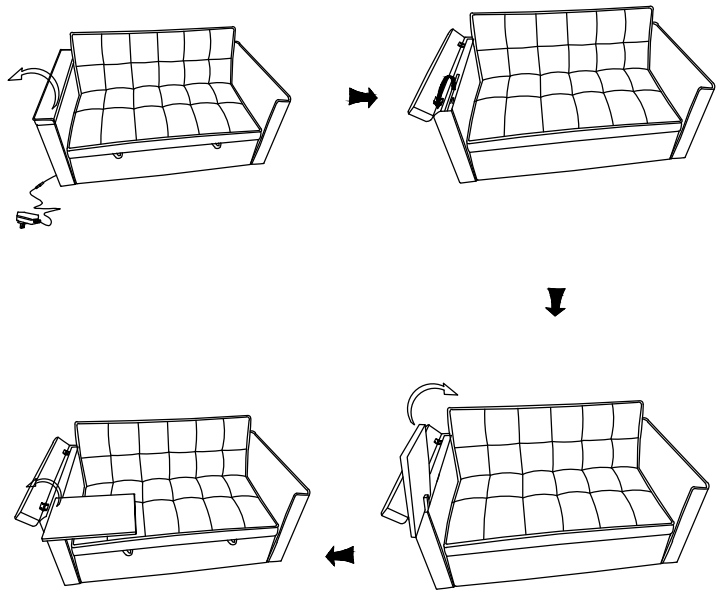
3. ARM ASSEMBLY.



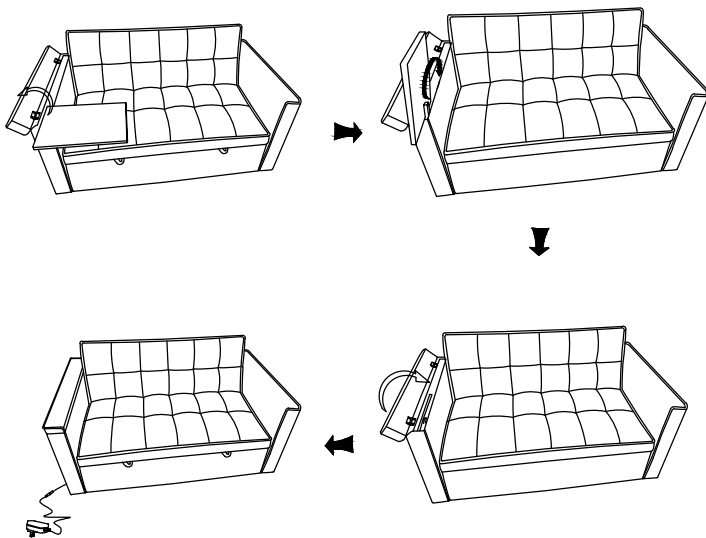
4. ASSEMBLED SOFA BED.



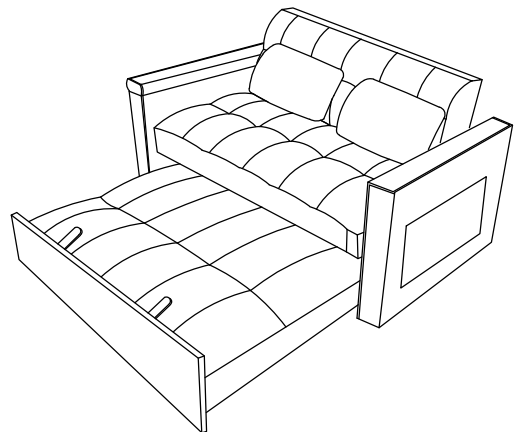
5. OPEN THE COMPUTER BOARD.



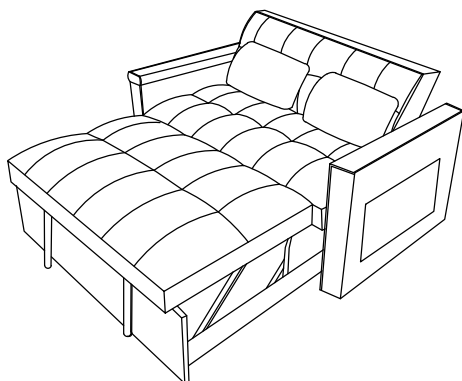
6. CLOSE THE COMPUTER BOARD.



7. PULL OUT SOFA BED.



8. BED POSITION.



9. BED POSITION..

