

ASSEMBLY INSTRUCTIONS **4 DOOR WARDROBE**

IMPORTANT : READ THESE INSTRUCTIONS CAREFULLY BEFORE ATTEMPTING TO ASSEMBLE OR USE YOUR DOOR WARDROBE.

PLEASE KEEP THESE INSTRUCTIONS FOR FUTURE REFERENCE.

ASSEMBLY:

Assembly should be carried out with this item laying flat, not standing upright.

Assemble on a soft, clean surface to prevent damages.

To erase the numbers printed on the pieces, use the rubber into the accessories pack.

HEALTH & SAFETY:

DO NOT use this wardrobe if any parts are missing, damaged or worn.

DO NOT use this wardrobe unless all fixings are secured.

Always use on a level, even surface.

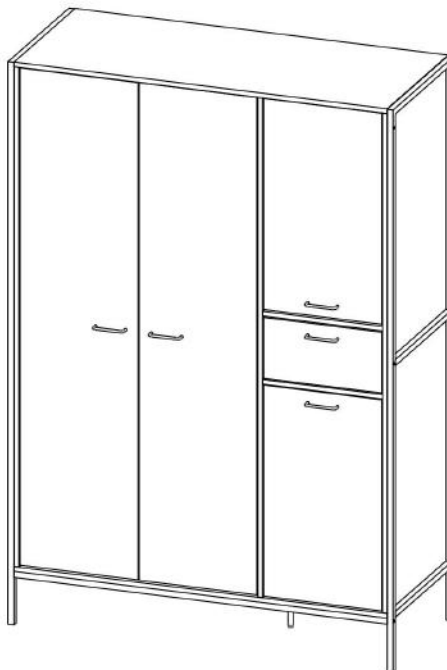
CARE & MAINTENANCE:

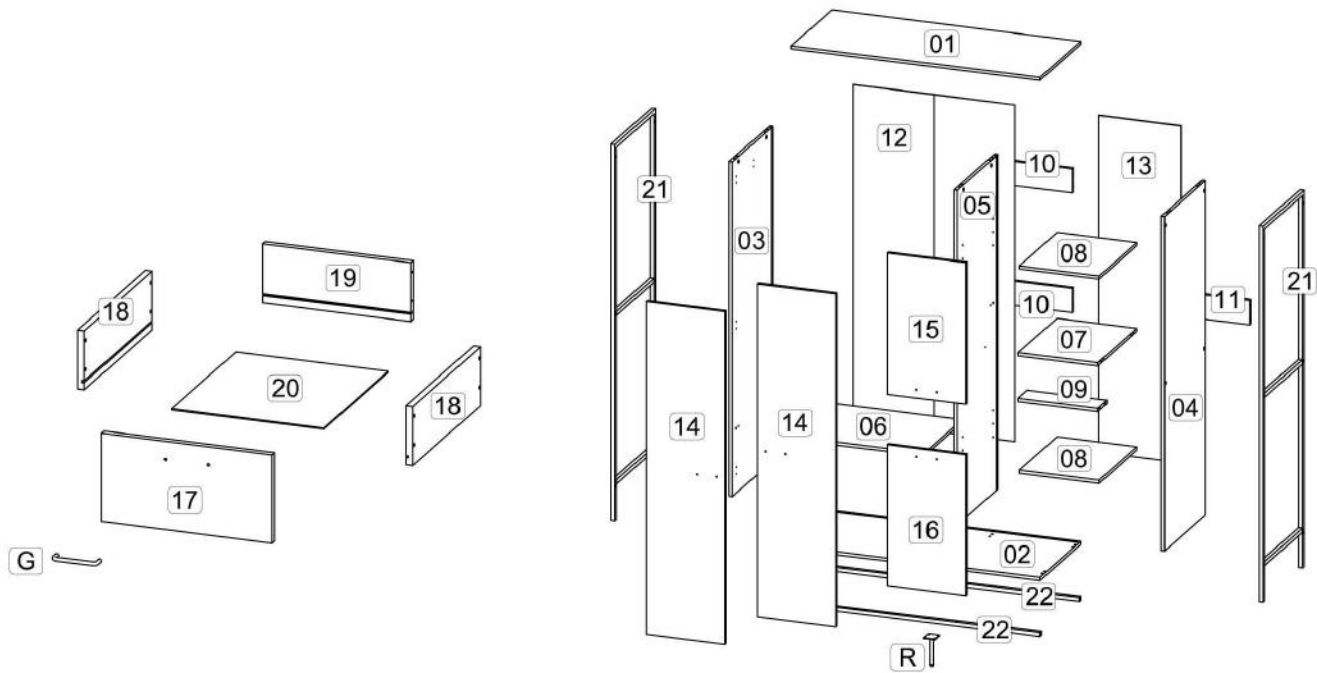
Periodically check all screws & fixings to ensure they are secure.










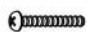













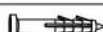
DO NOT push the wardrobe as this will cause damage.

Always lift the wardrobe with two people to repositions.

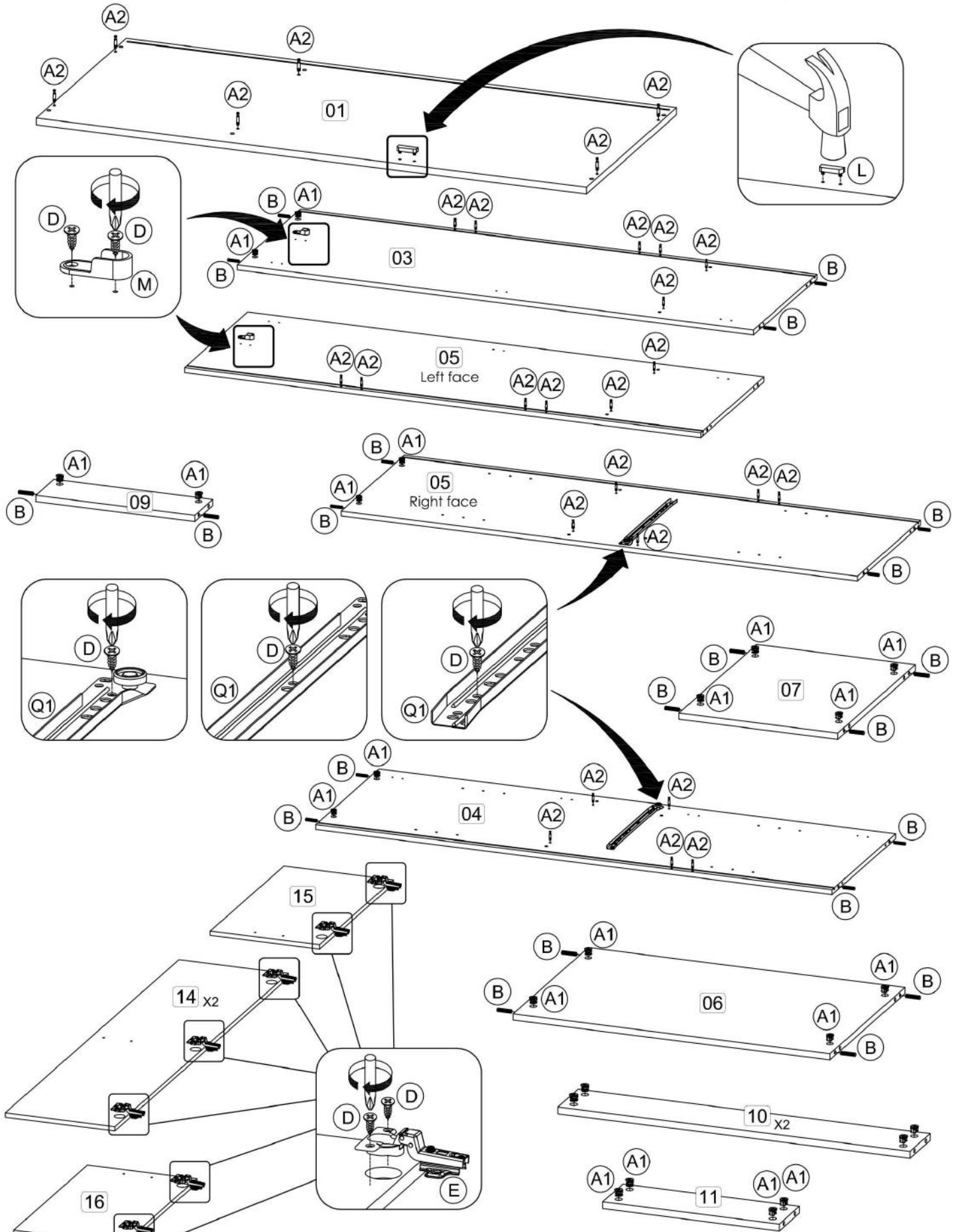
Keep any sharp objects away from the wardrobe.



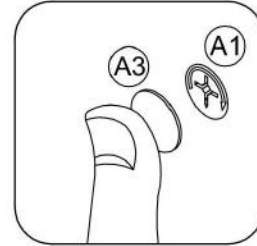
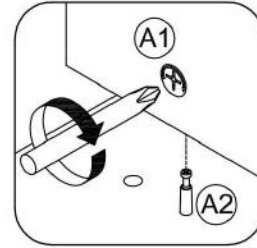
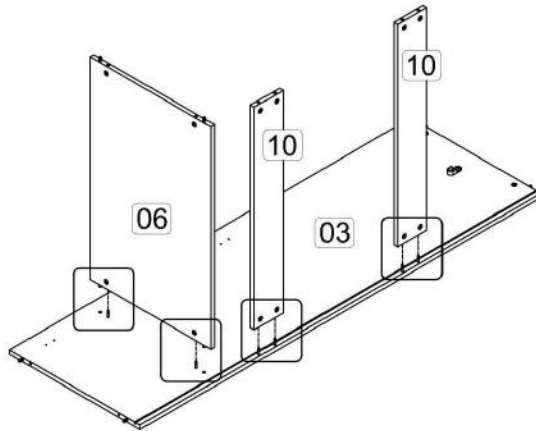


Parts List			Hardware List		
Part	Description	Qty	Part	Description	Qty
01	Top panel	1	A1	Cam lock 	28
02	Bottom panel	1	A2	Minifix screw 	28
03	Side panel (Left)	1	A3	Plastic cap 	28
04	Side panel (Right)	1	B	M8 x 30mm Wood Dowel 	22
05	Center panel	1	C	M6 x 50mm CSK Cap Wood screw 	6
06	Middle panel (Left)	1	D	M3.5 x 16mm C.B Screw 	62
07	Middle panel (Right)	1	E	7/8 Hinges 	10
08	Shelf panel	2	F	Allen key M4 	1
09	Middle bone	1	G	Handle 100.96. BLM 	5
10	Back bone (Left)	2	H	Handle screw M4 x 19mm 	10
11	Back bone (Right)	1	I	JCBC screw M6 x 30mm 	16
12	Back panel (Left)	1	J	JCBC screw M6 x 40mm 	4
13	Back panel (Right)	1	K1	Stud 192 	10
14	Door panel (Left & Right)	2	K2	Stud 192 screw 	10
15	Door panel (Up)	1	L	Drawer stopper (2 Pin) 	1
16	Door panel (Down)	1	M	433 Oval tube bracket 	2
17	Drawer front	1	N	433 Oval paip 	1
18	Drawer side	2	O	M4 x 38mm C.B Screw 	10
19	Drawer back	1	P	Metal shelf support 	8
20	Drawer bottom	1	Q1	16" Drawer slide (Left / Right) 	2
21	Metal Side (Left & Right)	2	Q2	16" Drawer slide (Left / Right) 	2
22	Metal middle	2	R	Metal leg 50 x 50 x H165mm (Center) 	1
** You will need a small mallet and a screwdriver for assembly. ** Some screws and wooden dowel may remain.			S	8" x 1" PP tape 	2
			T	Wall plug 	2

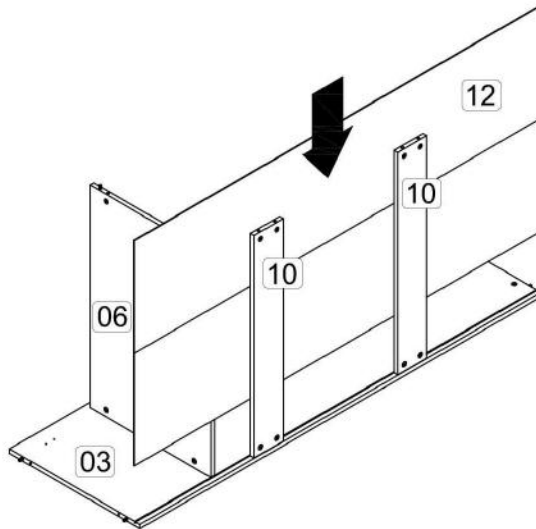
Step 1: Prepare these parts for assembly using hardware parts A1, A2, B, D, E, L, M and Q1.
DO NOT use any power tools as this may damage the frame and will invalidate any claim.



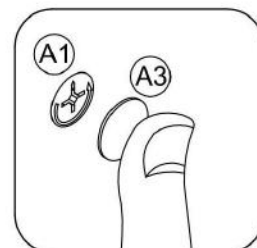
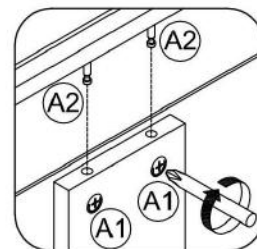
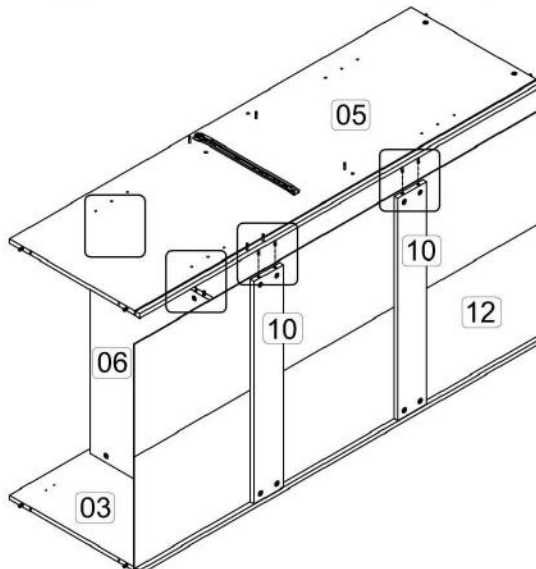
Step 2: Attach the panel (6) and (10) to panel (3) using hardware A1 and A3 with a screwdriver (not provided).
DO NOT use any power tools as this may damage the frame and will invalidate any claim.



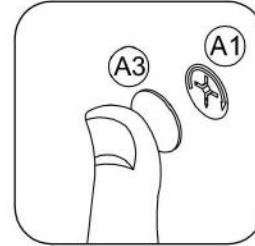
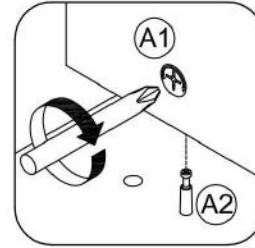
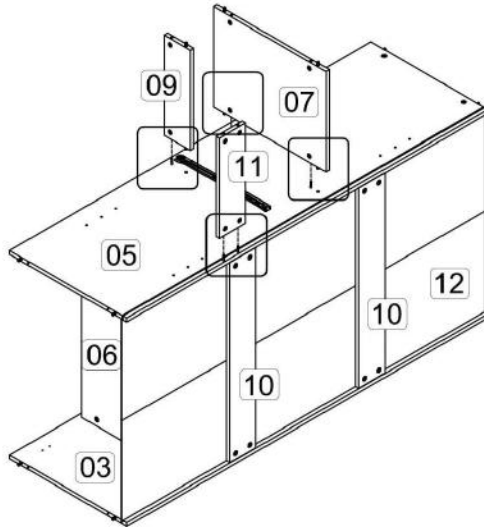
Step 3: Insert the panel (12) along the slot.
DO NOT use any power tools as this may damage the frame and will invalidate any claim.



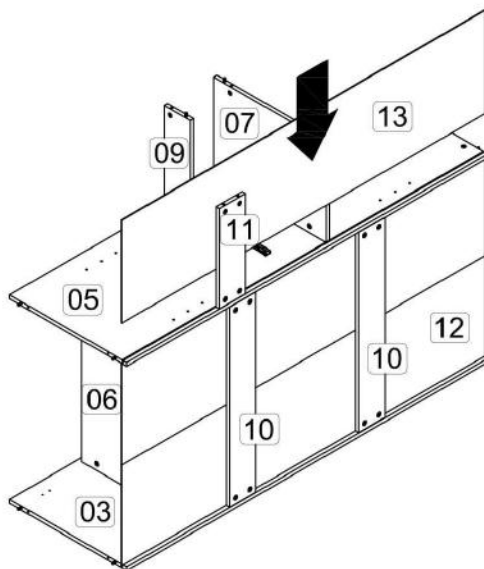
Step 4: Attach the panel (6) and (10) to panel (5) using hardware A1 and A3 with a screwdriver (not provided).
DO NOT use any power tools as this may damage the frame and will invalidate any claim.



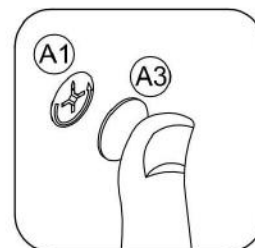
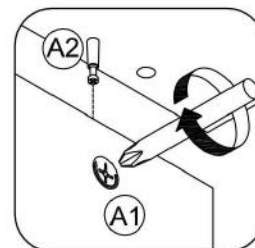
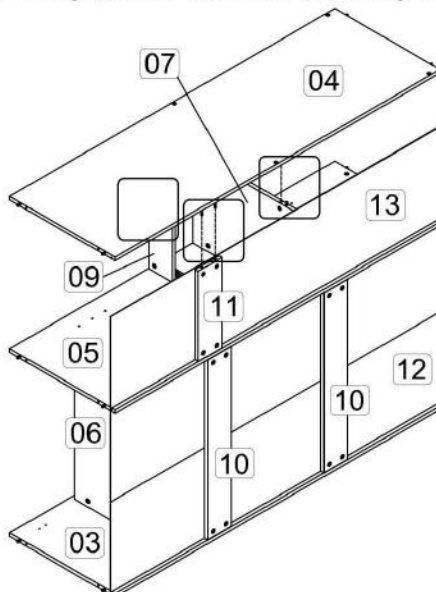
Step 5: Attach the panel (7), (9) and (11) to panel (5) using hardware A1 and A3 with a screwdriver (not provided).
DO NOT use any power tools as this may damage the frame and will invalidate any claim.



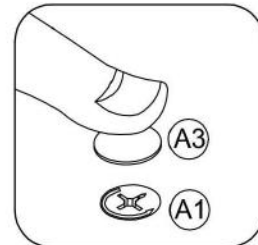
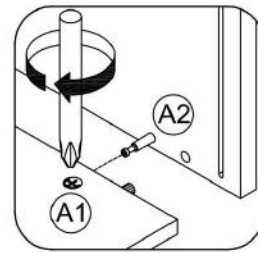
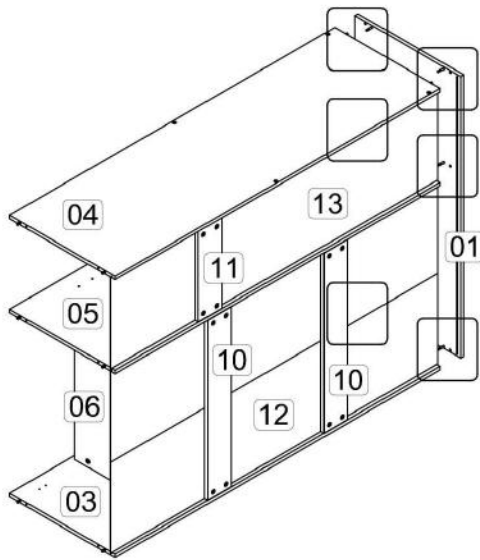
Step 6: Insert the panel (13) along the slot.
DO NOT use any power tools as this may damage the frame and will invalidate any claim.



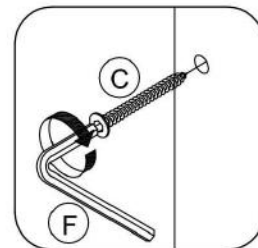
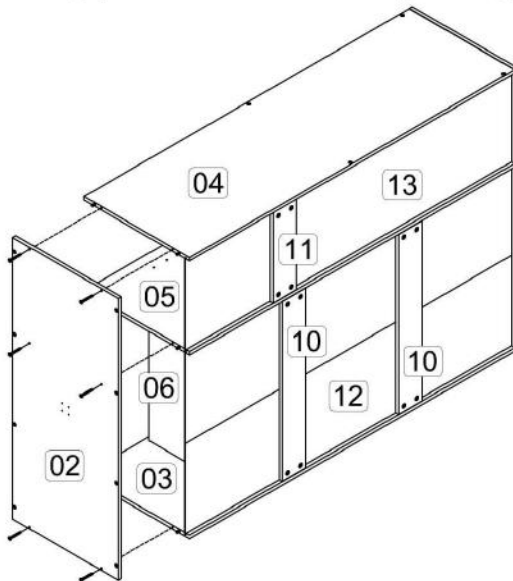
Step 7: Attach the panel (7), (9) and (11) to panel (4) using hardware A1 and A3 with a screwdriver (not provided).
DO NOT use any power tools as this may damage the frame and will invalidate any claim.



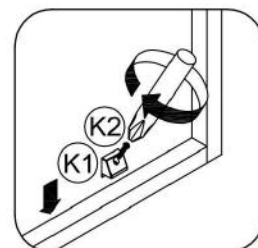
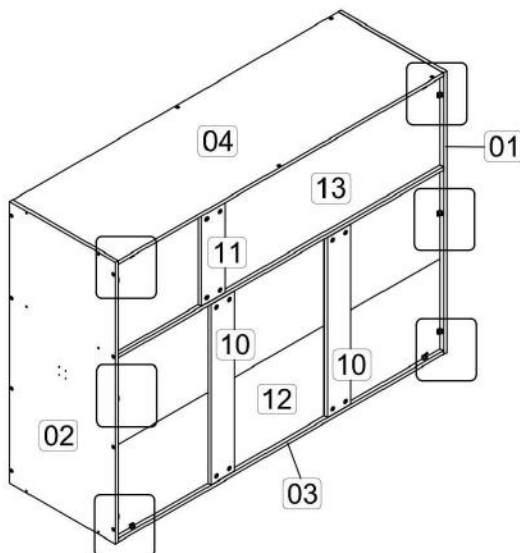
Step 8: Attach the panel (3), (4) and (5) to panel (1) using hardware A1 and A3 with a screwdriver (not provided).
DO NOT use any power tools as this may damage the frame and will invalidate any claim.



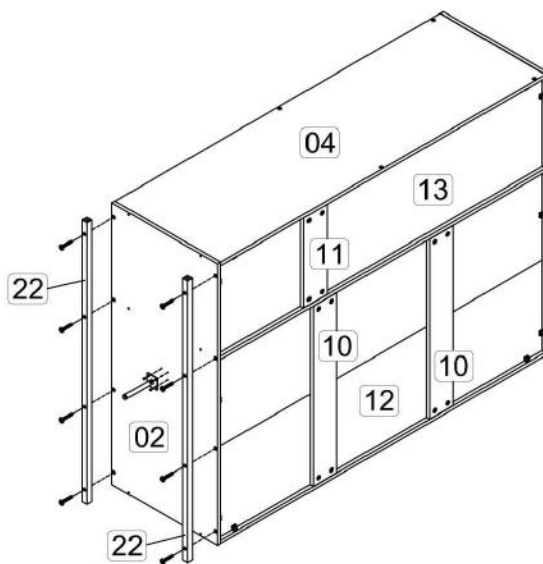
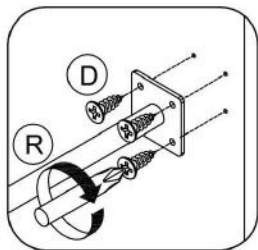
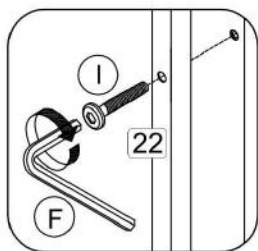
Step 9: Attach the panel (2) to panel (3), (4) and (5) using hardware C and F.
DO NOT use any power tools as this may damage the frame and will invalidate any claim.



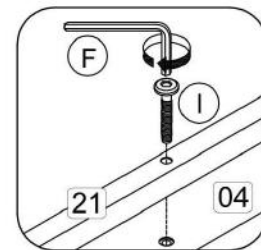
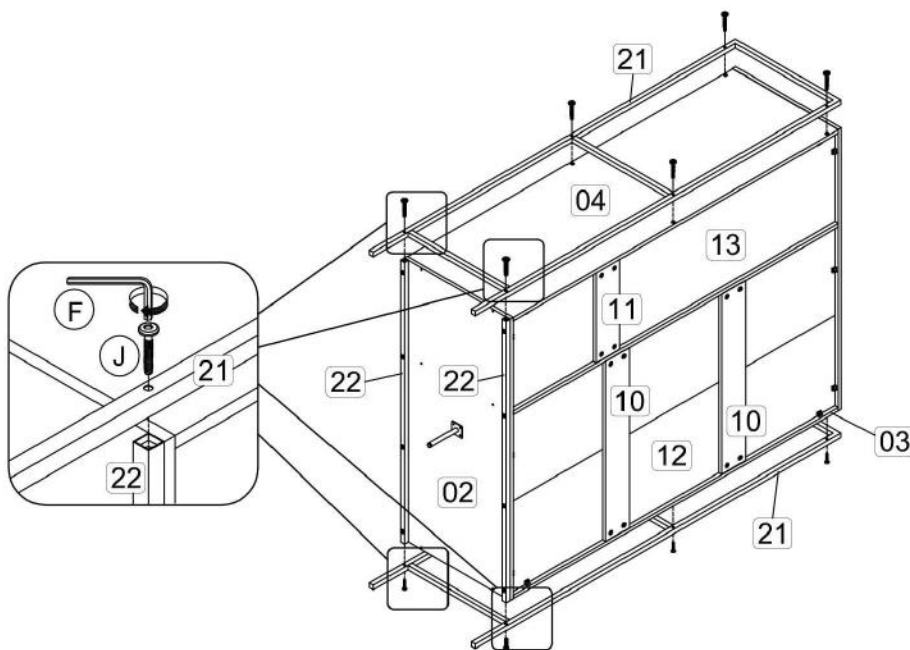
Step 10: Attach hardware K1 into panel (1), (2), (3) and (4) using hardware K2 with a screwdriver (not provided).
DO NOT use any power tools as this may damage the frame and will invalidate any claim.



Step 11: Attach the Metal Middle (22) to panel (2) using hardware I and F.
 Assemble hardware R onto panel (2) using hardware D with a screwdriver (not provided).
DO NOT use any power tools as this may damage the frame and will invalidate any claim.



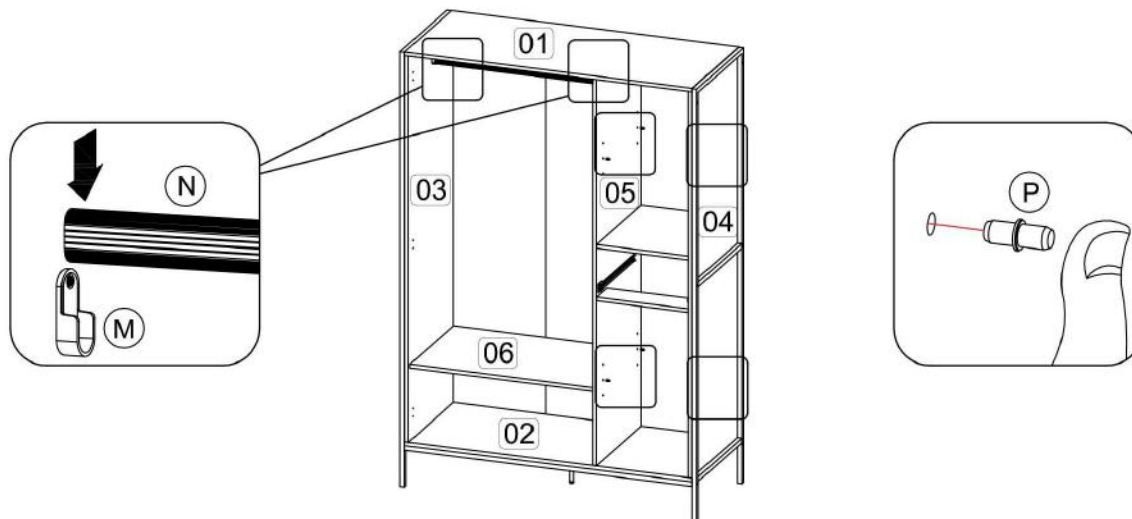
Step 12: Attach the Metal Side (21) to panel (3) and (4) using hardware I and F.
 Attach the Metal Side (21) to Metal Middle (22) using hardware J and F.
DO NOT use any power tools as this may damage the frame and will invalidate any claim.



Step 13: Attach hardware N into hardware M.

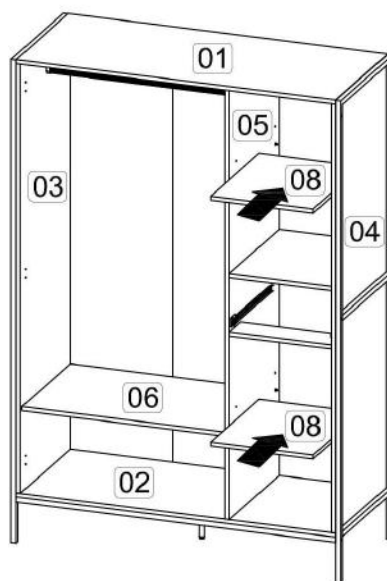
Insert hardware P into mounting positions on panel (4) and (5).

DO NOT use any power tools as this may damage the frame and will invalidate any claim.



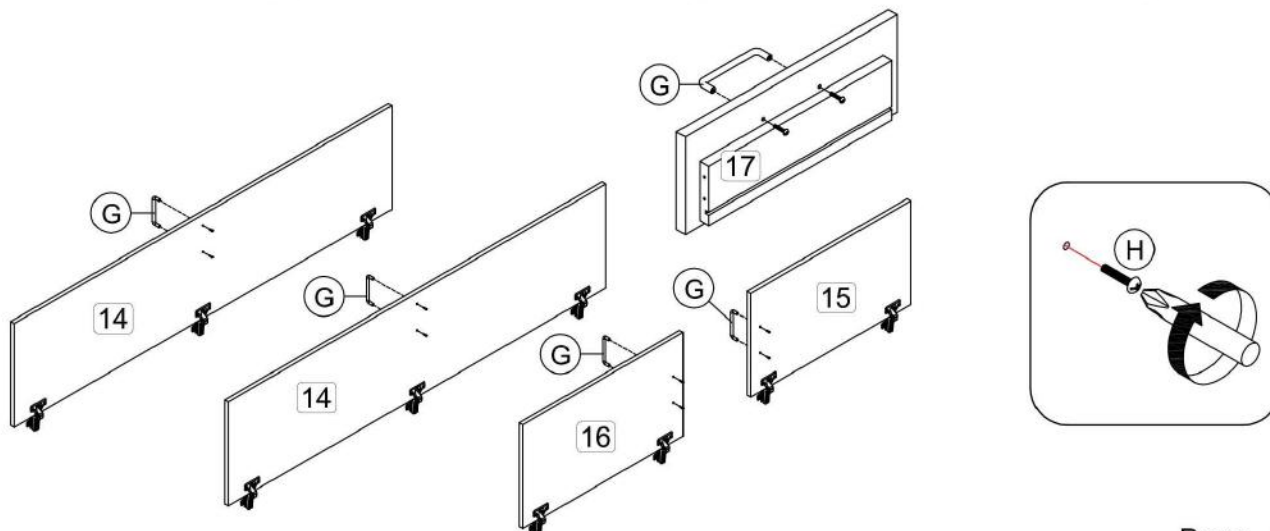
Step 14: Assemble the panel (8) between panel (4) and (5).

DO NOT use any power tools as this may damage the frame and will invalidate any claim.

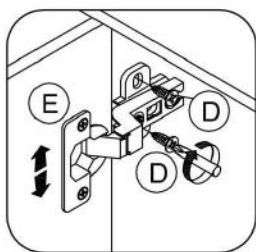


Step 15: Fix hardware G onto panel (14), (15), (16) and (17) using hardware H with a screwdriver (not provided).

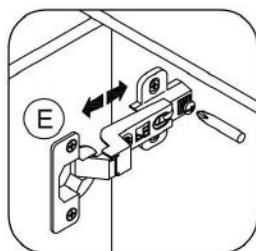
DO NOT use any power tools as this may damage the frame and will invalidate any claim.



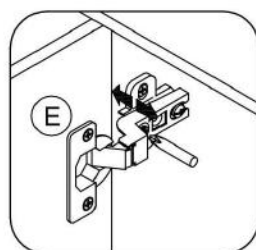
Step 16: Attach panel (14) to panel (3) and (5) using hardware D with a screwdriver (not provided). Attach panel (15) and (16) to panel (4) using hardware D with a screwdriver (not provided). **DO NOT use any power tools as this may damage the frame and will invalidate any claim.**



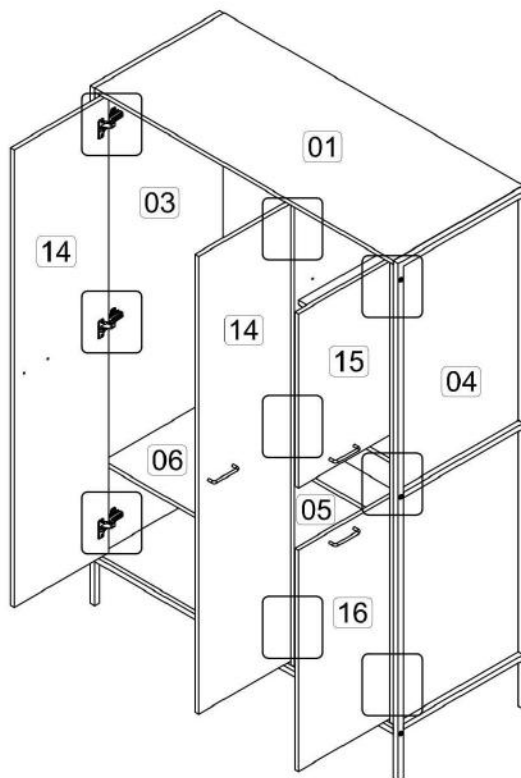
Vertical Adjustment



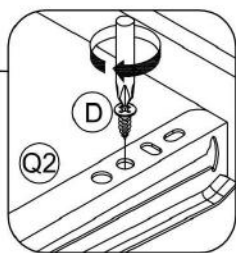
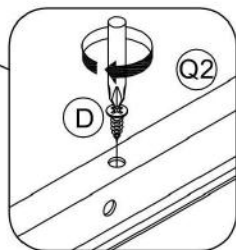
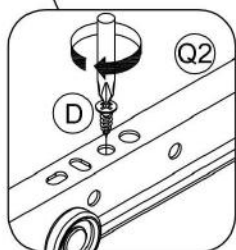
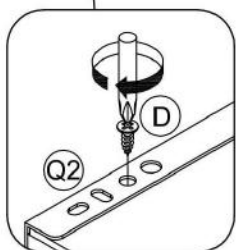
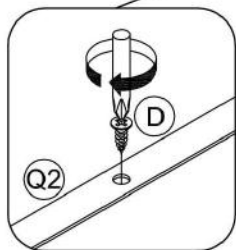
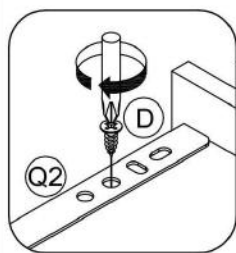
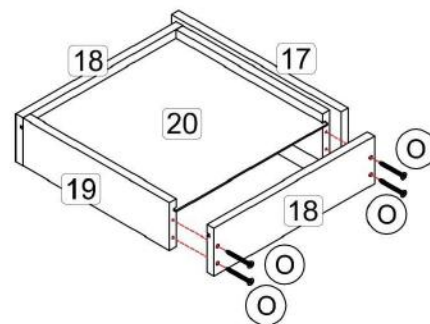
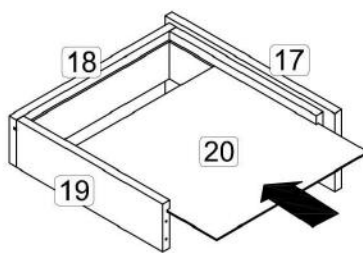
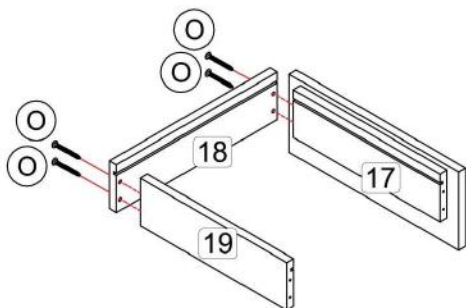
Horizontal Adjustment



Depth Adjustment

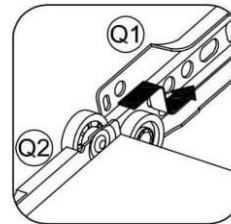
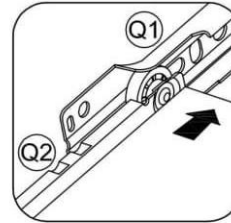
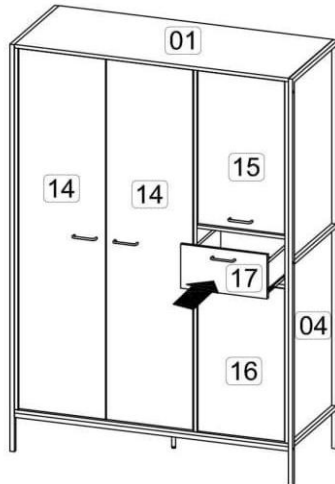


Step 17: Assemble the drawer components using hardware D, O and Q2. **DO NOT use any power tools as this may damage the frame and will invalidate any claim.**



Step 18: Assemble the drawer in place along the drawer slides.

DO NOT use any power tools as this may damage the frame and will invalidate any claim.

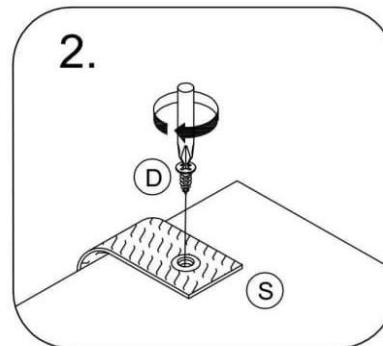
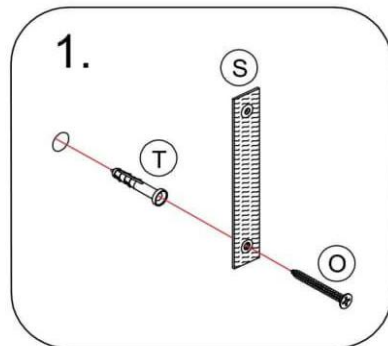


Step 19: To secure the item to the wall use hardware O, S and T using a screwdriver (not provided).

Then attach hardware part S to the panel (1) using hardware D with a screwdriver (not provided).

DO NOT use any power tools as this may damage the frame and will invalidate any claim.

Birlea Furniture advise you use the wall straps provided to further enhance the safety of this product.



Additional Information:

- For complete product information, images and dimension diagrams please visit the website
- If you have any issues with your item please contact the retailer directly you purchased it from who will be able to resolve any issues with us.
- Why don't you send us photos of your assembled furniture to be shared in our feature on instagram.