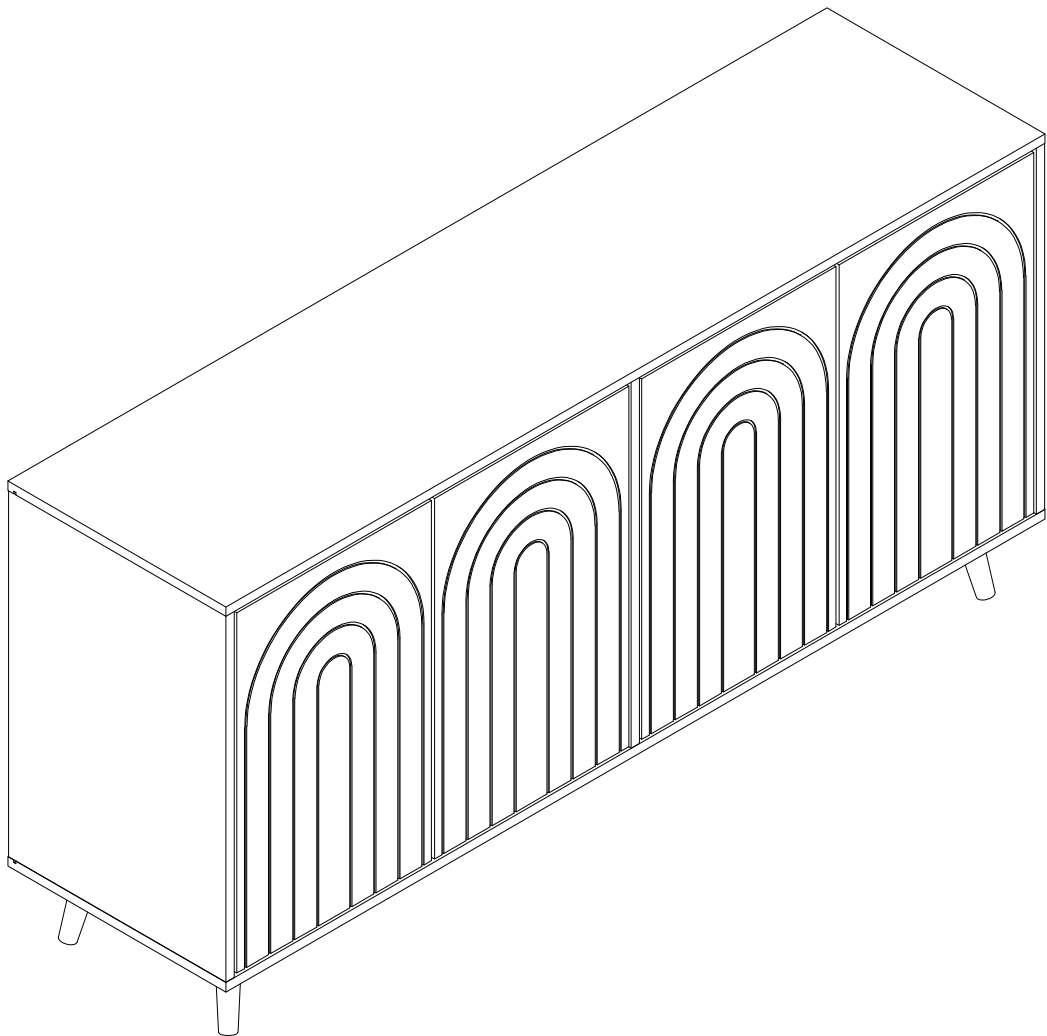


Installation Instruction



Assembling

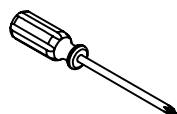
Estimated time for assembly



45 : 00

What you need

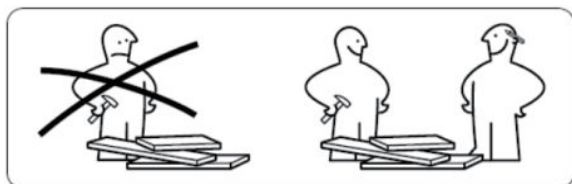
- Use the packaging carton as a working surface to prevent product damage during assembly
- Phillips head screwdriver



Weight Limitation



100 | **35**
lbs table top lbs per

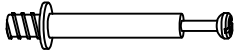


What' included

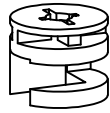
Code	Description	Qty
A	Cam Bolt M6X35MM	14
B	Cam Lock 15X10MM	14
C	Wooden Dowel M8X30MM	12
D	Screw M4X40MM	8
E	Screw M3.5X14MM	30
F	Shelf Holder	8
G	Metal connector	2
H	Screw M3.5X14MM	72
I	Adjustable foot	2
J	The back button	16
K	Anchor	2
L	MATS	4
M	Five hole iron sheet	4
N	Hole position sticker	14
O	Hinge	8
P	Door Rebound Device Holder	4
Q	Door Rebound Device	4
R	Four hole iron sheet	2

The Hardwares

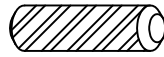
Ⓐ



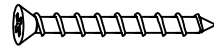
Ⓑ



Ⓒ



Ⓓ



Ⓔ



Ⓕ



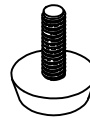
Ⓖ



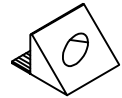
Ⓕ



Ⓖ



Ⓖ



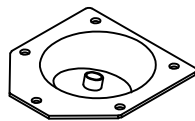
Ⓖ



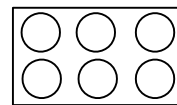
Ⓖ



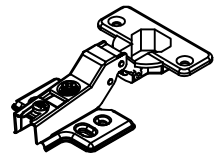
Ⓖ



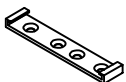
Ⓖ



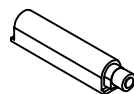
Ⓖ



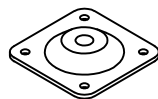
Ⓖ



Ⓖ



Ⓖ



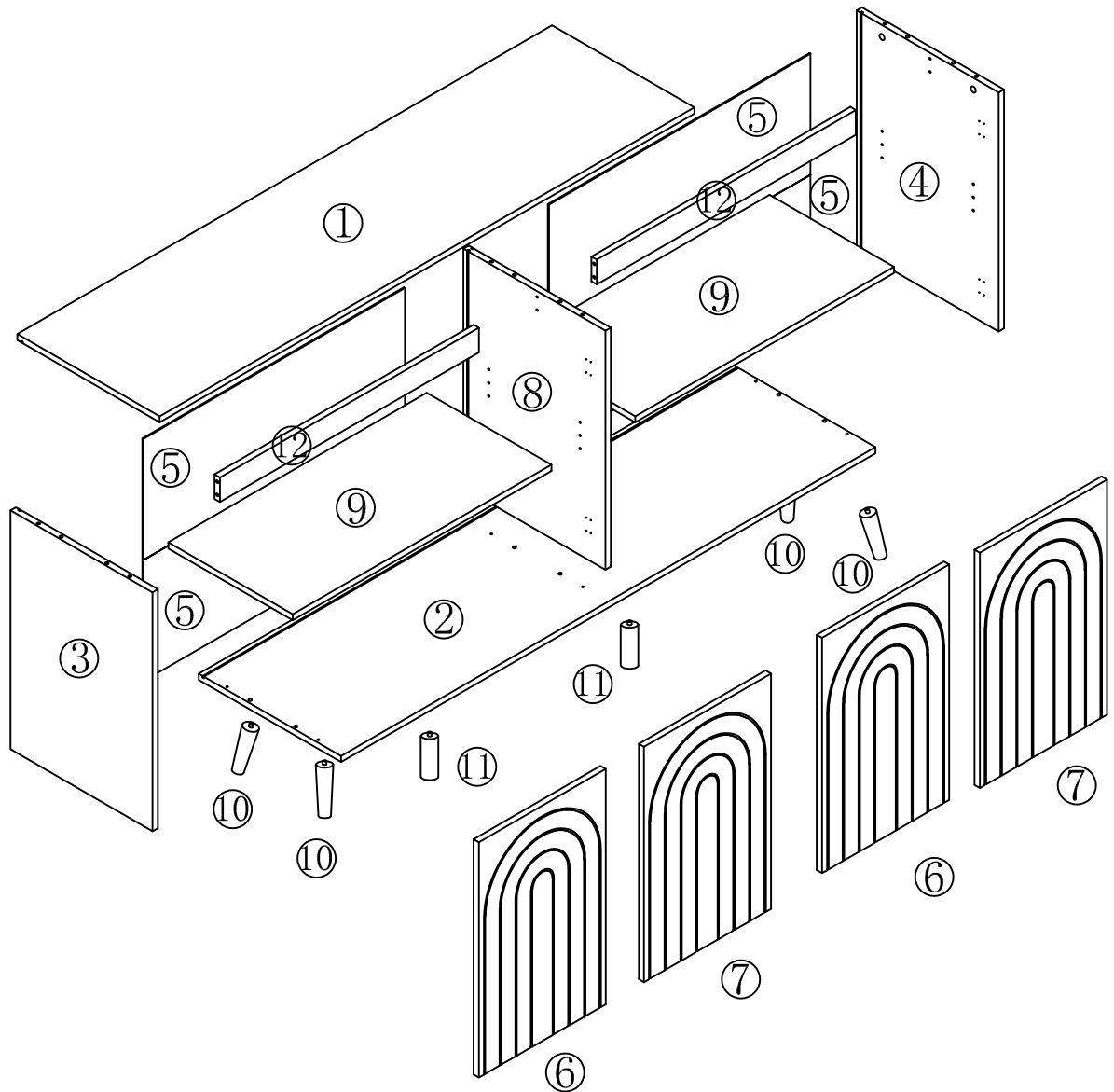
IMPORTANT:

1. Do not tighten bolts / screws completely until all bolts / screws are lined up and inserted into holes.
2. Do not over tighten screws and bolts to avoid stripping
3. Please use hand tools to assemble this product, you can also use power tools (please use power tools carefully).

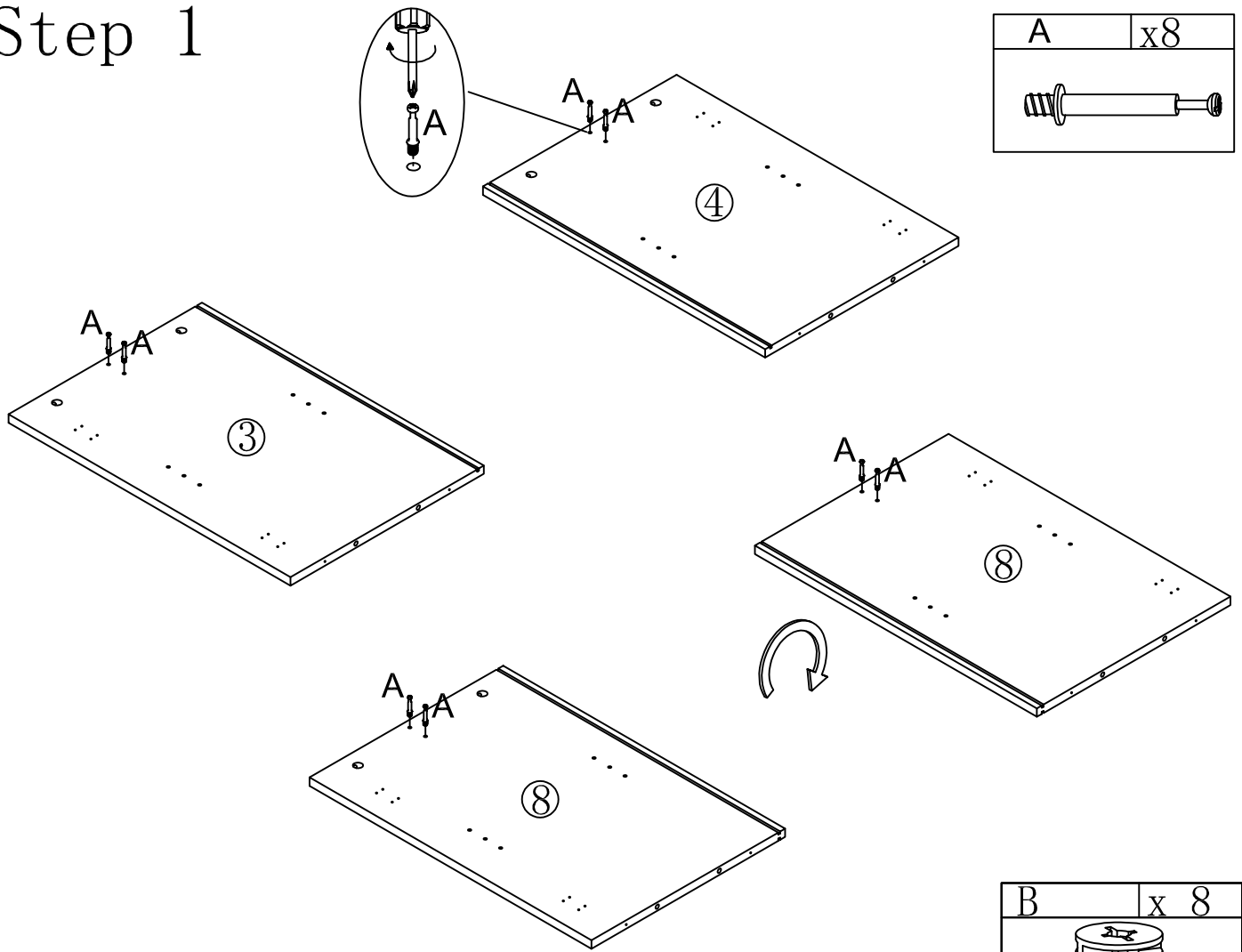
Included Accessories

Code	Description	Qty
1	Cabinet Top	1
2	Bottom Panel	1
3	Left lateral plate	1
4	Right lateral plate	1
5	Back plate	4
6	The door	2
7	The door	2
8	median septum plate	1
9	Removable laminate	2
10	Solid wood feet	4
11	wood feet	2
12	Stiffening plate	2

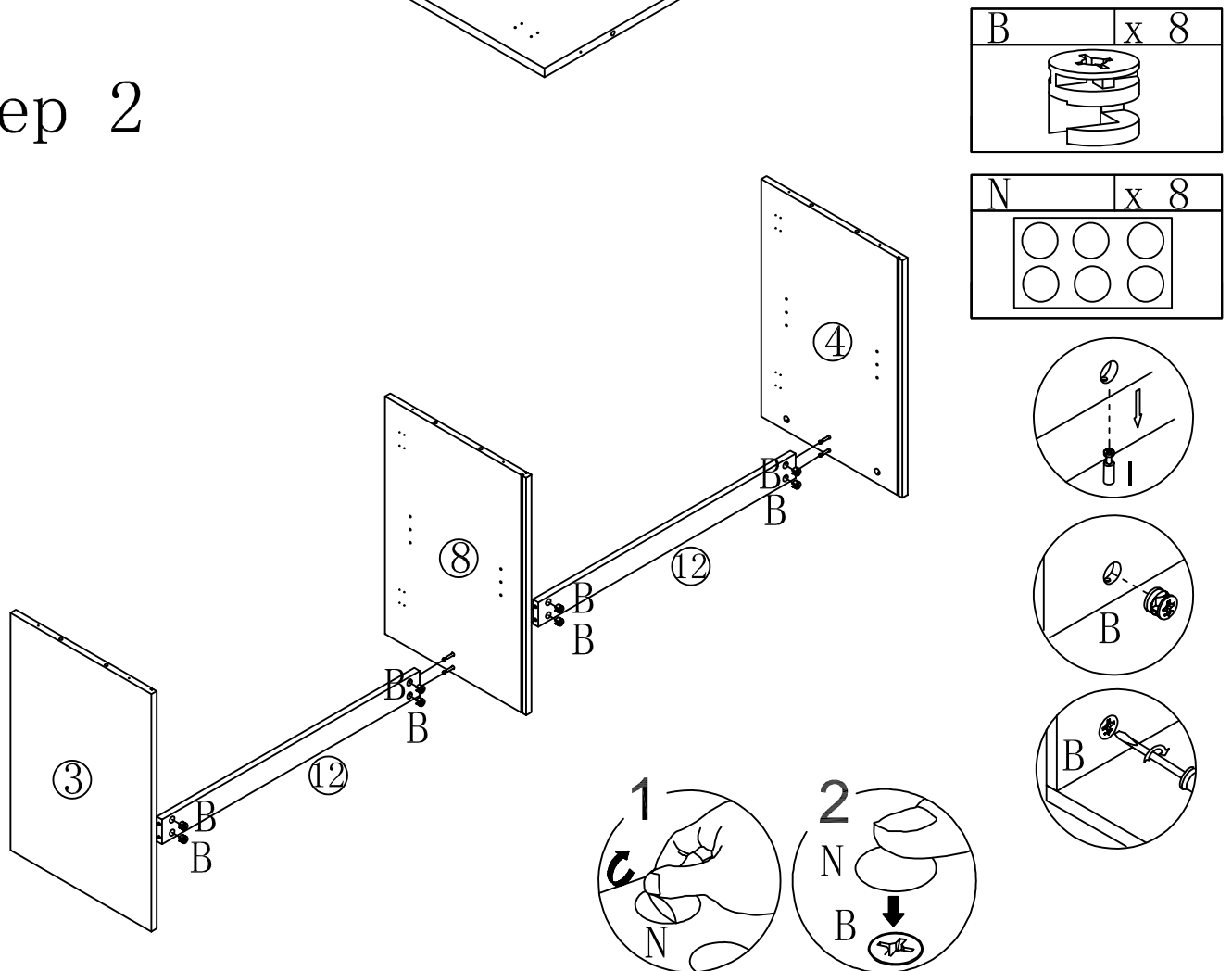
The Accessoriess



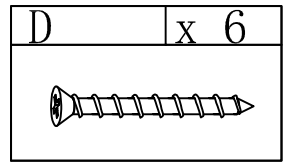
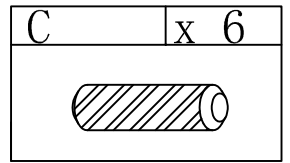
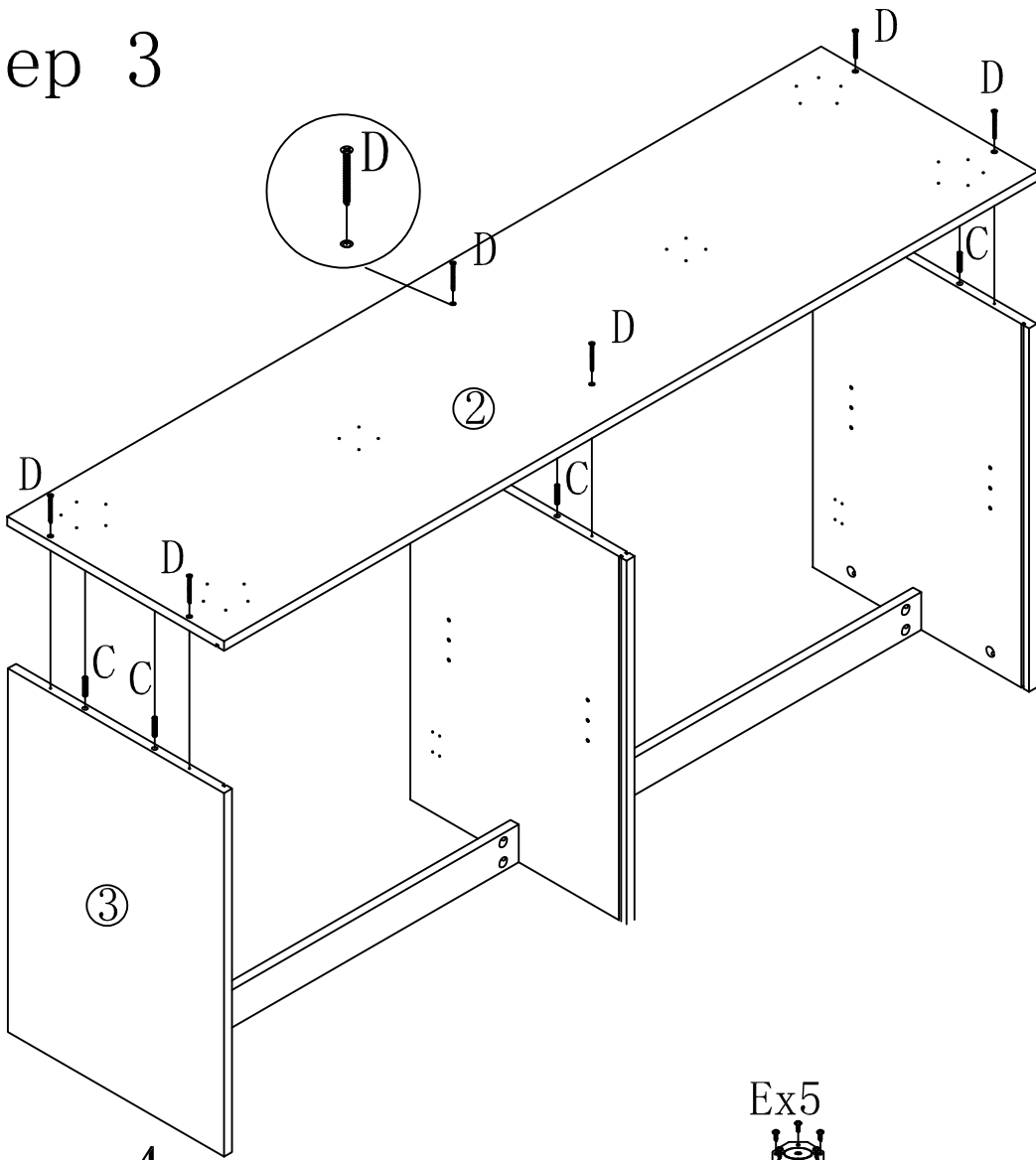
Step 1



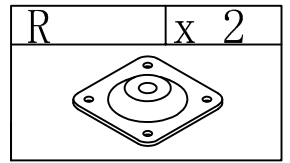
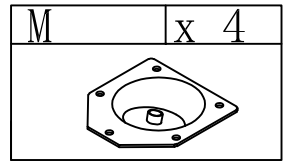
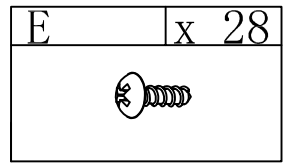
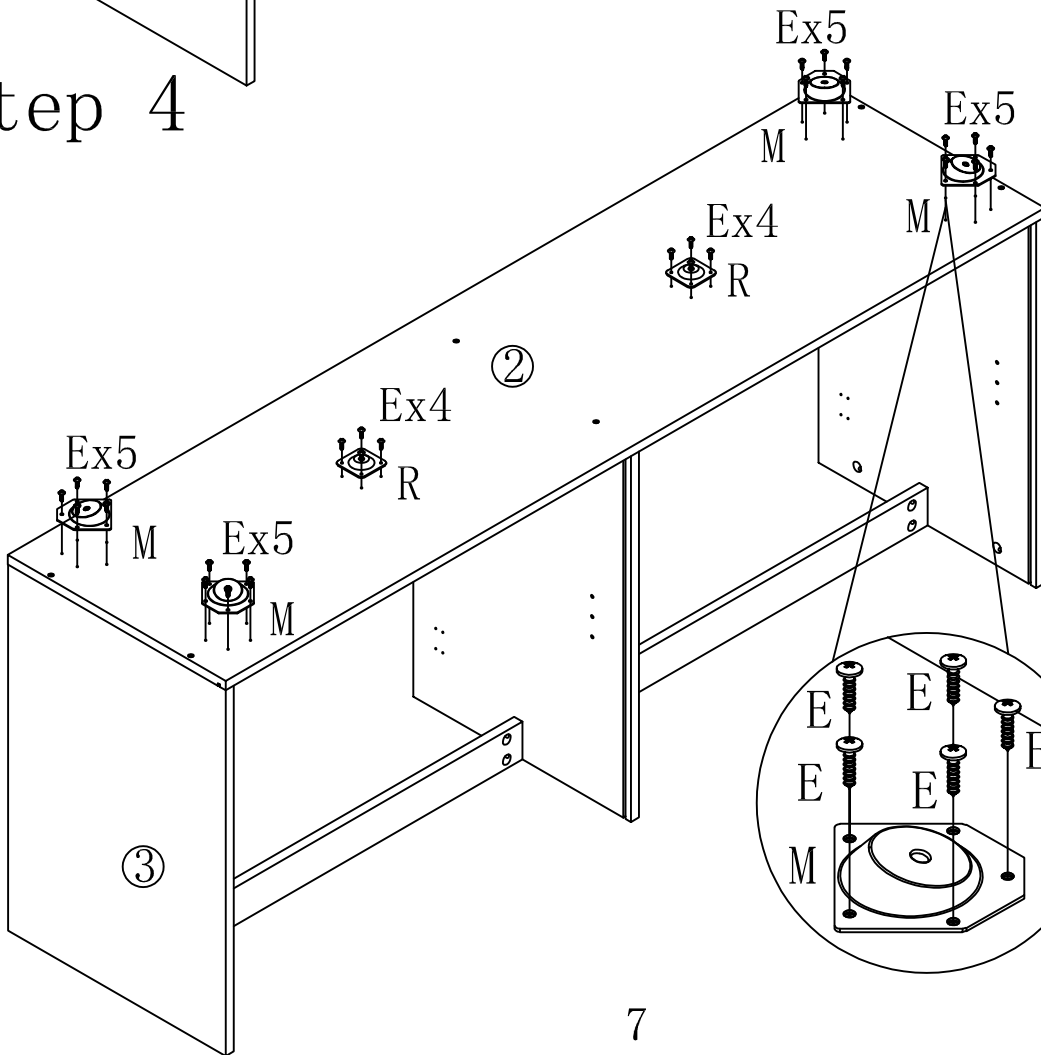
Step 2



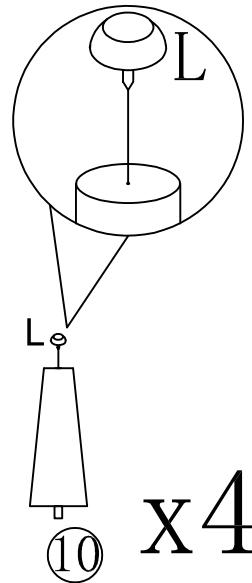
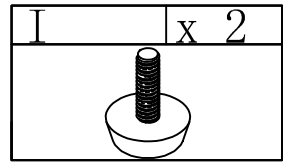
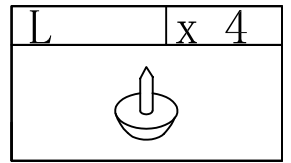
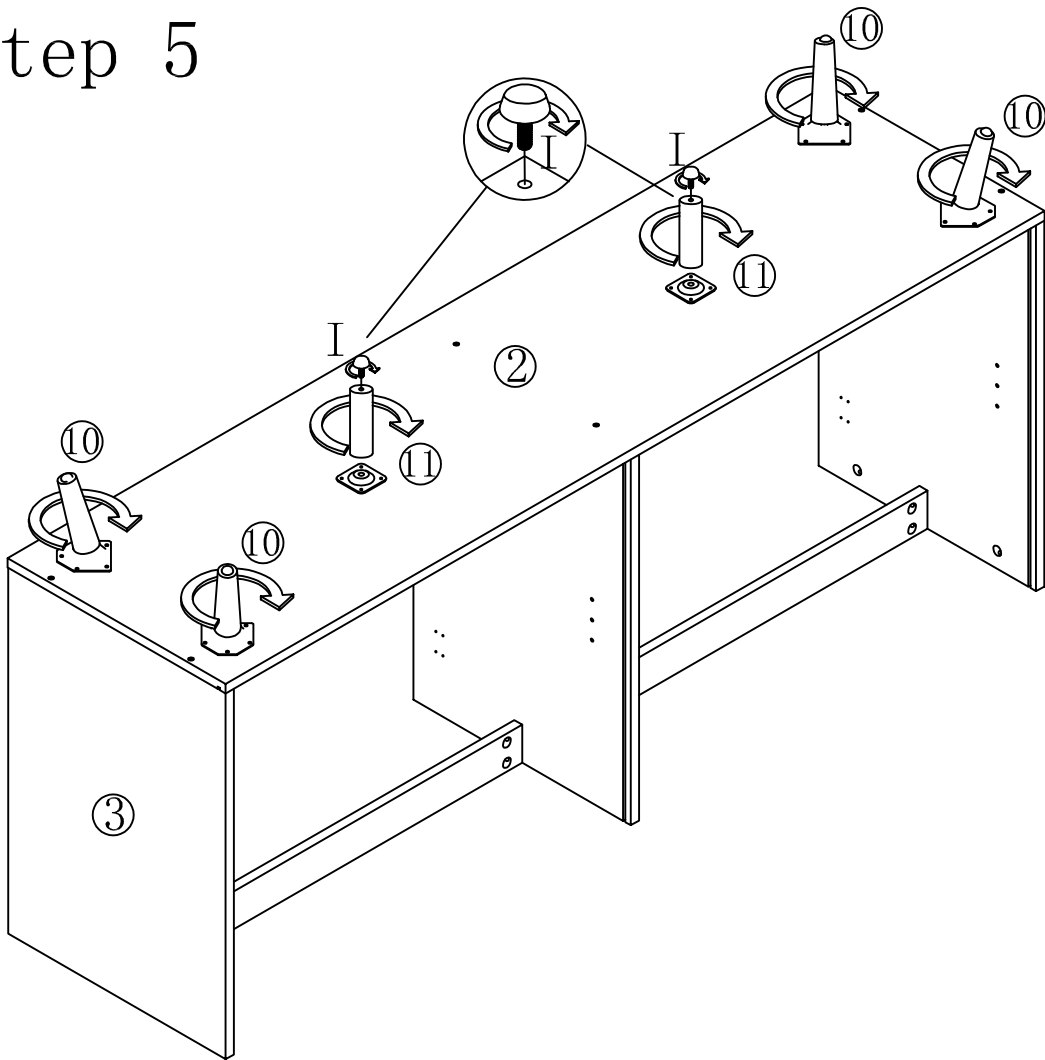
Step 3



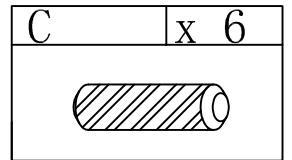
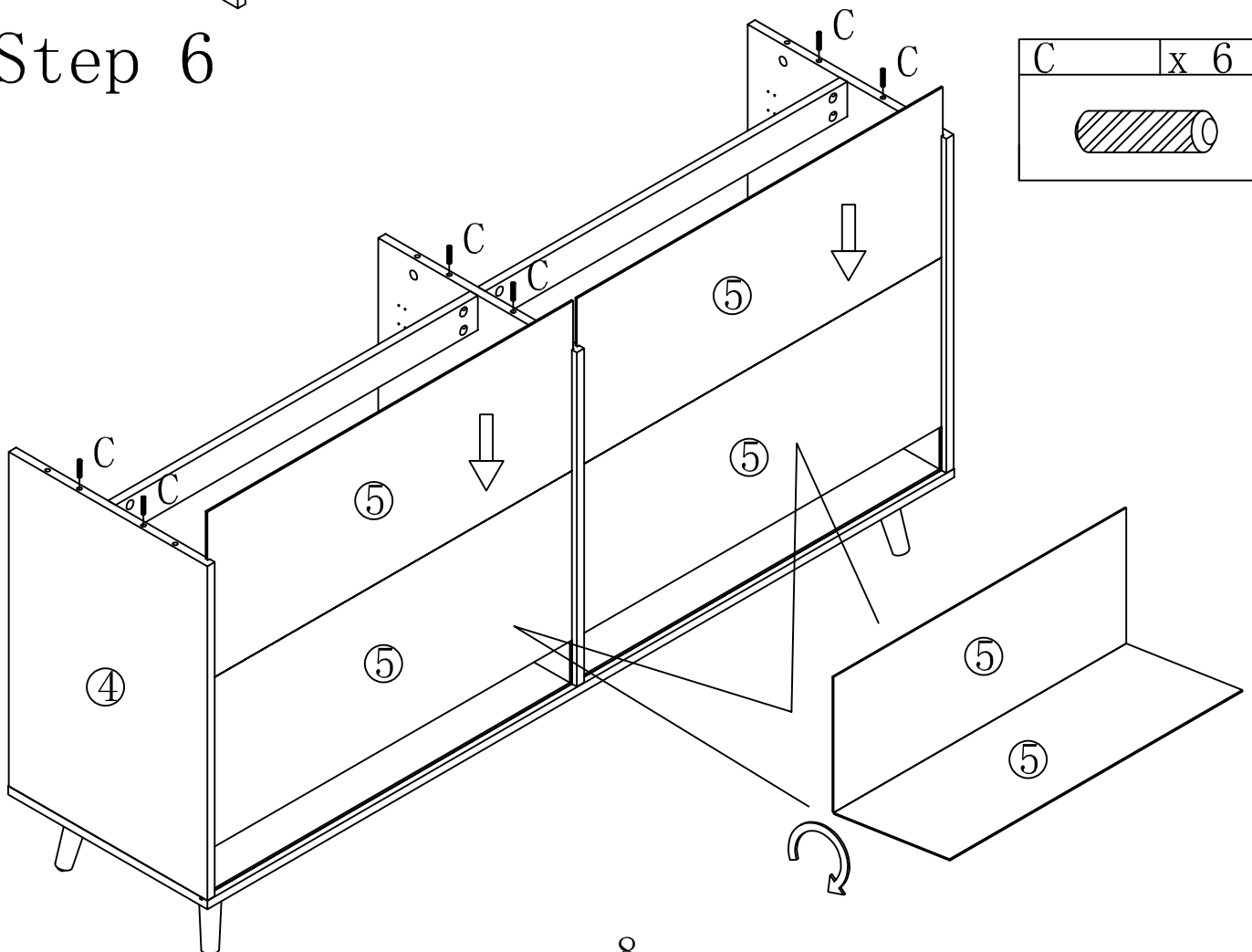
Step 4



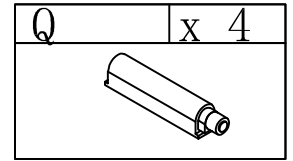
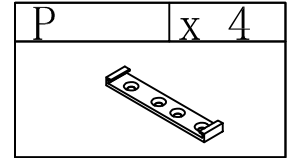
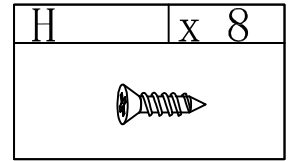
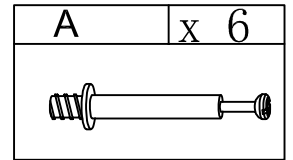
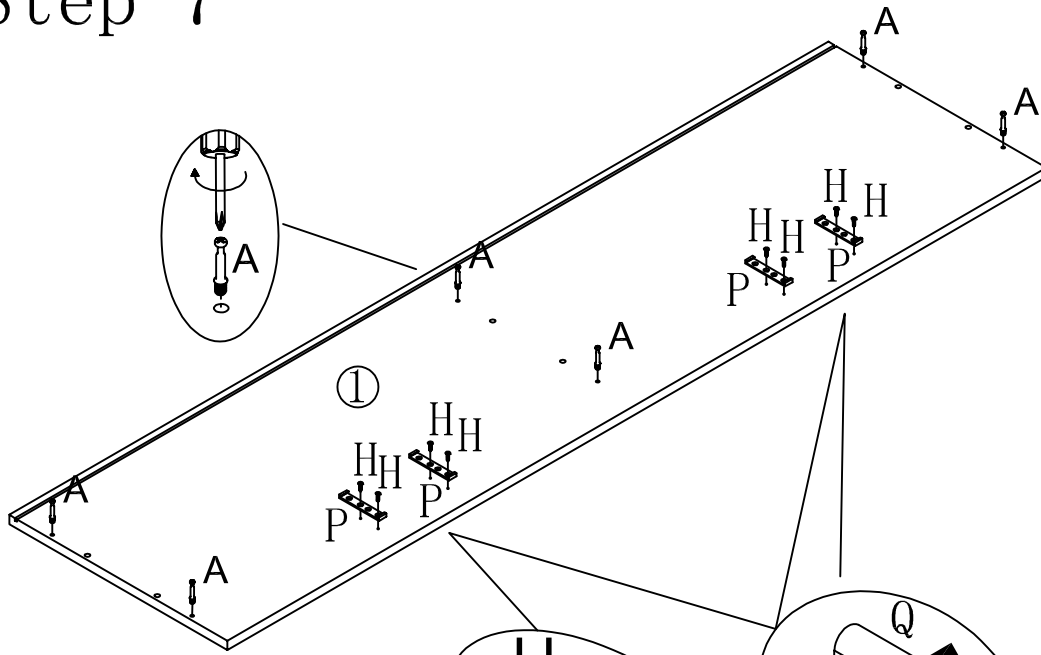
Step 5



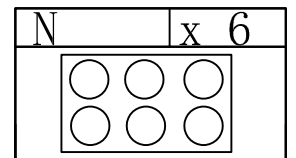
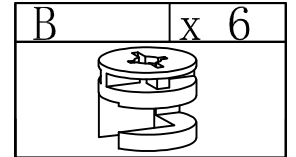
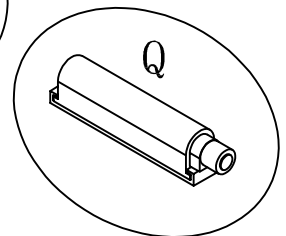
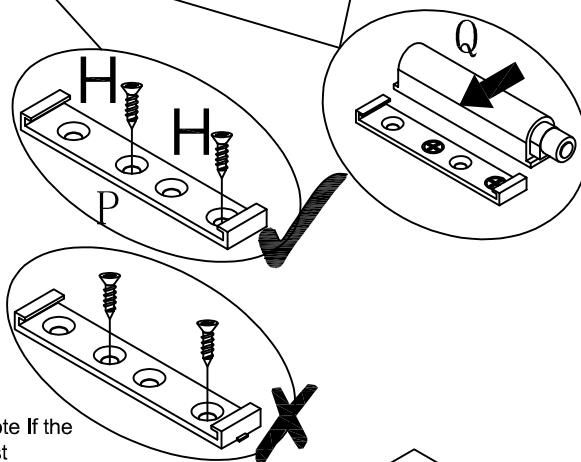
Step 6



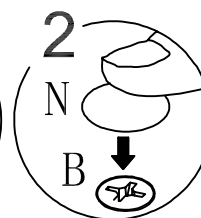
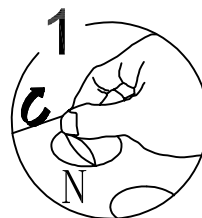
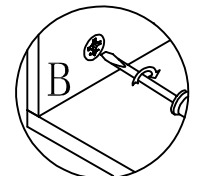
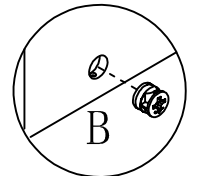
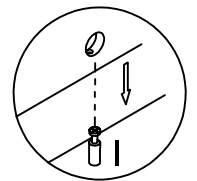
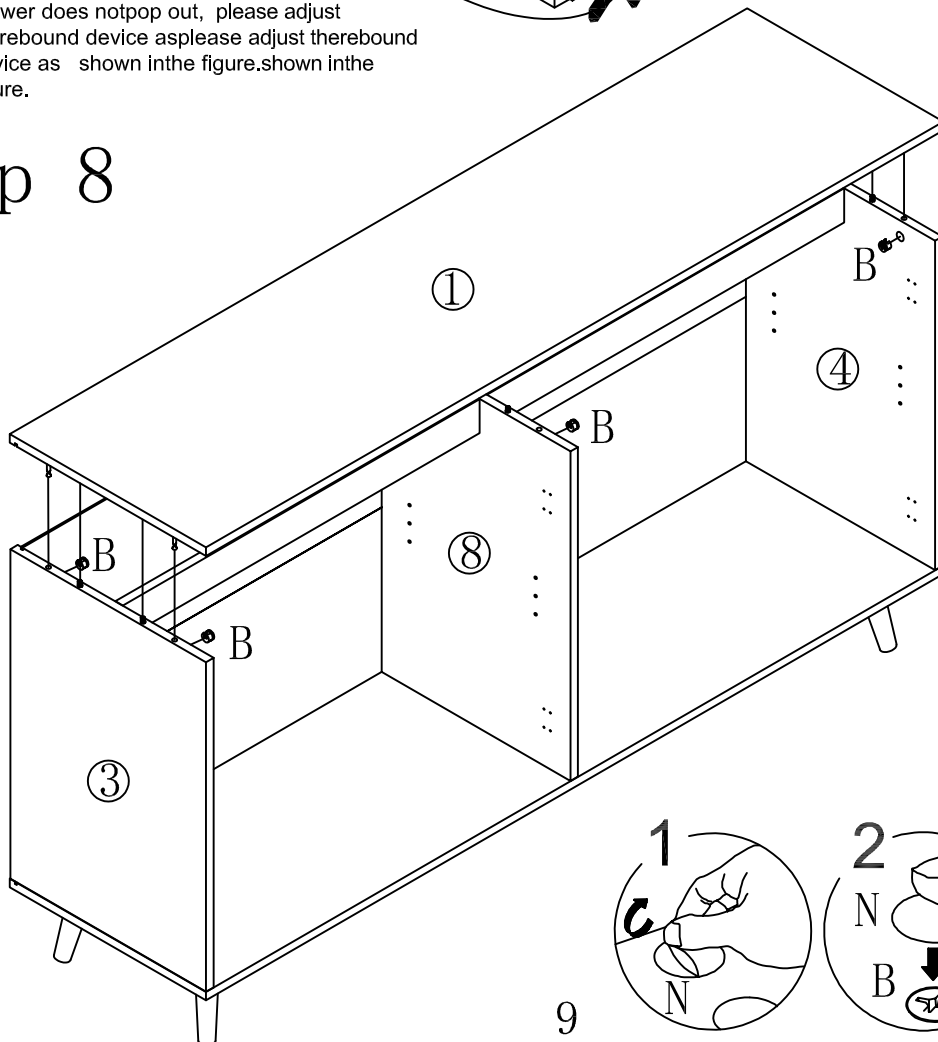
Step 7



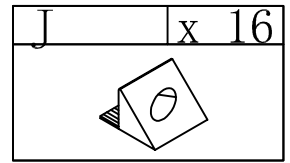
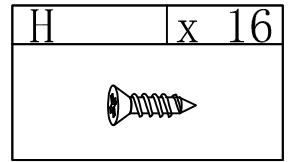
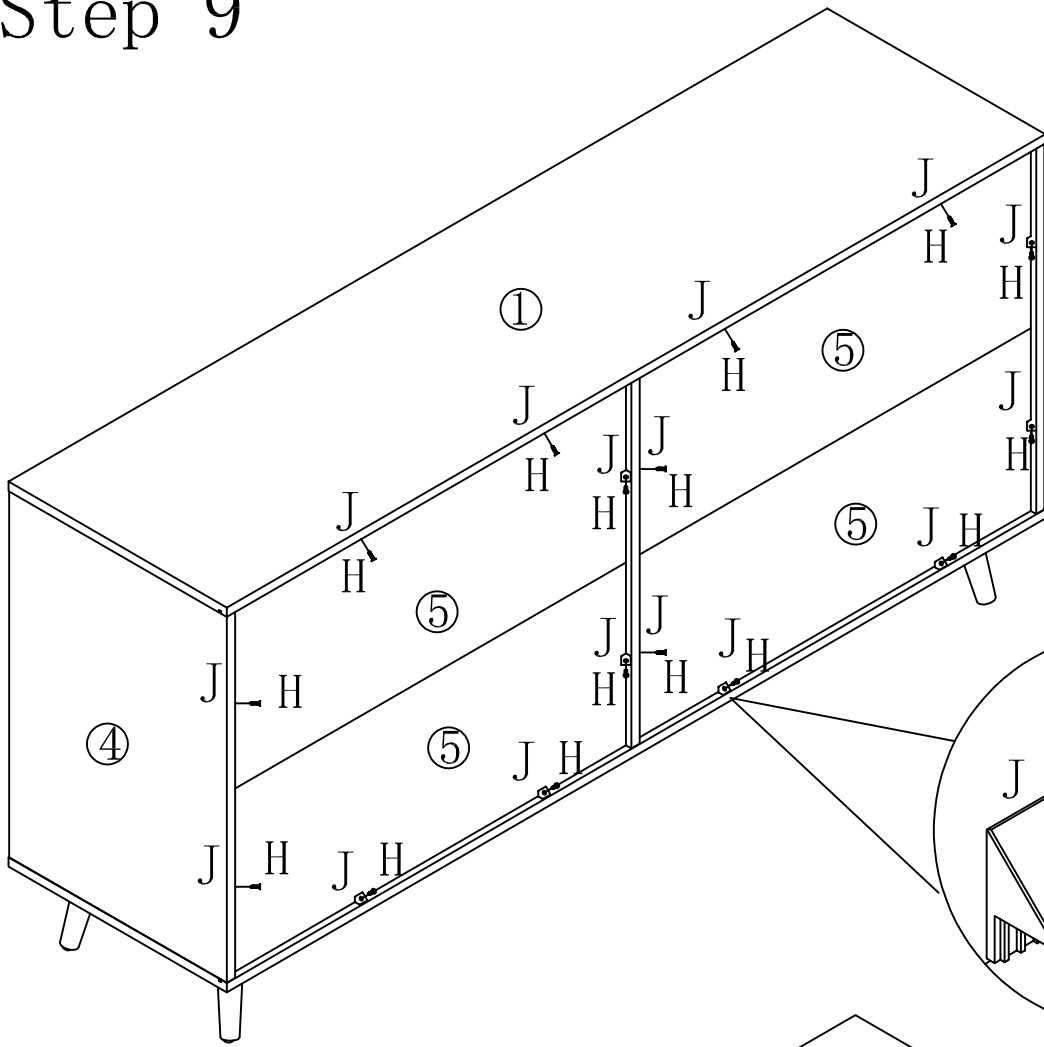
Note If the drawer does not pop out, please adjust the rebound device as shown in the figure.



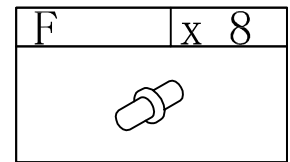
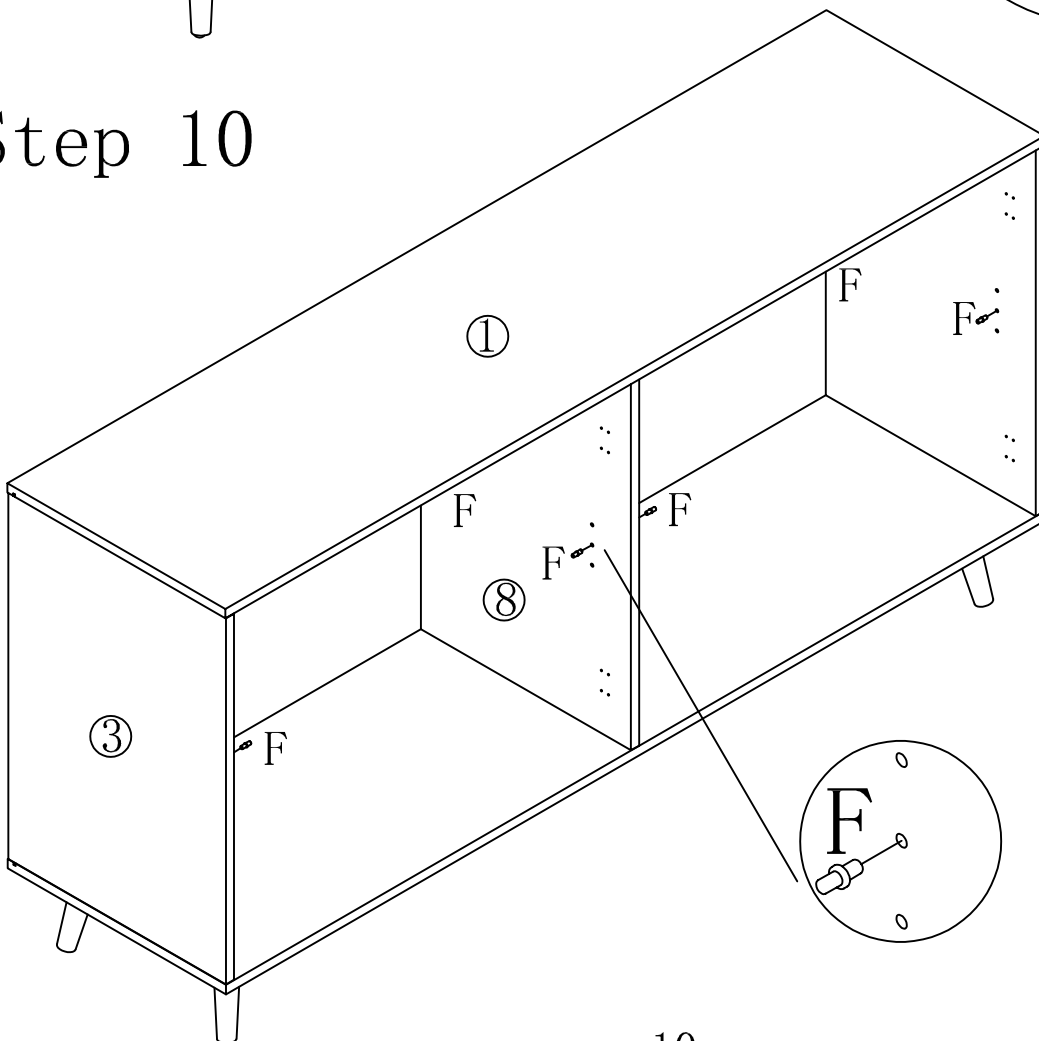
Step 8



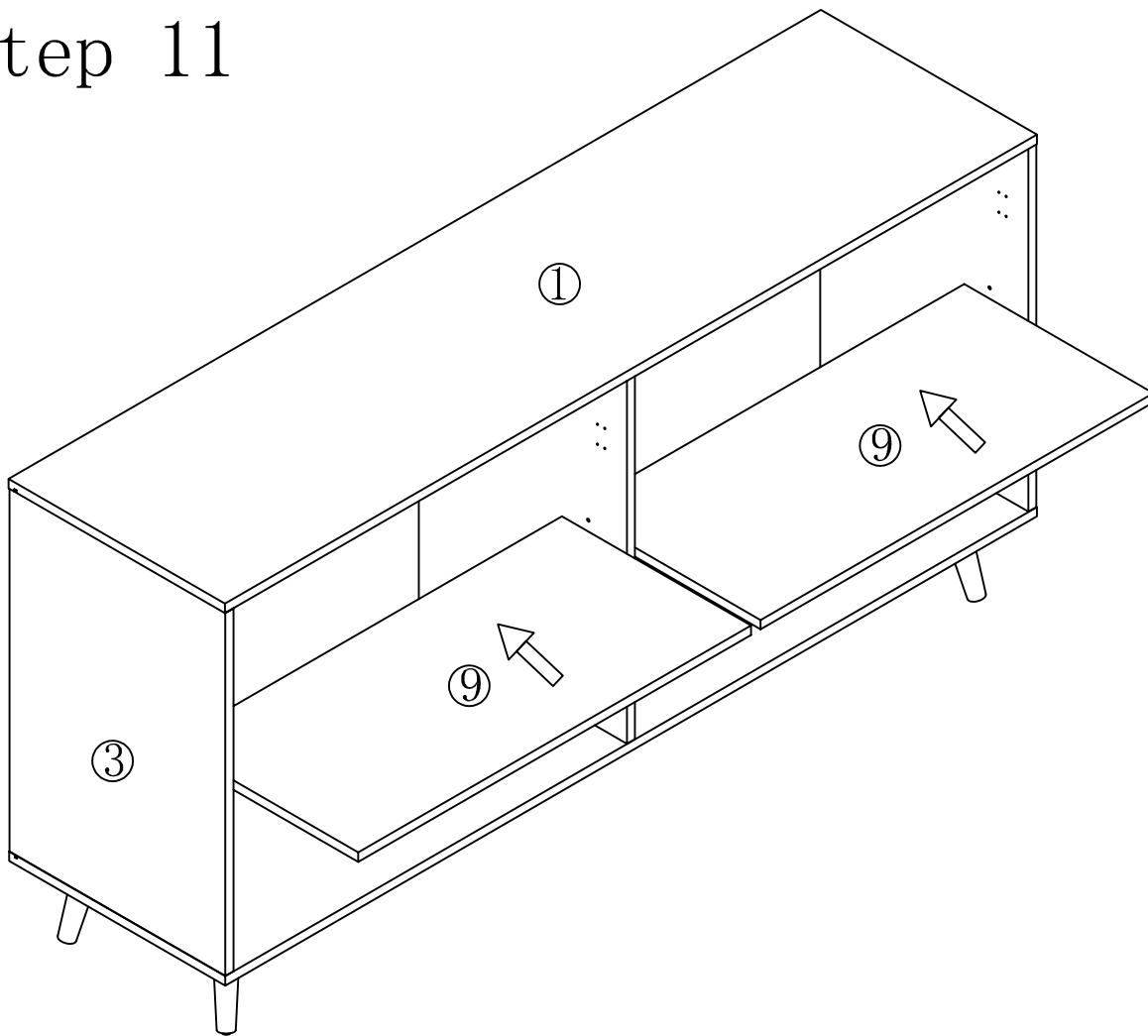
Step 9



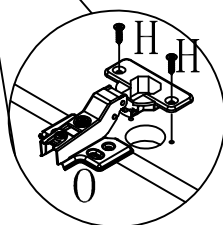
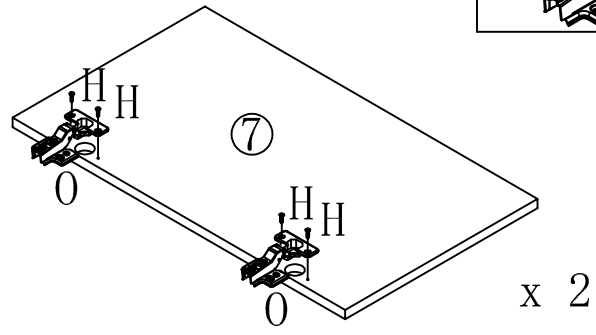
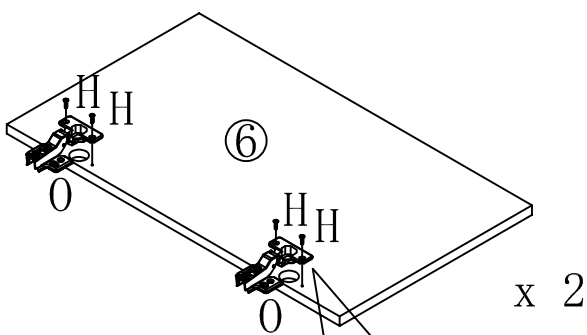
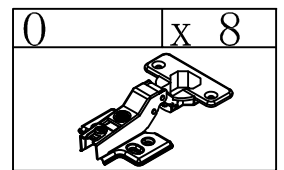
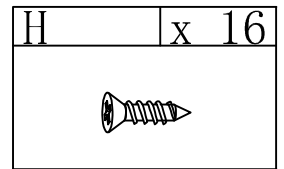
Step 10



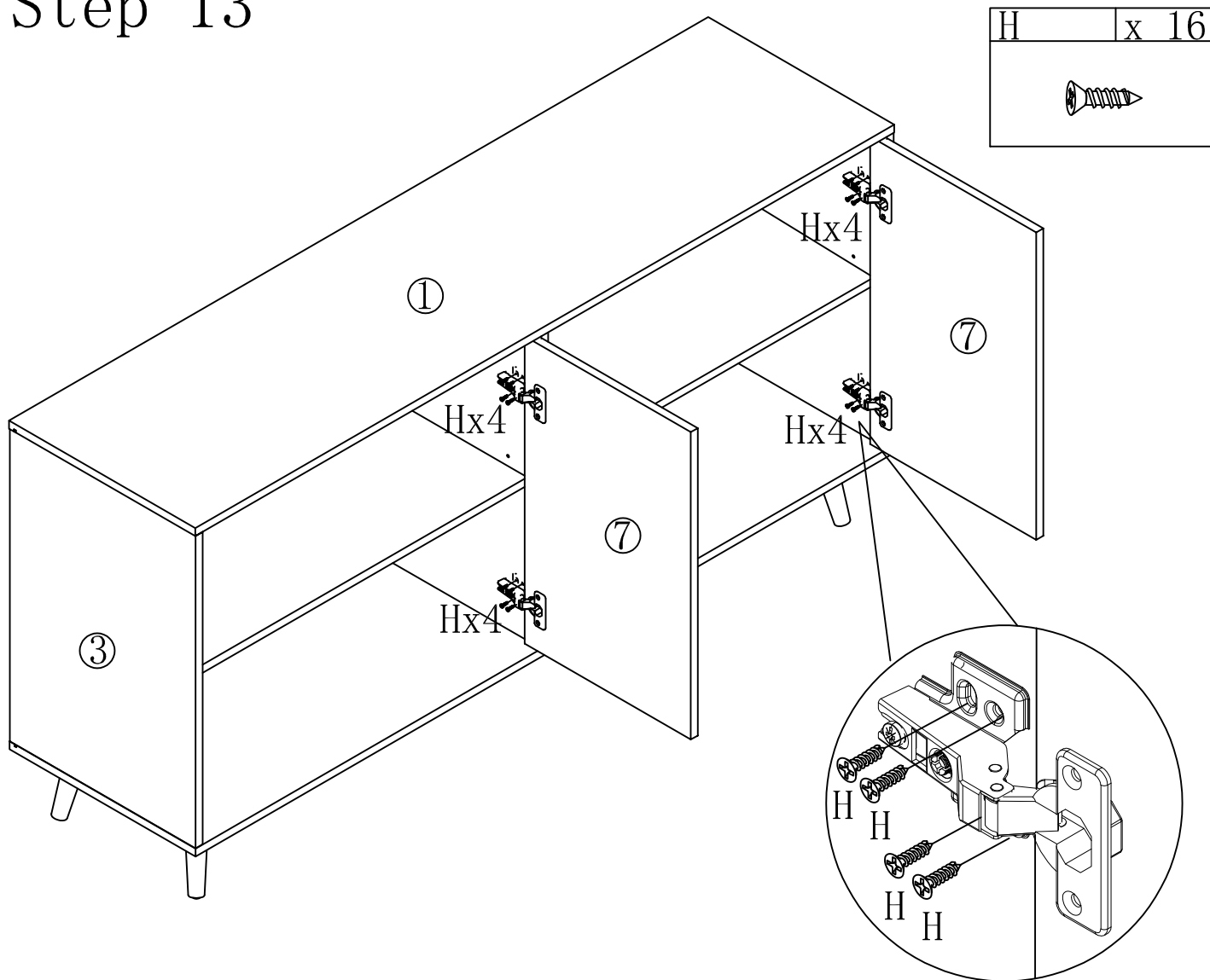
Step 11



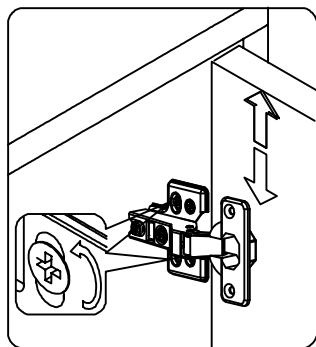
Step 12



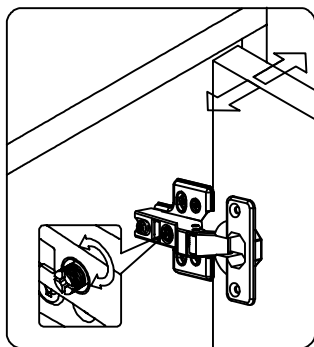
Step 13



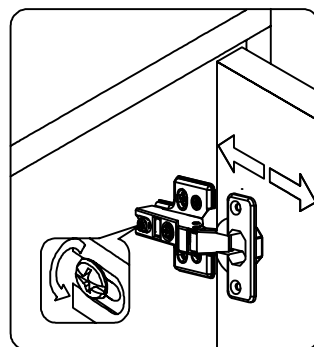
How do I get the two doors to align flat by adjusting the hinges?



1. Adjust the screws shown in Figure 1 to adjust the door up and down.

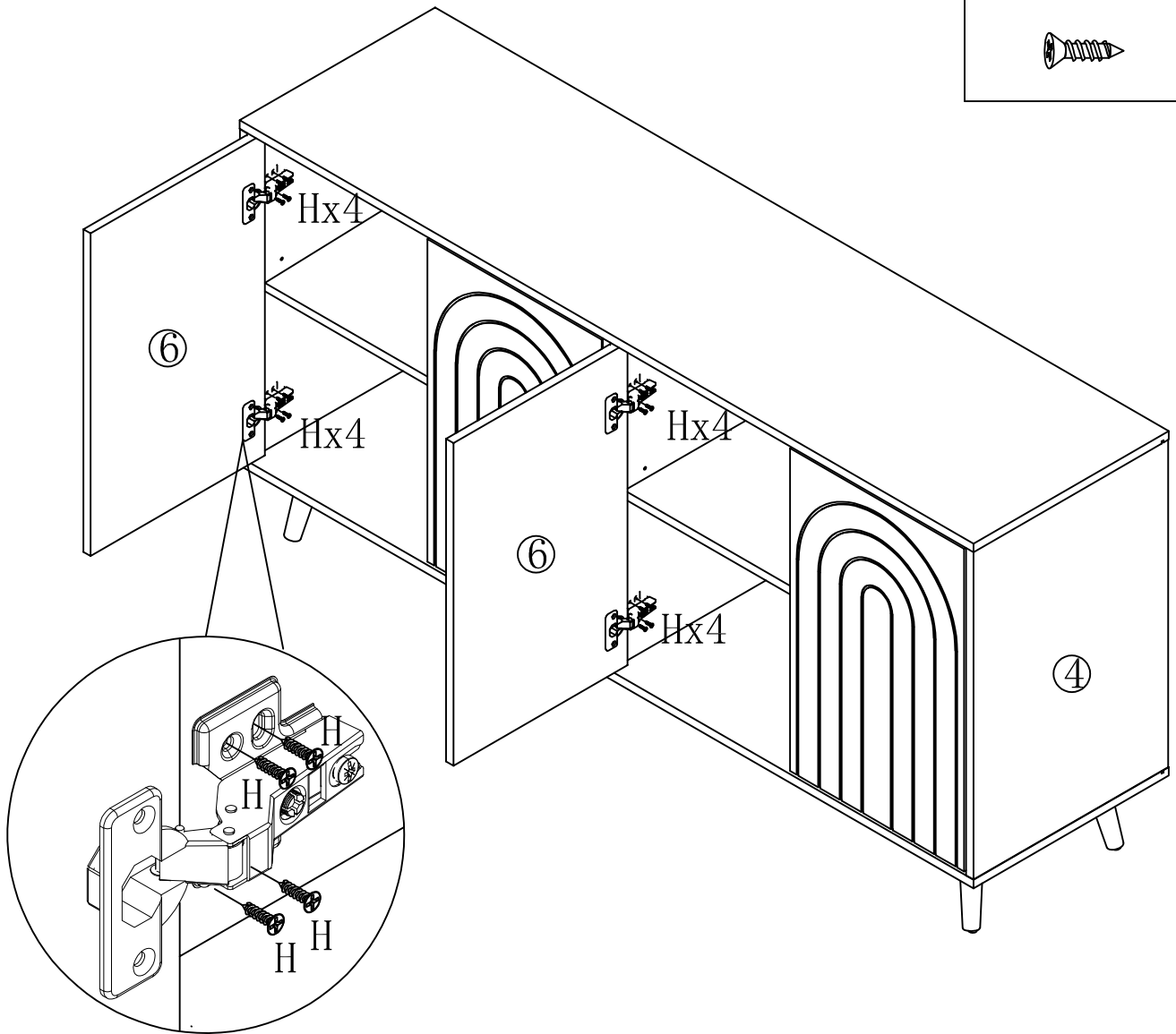
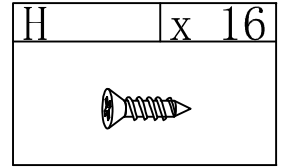


2. Adjust the screws shown in Figure 2 and pull the door back and forth so that it can be opened smoothly.

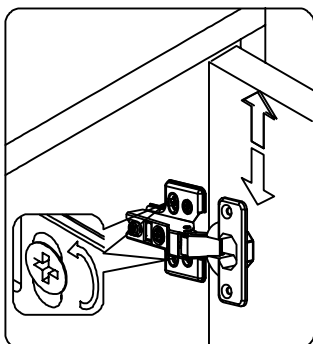


3. Adjust the screws shown in Figure 3 to adjust the door left and right to the right position.

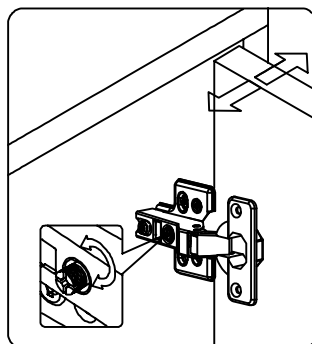
Step 14



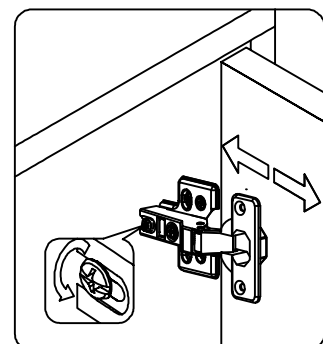
How do I get the two doors to align flat by adjusting the hinges?



1. Adjust the screws shown in Figure 1 to adjust the door up and down.

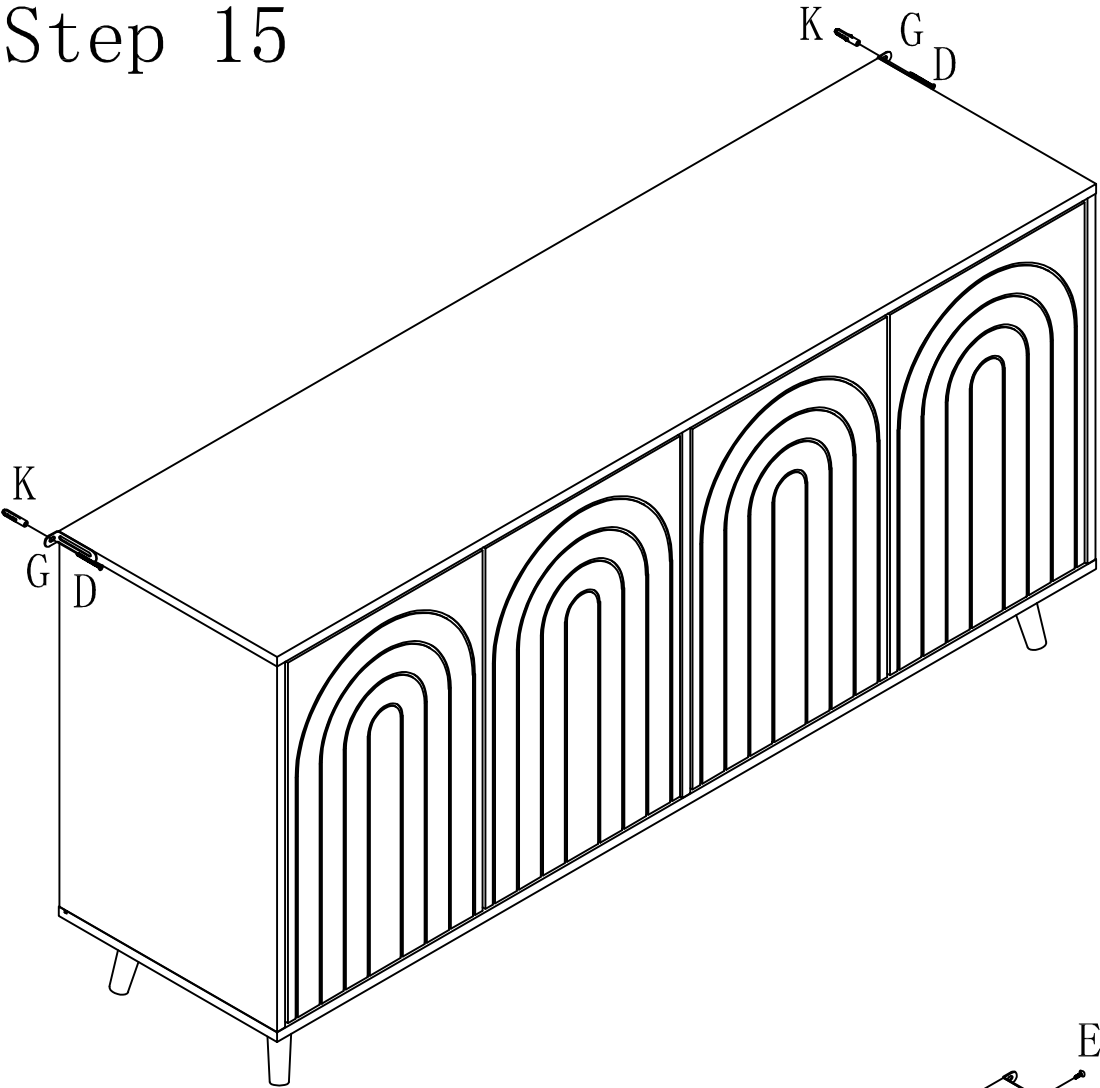


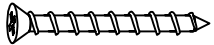
2. Adjust the screws shown in Figure 2 and pull the door back and forth so that it can be opened smoothly.

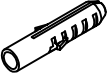



3. Adjust the screws shown in Figure 3 to adjust the door left and right to the right position.


Step 15



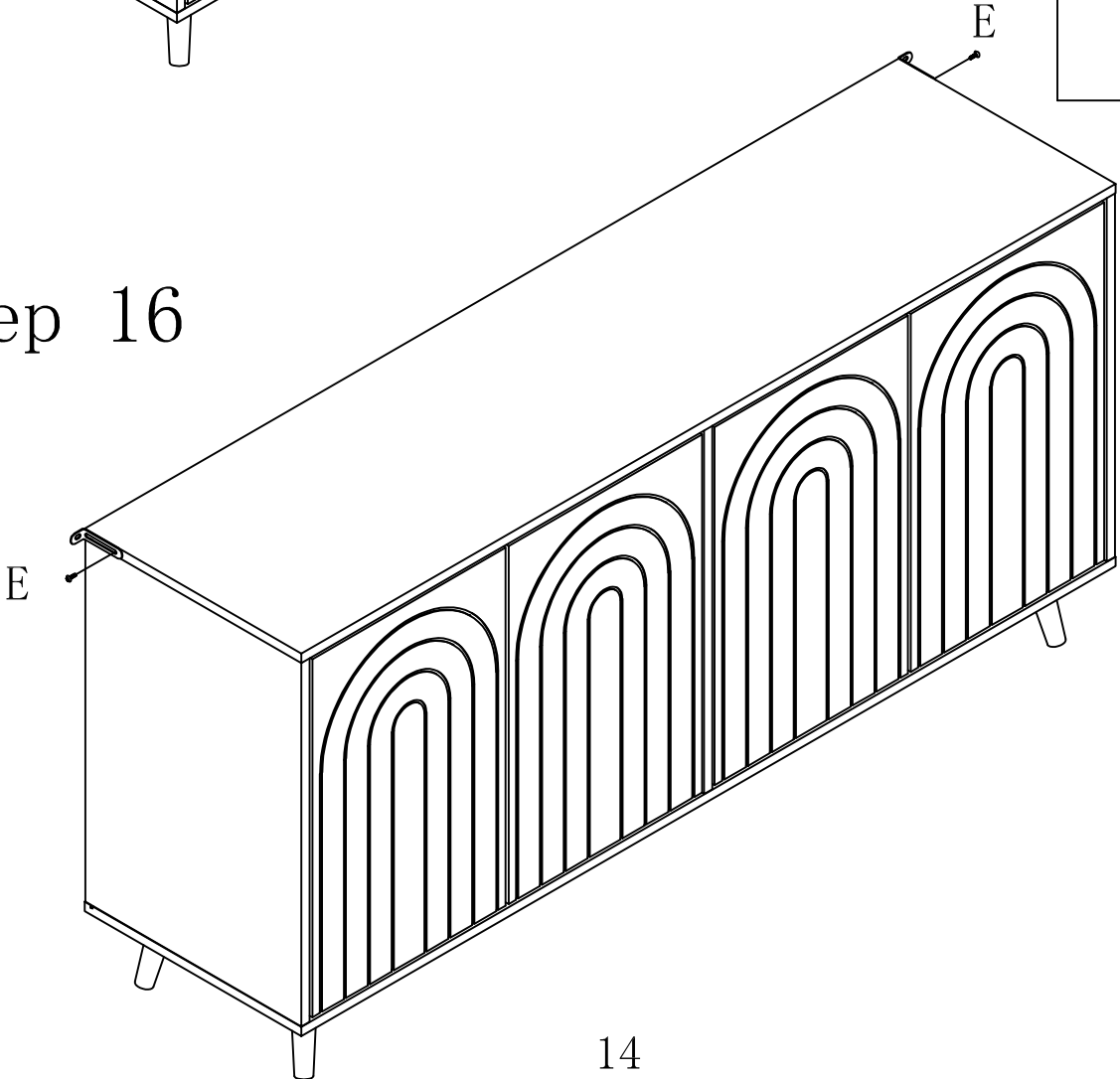
D	x 2
	

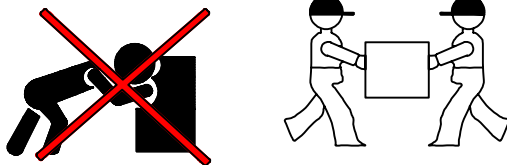
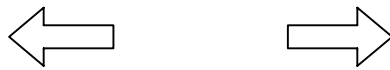
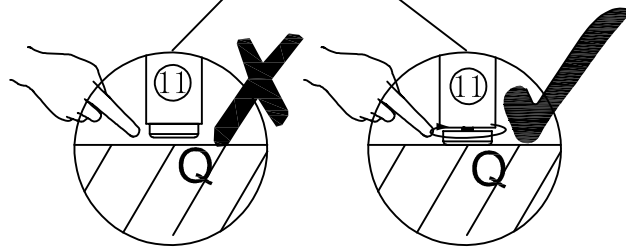
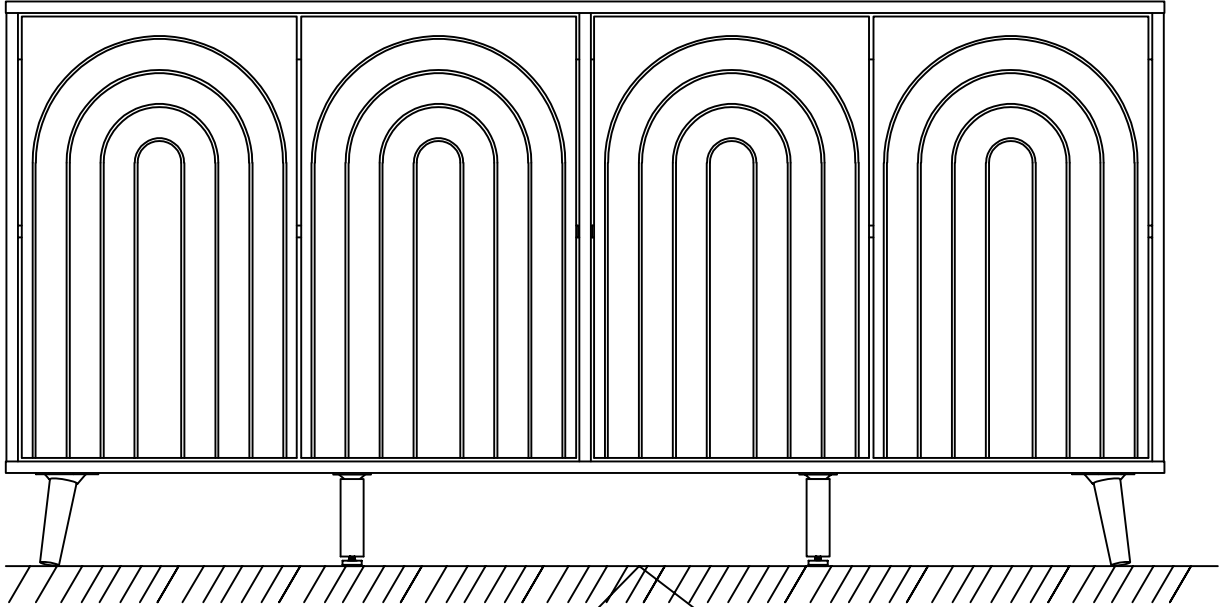
K	x 2
	

G	x 2
	

E	x 2
	

Step 16





Two people work together to move the table.
Make sure you lift it off the ground.
Don't push and pull.