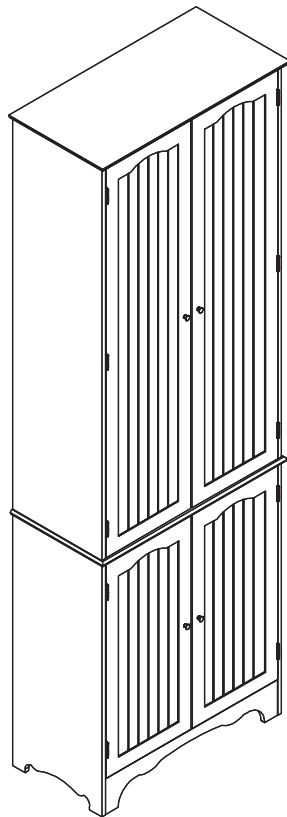


# Storage Cabinet

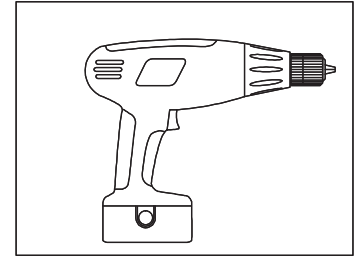
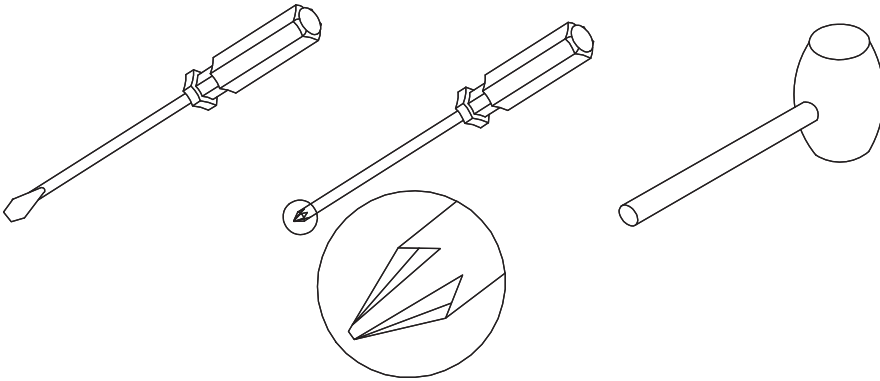
---

## Assembly Instructions



# Assembly Instructions

## ASSEMBLY TOOLS REQUIRED (NOT INCLUDED)



**\* Not recommend power drill,  
as it may damage the unit.**

### Notes:

- \* Before discarding packing materials, please check all parts and hardware are presented.
- \* Please read all instructions to have an overview of the assembly and follow the instructions closely.
- \* Make sure you have enough space to layout all the parts before starting, and choose the assembly area close where it would use as much as possible.

### For Safety:


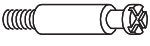



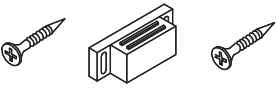
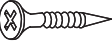


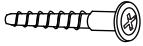
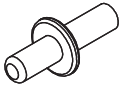
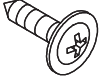
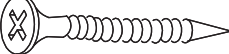
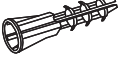
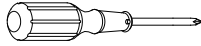
- \* Keep children and pets away from the work area, small parts would choke if swallowed.
- \* This product constructed for household use only, not for commercial purpose.
- \* After a few days of initial assembly, the product may have acclimated to new environment, please tighten all hardware again.  
And conduct a regularly check to make sure all bolts and fittings are tightened properly.

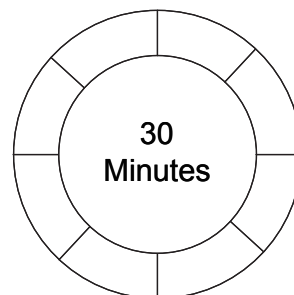
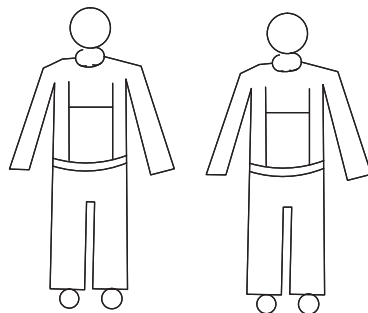


All screws are kept straight in when assembly

# Assembly Instructions

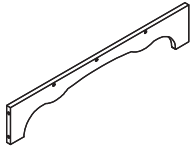
## Hardware Provided

<b>a</b>		29PCS +2Extra part	<b>b</b>		29PCS +2Extra part
<b>d</b>		24PCS +2Extra part	<b>e</b>		10PCS
<b>f</b>		6PCS	<b>g</b>		3PCS
<b>h</b>		46PCS +4Extra part	<b>i</b>		4PCS
<b>j</b>		4PCS	<b>k</b>		4PCS
<b>m</b>		8PCS	<b>n</b>		38PCS +3Extra part
<b>o</b>		2PCS	<b>s</b>		2PCS
					

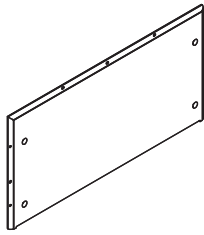


# Assembly Instructions

## Parts Identification



**A**  
1PC



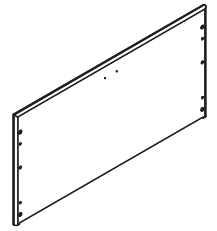
**B**  
1PC



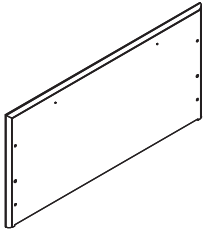
**C**  
1PC



**D**  
1PC



**E**  
1PC



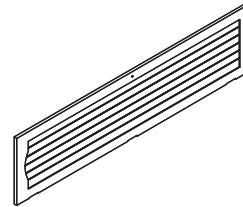
**F**  
1PC



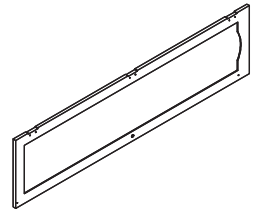
**G**  
1PC



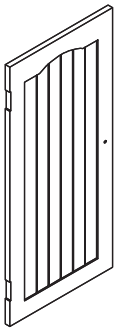
**H**  
1PC



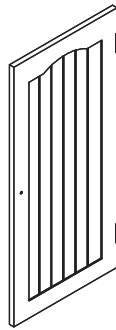
**I**  
1PC



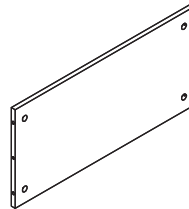
**J**  
1PC



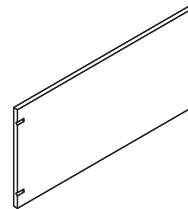
**K**  
1PC



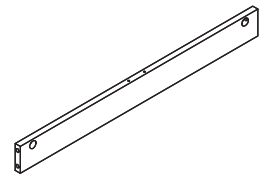
**L**  
1PC



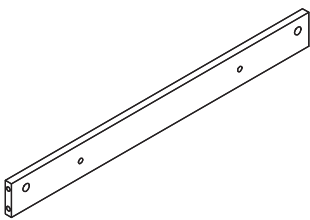
**M**  
2PCS



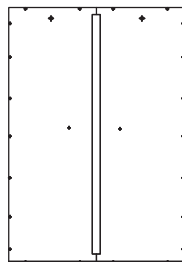
**N**  
2PCS



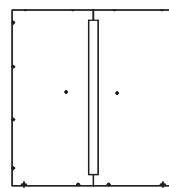
**O**  
1PC



**P**  
1PC



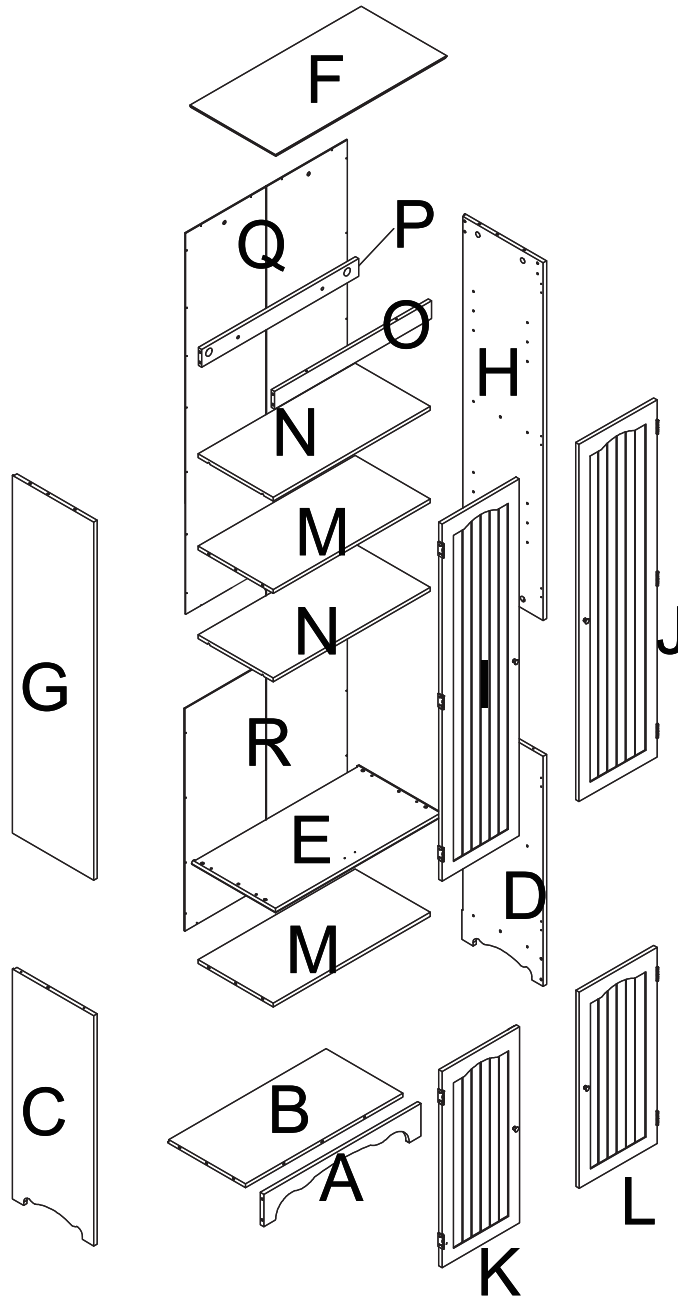
**Q**  
1PC



**R**  
1PC

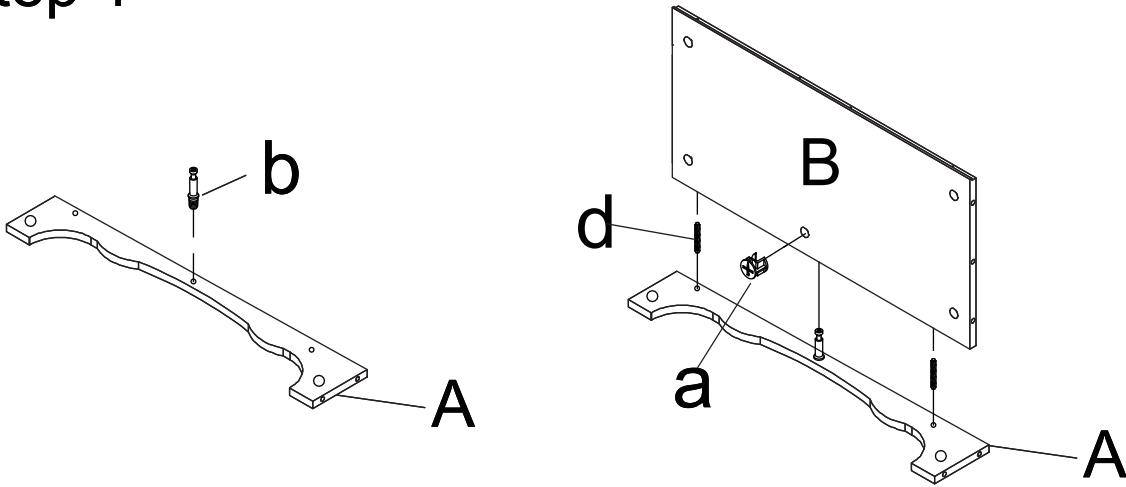
# Assembly Instructions

## Exploded View



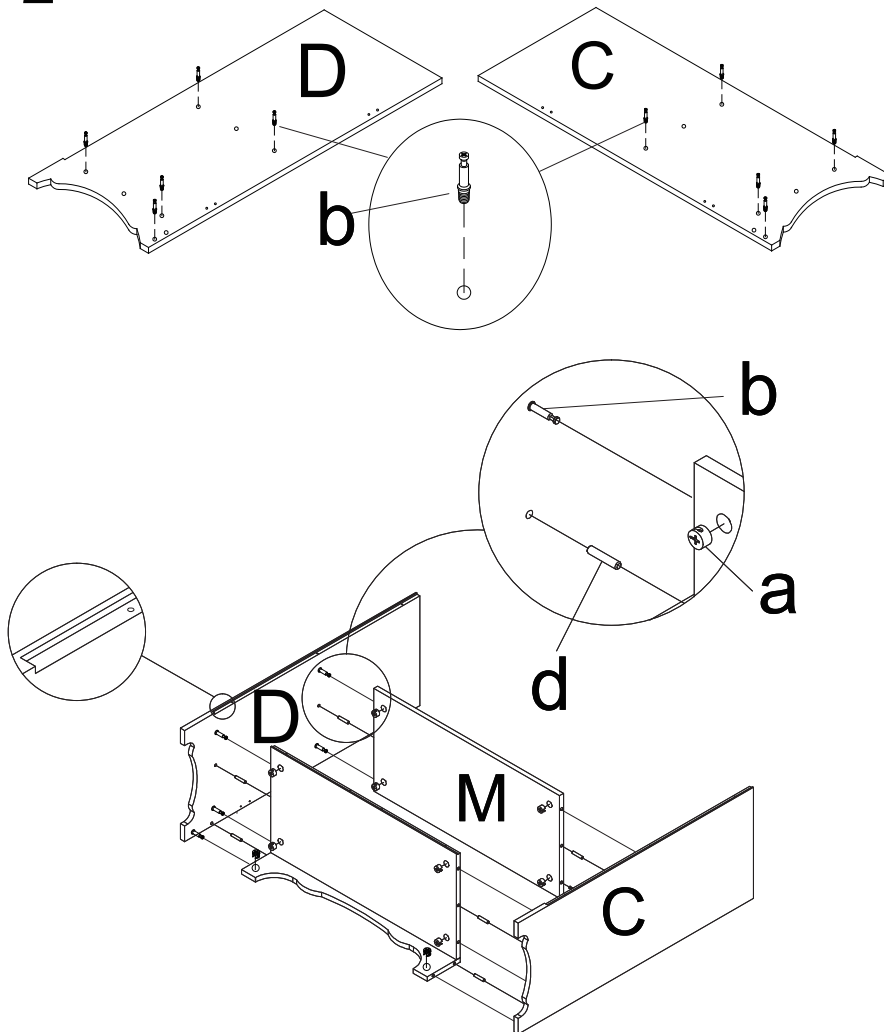
# Assembly Instructions

## Step 1



A x 1  
 B x 1  
 a x 1  
 b x 1  
 d x 2

## Step 2



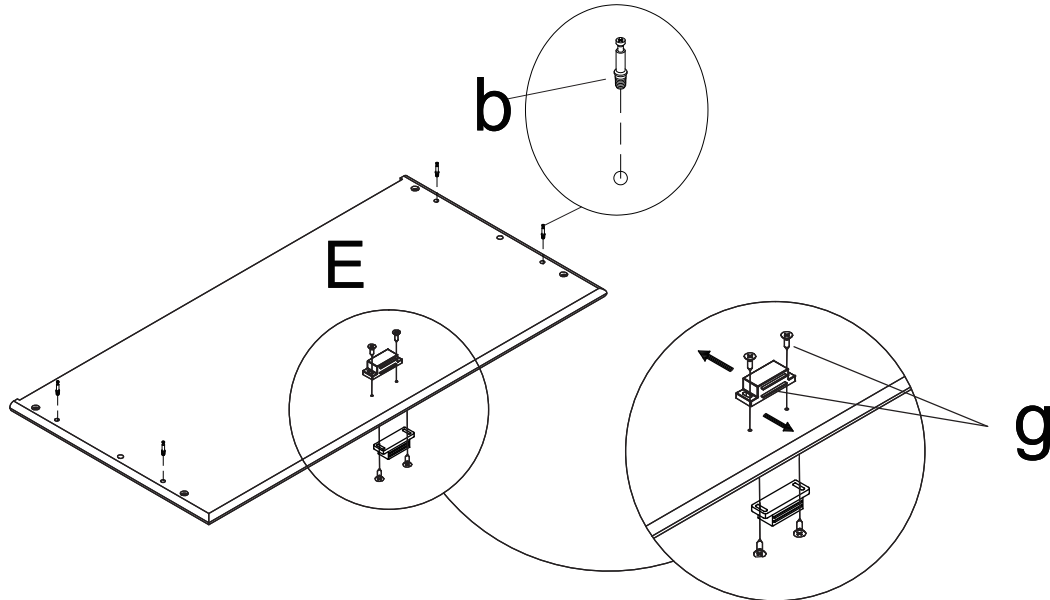
C x 1  
 D x 1  
 M x 1  
 a x 10  
 b x 10  
 d x 6

Frame 1

# Assembly Instructions

## Step 3

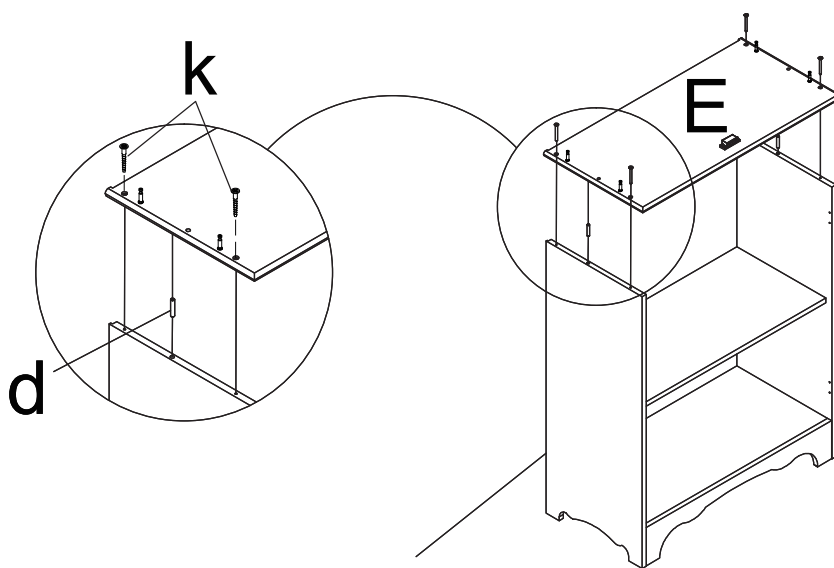
E x 1  
b x 4  
g x 2



Adjustable distance

## Step 4

d x 2  
k x 4

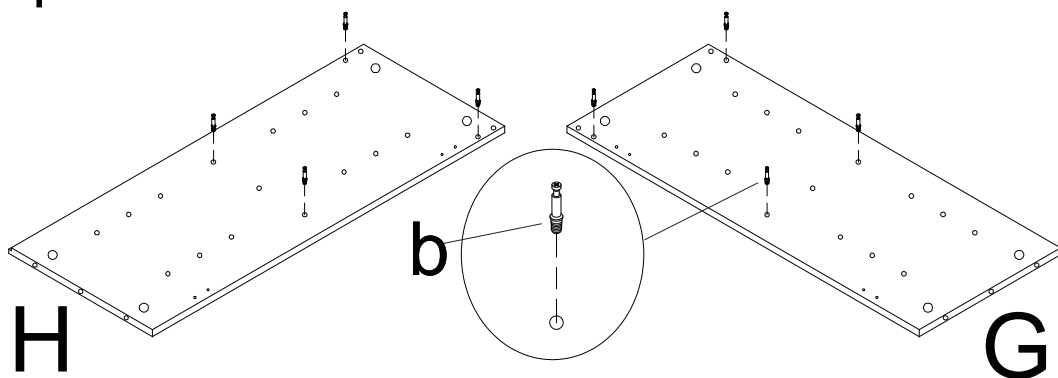


Frame 1

Frame 2

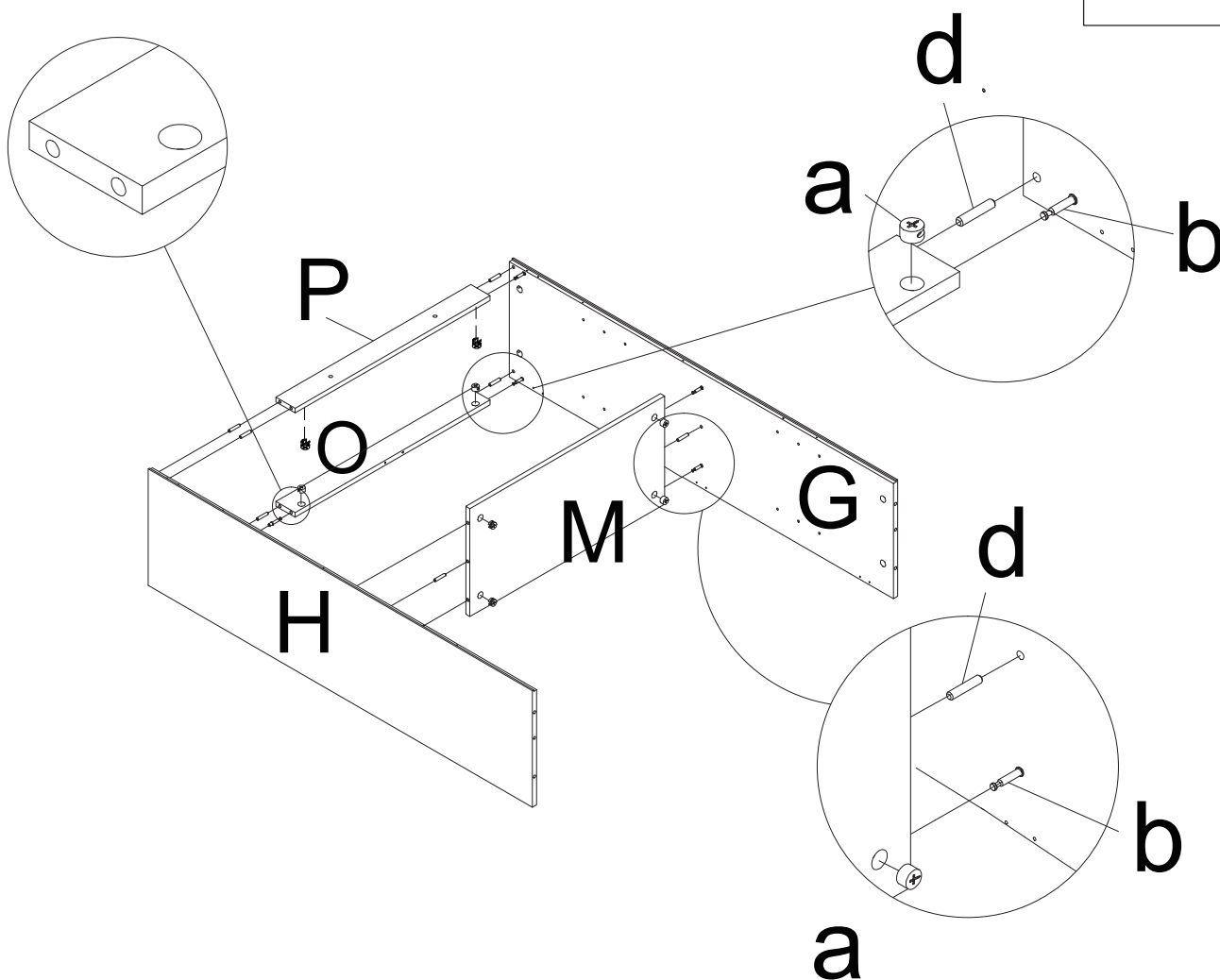
# Assembly Instructions

## Step 5



- H x 1
- G x 1
- M x 1
- O x 1
- P x 1
- a x 8
- b x 8
- d x 6

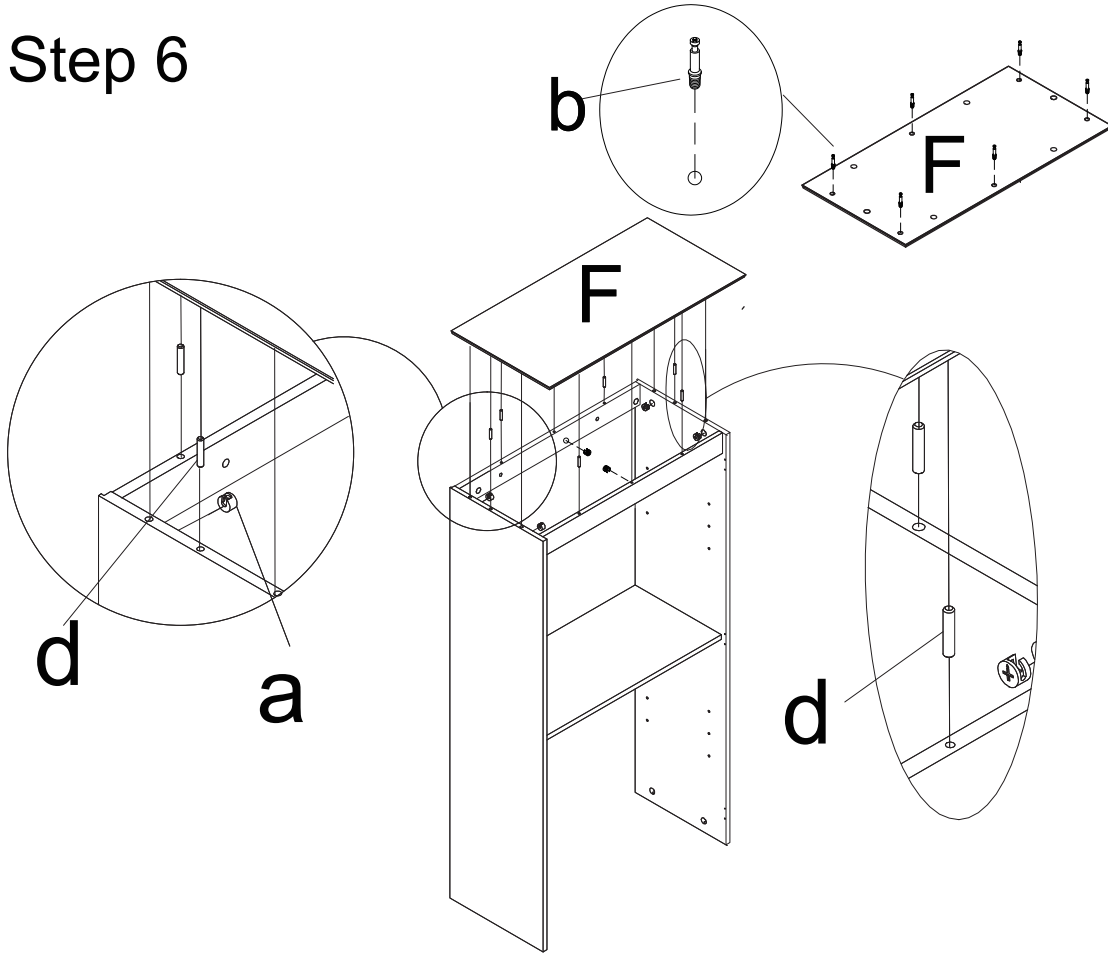
The hole faces the back.



The hole faces the back.

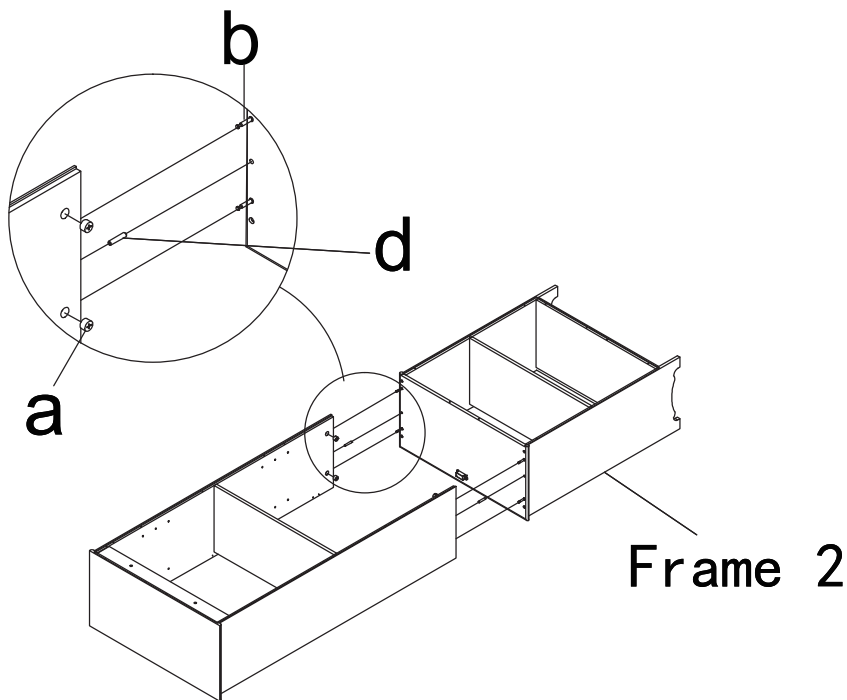
# Assembly Instructions

## Step 6



F x 1  
a x 6  
b x 6  
d x 6

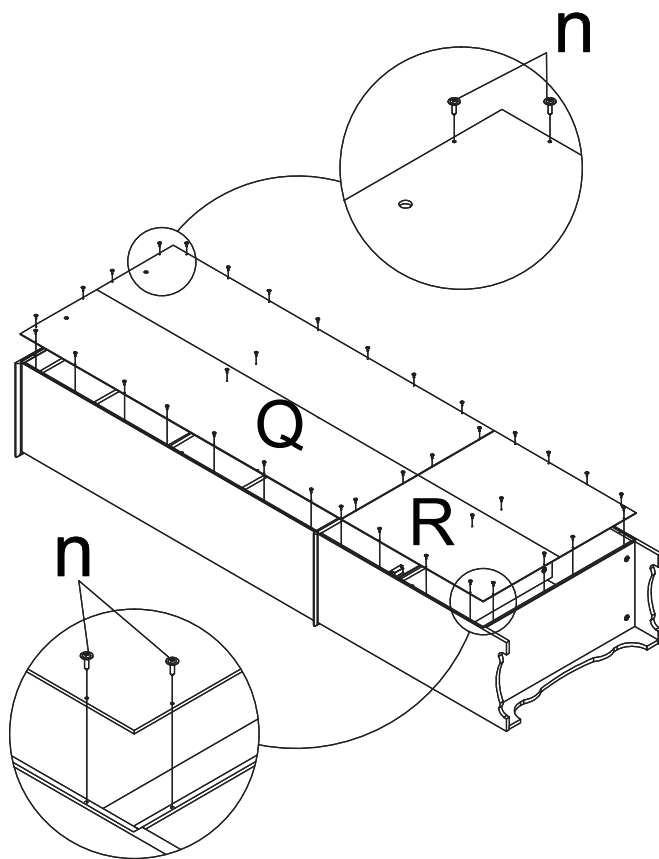
## Step 7



a x 4  
d x 2

# Assembly Instructions

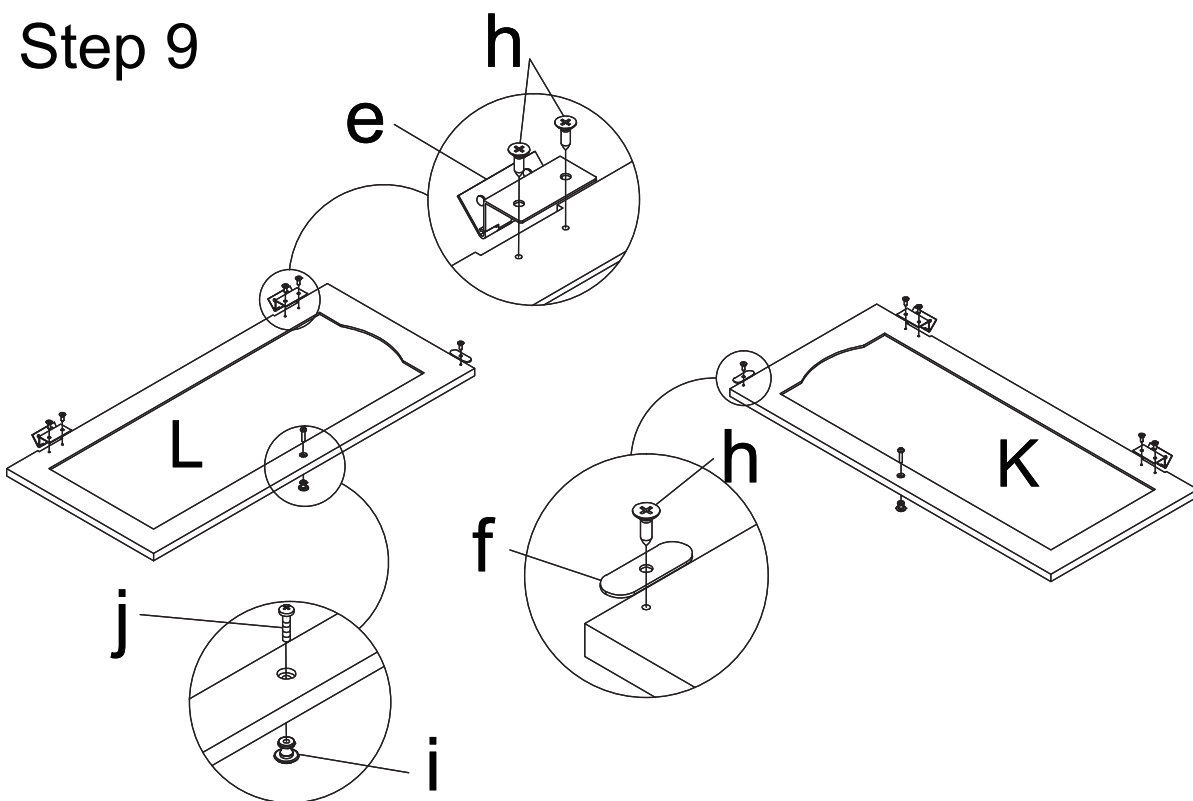
Step 8



Q x 1  
R x 1  
n x 38

Frame 3

Step 9



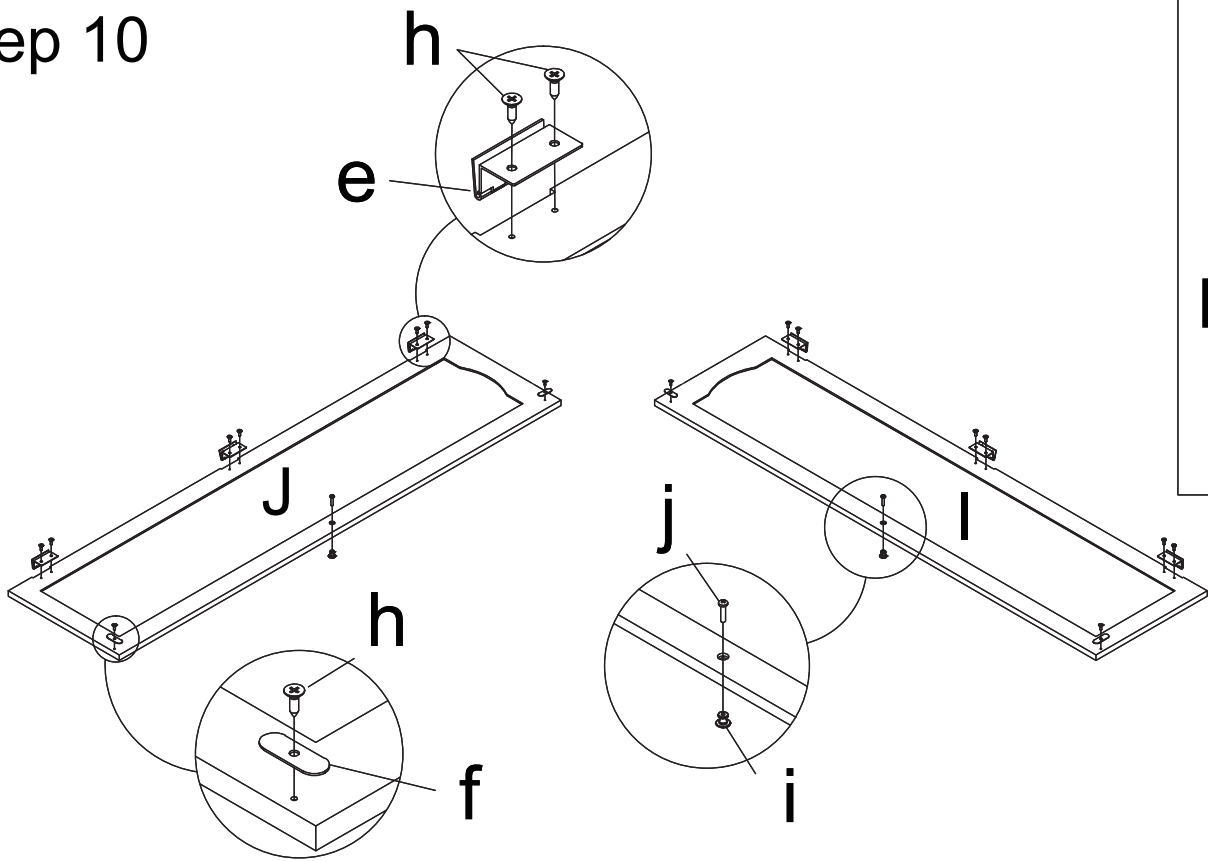
K x 1  
L x 1  
e x 4  
f x 2  
h x 10  
i x 2  
j x 2

Frame 4

Frame 5

# Assembly Instructions

Step 10

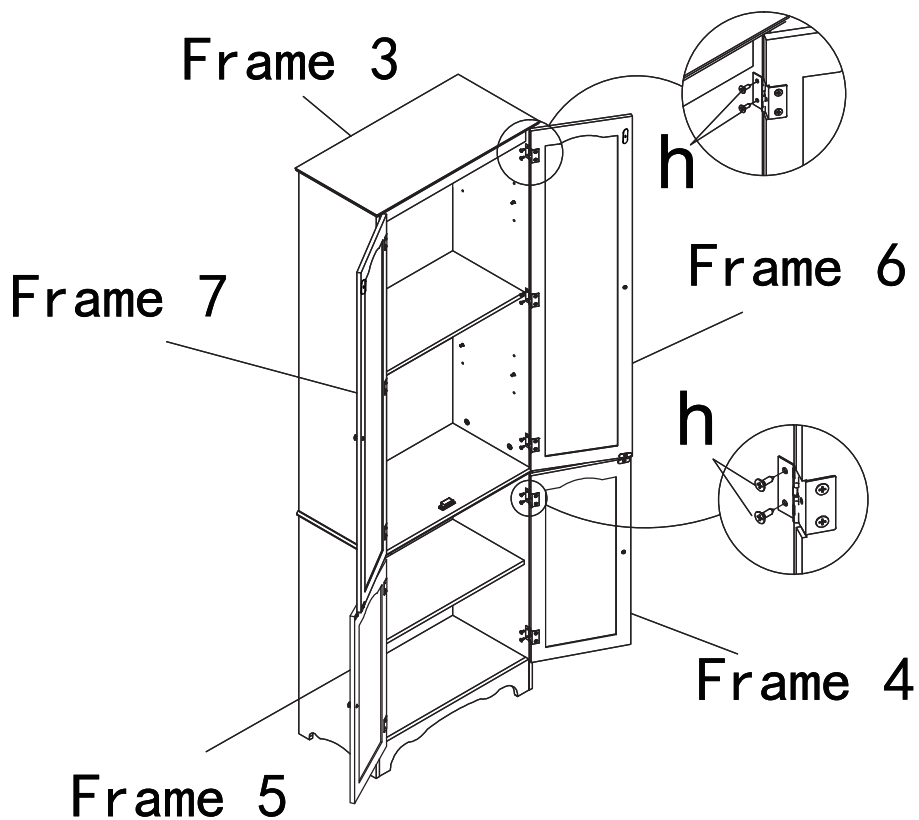


- I x 1
- J x 1
- e x 6
- f x 4
- h x 16
- i x 2
- j x 2

Frame 6

Frame 7

Step 11



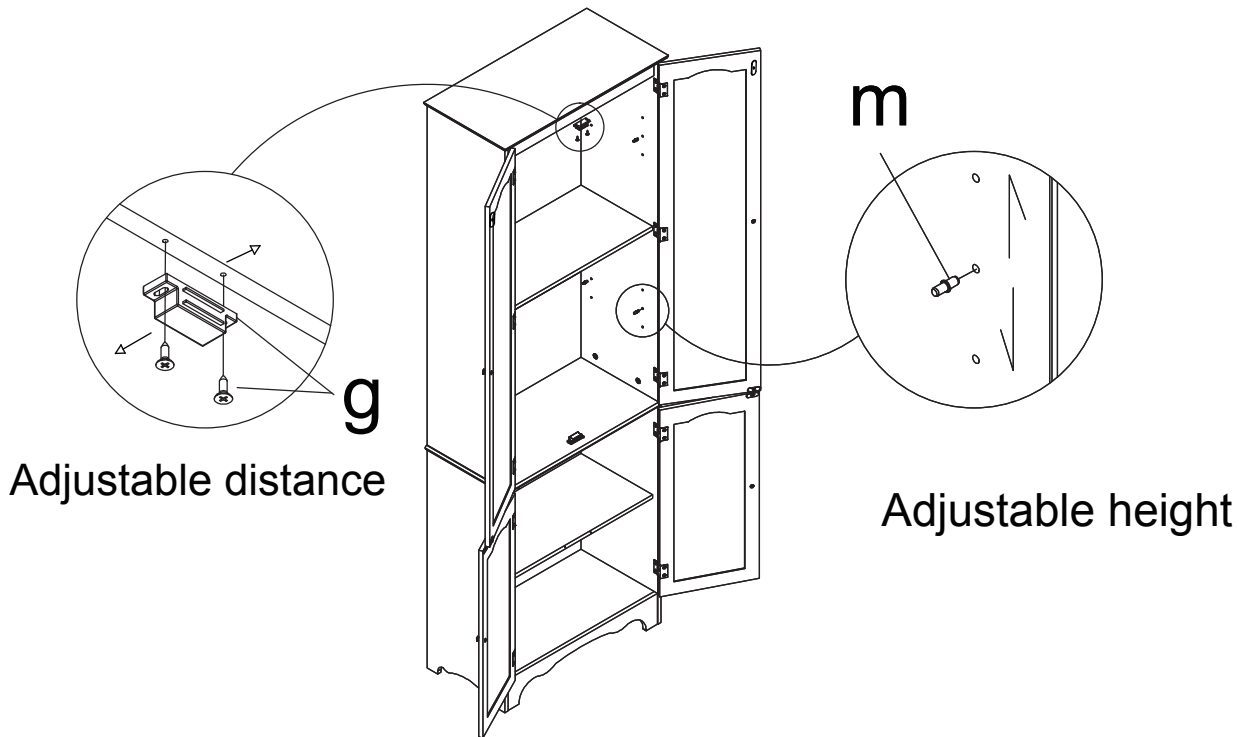
- h x 20

# Assembly Instructions

## Step 12

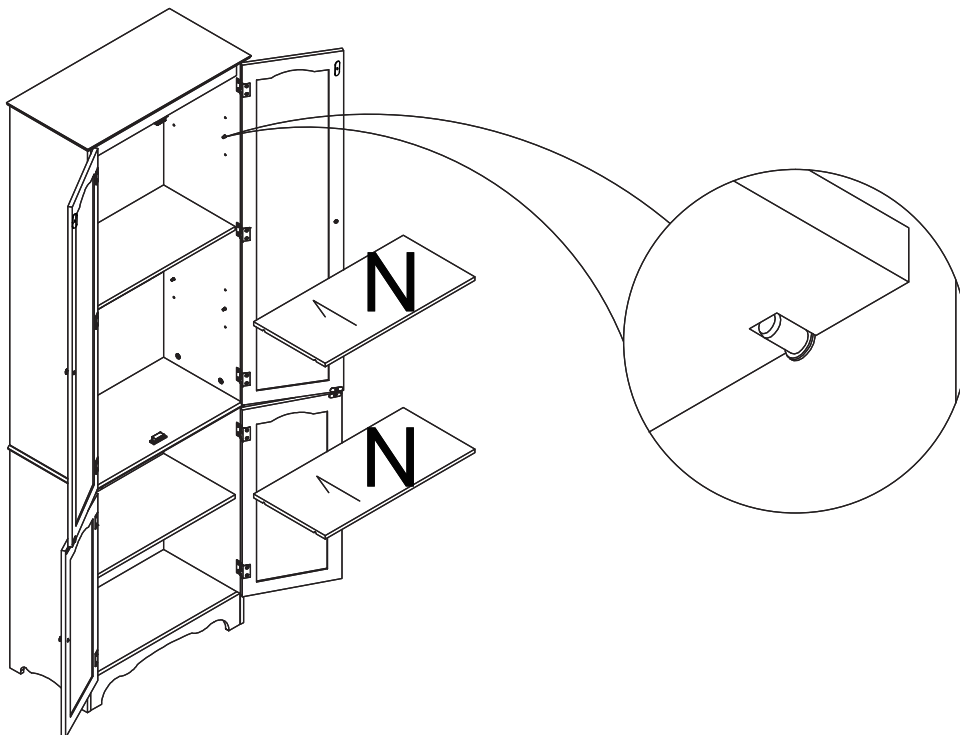
$g \times 1$

$m \times 8$



## Step 13

$N \times 2$

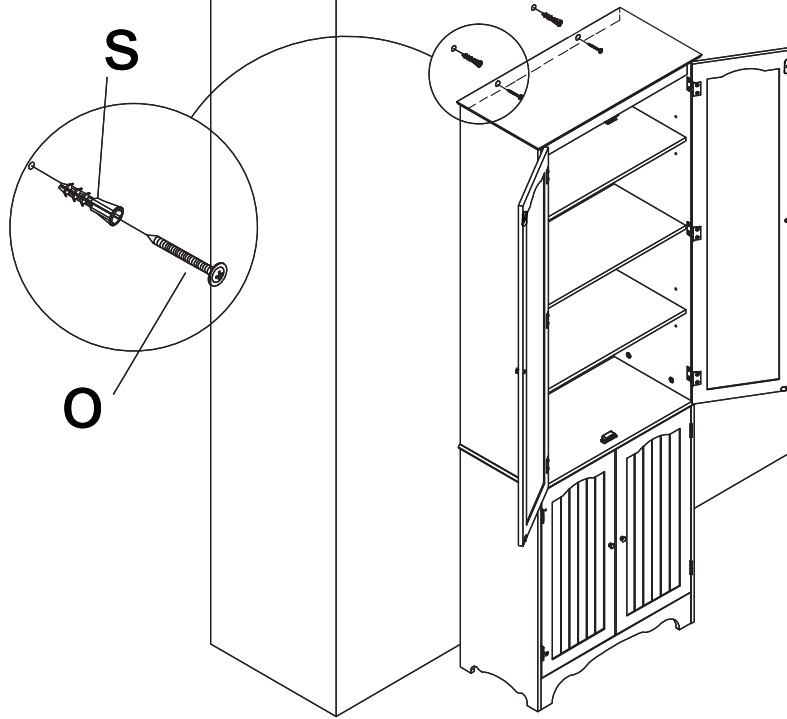


# Assembly Instructions

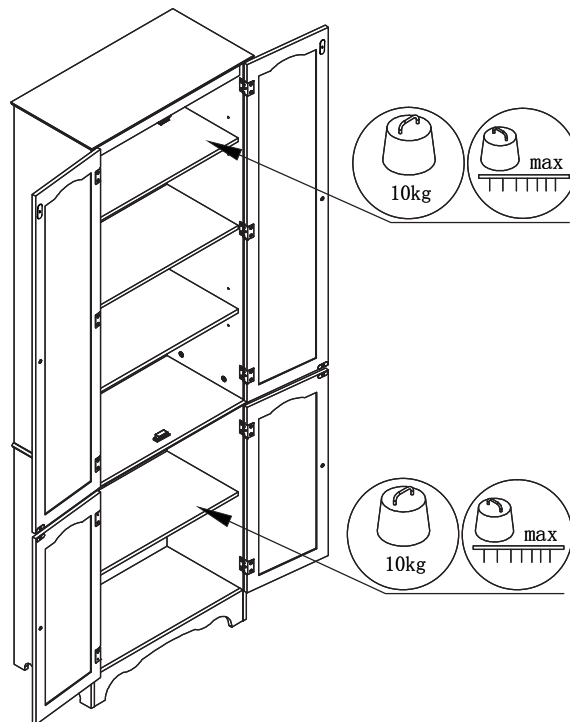
Step 14

o x 2

s x 2

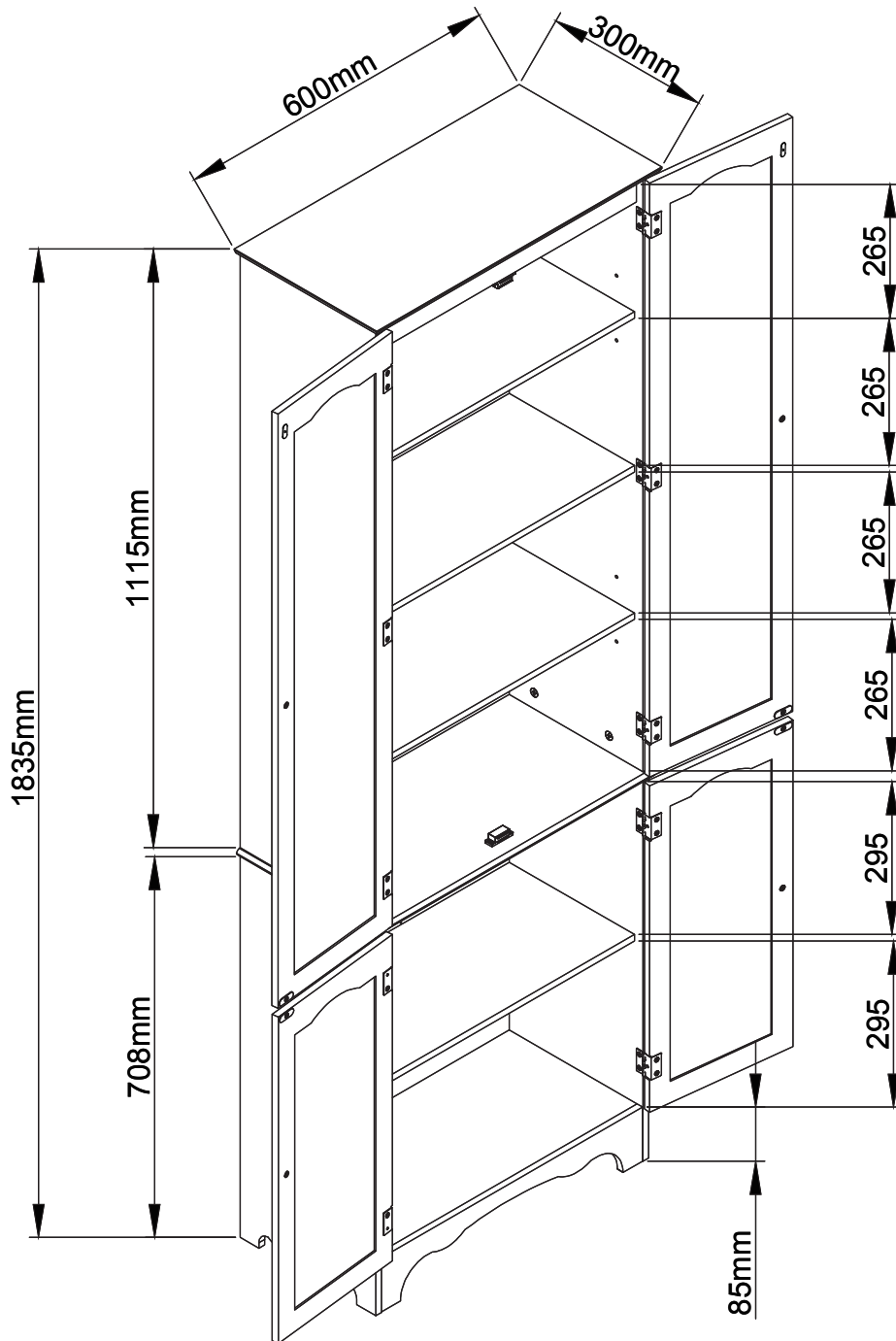


Step 15



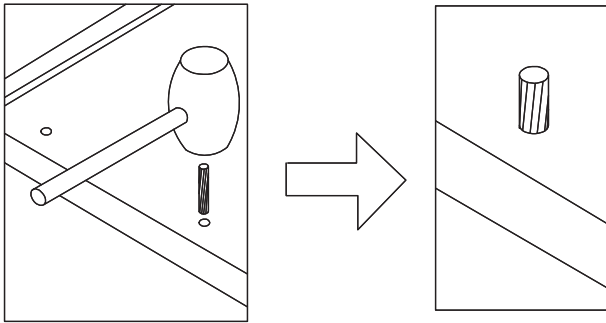
# Assembly Instructions

## Step 16



# Assembly Instructions

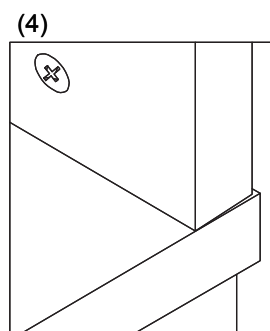
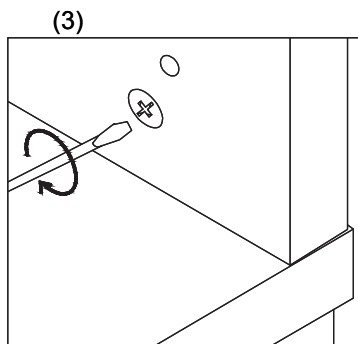
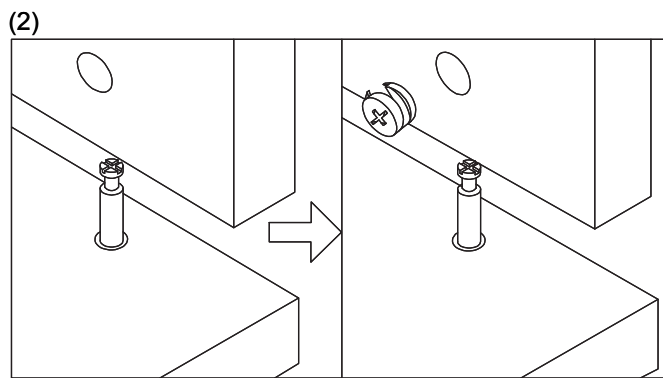
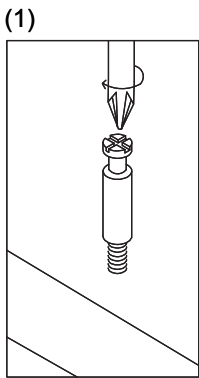
## Wooden dowel installation



**Gently tap dowel into hole with rubber mallet.**

## Hidden connector.....

### Assembly Techniques



# Assembly Instructions

## A Guide to Wall Mounting & Fixings

### Important notes:



Important: To make sure there is NO hidden wires or pipes inside the walls when drilling.

If plastic wall plugs (rawl plugs) are supplied with your product, eg:



For Block Masonry Walls.

If you have any doubt about the correct wall plugs for your walls, please seek professional advice before assembling.

Make sure that the screws and wall plugs being used are suitable for supporting your unit. Consult a qualified tradesperson if you are not sure.



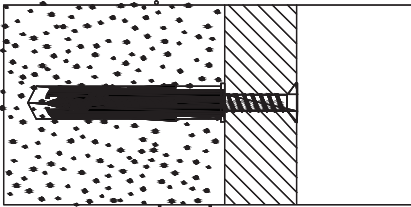
Hints:

1. General rule: always use a larger screw and wall plug if you are not sure.
2. Ensure you use the recommended drill bit to match the wall plug and hole size.
3. Ensure you drill the hole horizontally; do not force the drill or enlarge the hole.
4. Take extra care when drilling high walls, ceilings and ceramic tiles. Ensure
5. Ensure wall plugs are inserted beyond the thickness of the ceramic tiles to avoid the tiles splitting or cracking.

### Types of walls

You can use one of the following types of wall plug if your walls are made of brick, breeze block, concrete, stone or wood.

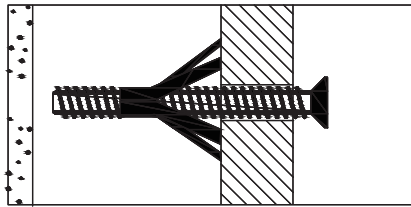
#### No. 1 "General Purpose" wall plug



Generally aerated blocks should not be used to support heavy loads,

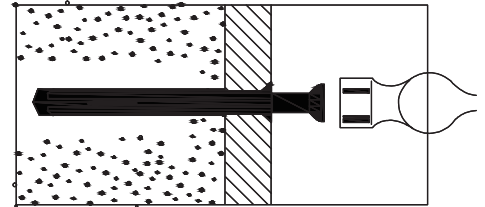
For light loads, general purpose wall plugs can be used.

#### No. 3 "Cavity Fixing" wall plug



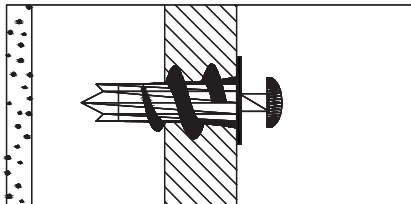
For use with plasterboard partitions or hollow wooden doors.

#### No. 5 "Hammer Fixing" wall plug



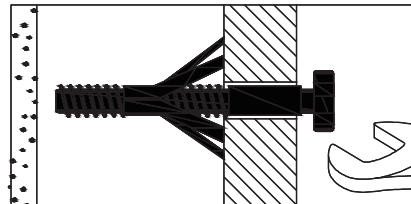
rather than the plasterboard. the retaining wall.

#### No. 2 "Plasterboard" wall plug



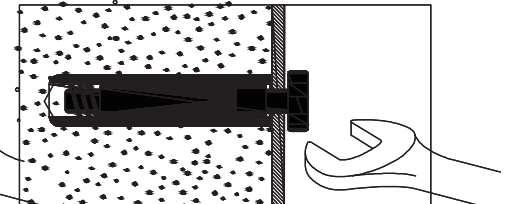
For use when attaching light loads onto plasterboard partitions.

#### No. 4 "Cavity Fixing - Heavy Duty" wall plug



heavy loads such as shelving, wall cabinets and coat racks.

#### No. 6 "Shield Anchor" wall plug - heavy loads



For use with heavier loads such as TV and HiFi speakers and satellite dishes etc.



### Care & Maintenance

Safety: Always check the fitting and location to ensure your safety in and around the home.

Fitting: From time to time check the fitting to ensure the wall plugs or screws do not become loose.