

## Hardware

## Tools Required



**A**  
6\*25 mm  
1x

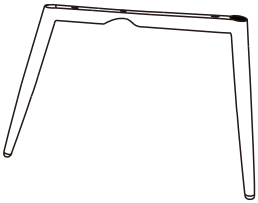


**B**  
6\*45 mm  
4x



**C**  
1x

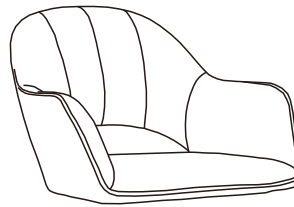
## Components



**D**  
1X



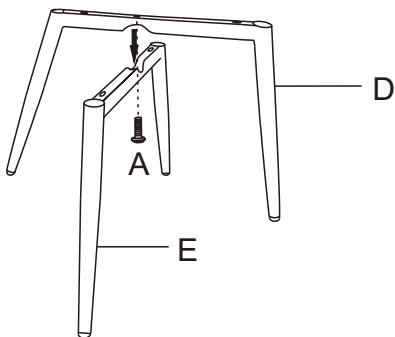
**E**  
1X



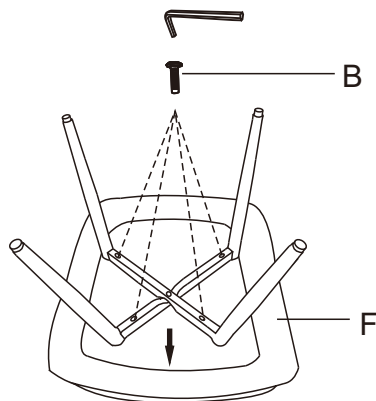
**F**  
1X

## Assembly Instructions

1



2



3

