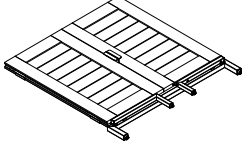
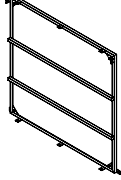
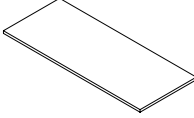
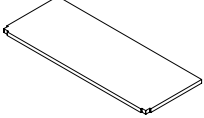
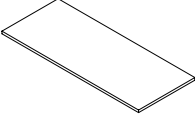
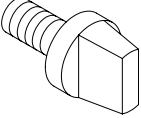
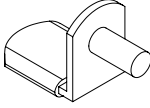
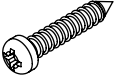
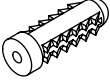


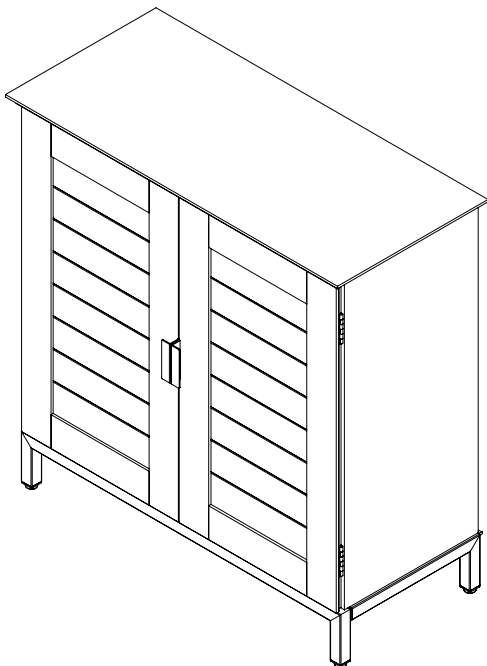


# ASSEMBLY INSTRUCTION

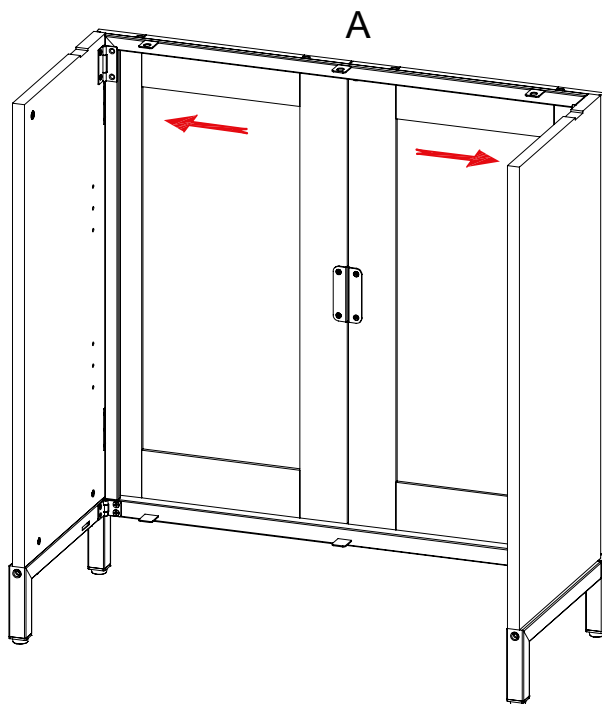
<b>A</b> Front Frame	<b>B</b> Back Frame	<b>C</b> Top Panel	<b>D</b> Bottom Panel
			
1PC	1PC	1PC	1PC
<b>E</b> Shelf Panel	<b>F</b> Bolt 1/4" x 13L	<b>G</b> Shelf Pin	<b>H</b> Wood Screw 4 x 25 x 9mm (Anti-Tipping)
			
2PCS	12PCS	4PCS	2PCS
<b>I</b> Wall Anchor (Anti-Tipping)	<b>J</b> Mounting Plate (Anti-Tipping)	<b>K</b> Connection Strap (Anti-Tipping)	
			
2PCS	4PCS	2PCS	



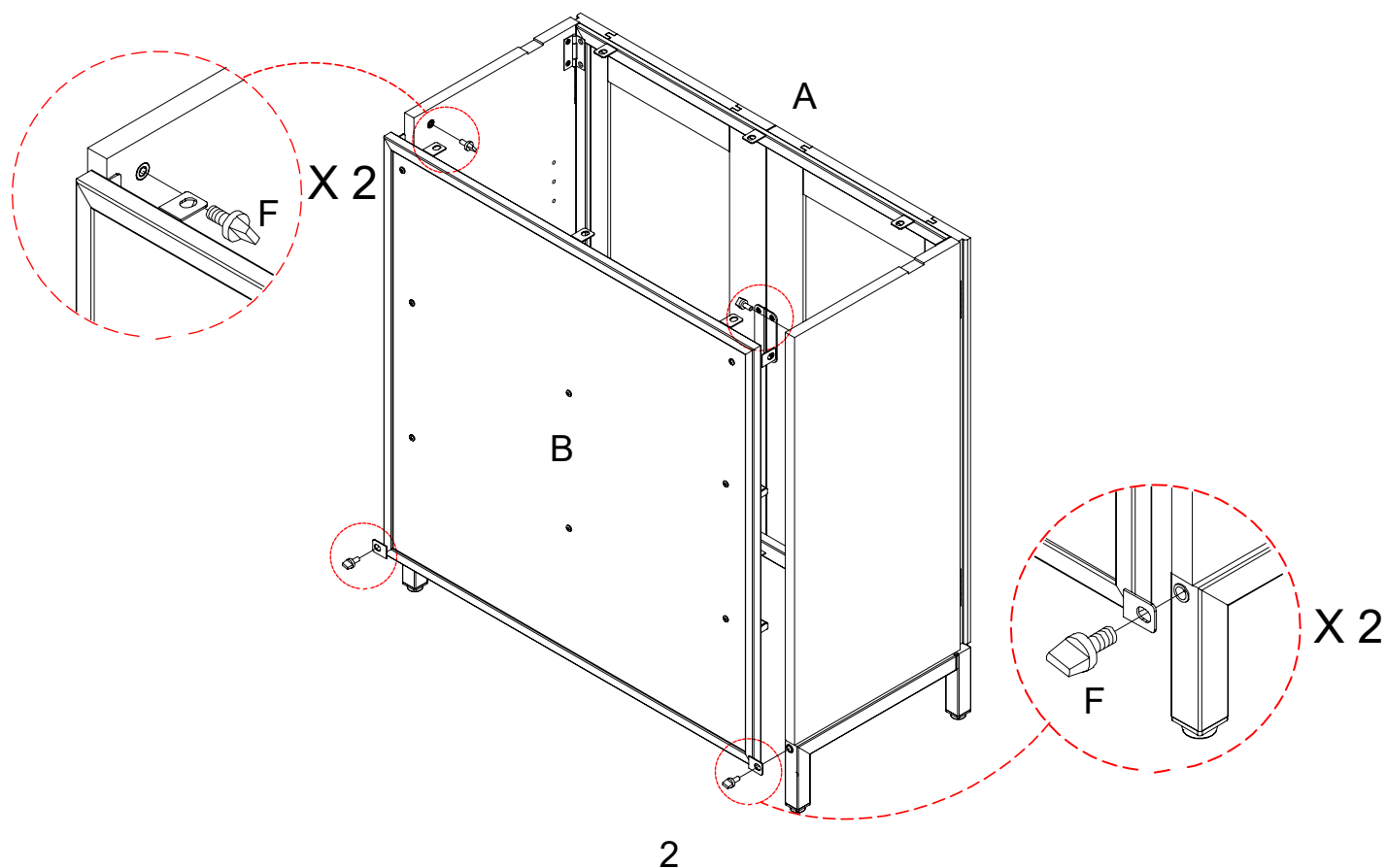
This page lists all the contents included in the box. Please take the time to identify the hardware as well as the individual components to this product. As you unpack and prepare for assembly, place the contents on a carpeted or padded area to protect them from damage.

\*\*\*Do not tighten screws & bolts until the entire unit is completely assembled.

**1** Unfold the Front Frame (A).

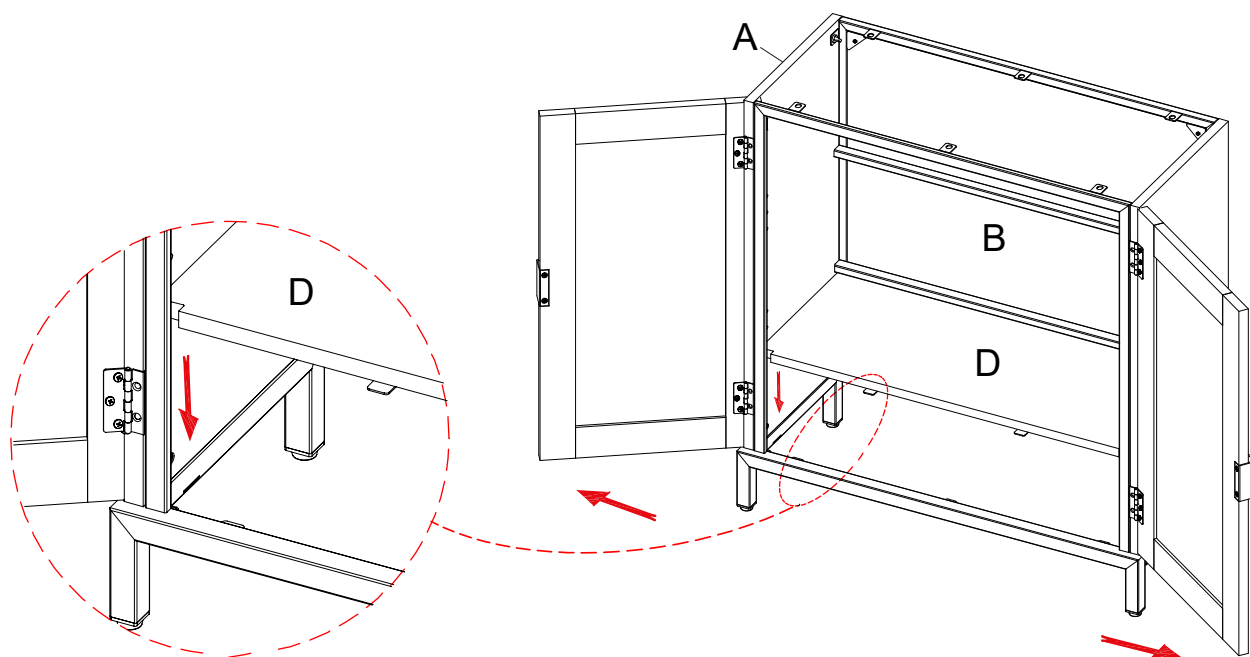


**2** Attach Back Frame (B) to the Front Frame (A) by using Bolt (F).

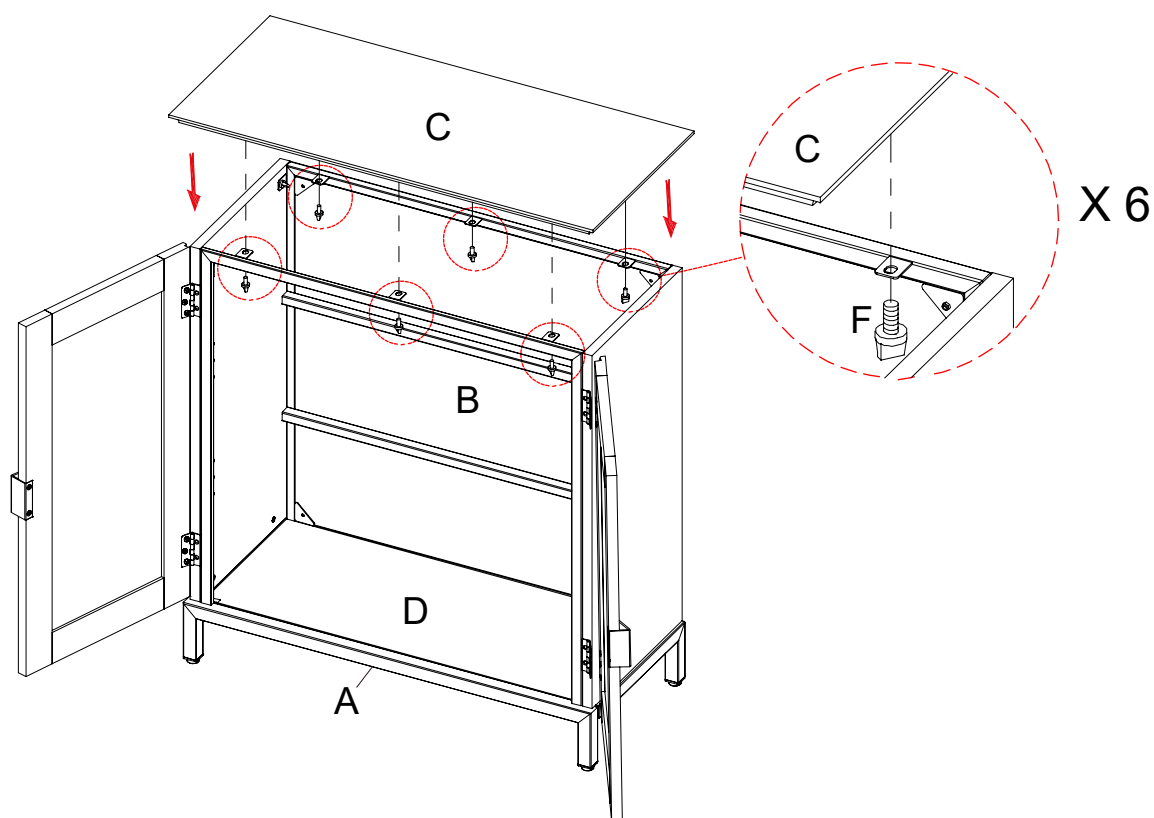


**3**

Place Bottom Panel (D) to the bottom of the frame.

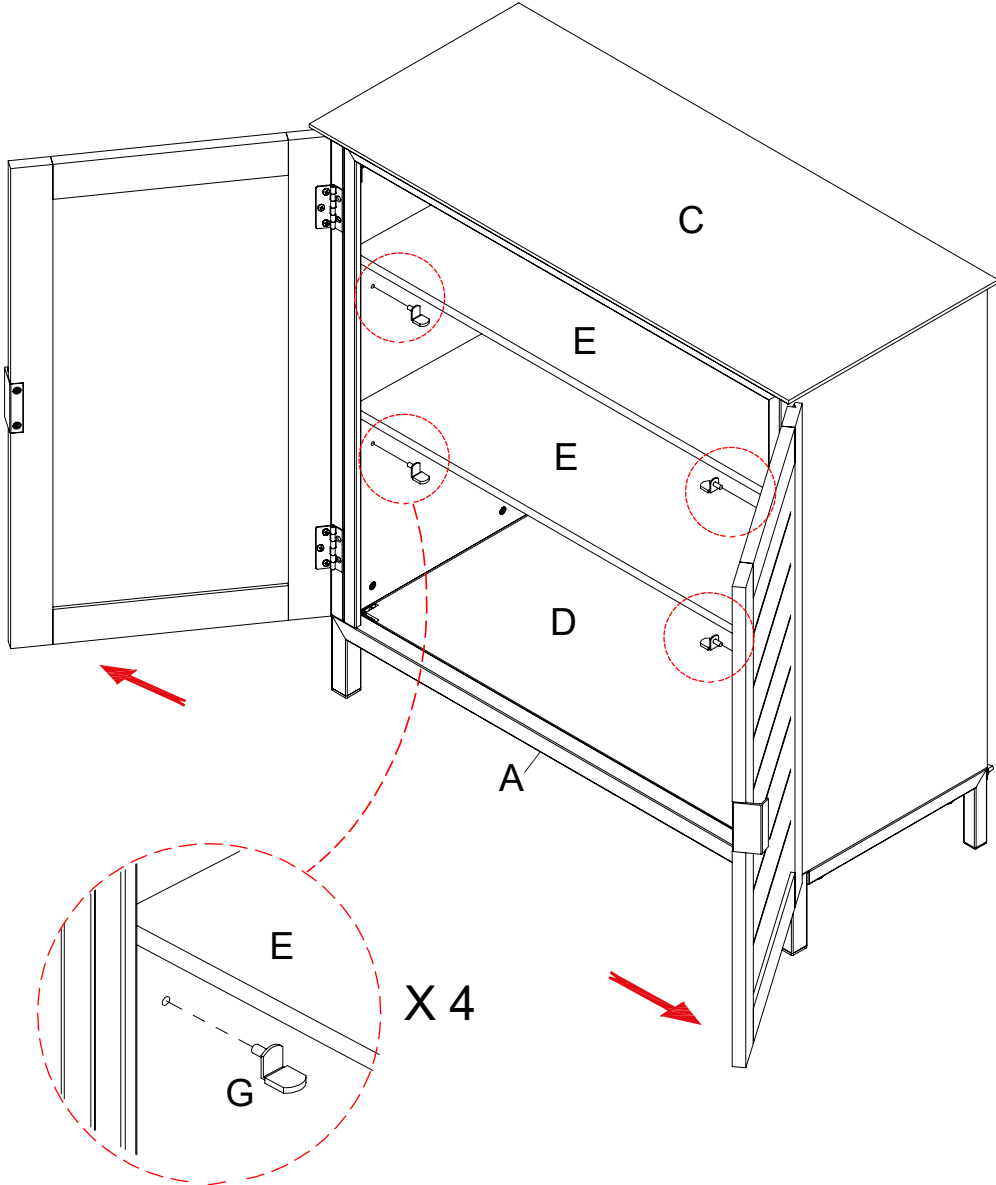
**4**

Attach Top Panel (C) to the unit by using Bolt (F).



**5**

Insert Shelf Pin (G) to the side panel of Front Frame (A), then place Shelf Panel (E) onto the Shelf Pin (G). Product is now completely assembled.



# 6

**\*NOTE: WE RECOMMEND THAT YOU ATTACH THE PRODUCT TO YOUR WALL AS A SAFETY PRECAUTION.**

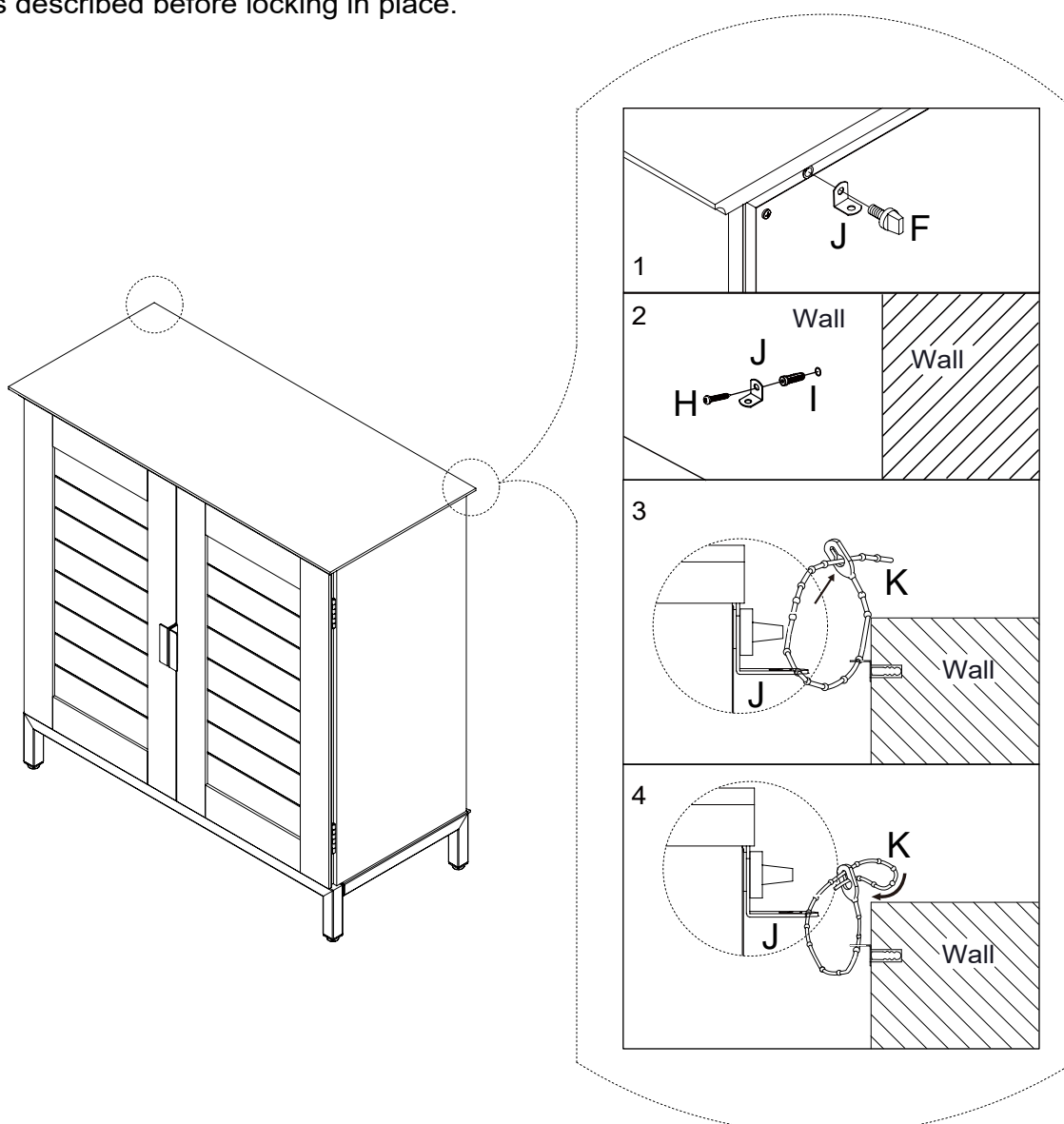
Attach Mounting Plate (J) to the holes on Back Frame (B) by using Bolt (F).

Drill 2 holes in your wall approximately 2" (Inches) BELOW the corresponding positions of Mounting Plate (J) and insert Wall Anchor (I) as shown.

**\*NOTE: You may need to tap LIGHTLY with a rubber mallet.**

Attach Mounting Plate (J) to Connection Strap (K) with Wood Screw (H), making sure the Tabs extend UPWARD.

Now connect the corresponding Mounting Plate (J) with Connection Strap (K) and tighten as described before locking in place.



## Cleaning & Care

Treat surface with care. Surface is resistant to scratches but is not scratch resistant. Clean surfaces with a dry or damp soft cloth. Do not use abrasive cleaners. Hardware may loosen over time. Periodically check that all connections are tight.