

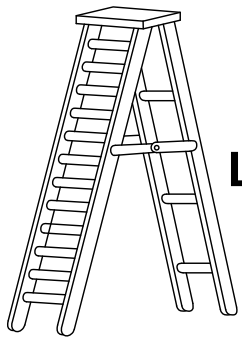
## ASSEMBLY INSTRUCTIONS



**CAUTION**

- ◆ Inspect the wire insulation for any cuts, abrasions, or exposed copper that may have resulted during shipping. If there is a defect in the wire, do not attempt installation.
- ◆ Before starting installation of this fixture or removal of a previous fixture, disconnect the power by turning off the circuit breaker or by removing the fuse at the fuse box.

## TOOLS REQUIRED



**Ladder**

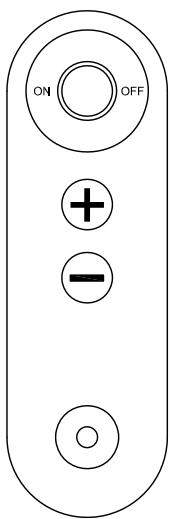


**Safety  
glasses**

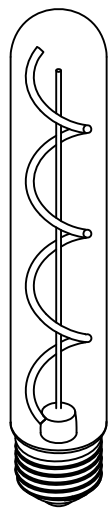


**Phillips  
screwdriver**

## PARTS SHOWN MAY DIFFER SLIGHTLY PER LIGHT FIXTURE



**REMOTE CONTROL**

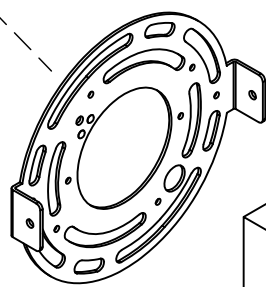


**LOW-VOLTAGE—5V  
BULB**

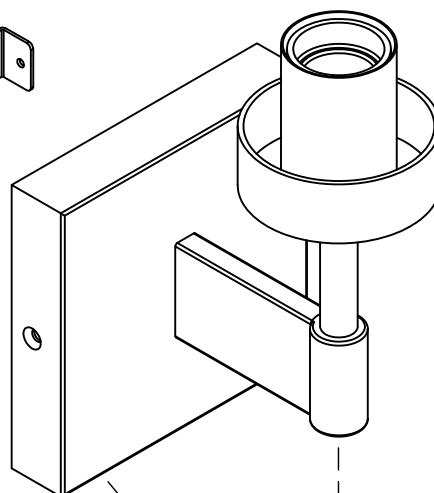


**GLASS SHADE**

**MOUNTING PLATE**

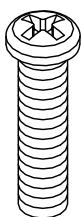


**SCREW**

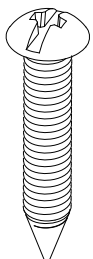


**LAMP BODY**

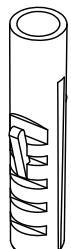
**PART BAG**



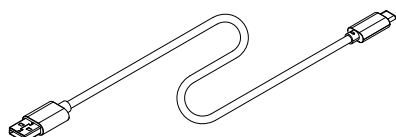
**X2**



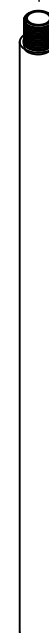
**X2**



**X2**



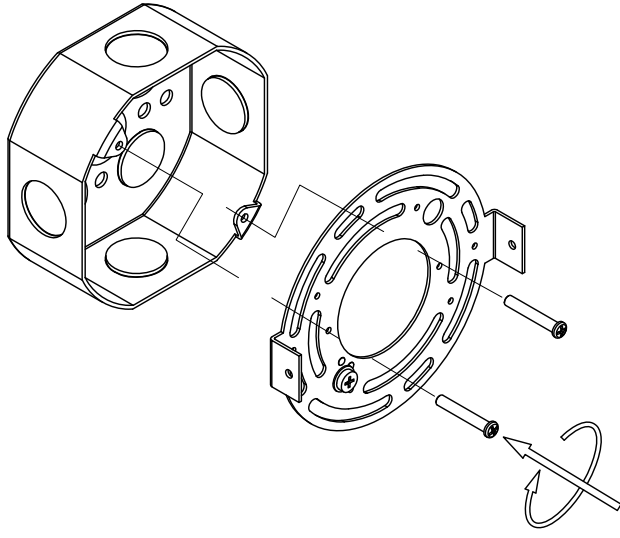
**X1**



**TUBE**

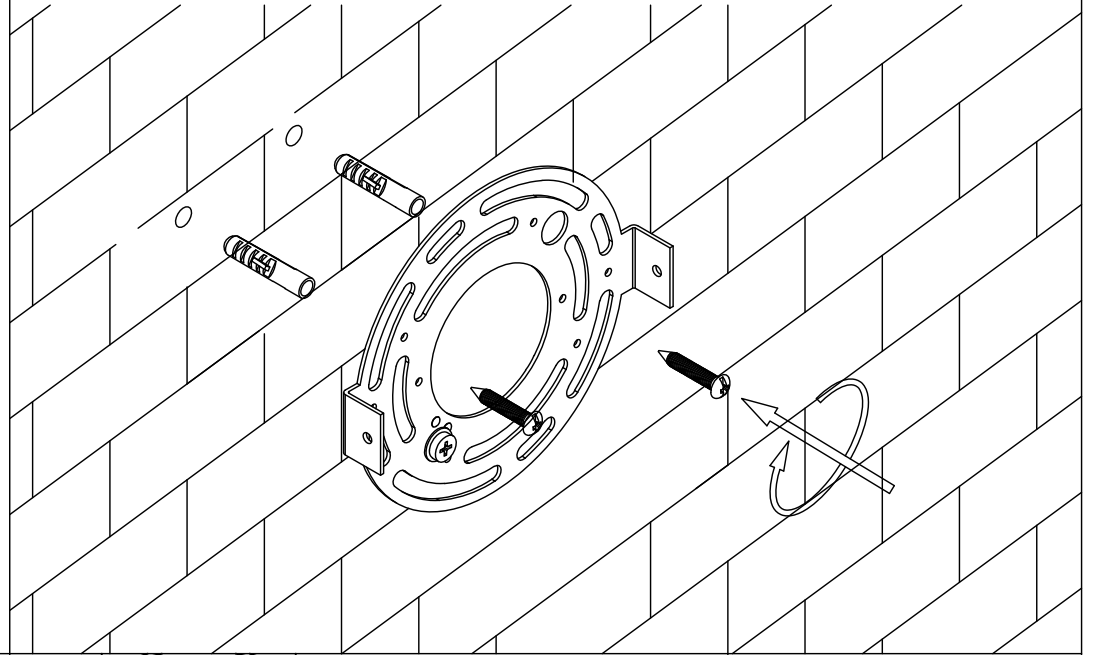
### Step 1a

Use the mounting screws to attach the mounting plate to the junction box(not included).



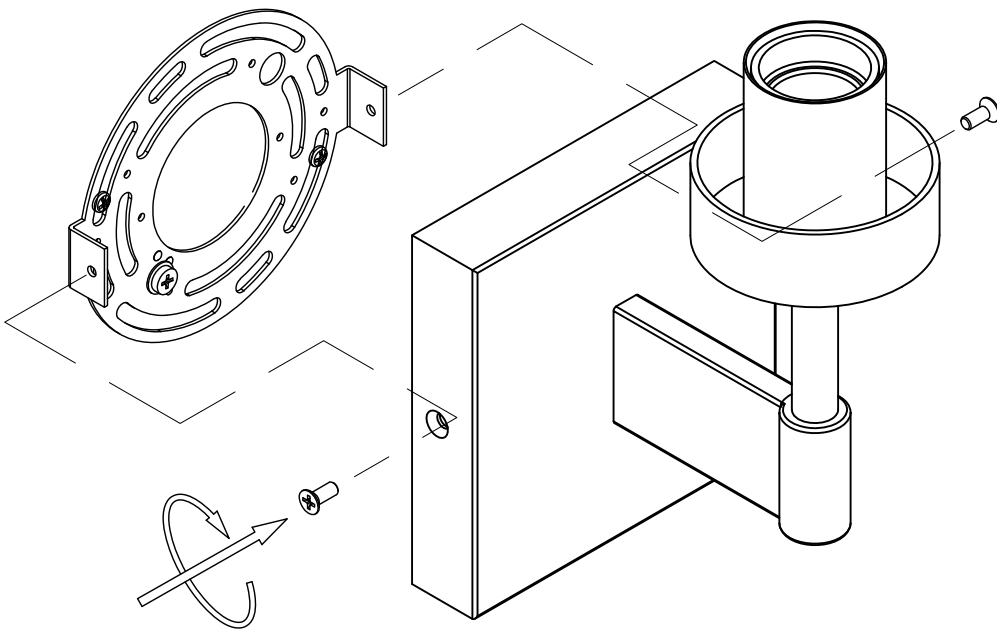
### Step 1b

Use the mounting screws to attach the mounting plate to the junction box(not included).



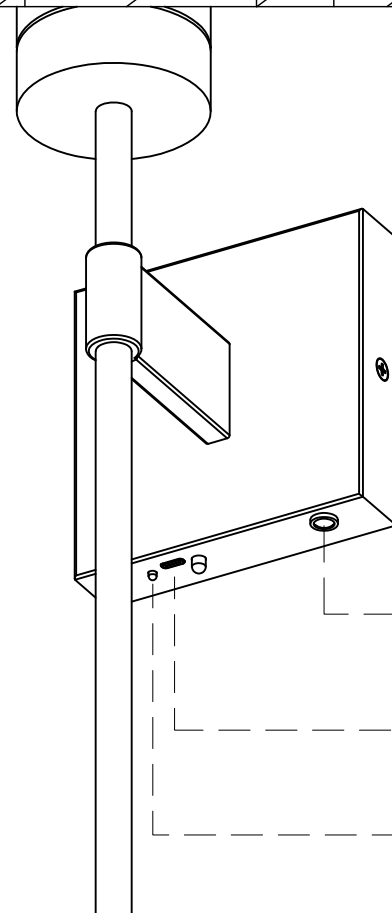
### Step 2

Attach the lamp body to the mounting plate.



### Step 4

choose the right bright



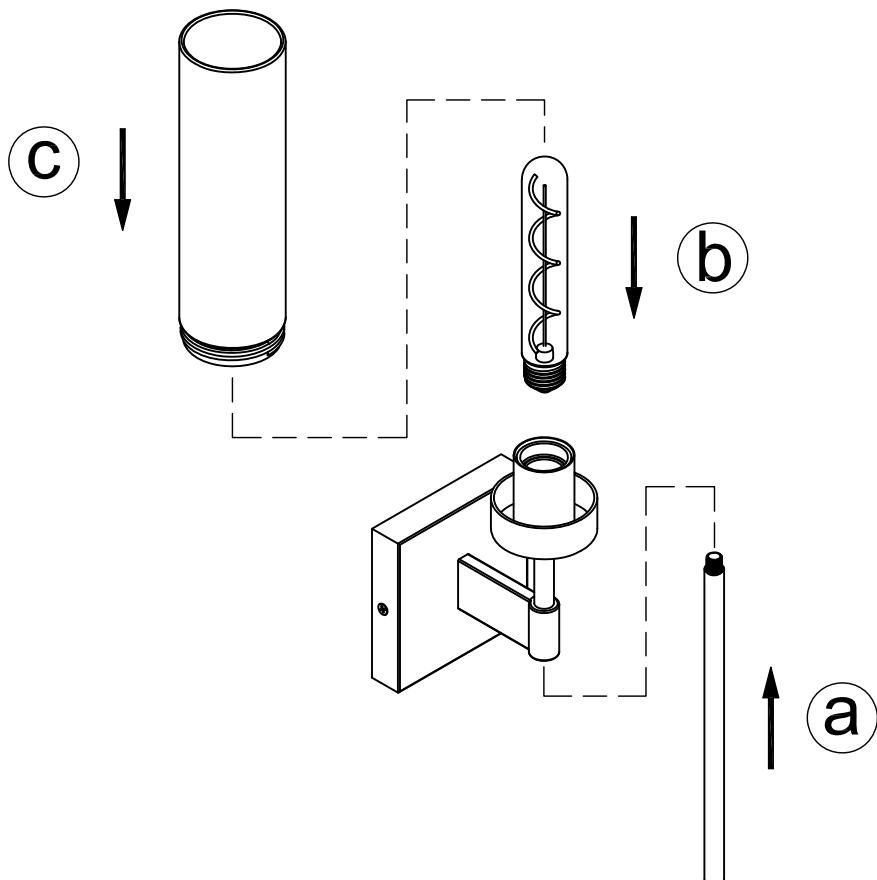
Short press to turn ON /OFF  
Long press to adjust the  
brightness

Charge pot

The indicator light will turn red  
during charging and green when  
fully charged.

### Step 3

- Install the tube
- Install the bulb(included,only low-voltage—5V bulbs can be used)
- Install the glass shade



## SCONCE

