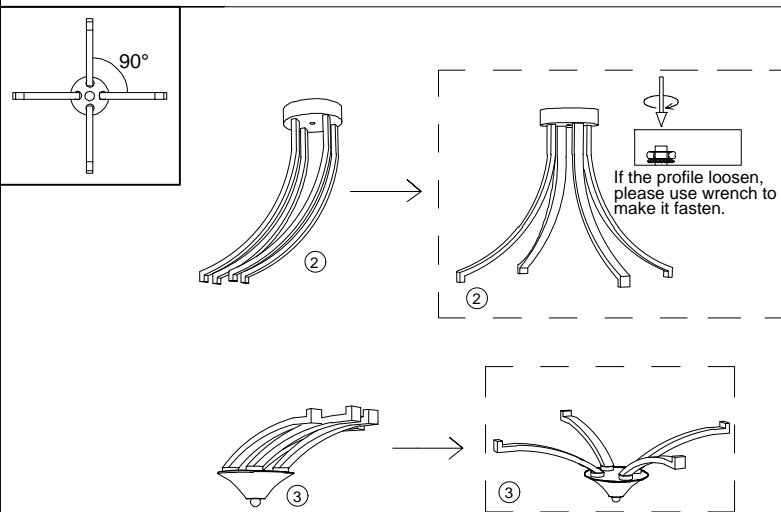
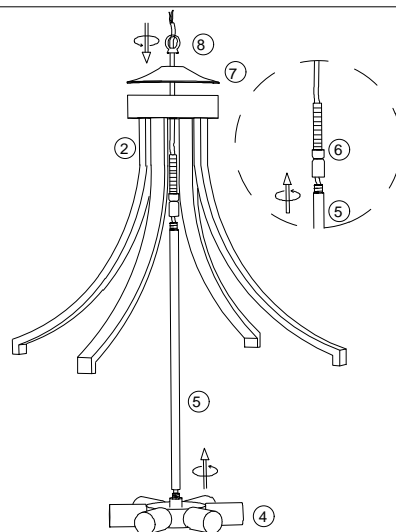


1. Assemble the split lampshade to be a completed part with screw.

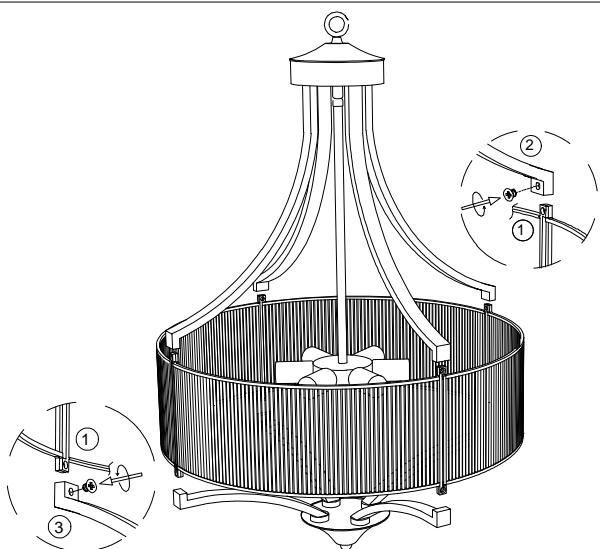


2. Open and adjust the profile of frame ② and frame ③ to 90 degree to each other like picture shown.

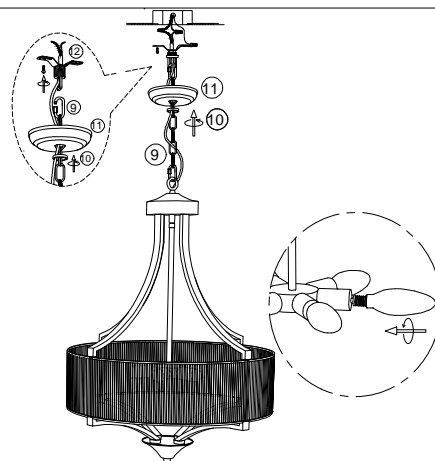


3. Let the wire of the fixture ④ go through the tube ⑤ and threaded rod ⑥, rotate to install both to the fixture.

4. Let the wire go through the metal frame ②, cover ⑦ and ring ⑧, rotate ring ⑧ to install all parts to the fixture.



5. Install the lampshade to the fixture with screw, after that install the metal frame ③ to the lampshade with screw.



6. Install the bracket to the ceiling junction box with screw.

7. Install the chain ⑨ to the fixture and let the wire go through the chain ⑨.

8. Let the chain ⑨ and wire go through the ring ⑩ and canopy ⑪, hang the chain ⑨ to the bracket ⑫.

9. Connect the wire to the home line with cap connector.

10. Install the canopy ⑪ to the bracket with ring ⑩.

11. Install the bulb. (bulb is not included in the package)

Please read carefully before installation!!!

Note : Please make sure that the electricity is powered off during installation !

Only a professional electrician should install this kind of product !