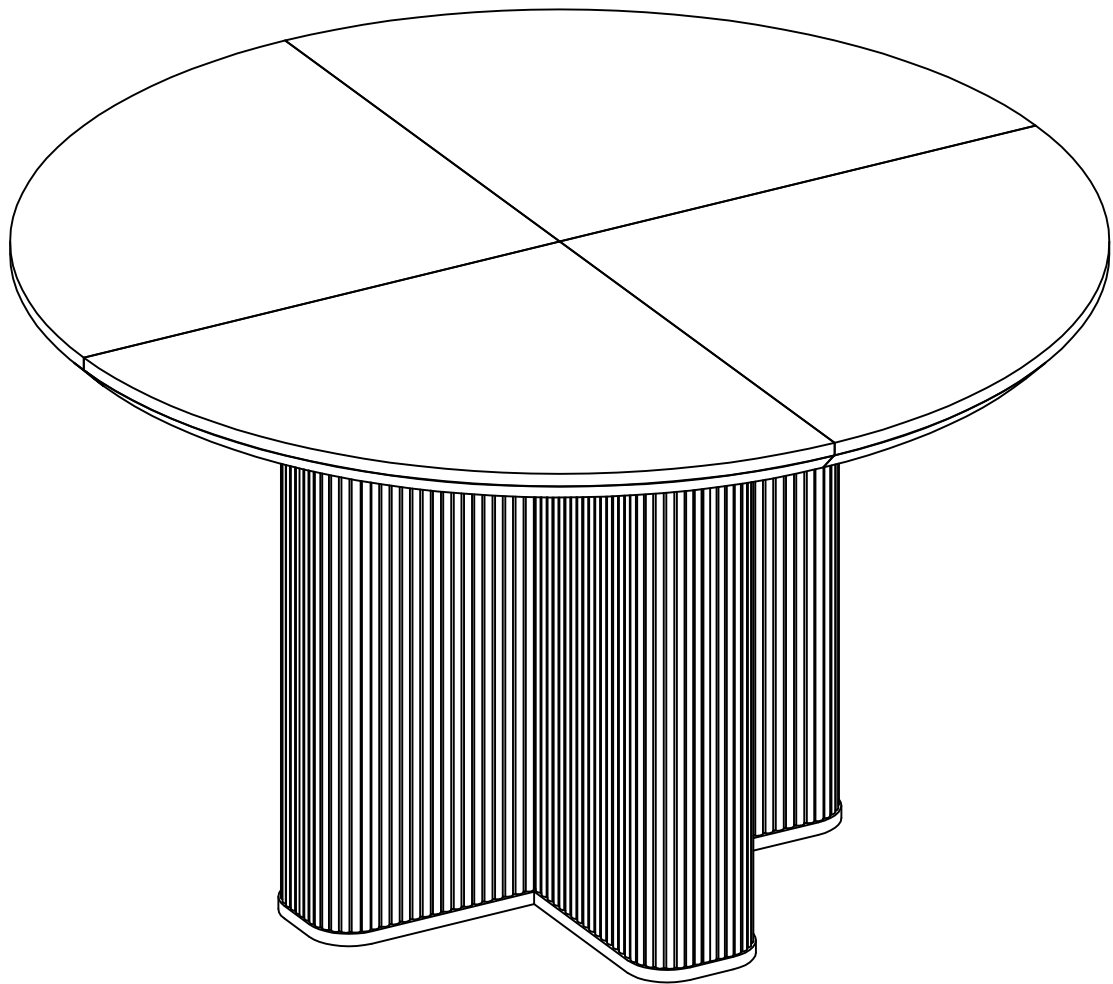


ILSC48RDT-N

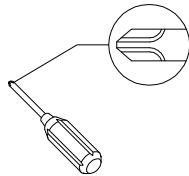
Assembly Instructions



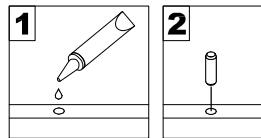
Date 2026-3-11 Rev.02-A

General Assembly Guidelines

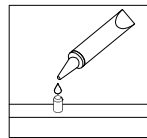
- I. Ensure that all parts and hardware are available before beginning assembly.
- II. Follow each step carefully to ensure the proper assembly of this product.
- III. Two people are recommended for ease in the assembly of this product.
- IV. A Phillips head screwdriver is required for the assembly of this product .



- V. The provided glue is to secure wood dowels in place . When first inserting dowels , locate the appropriate hole for the dowel , place a small amount of glue in the hole and insert the dowel . Wipe away excess glue immediately.

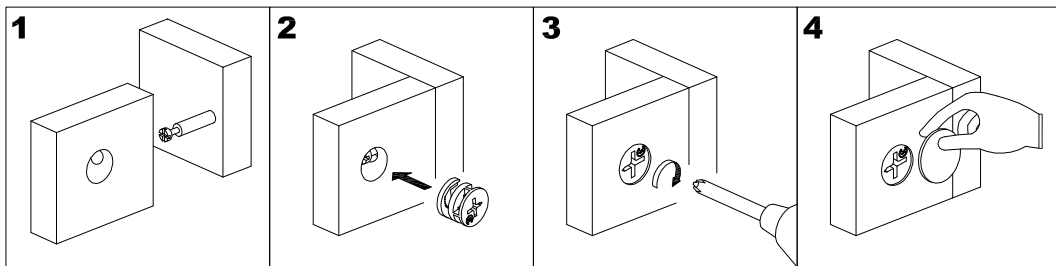


In future assembly steps when dowels are necessary to attach assembly parts together , place a small amount of glue on the end of the dowel before attaching parts together . Wipe away excess glue immediately.

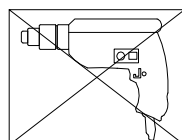


VI HOW THE KNOCK DOWN (KD) ASSEMBLY SYSTEM WORKS

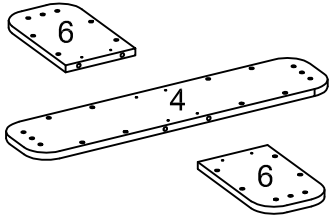
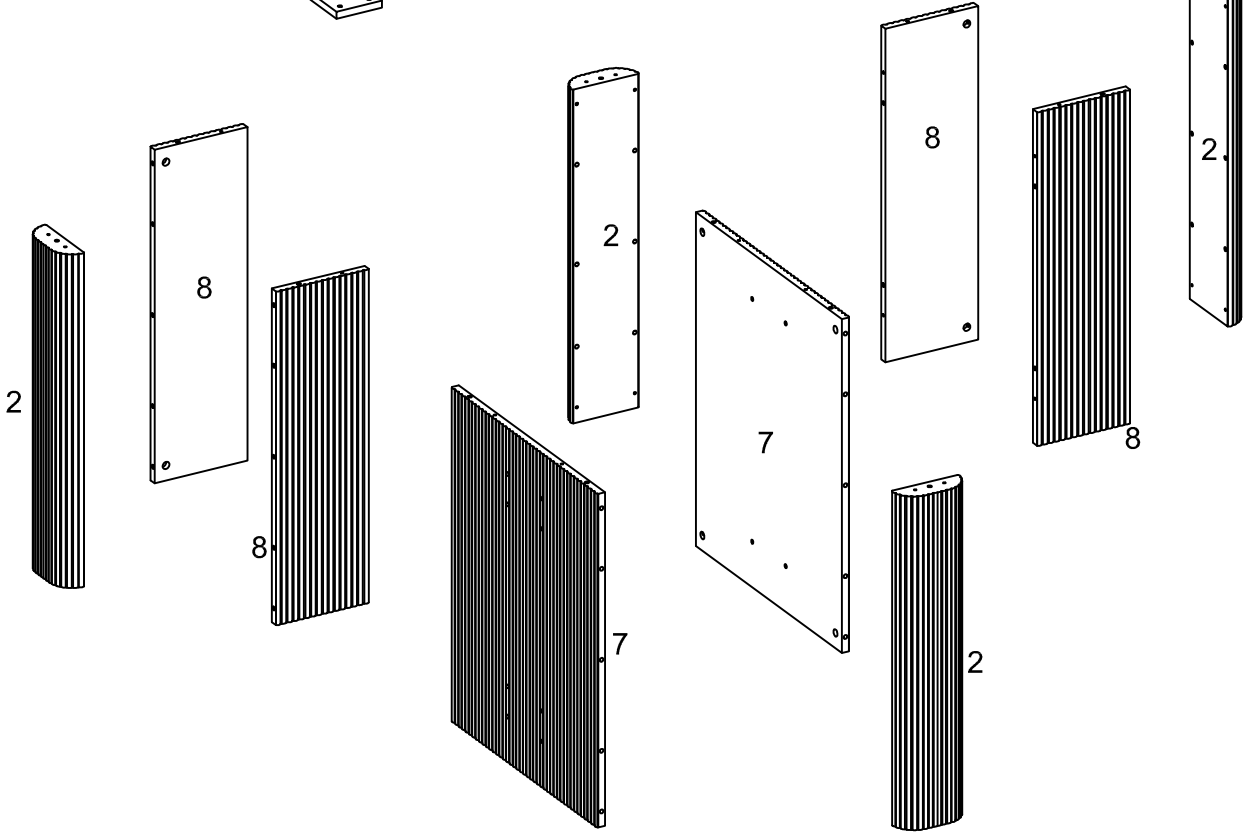
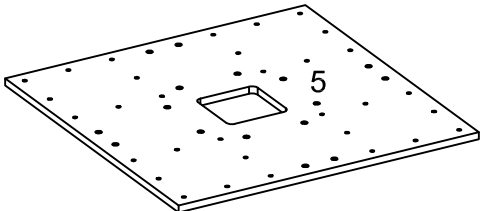
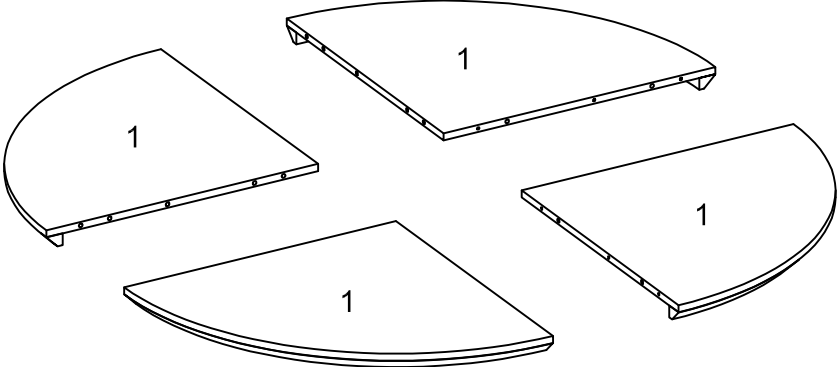
- 1.Screw the Cam Bolt into the pre-drilled hole on the panel. Make sure Cam Bolt goes into the pre-drilled hole on the end of panel for Cam Lock.
- 2.Insert the Cam Lock into the pre-drilled large hole on the panel. Make sure the arrow on the face of Cam Lock points towards Cam Bolt.
- 3.Take a Phillips screwdriver and rotate the Cam Lock clockwise to lock the Cam Bolt.
- 4.Use the sticker to conceal the Cam.




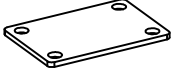

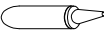


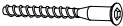



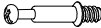
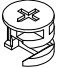

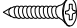
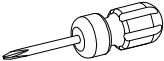
- VII. Power tools should not be used to assemble this product .

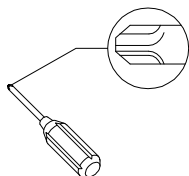


Parts List



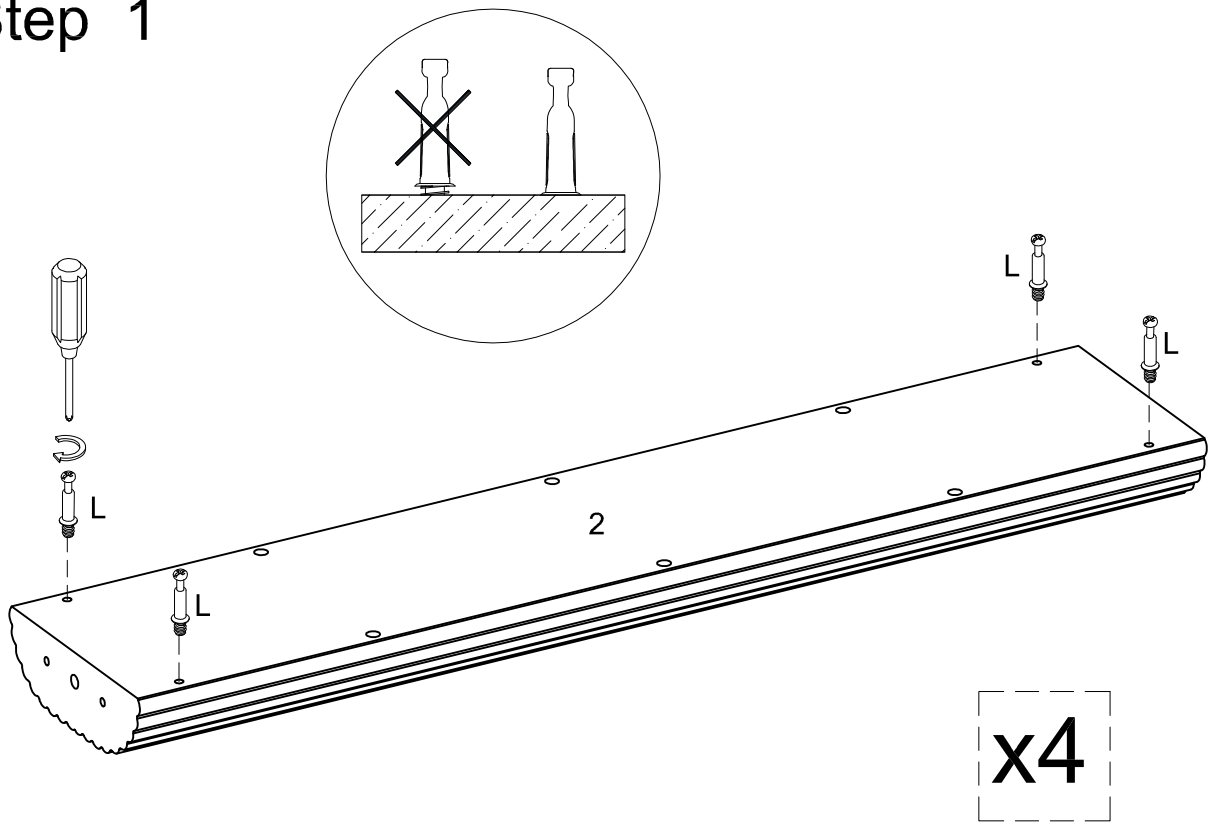
Hardware List

A		Ø8x40mm	Large Dowel	12 pcs
B		80x54x3mm	Metal plate	4 pcs
C		Ø8x30mm	Medium Dowel	56 pcs
D			Glue	2 pcs
E		Ø6x20mm	Small Dowel	16 pcs
F		Ø1/4"x13mm	Bolt	16 pcs
G		Ø6x50mm	Screw	40 pcs
H		M 4	Allen Wrench	2 pcs
J		Ø16x1.5mm	Flat Washer	20 pcs
K		Ø1/4"x25mm	Bolt	20 pcs
L		Ø6x35mm	Cam Bolt	28 pcs
M		Ø15x11mm	Cam Lock	28 pcs
N			Metal Plate	4 pcs
P		Ø3.5x12mm	Screw	8 pcs
Q			Short Screwdriver	1 pc



Philips head screwdriver required for assembly
(not included)

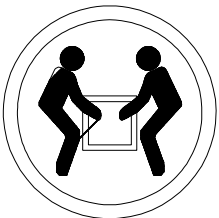
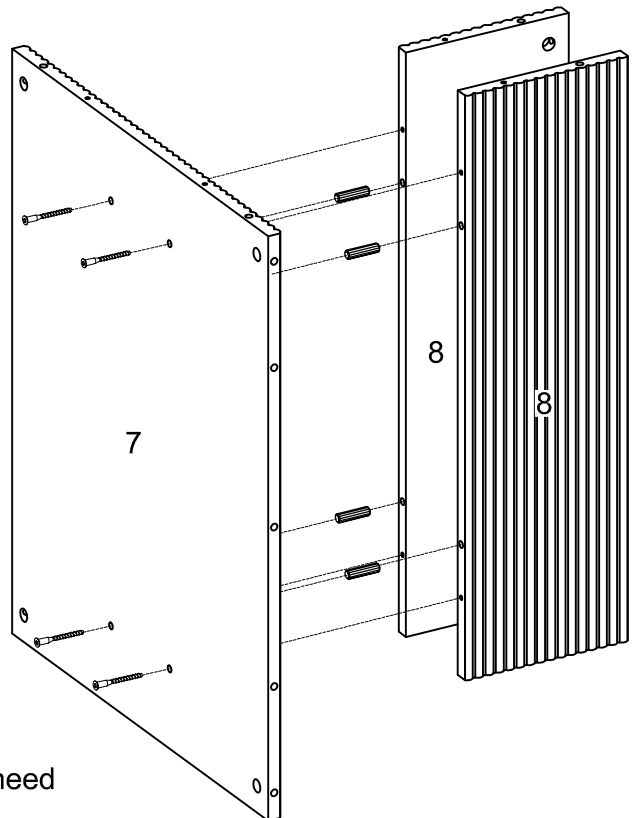
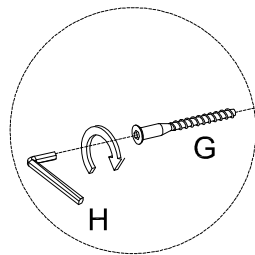
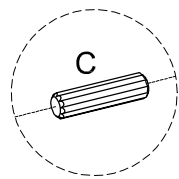
Step 1



Step 2

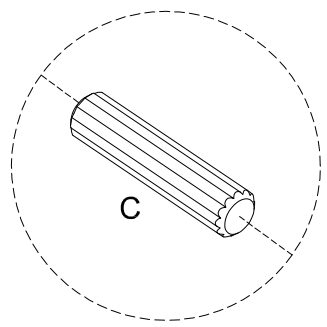
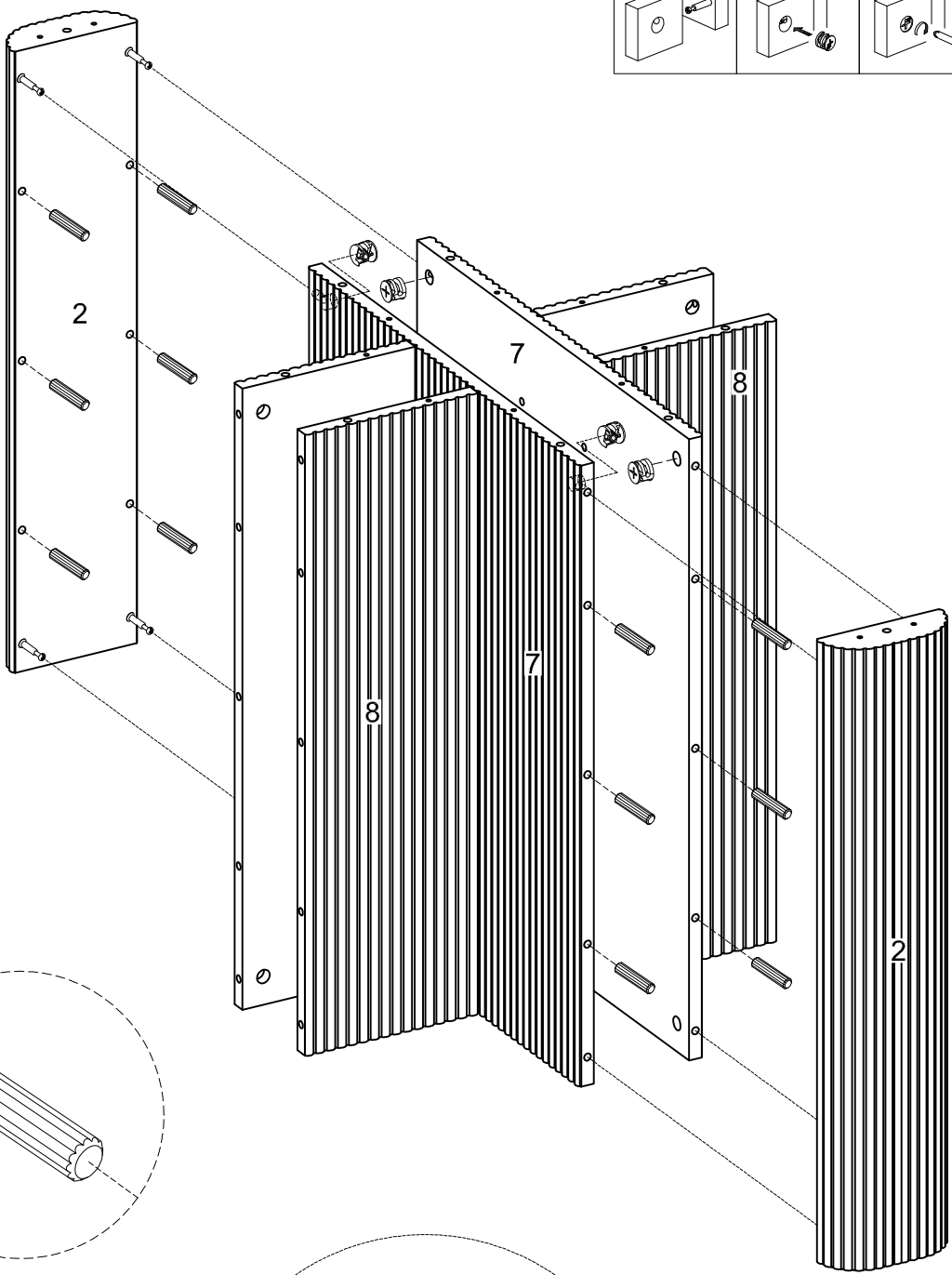
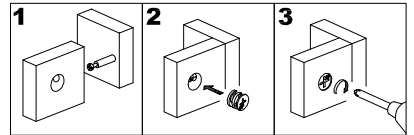
x2

Medium dowel

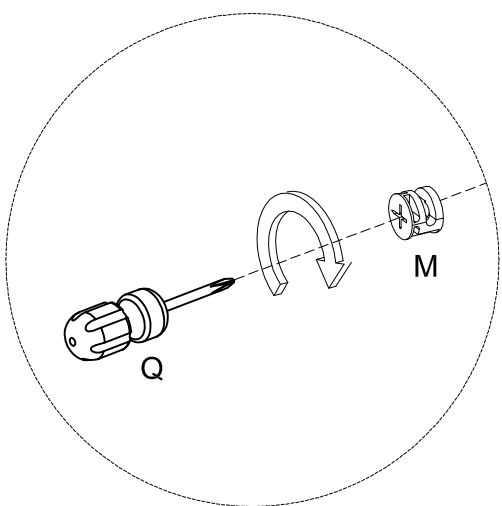


CAUTION: Heavy! You may need assistance with this step.

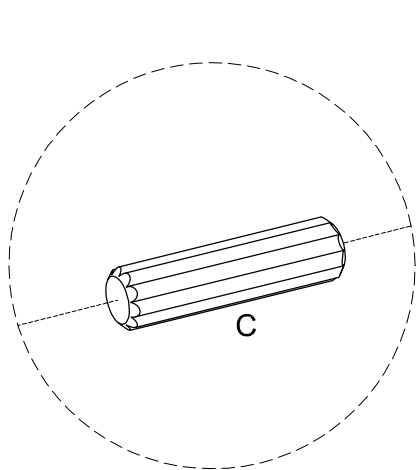
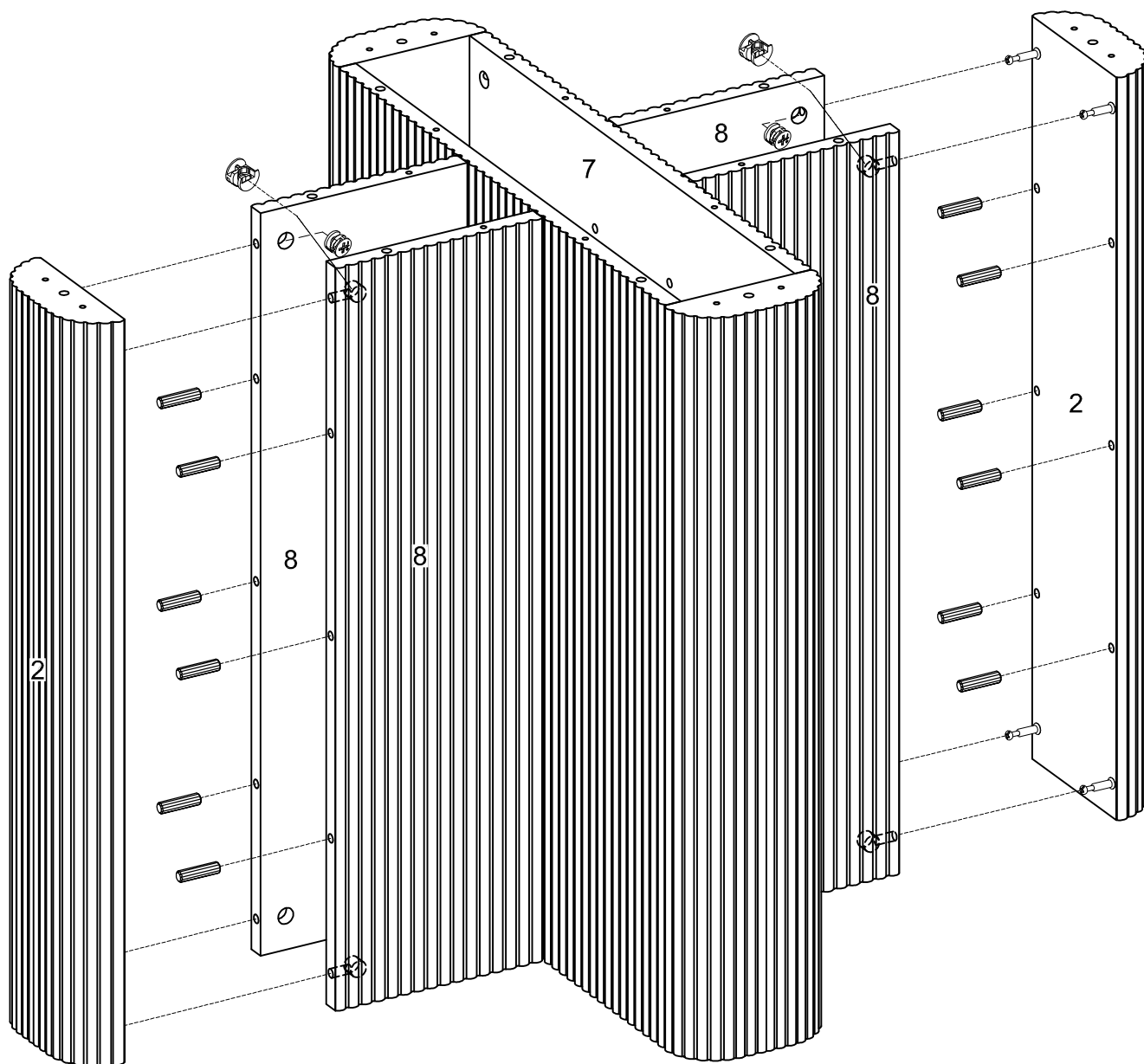
Step 3



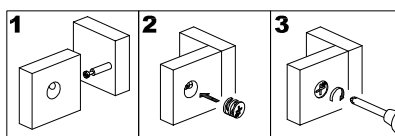
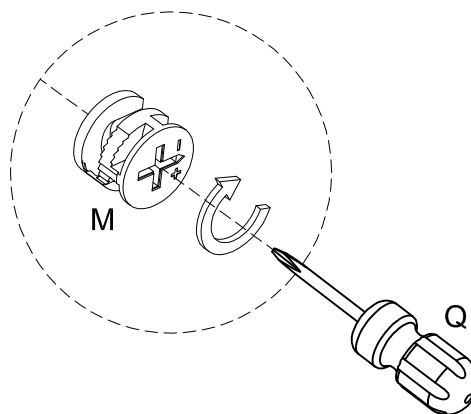
Medium dowel



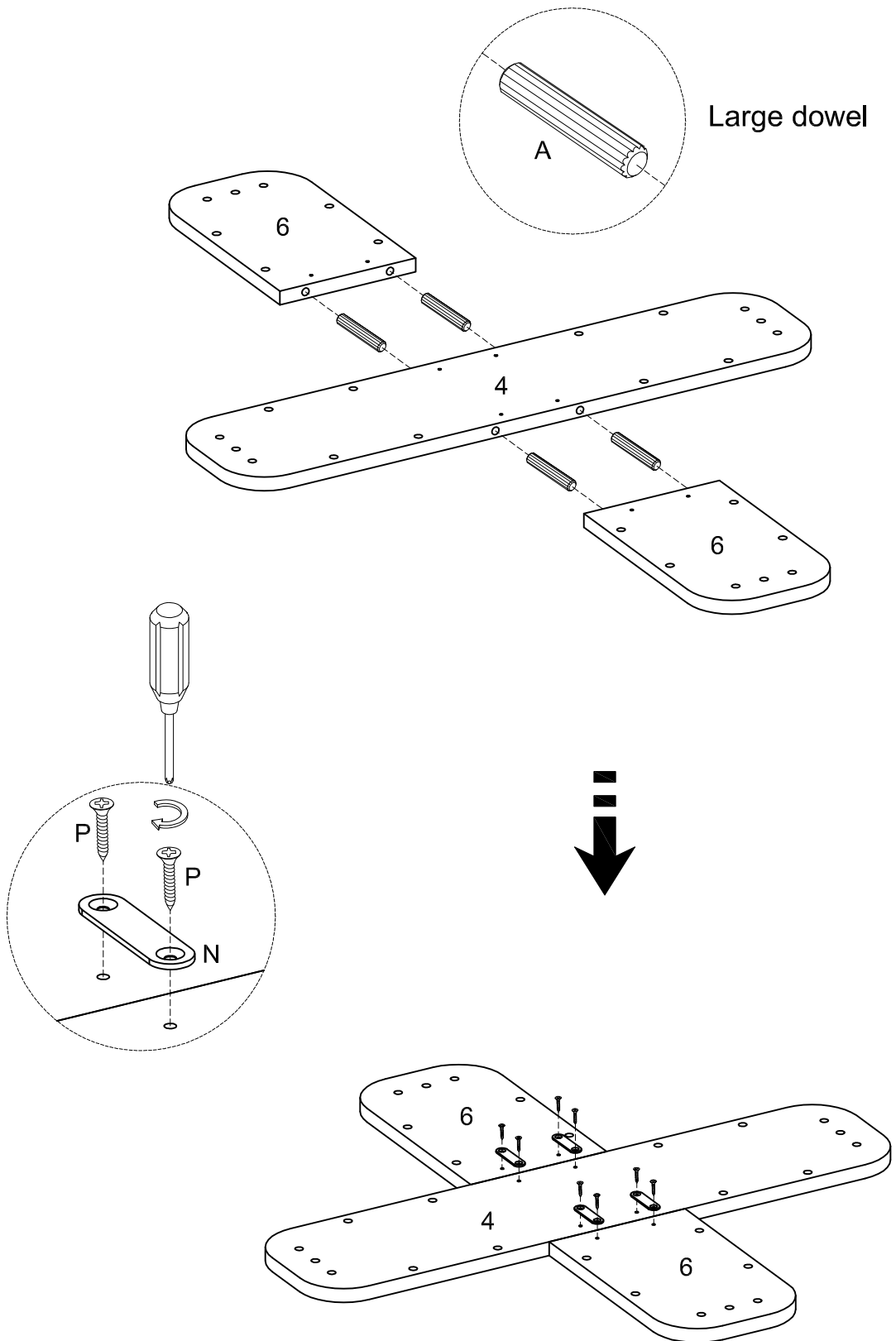
Step 4



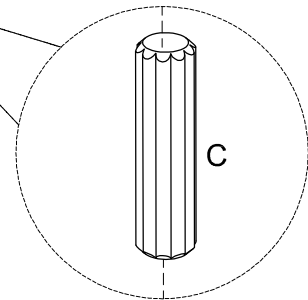
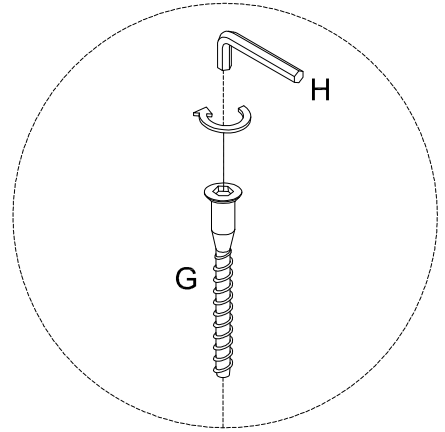
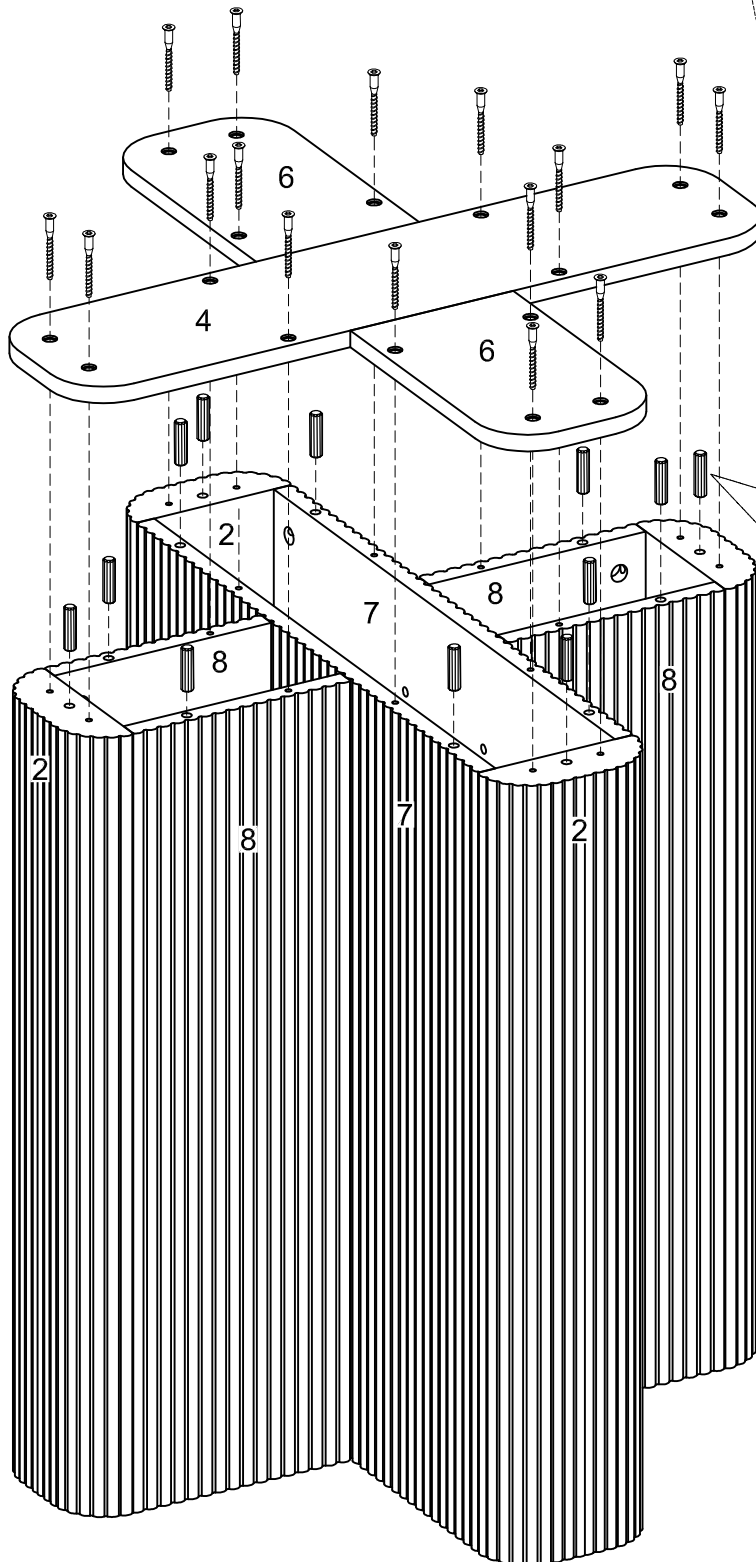
Medium dowel



Step 5

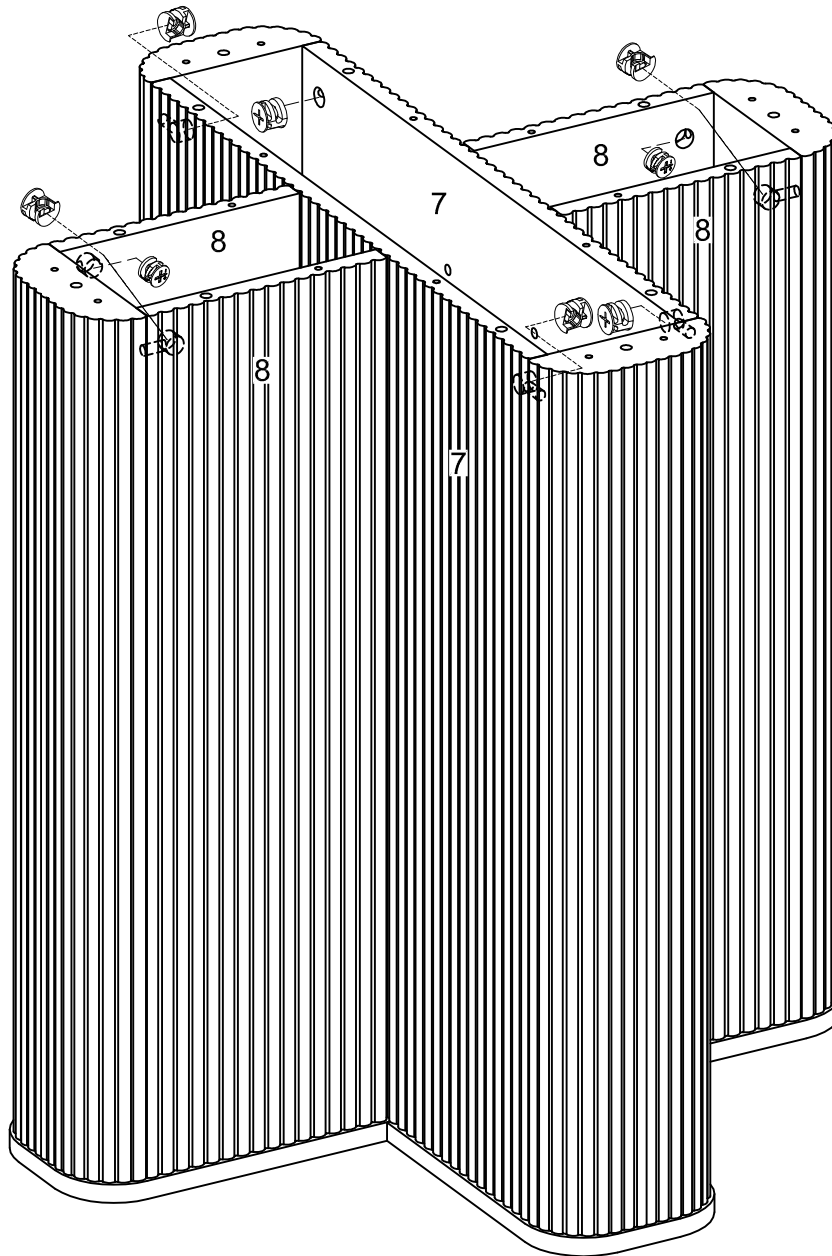
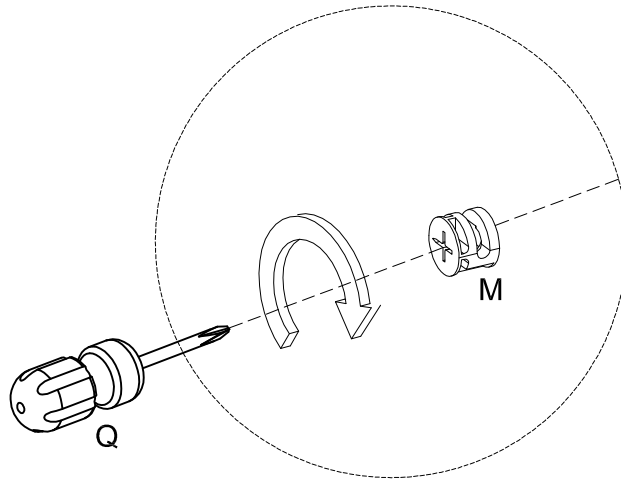
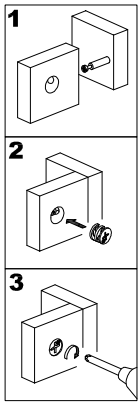


Step 6

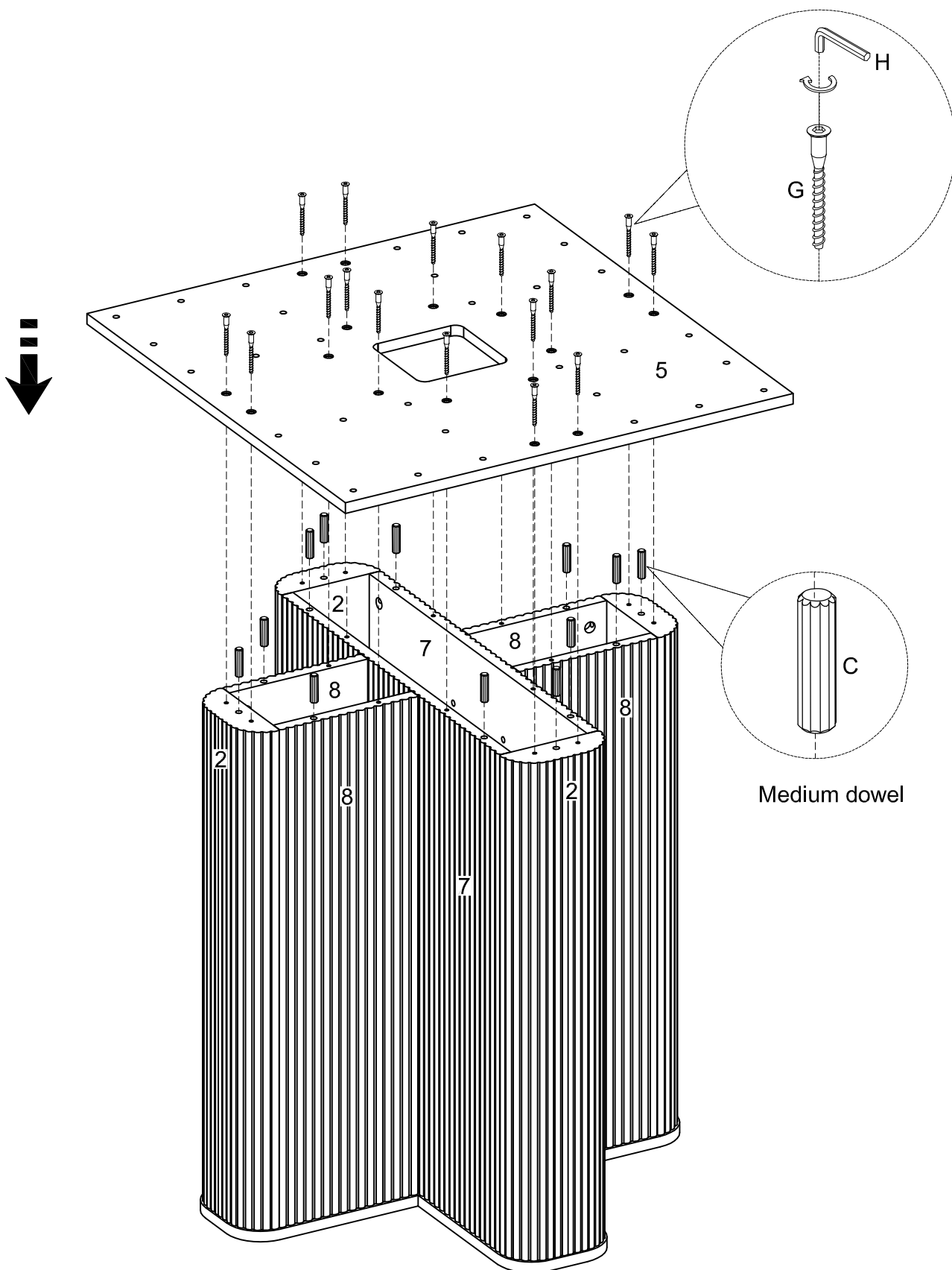


Medium dowel

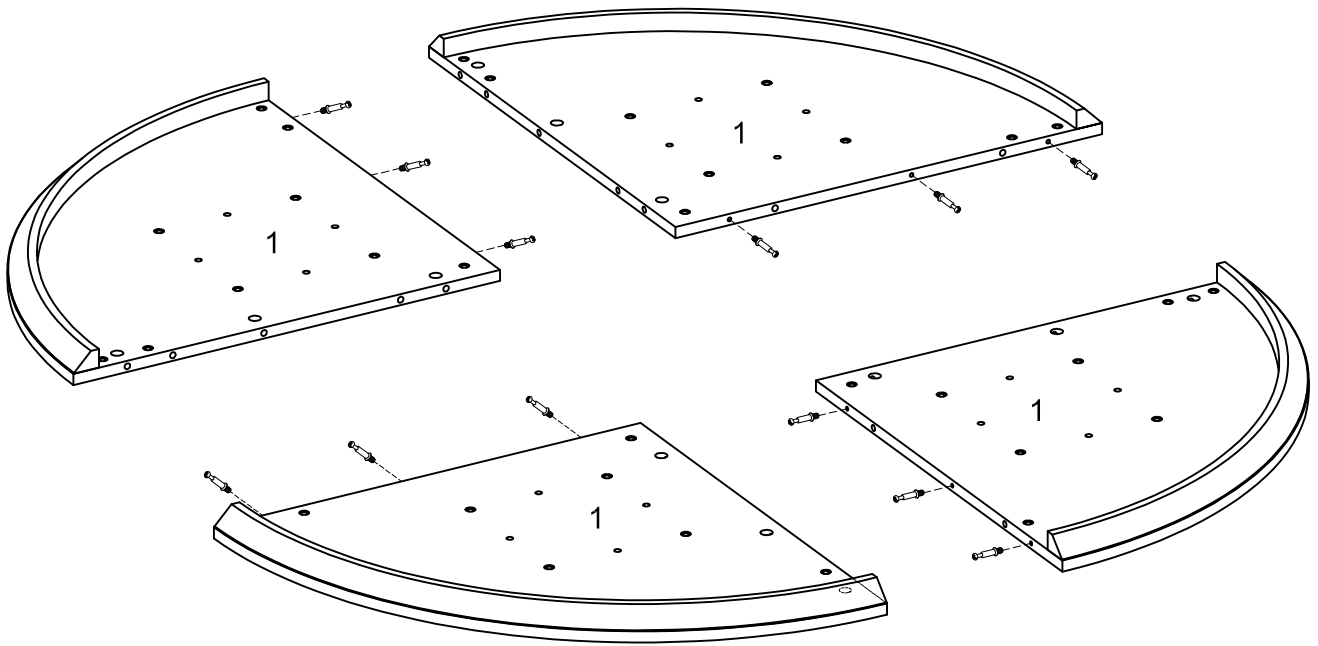
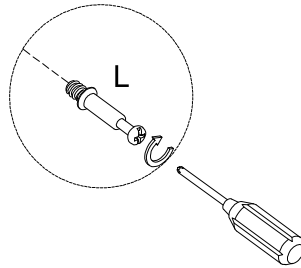
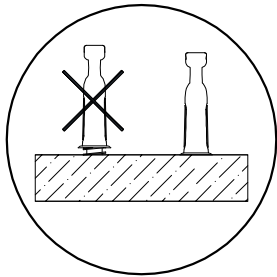
Step 7



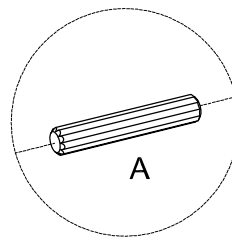
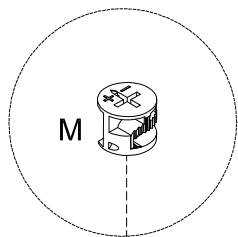
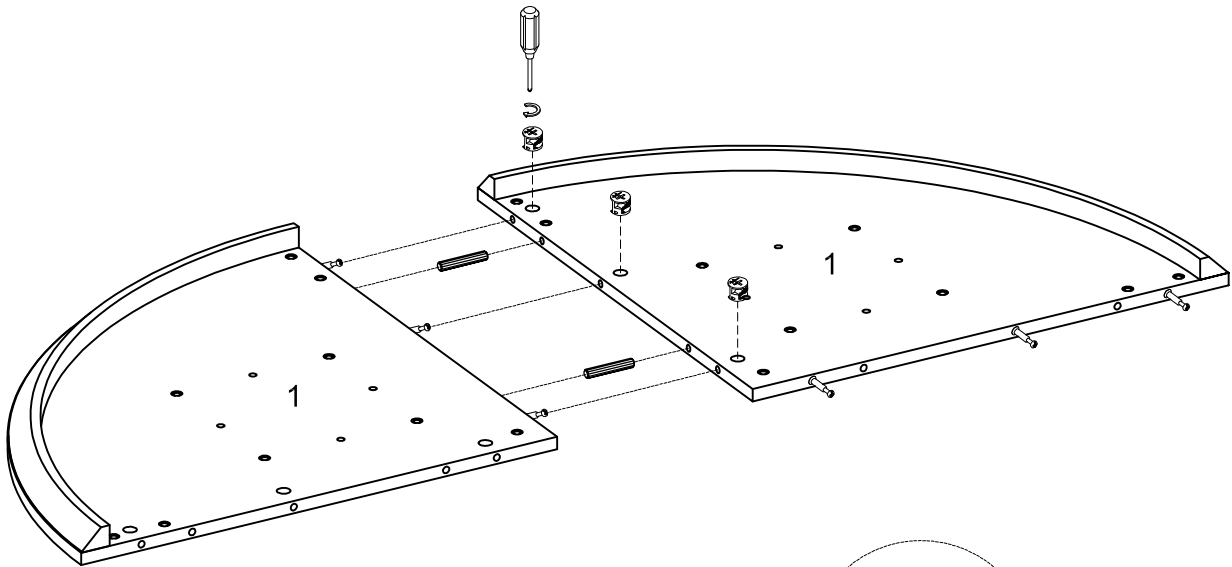
Step 8



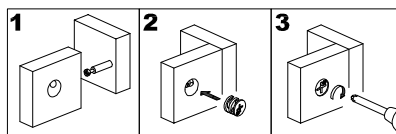
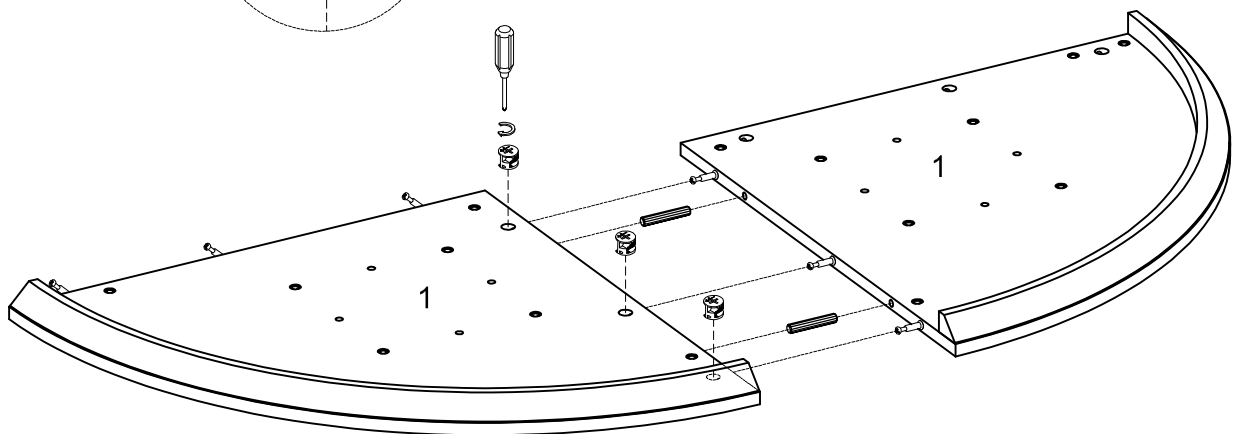
Step 9



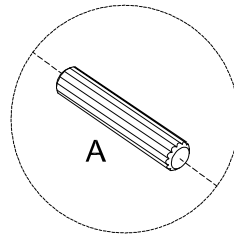
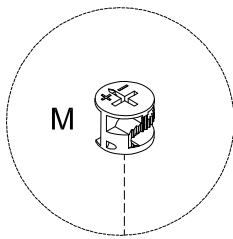
Step 10



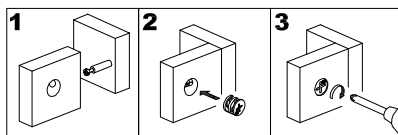
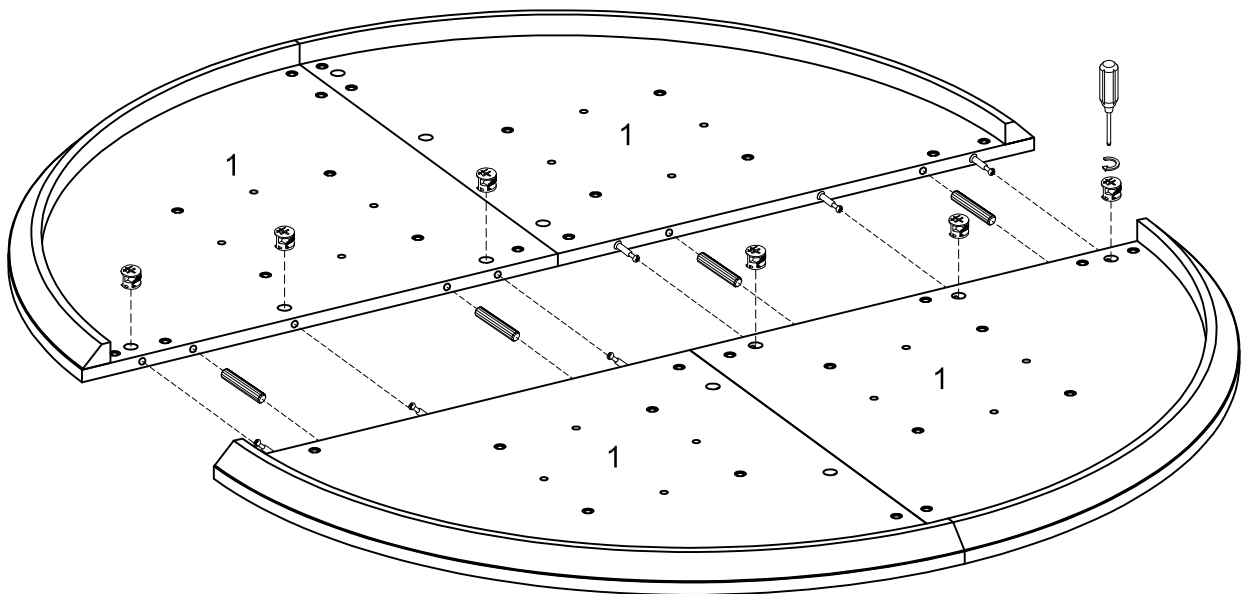
Large dowel



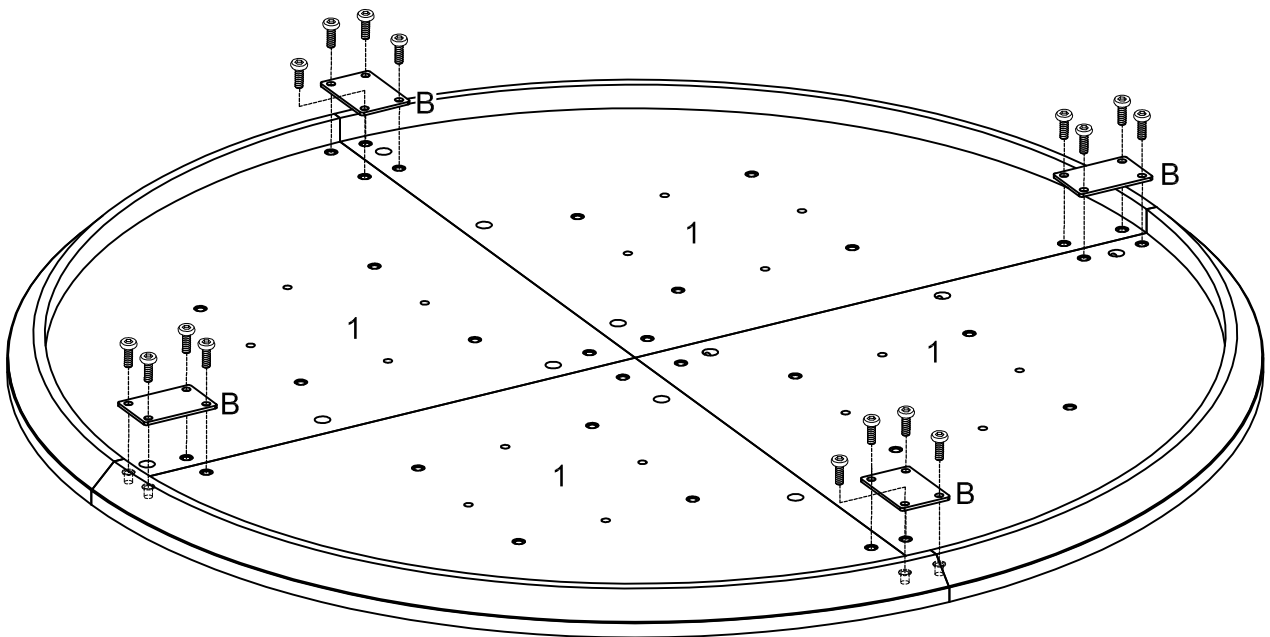
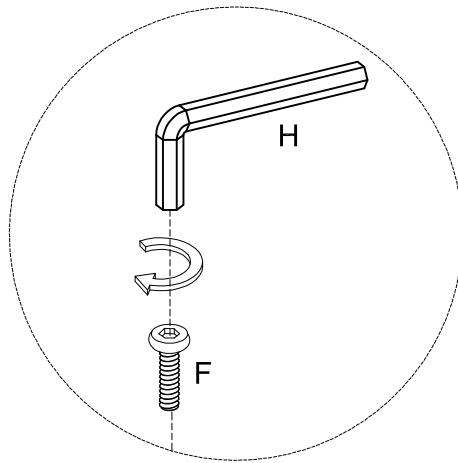
Step 11



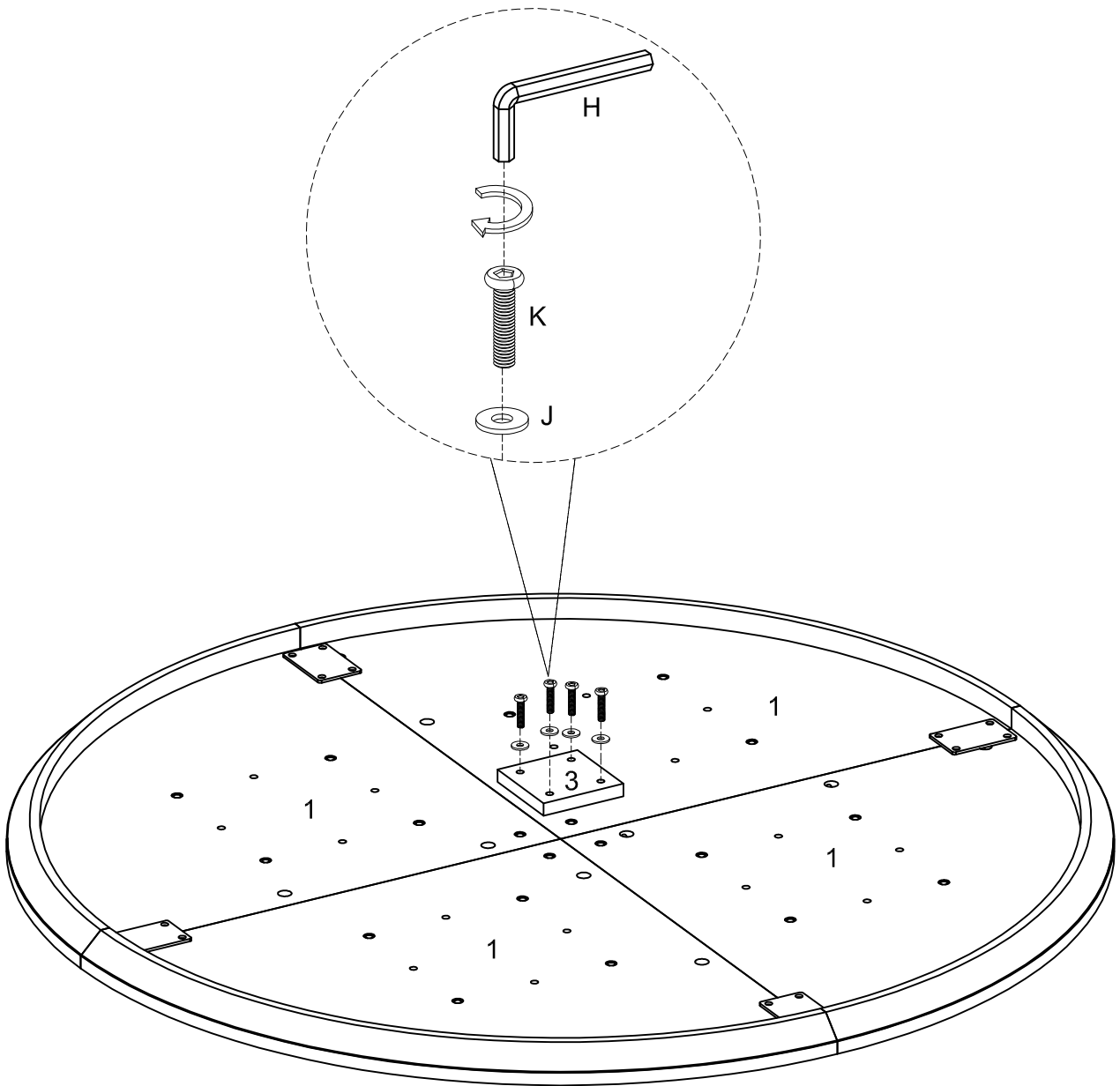
Large dowel



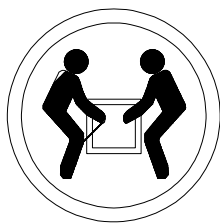
Step 12



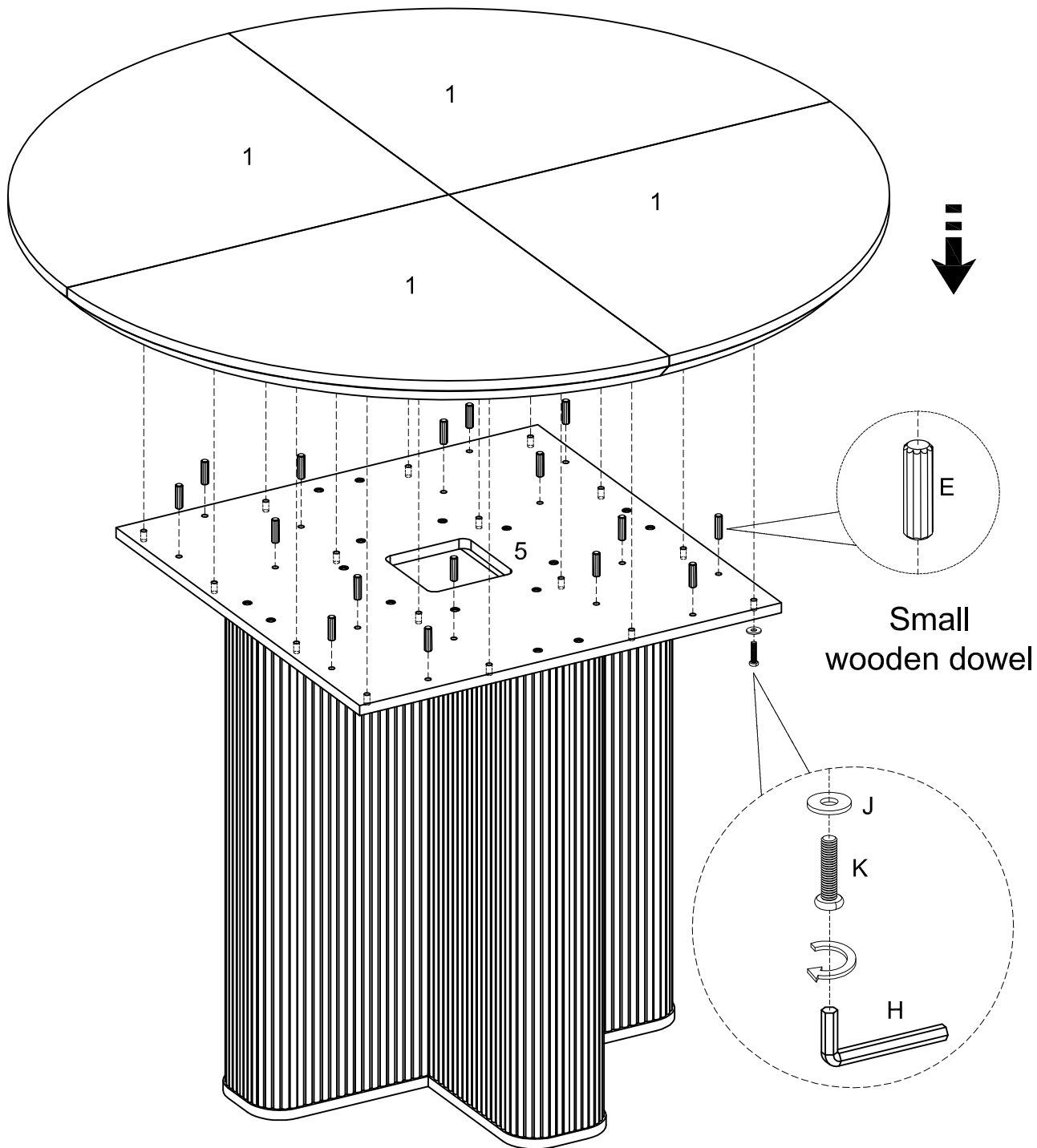
Step 13



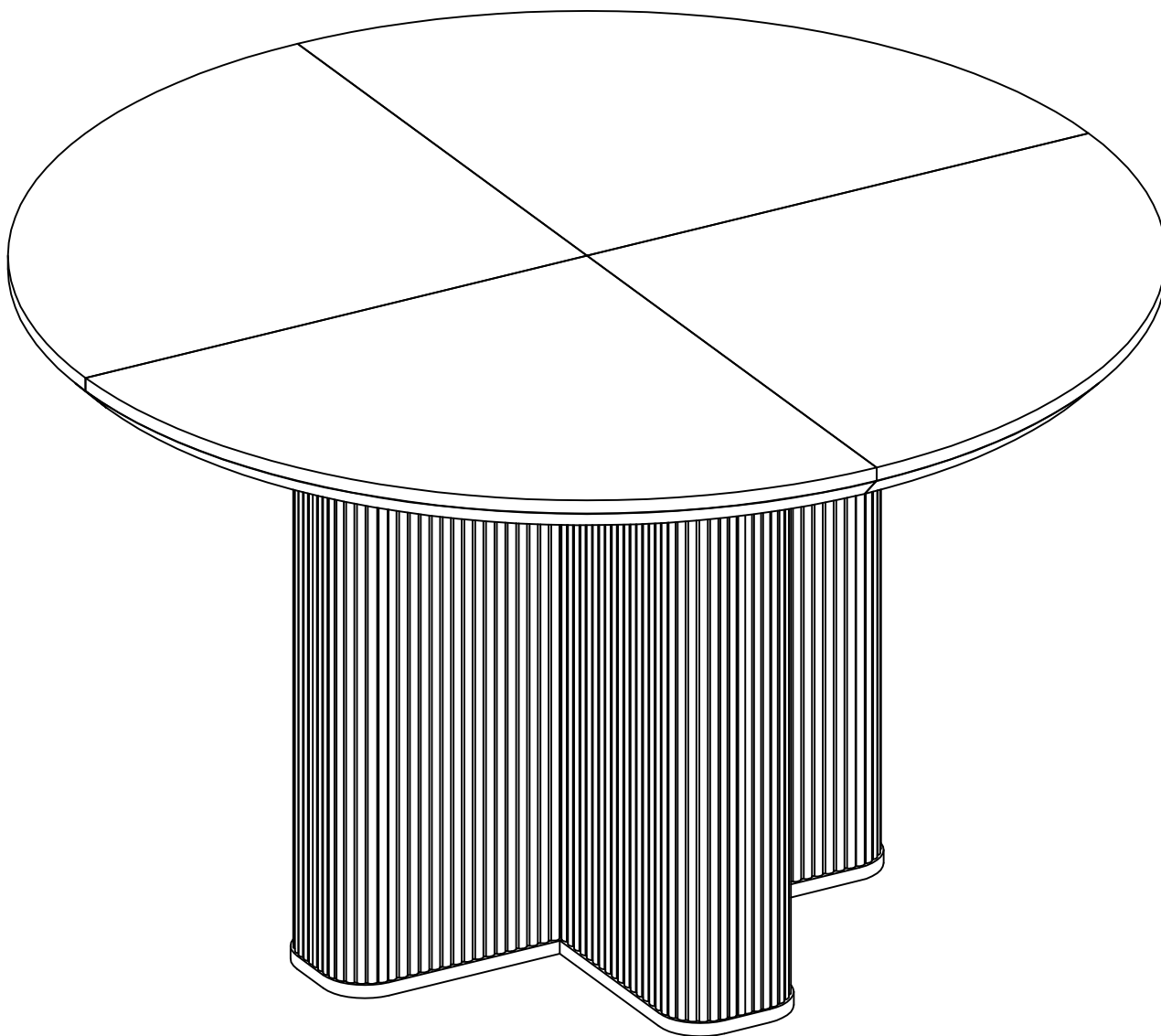
Step 14



CAUTION: Heavy! You may need assistance with this step.



Step 15



Final Assembly