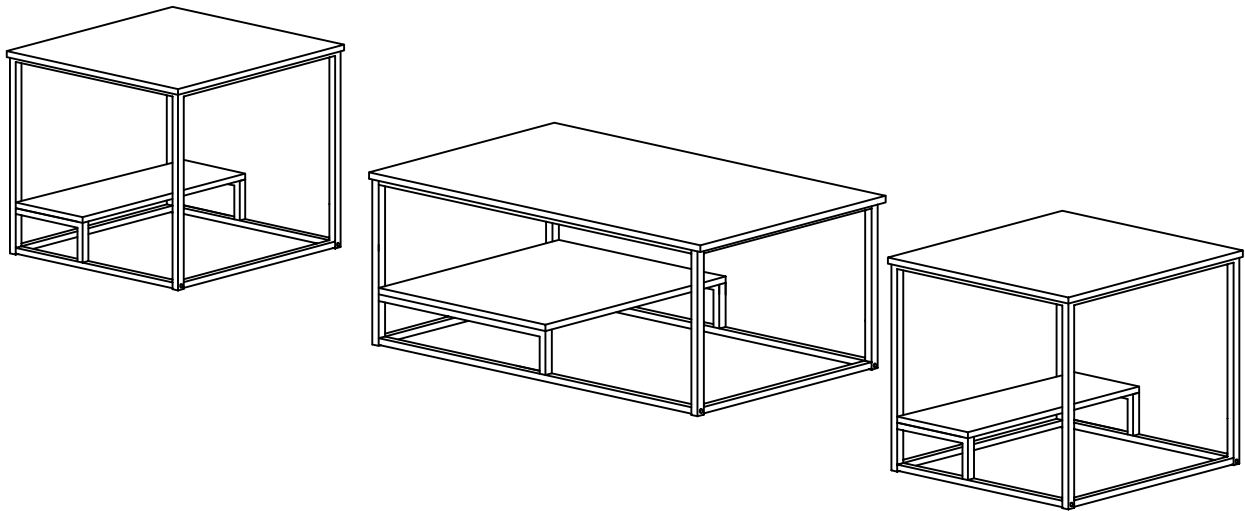


# ASSEMBLY INSTRUCTIONS

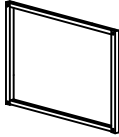




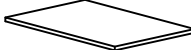
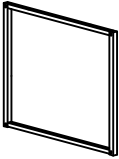



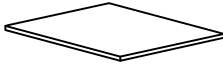
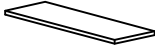
## 3 Pack Table



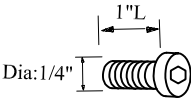
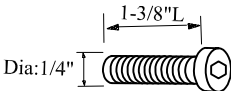

### NOTE TO CUSTOMERS:

- For ease and speed of assembly we recommend that before you commence each step of the assembly that you identify all the parts required to complete that step.
- We recommend that where possible you allow sufficient space to assemble the item as close as possible to the place where it will be once assembled.
- For the protection of your furniture we recommend that the product is placed on protected surfaces during assembly to prevent any damage.
- During assembly do not over tighten, as this may damage the product.
- Please ensure you retain all the product packaging until the item completely assembled.
- Please periodically check all fittings and re-tighten as necessary.
- Never allow any liquids to remain on your furniture as absorption can cause the wood to warp or the finish to de-laminate.
- It is recommended that this item should be assembled by two adults.

## Part List

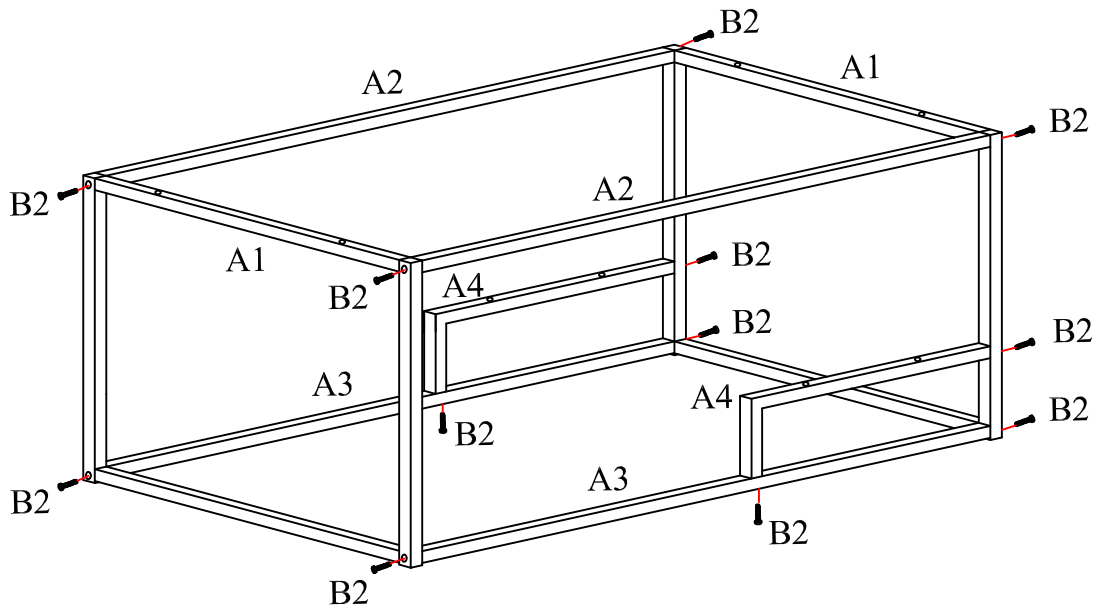
A1		Side Frame-Coffee Table	2PCS
A2		Upper Connect Bar-Coffee Table	2PCS
A3		Bottom Connect Bar-Coffee Table	2PCS
A4		Connect Bar-Coffee Table	2PCS
A5		Top Panel-Coffee Table	1PC
A6		Shelf Panel-Coffee Table	1PC
A7		Side Frame-End Table	4PCS
A8		Upper Connect Bar-End Table	4PCS
A9		Bottom Connect Bar-End Table	4PCS
A10		Connect Bar-End Table	4PCS
A11		Top Panel-End Table	2PCS
A12		Shelf Panel-End Table	2PCS

## Hardware List

B1	 Dia: 1/4"    1" L	Bolt	24PCS
B2	 Dia: 1/4"    1-3/8" L	Bolt	36PCS
		Allen Wrench	1PC

## STEP 1

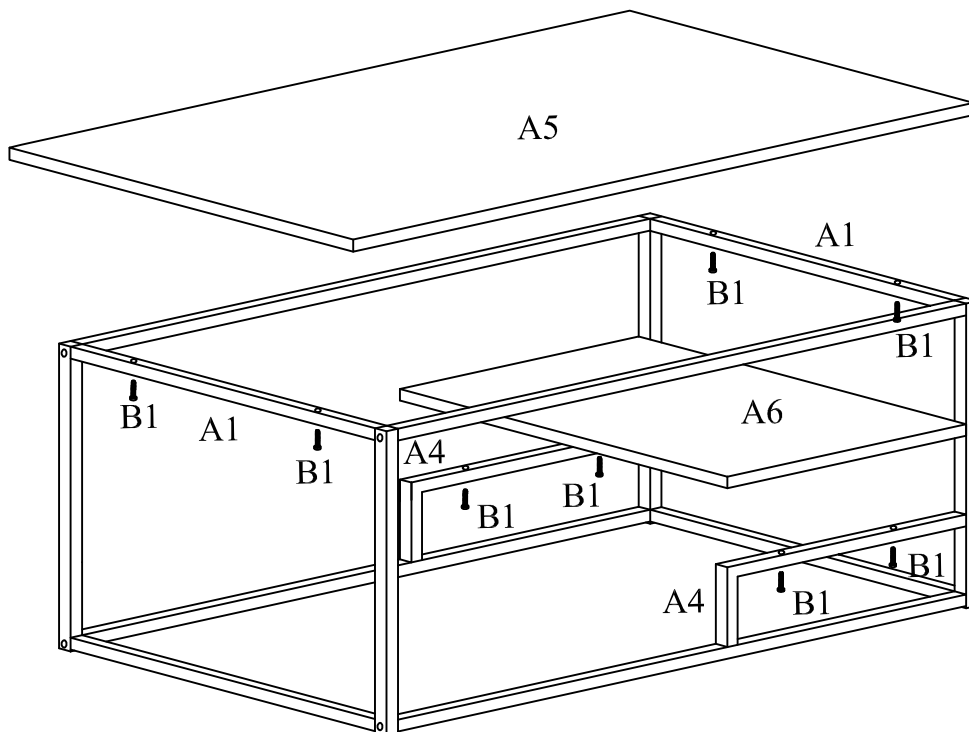
B2  12pcs



- 1). Assemble Connect Bars A2 & A3 to Side Frames A1 using Bolts B2.
  - 2). Assemble Connect Bars A4 to Side Frame A1 and Bottom Connect Bars A3 using Bolts B2.
- Noted: Please do not tighten Bolts B2 until Step 2.

## STEP 2

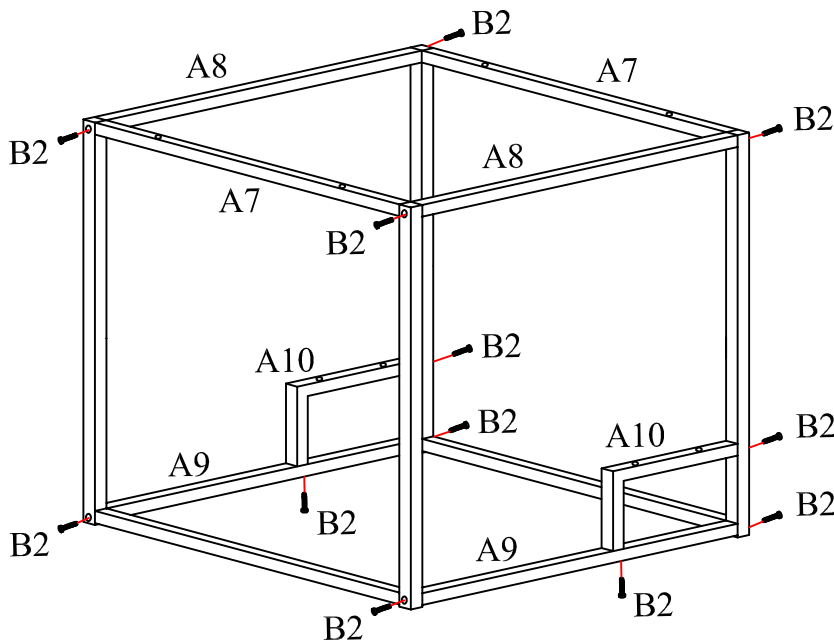
B1  8pcs



- 1). Assemble Shelf Panel A6 to Connect Bars A4 using Bolts B1.
  - 2). Assemble Top Panel A5 to Side Frames A1 using Bolts B1.
- Noted: Place the table on the floor and check if it is stable before tightening all bolts.

### STEP 3

B2  24pcs

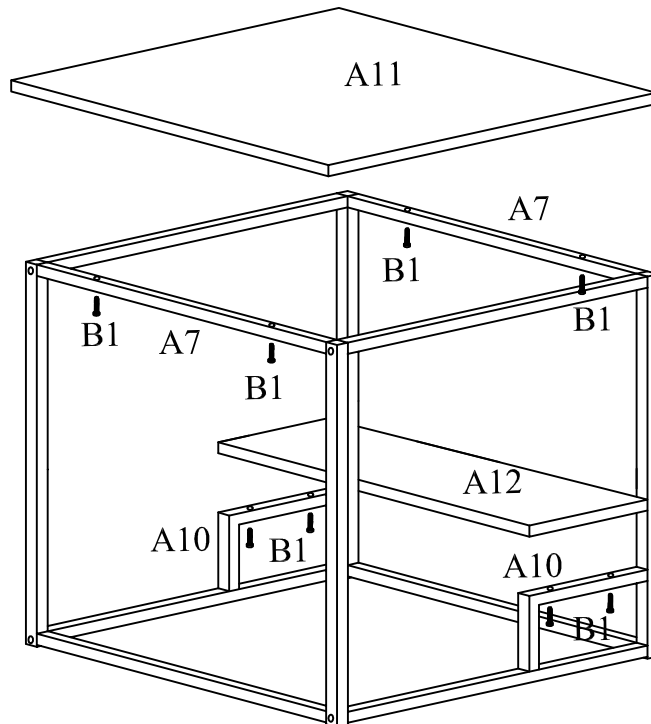


# X2

- 1). Assemble Connect Bars A8 & A9 to Side Frames A7 using Bolts B2.
  - 2). Assemble Connect Bars A10 to Side Frame A7 and Bottom Connect Bars A9 using Bolts B2.
- Noted: Please do not tighten Bolts B2 until Step 4.

### STEP 4

B1  16pcs



# X2

- 1). Assemble Shelf Panel A12 to Connect Bars A10 using Bolts B1.
  - 2). Assemble Top Panel A11 to Side Frames A7 using Bolts B1.
- Noted: Place the table on the floor and check if it is stable before tightening all bolts.