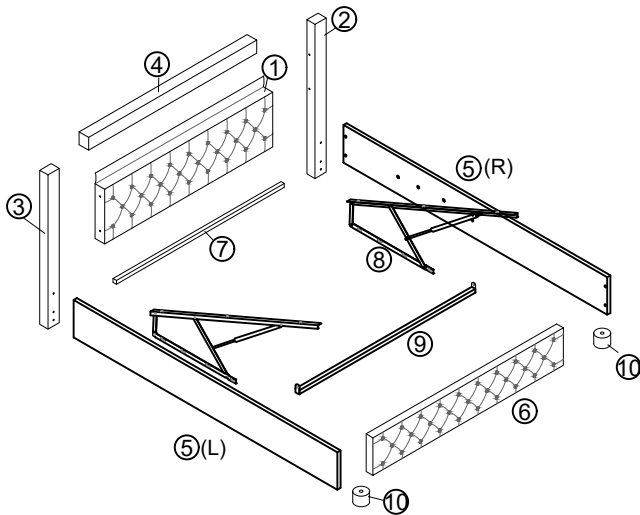
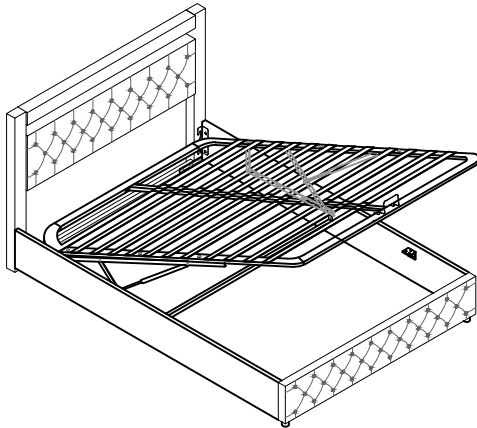


ASSEMBLY INSTRUCTION

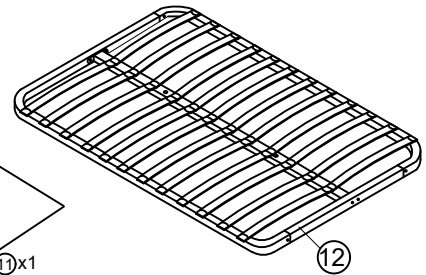
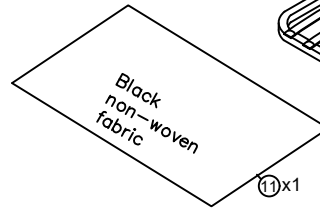
Item Number:WF311630AAA WF311631AAA
WF311630AAS WF311631AAS
WF311632AAA WF311634AAA




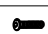

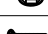




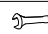

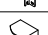

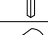

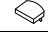
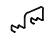
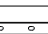
Upholstered Bed :4ft6
5ft



TIPS

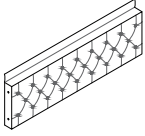


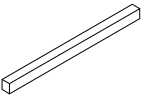
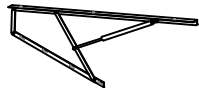
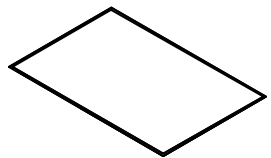
1. This product is divided into 2 parcels for delivery. They may not arrive at the same time. Please wait patiently.
2. Please read the instructions fully before assembly. These instructions include important information which could ensure correct assembly. We have been working on providing high quality products for you. However, in the rare instance that your product is defective, missing parts or there are some issues, please don't hesitate to contact our customer service to submit parts requirements, assembly suggestion, or warranty claims, and we will give the best solution as soon as possible. If necessary, we need you to provide some more clear pictures of the issue.
3. Insert the screws in holes and tighten the screws, but not too tight, 70%~80% is ok, finally tighten all the screws. If some issues happened that some screws can not target to the hole or some parts are difficult to install, please adjust the tightness of the screws.
4. 2 people are recommended to finish



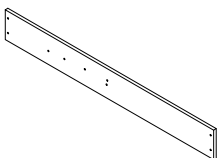
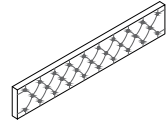
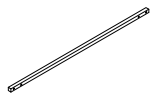
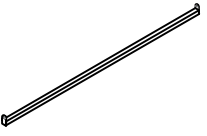
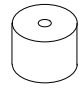
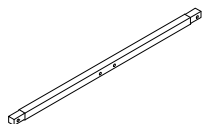
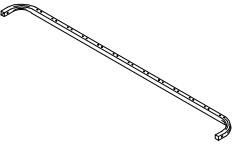
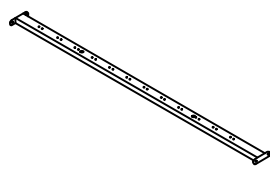
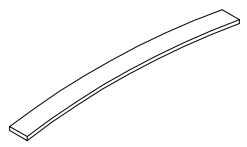
Parts List			Hardware List		
NO	ITEM	QTY	NO	ITEM	QTY
1	Head board	1	A	Allen Key 	1
2	Side head board	1	B	Bolts (M8x45mm) 	20
3	Side head board	1	C	Washer 	4
4	Head board bar	1	D	Bolts (M8x18mm) 	28
5	Side rails	2	E	Nuts 	14
6	Foot board	1	F	Nails (M4x25mm) 	9
7	Head board cross bar	1	G	Nails (M4x50mm) 	2
8	Gas lift	2	H	Nuts 	2
9	Cross bar	1	I	Bolts (M6x25mm) 	10
10	Legs	2	J	Spanner 	1
11	Non woven fabric	1	K	Hinge 	4
12	Slat frame	1	L	Plastic support 	3
			M	Middle legs 	2
			N	Middle slats 	12
			O	End slats cap 	24
			P	Stopper 	1
			Q	Three hole iron 	4
			R	Led adapter 	1
			S	Color controller 	1

Part List

WF311630AAA / WF311630AAS / WF311632AAA

<p>1</p>  <p>Head board-1pc</p>	<p>2</p>  <p>Head board legs-1pc</p>	<p>3</p>  <p>Head board legs-1pc</p>
<p>4</p>  <p>Head board bar-1pc</p>	<p>8</p>  <p>Gas lift-2pcs</p>	<p>11</p>  <p>Non woven fabric-1pc</p>

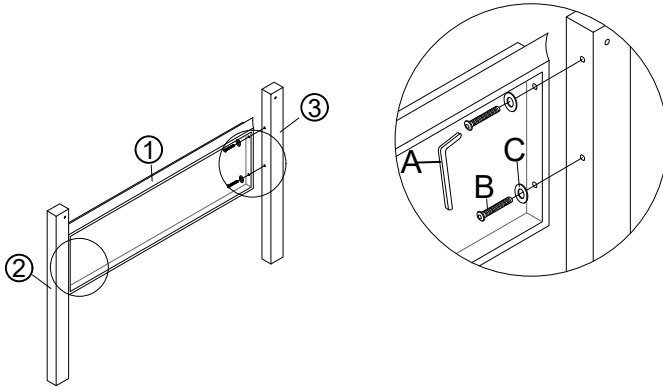
Hardware List + WF311631AAA / WF311631AAS / WF311634AAA




<p>5</p>  <p>Side rails -2pcs</p>	<p>6</p>  <p>Foot board -1pc</p>	<p>7</p>  <p>Head board cross bar -1pc</p>
<p>9</p>  <p>Cross bar -1pc</p>	<p>10</p>  <p>Legs -2pcs</p>	<p>12.1</p>  <p>Metal frame cross bar-2pcs</p>
<p>12.2</p>  <p>Metal frame side bar-2pcs</p>	<p>12.3</p>  <p>Metal frame middle bar-1pc</p>	<p>12.4</p>  <p>Slat-24pcs</p>

Attention: Do not tighten the screws before completing the entire installation. If you have any difficulty with the installation process, please feel free to contact us.

Step 1x2

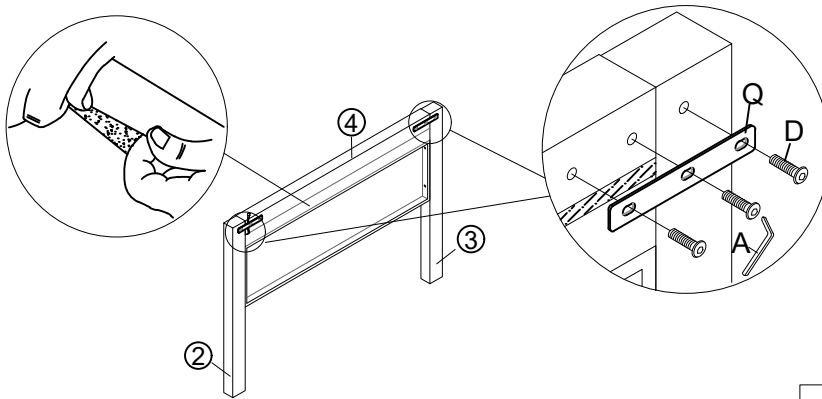
Fix the Headboard legs ②/③ to the headboard ① With Bolts B and Washers C by using Allen key A.



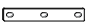


A Allen Key x1 	B Bolts x 4  M8X45mm	C Washer x 4 
---	---	---

Step 2x2

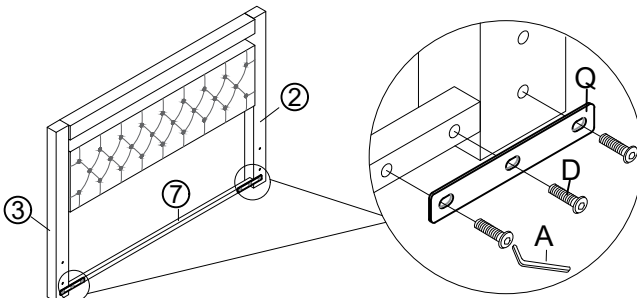
Fix the Headboard bar ④ to the Side head board ② and ③ with Three hole iron Q and Bolts D by using Allen key A, then stick the back cover.






A Allen Key 	D Bolts x 6  M8X18mm	Q Three hole iron x2 
--	---	---

Step 3

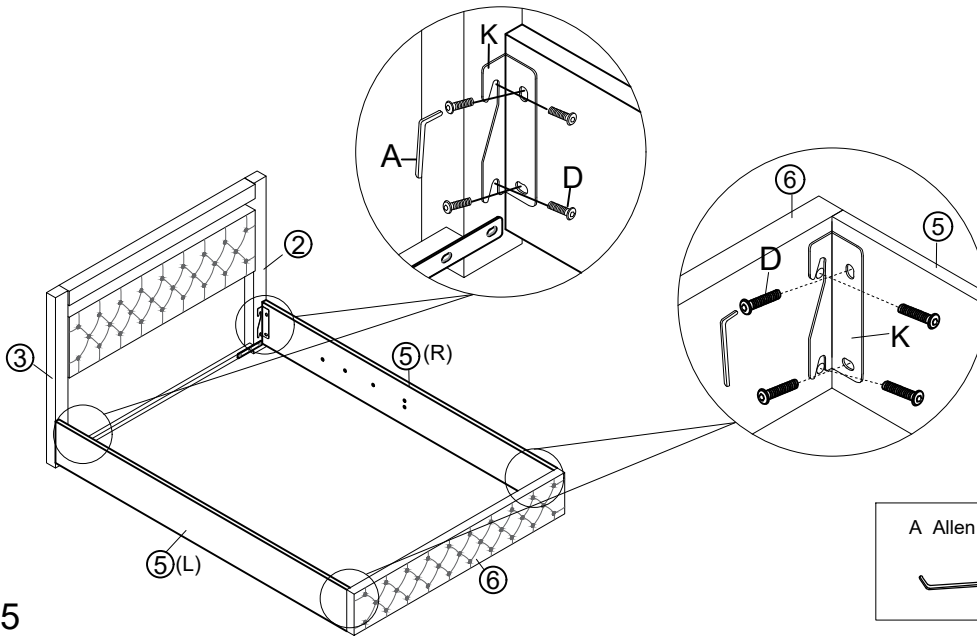
Fix the Headboard cross bar ⑦ to the Headboard legs ②/③ with Bolt D and Three hole iron Q by using Allen key A.



A Allen Key 	D Bolts x 6  M8X18mm	Q Three hole iron x2 
--	---	---

Step 4

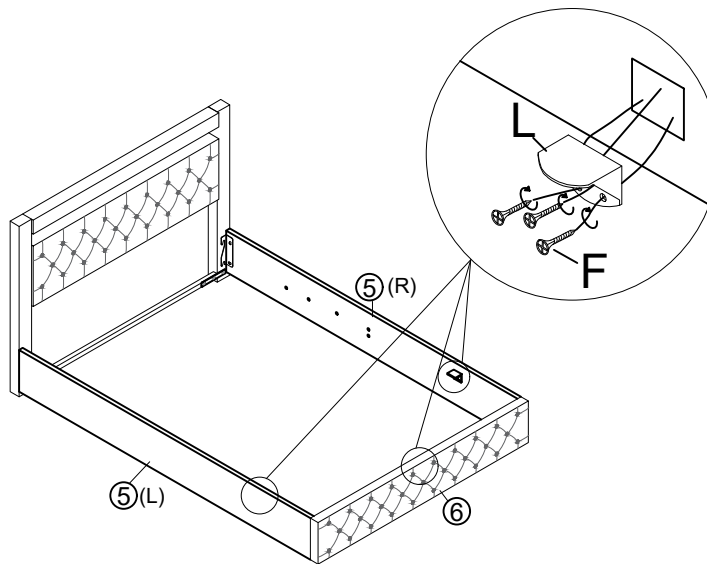
Fix the side rails ⑤ to the side head board legs ②, ③ and foot board ⑥ with Bolts D and hinges K by using Allen key A.



The circular hole is installed on side rails ⑤.
Another two holes are installed on the foot board ⑥ and headboard legs ②/③.

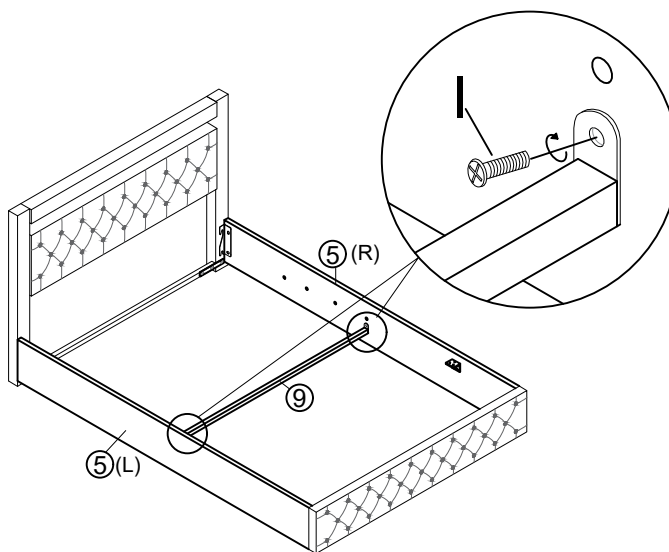
Step 5

Fix the plastic support L to the side rails ⑤ and footboard ⑥ with nails F by using electric drill or screw driver.



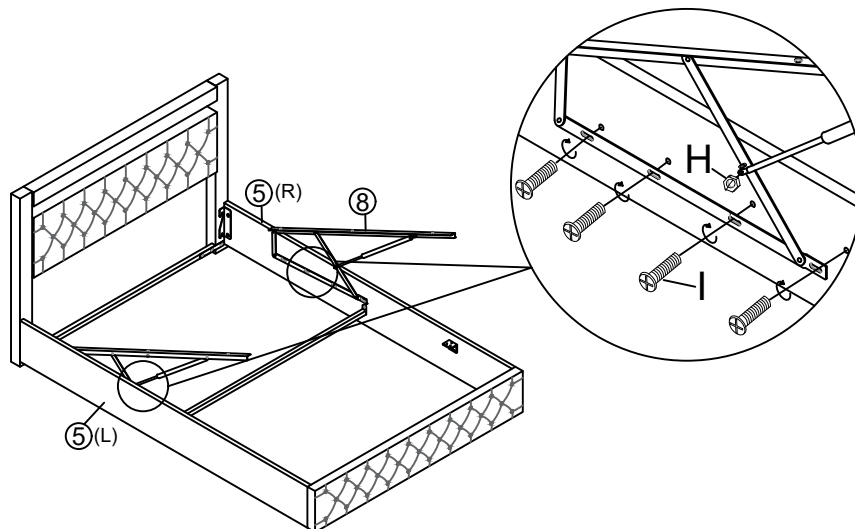
Step 6



Fix the cross bar ⑨ to the side rails ⑤ with bolts I by using electric drill or screw driver.



Step 7 x2

Fix the gas lifts ⑧ to the side rails ⑤ with bolts I by using electric drill. Fix the gas bar to the gas lifts ⑧ with nuts H.



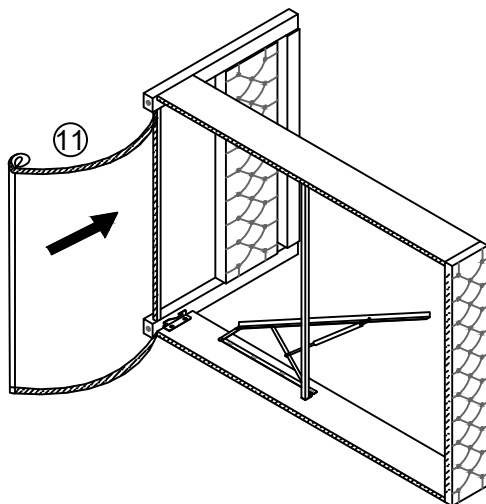
H Nuts x2 	I Bolts x 8  M6x25mm
--	---

NOTICE:

The hole on the gas list is oval, Please ensure that the installation positions on the left and right are roughly the same, If you accidentally install the gas lift one side to the front and the other to the back, which affects your use, you can knock it down and reinstall it.

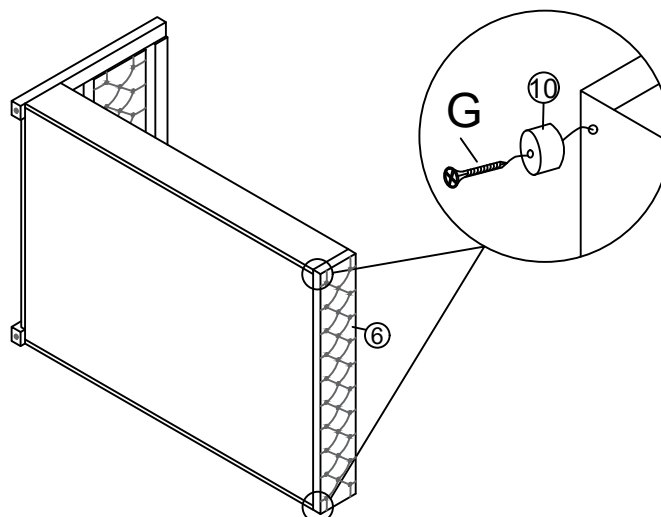
Step 8


Stick the black non-woven fabric ⑪ to the bottom of bed.



Step 9

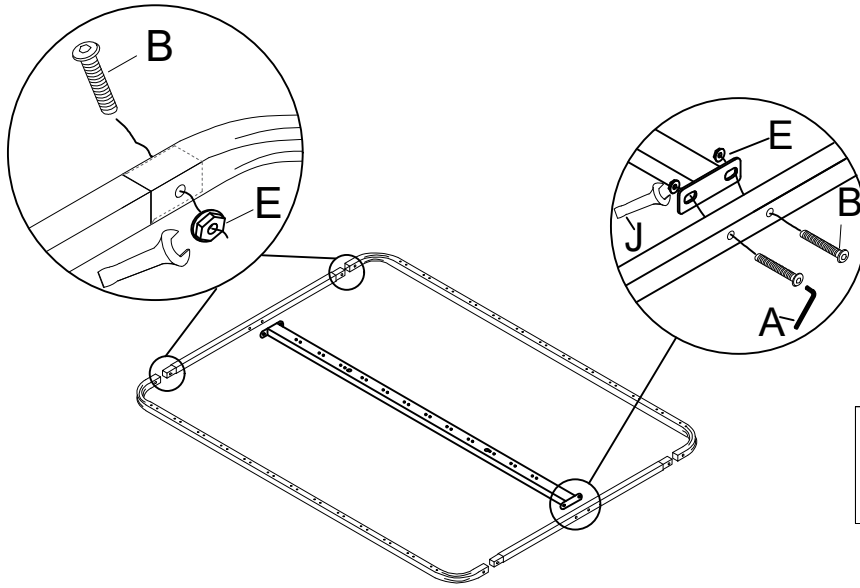
Fix the legs ⑩ to the footboard ⑥ with nails G by using electric drill or screw driver.






G Nails x2  M4x50mm
--

Step 10

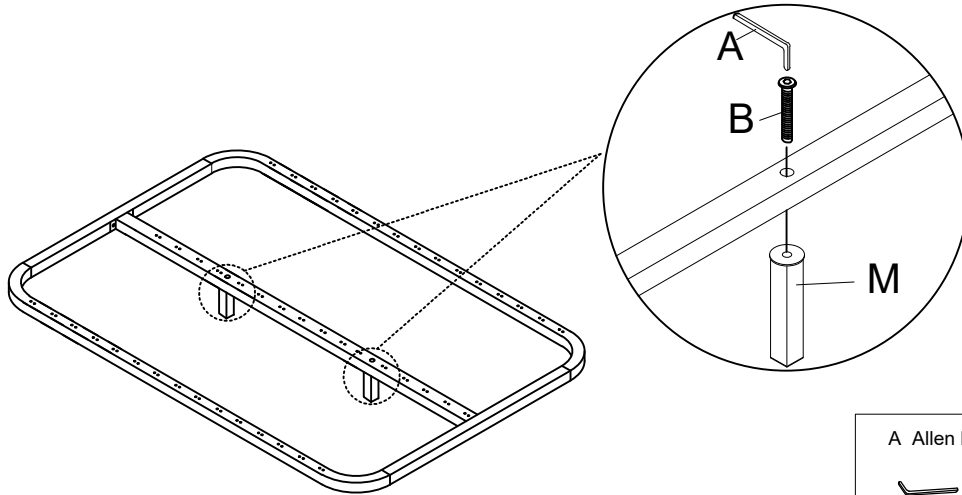
Assemble the slats frame with bolts B and Nuts E by using Spanner J and Allen key A.






B Bolts x8  M8X45mm	E Nuts x8 	J Spanner x1 
--	--	---

Step 11 x2

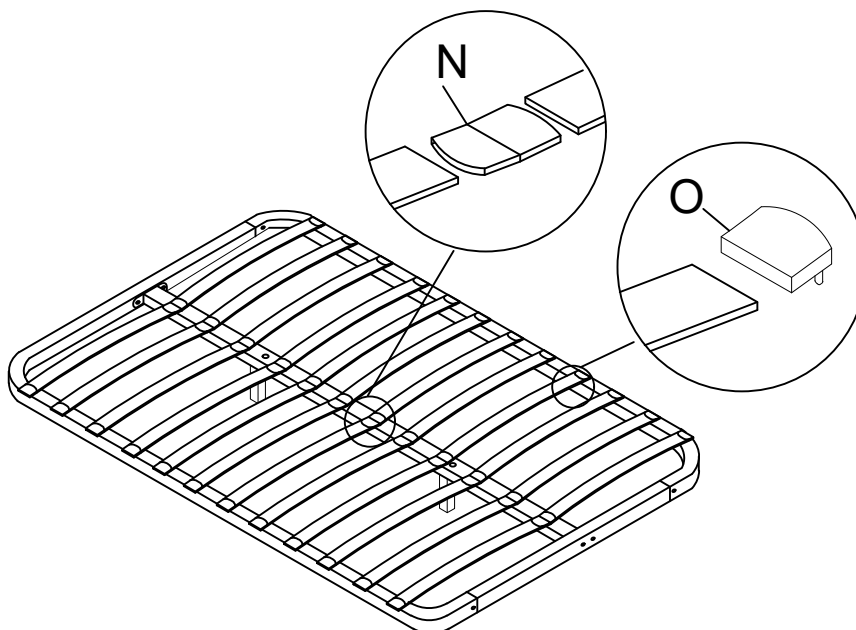
Fix middle legs M to the middle bar with Bolts B by using Allen key A.





A Allen Key 	B Bolts x 2  M8X45mm	M Middle legs x2 
--	---	---

Step 12

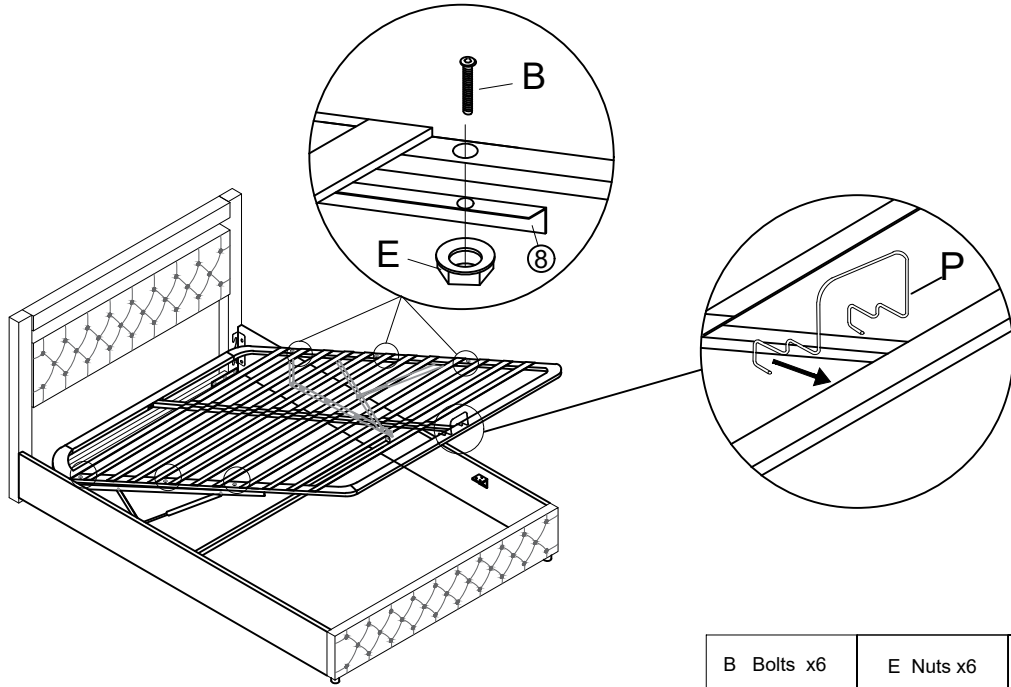
Assemble the slats into the assembled slats frame with middle slats cap N and end slats cap O.



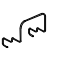


N Middle slats x12 	O End slats cap x24 
---	--

Step 13

Assemble the slats frame ⑫ to the gas lifts ⑦ with bolts B and nuts E, put the stopper P in the end of the slat frame.



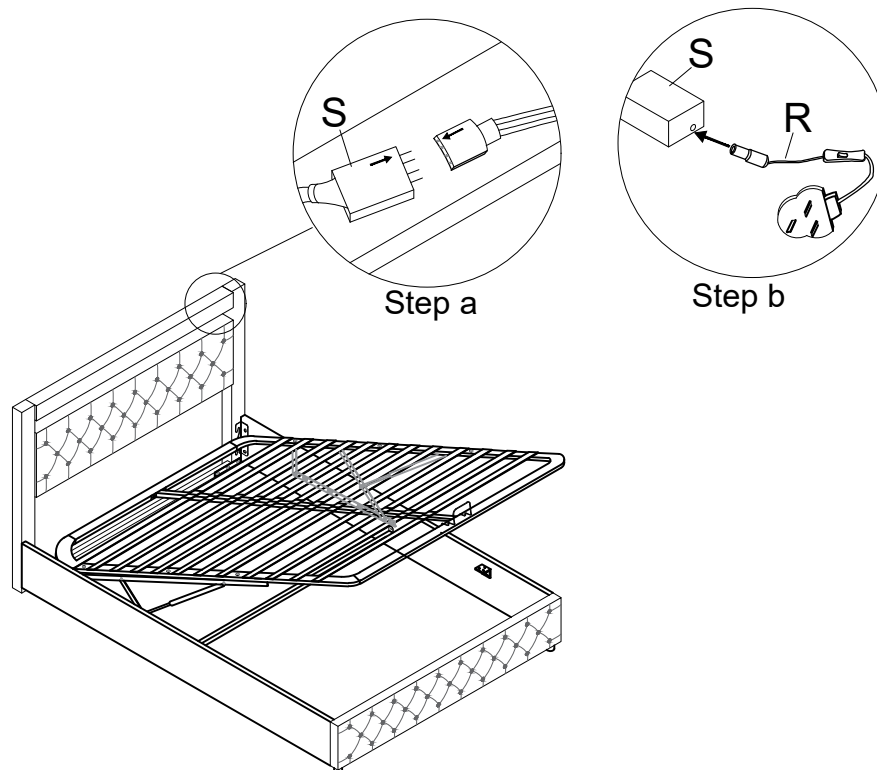
B Bolts x6  M8X45mm	E Nuts x6 	P Stopper x1 
--	--	---



Step 14

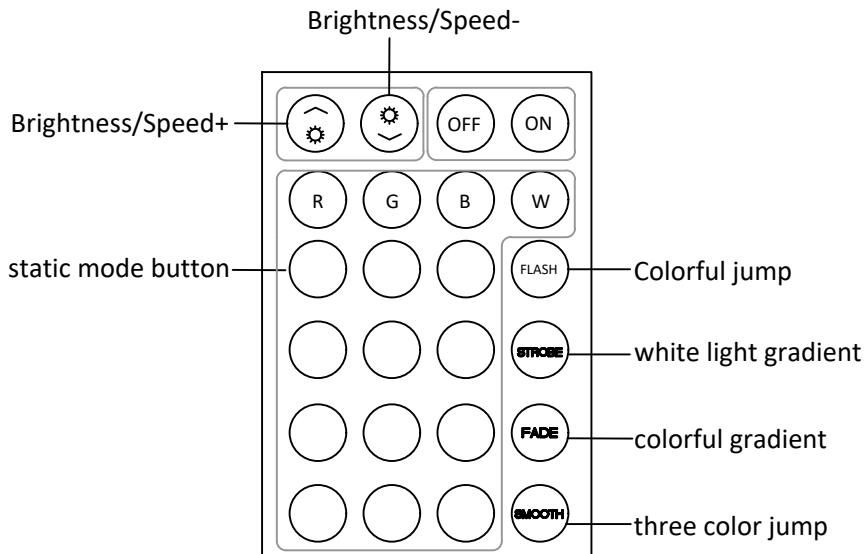
Step1:Put the color controller S to the light line ,please notice that → ←.

Step2:Fix the Led adapter R to the Color controller S.

Finally connect the power,and enjoy the bed.

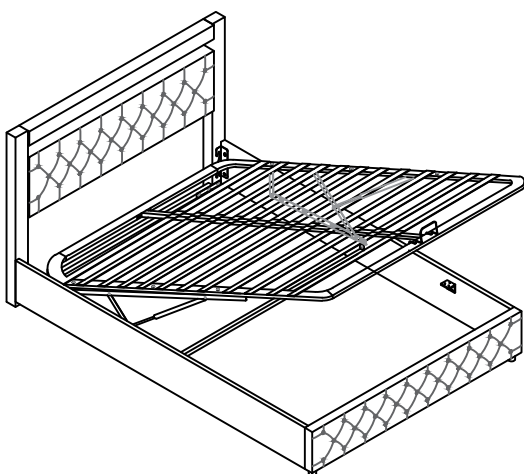


R Led adapter x1 	S Color controller x1 
---	--



NOTICE:

When you use the remote control board to control the color of the light, Please remove the clear plastic card first, then please be sure to point the remote control at the color controller S.



WHY WON'T MY HYDRAULIC BED STAY DOWN?

1. In fact, nine times out ten the reason why hydraulic won't close is because you need to put your mattress on top of the bed. Yep, it really is that easy. This is because the hydraulic pistons need the weight of the mattress to provide enough pressure to close your bed.

2. However, what if you've put your mattress on your bed and you're one of the unlucky ones who finds that their hydraulic bed still won't stay down?

As previously mentioned, they require pressure in order to close. However, occasionally as well as placing the mattress on the bed you will initially have to apply some physical force yourself to close the bed. Don't worry you won't break it ! ! !