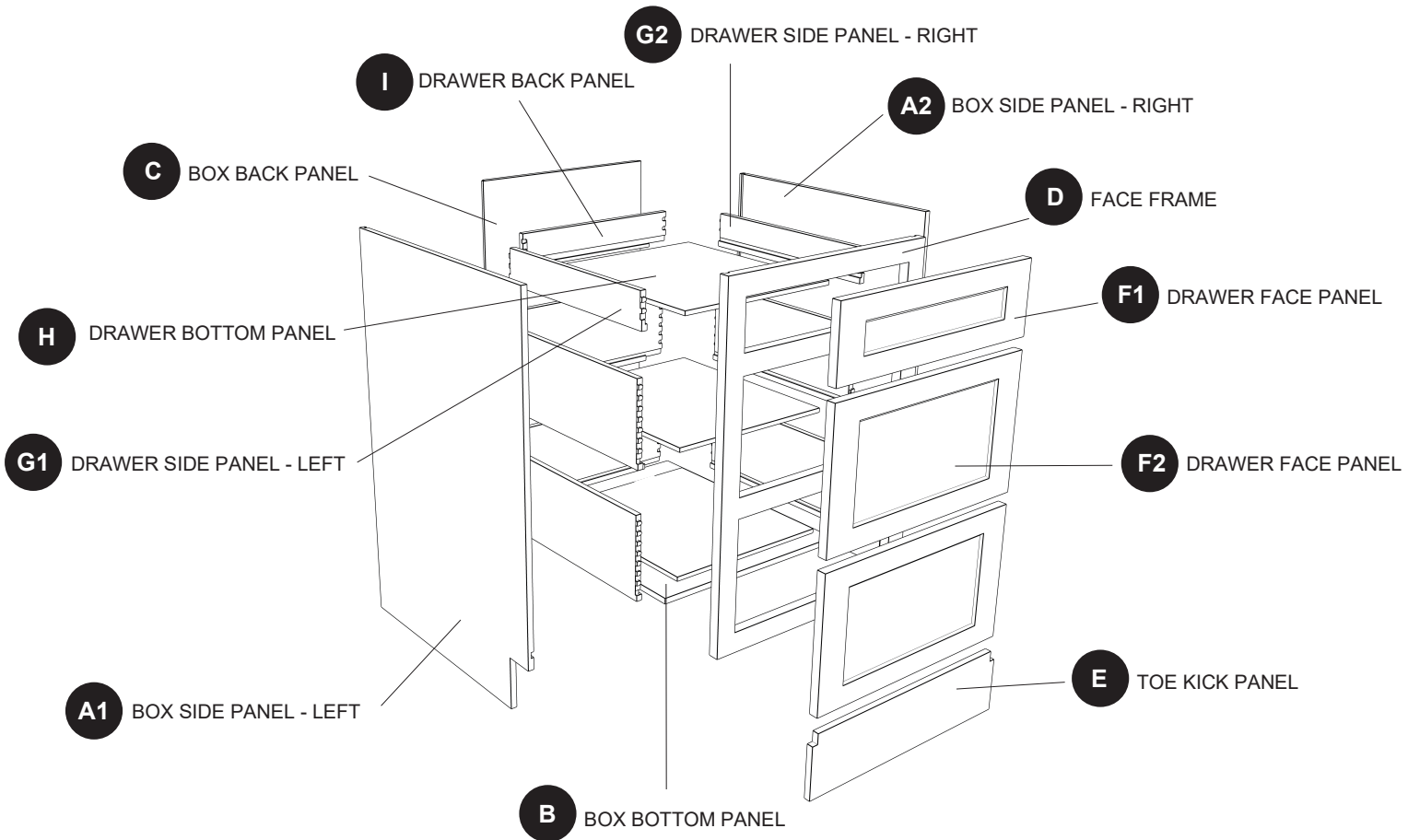


# Cabinet Instruction Manual

MODEL: 3DB12-SY 3DB15-SY 3DB18-SY 3DB21-SY

(NV093-SY)



PART	DESCRIPTION
A1	Box side panel - left
A2	Box side panel - right
B	Box bottom panel
C	Box back panel
D	Face frame
E	Toe kick panel

PART	DESCRIPTION
F1	Drawer face panel
F2	Drawer face panel
G1	Drawer side panel - left
G2	Drawer side panel - right
H	Drawer bottom panel
I	Drawer back panel

Note: if you encounter any problems with the installation, missing or replacement parts, please get in touch with us. Please also tell us your "ORDER ID," and we will solve the issue as soon as possible.

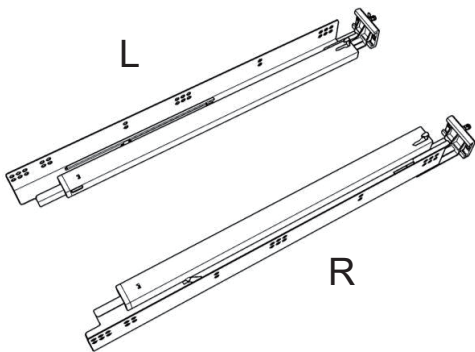
Customer Service (NV093-SY): [Help@EverythingSupport.com](mailto:Help@EverythingSupport.com)  
 Toll free:(855)208-0668 (MON-FRI 9:00am-6:00pm Eastern Time)  
 Address: 100 Pottery Road, Commerce, GA 30529

# CAUTION

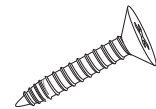
- Be sure to carefully remove all parts from the carton and ensure that there are no damages to any of them.
- The hardware should be kept away from children when unpacking and assembling this product. Two adults are recommended for assembly.
- Follow the instructions in the instruction manual carefully and strictly to ensure that the product is assembled and operates as intended.
- Do not tighten all the screws until all the adjacent parts have been properly connected. Please do not throw away extra screws. Please refer to the actual product for the screw hole position.

## HARDWARE CONTENTS

### AA Glide and runner profile x 6

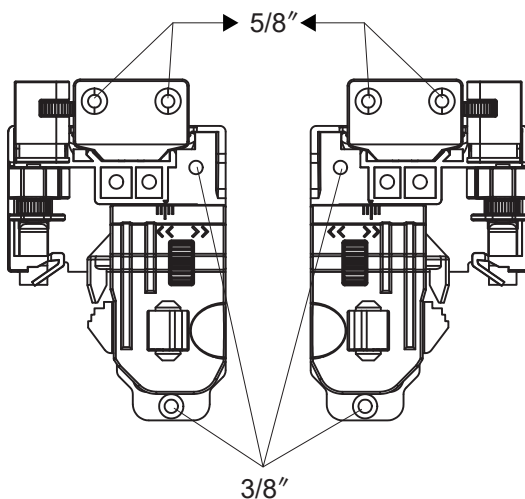


Included:  
5/8" Flat Head Phillips Screw x 30

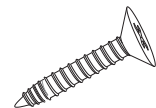


\*Two additional pieces are included as an extra

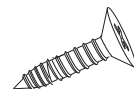
### BB Adjustable drawer clips x 6



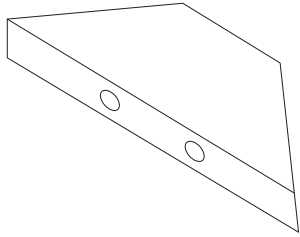
Included:  
5/8" Flat Head Phillips Screw x 12



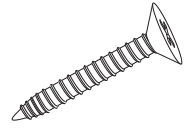
3/8" Flat Head Phillips Screw x 12



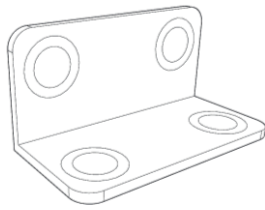
**DD Wood corner block x 4**



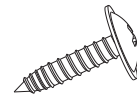
Included:  
1" Flat Head Phillips Screw x 8



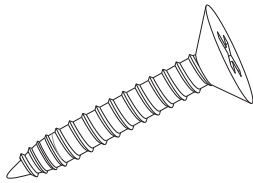
**EE Corner brace x 11**



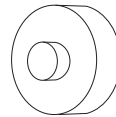
Included:  
1/2" Round Head Phillips Screw x 44



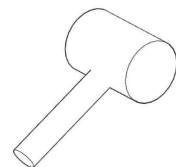
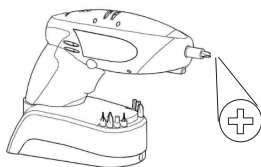
**GG 1" Flat head Phillips screw x 2**



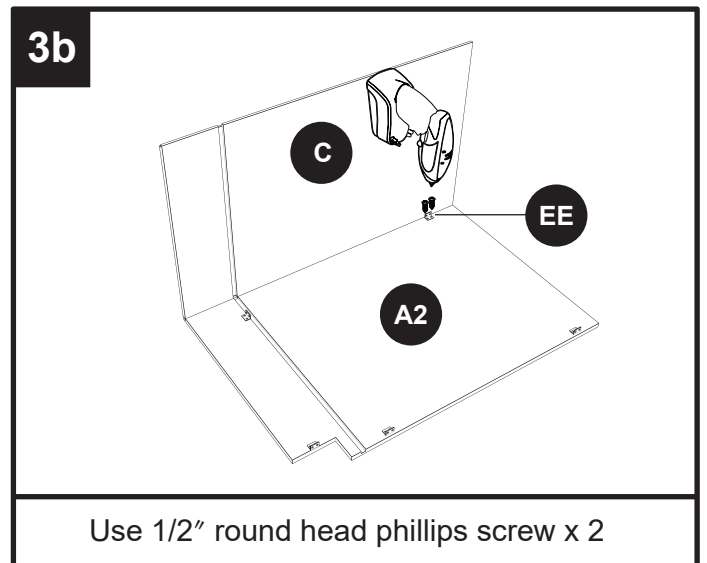
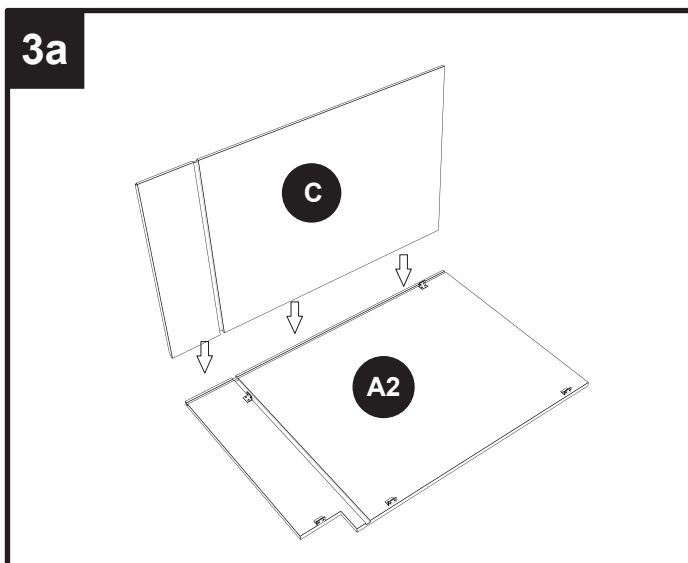
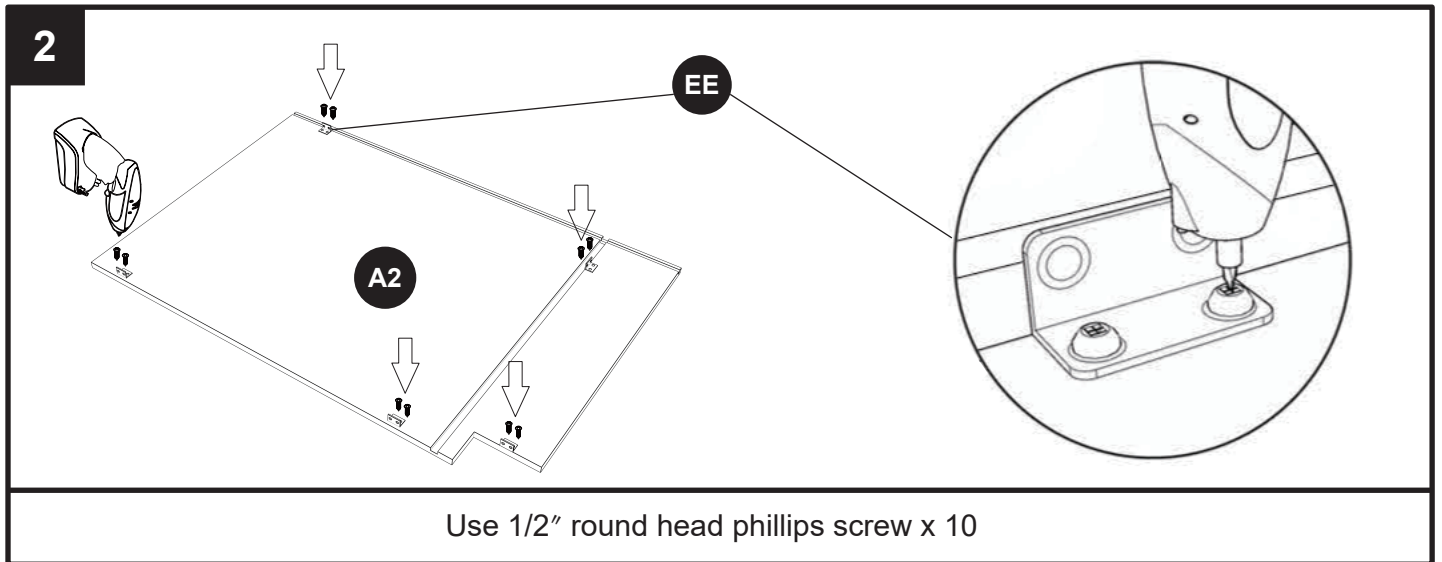
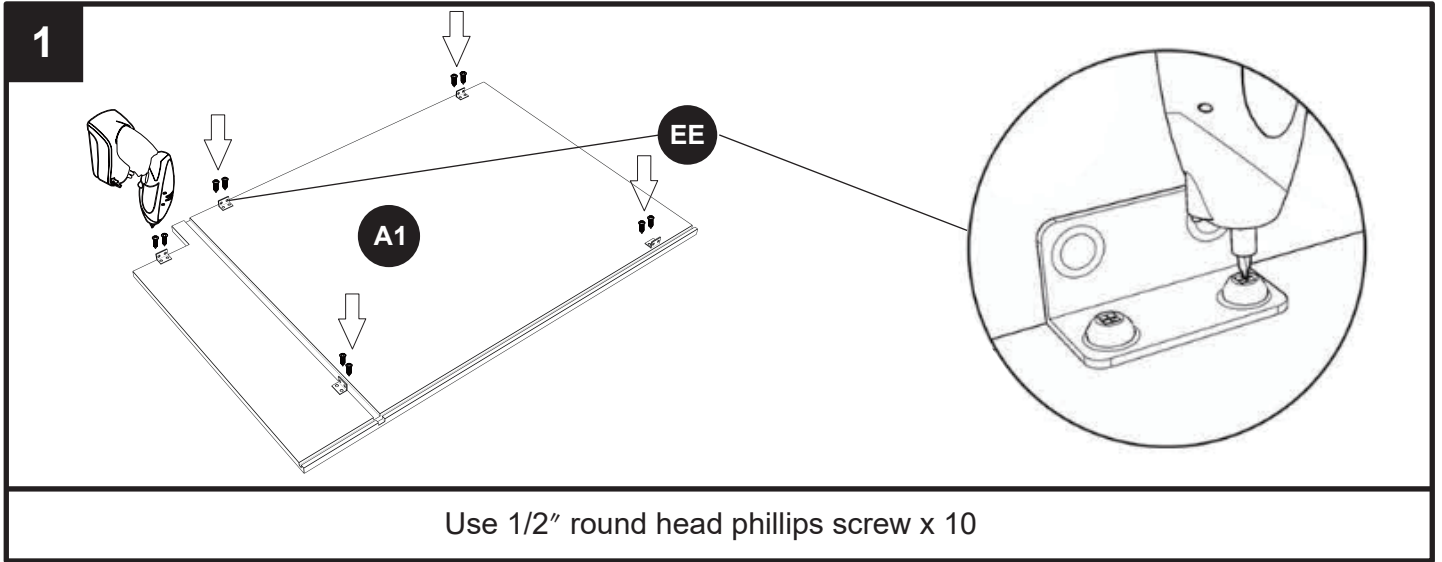
**HH Rubber bumper x 12**

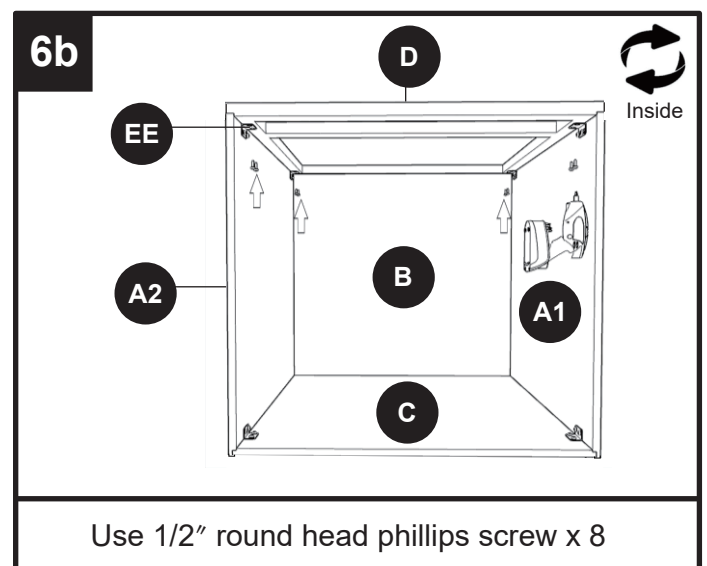
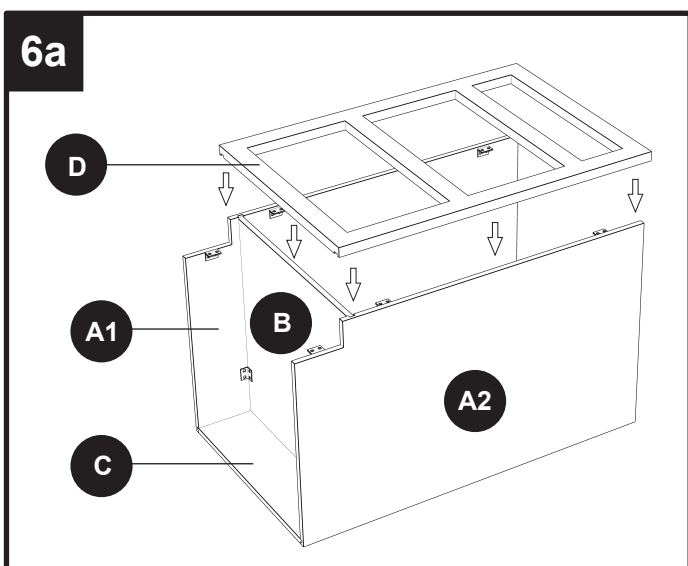
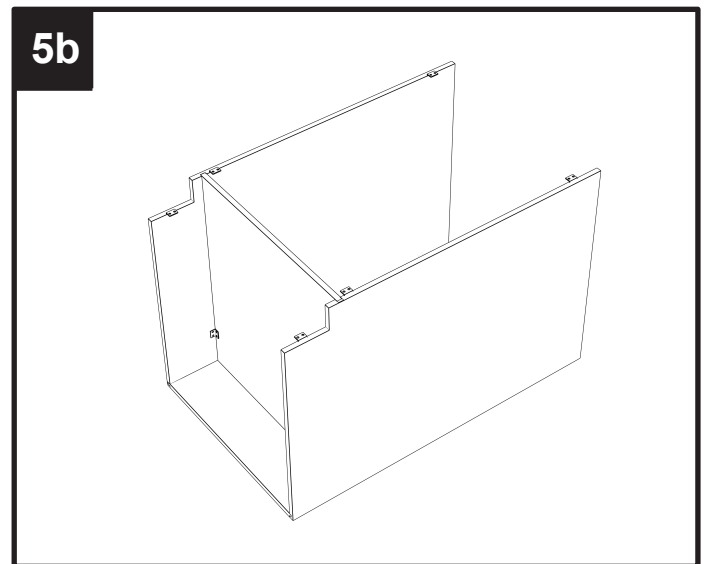
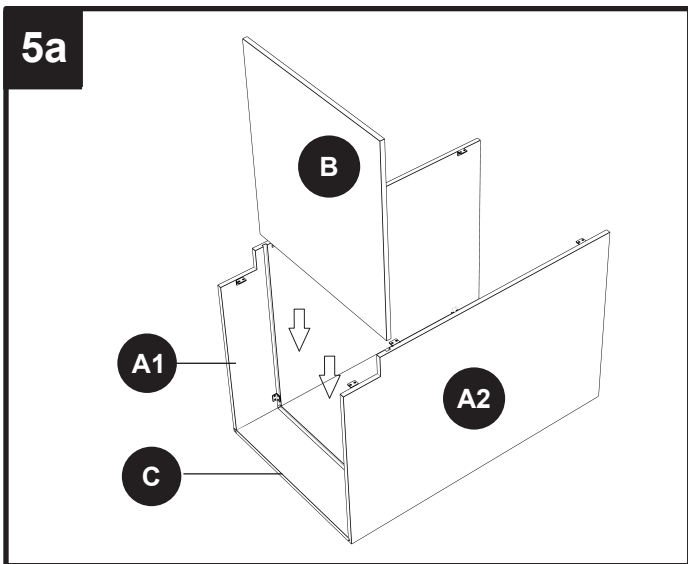
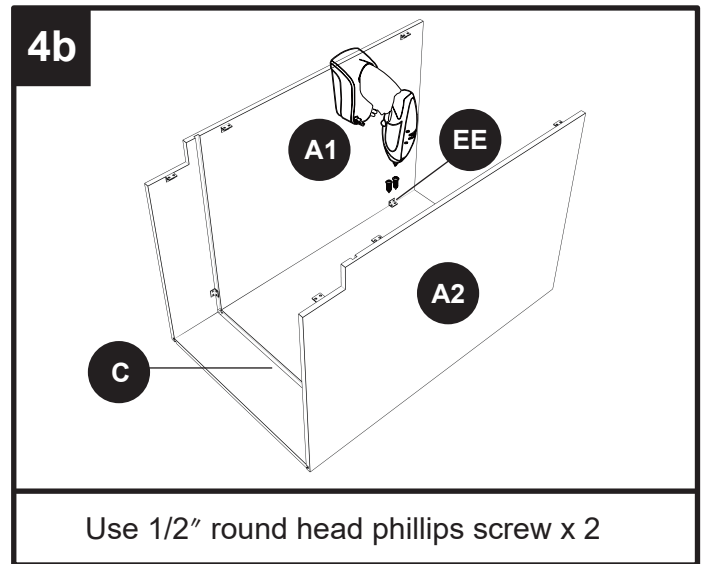
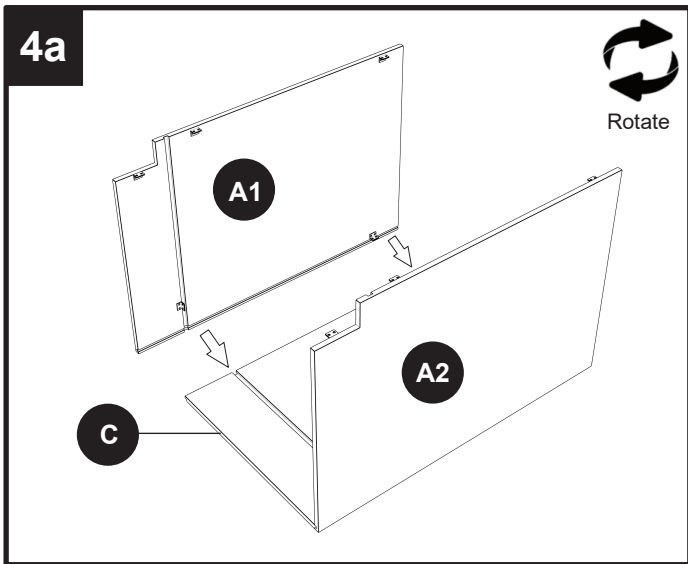


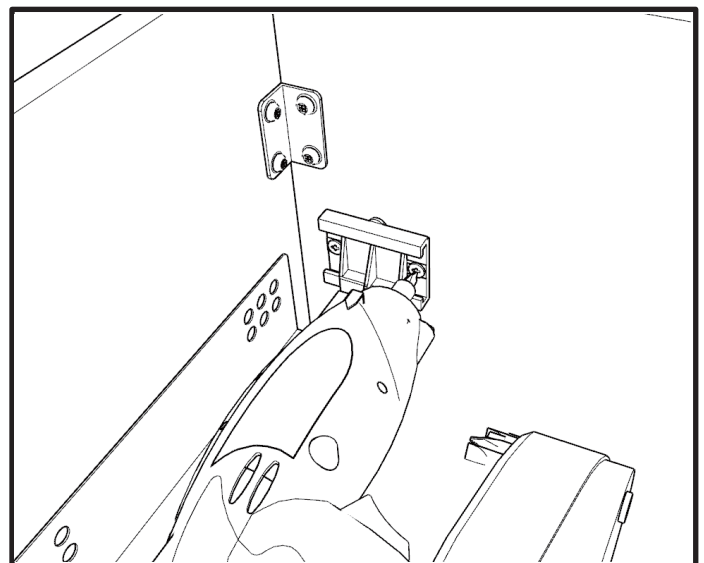
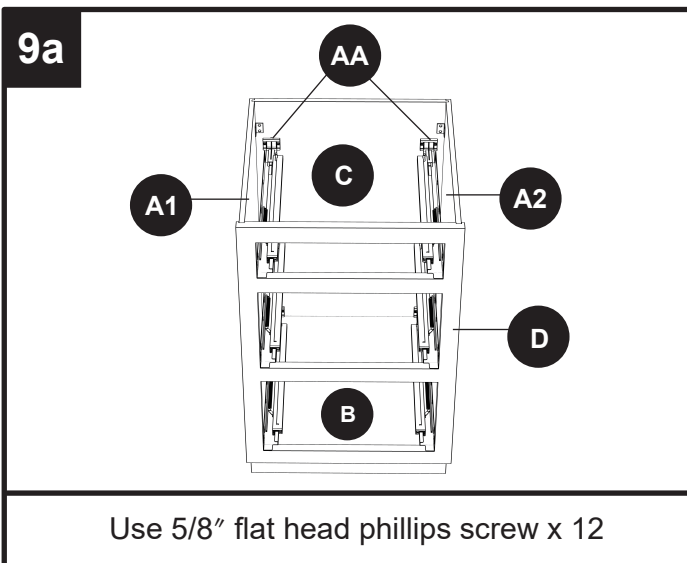
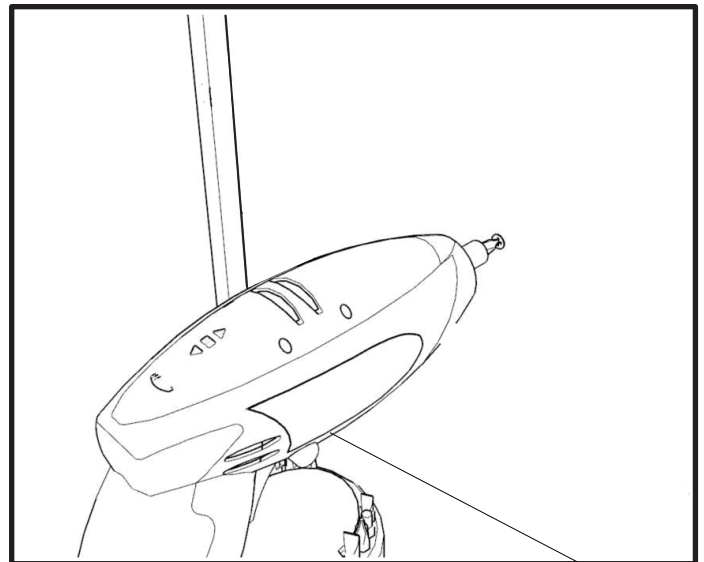
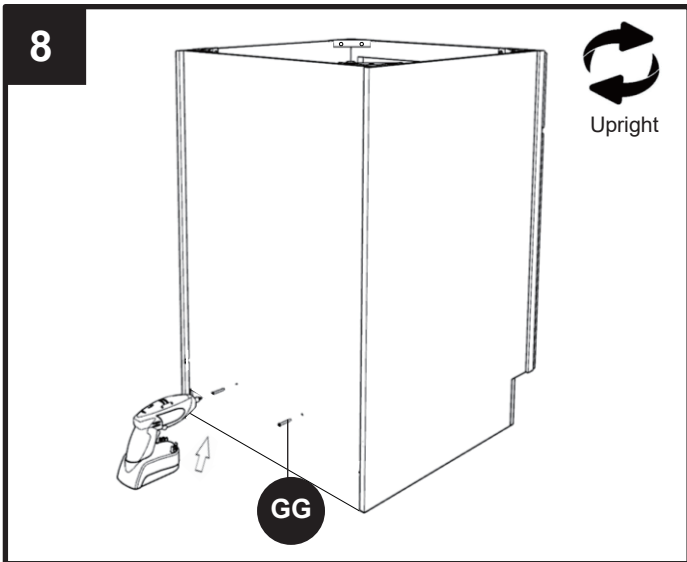
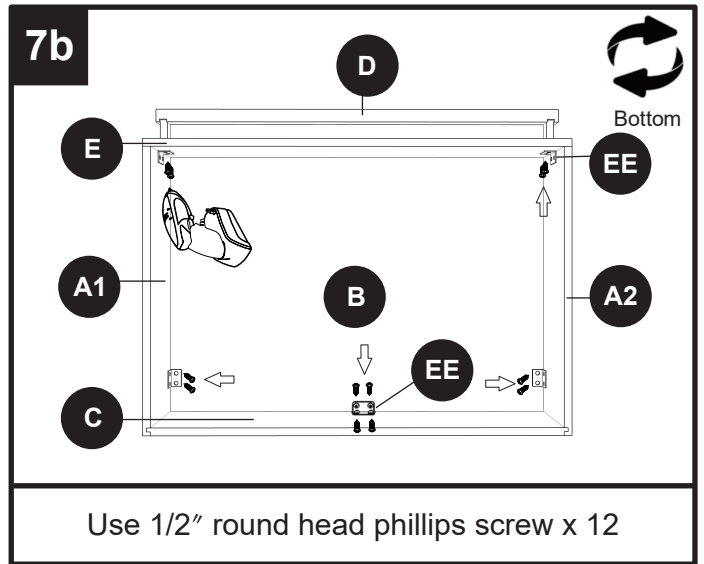
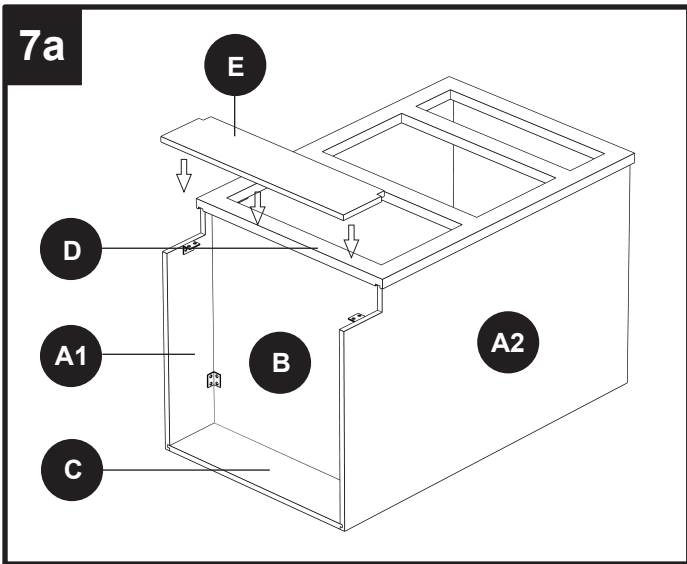
**TOOLS REQUIRED (NOT INCLUDED)**

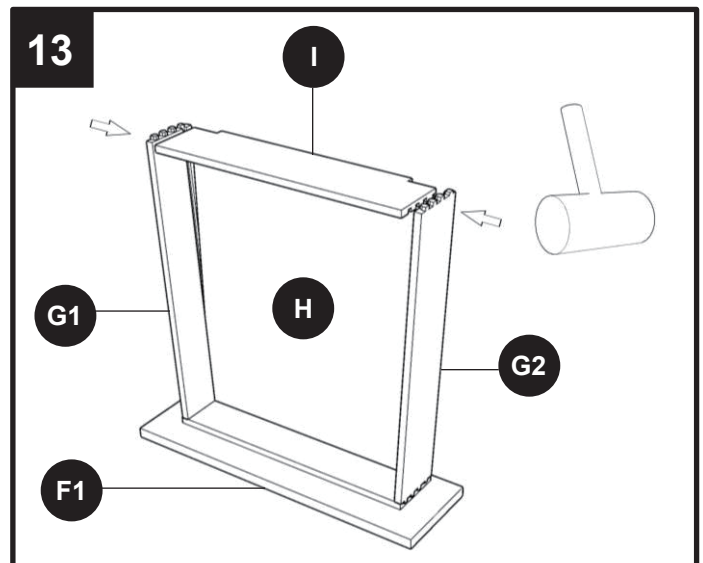
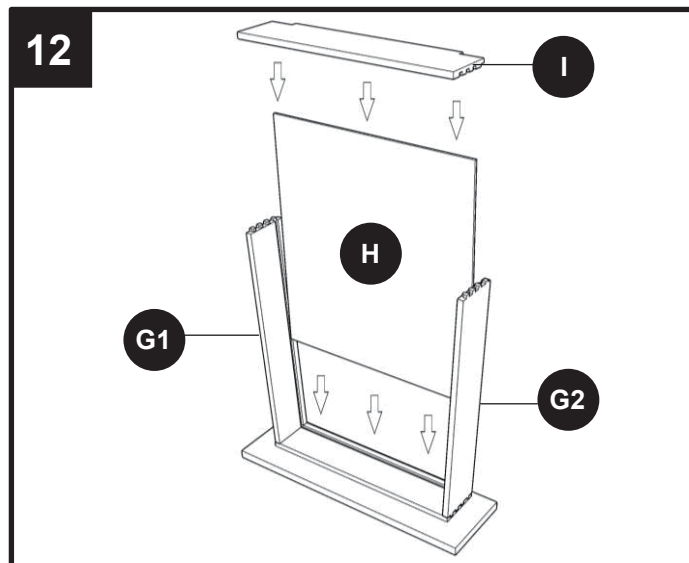
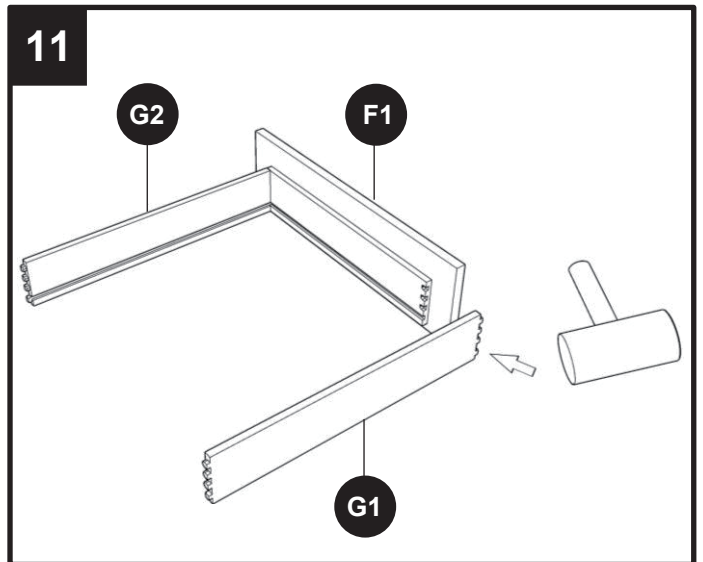
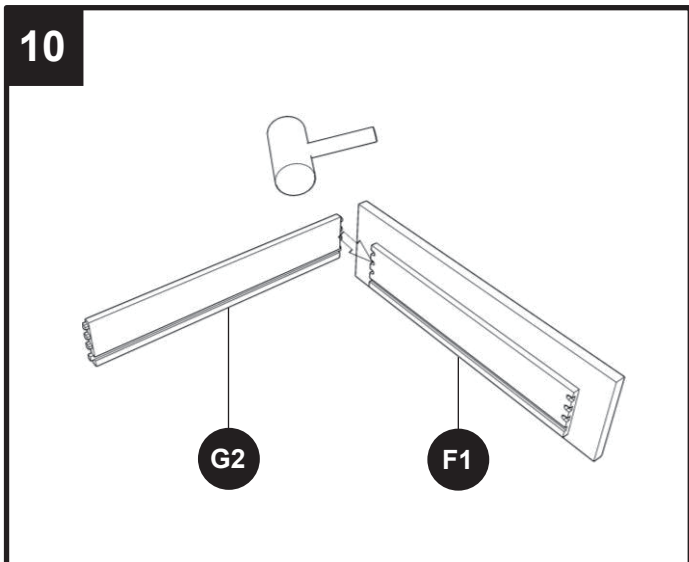
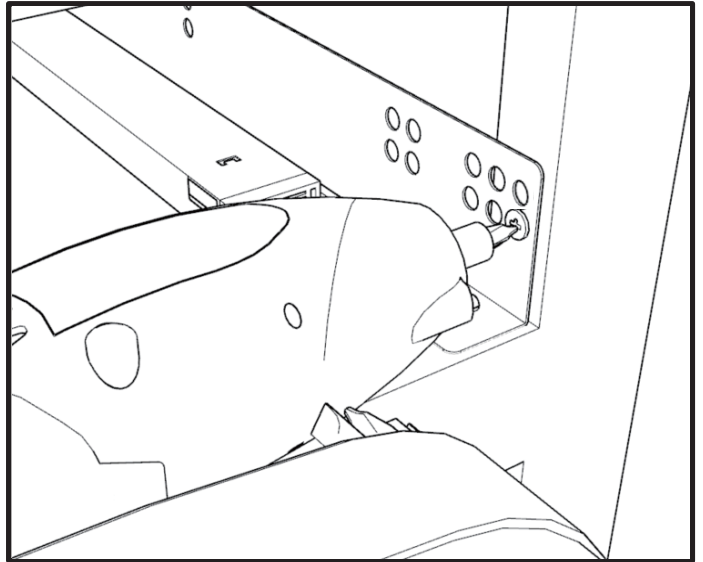
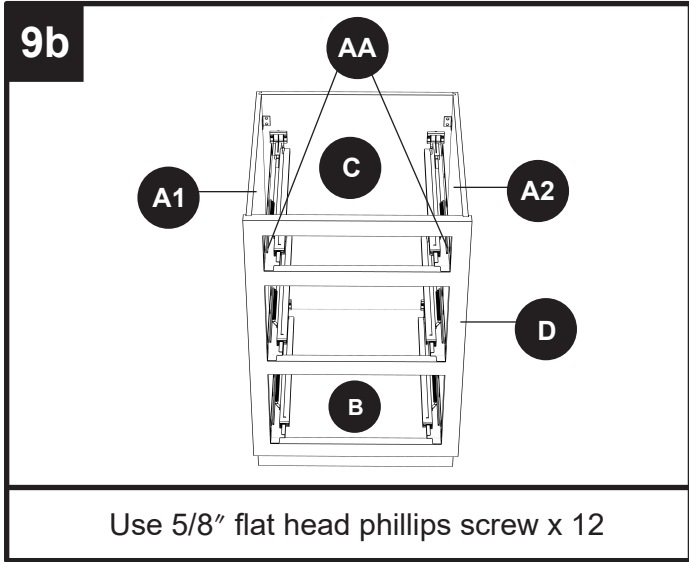


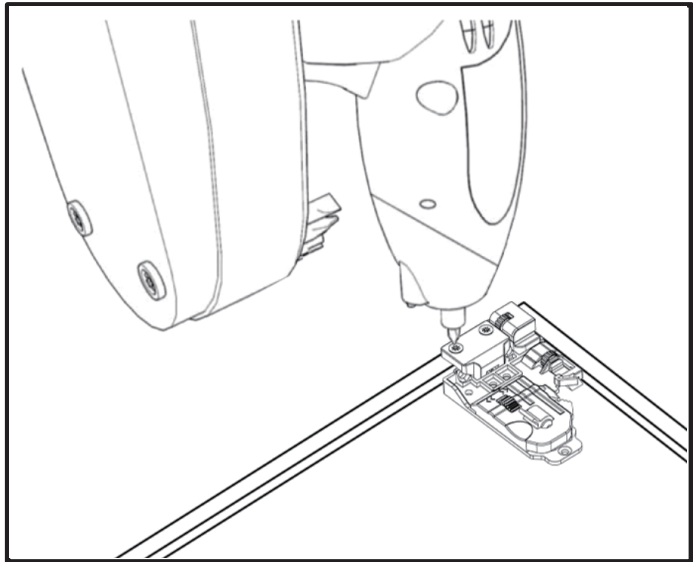
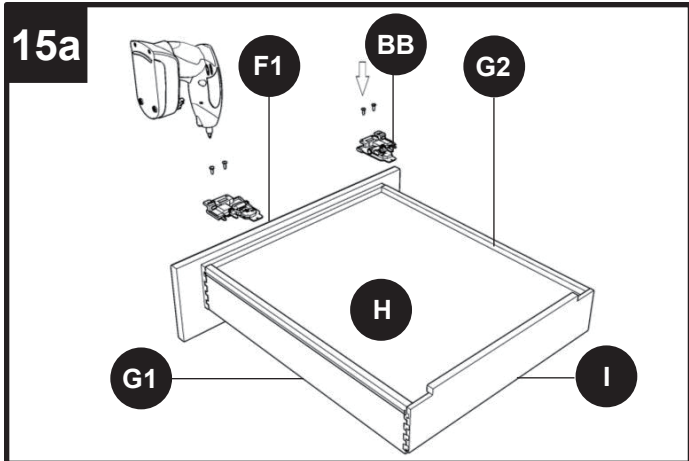
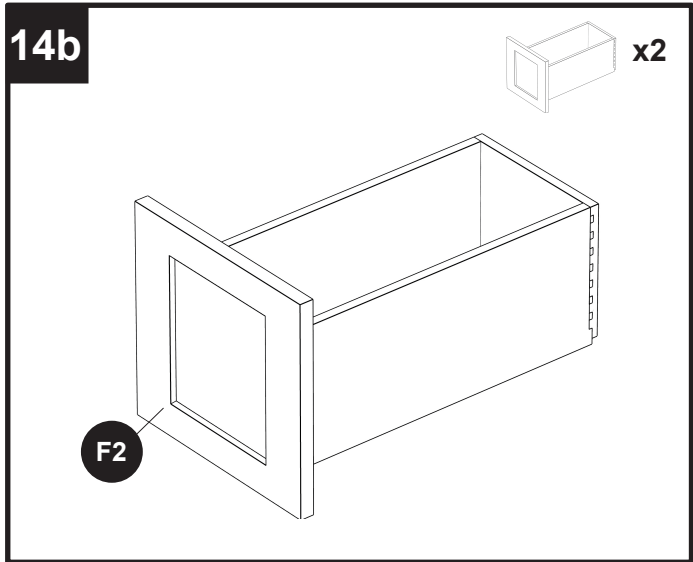
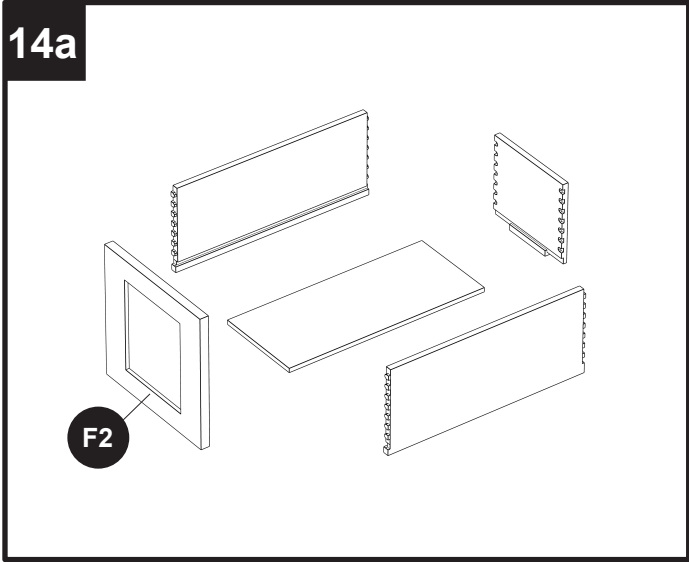
# INSTALLATION OVERVIEW



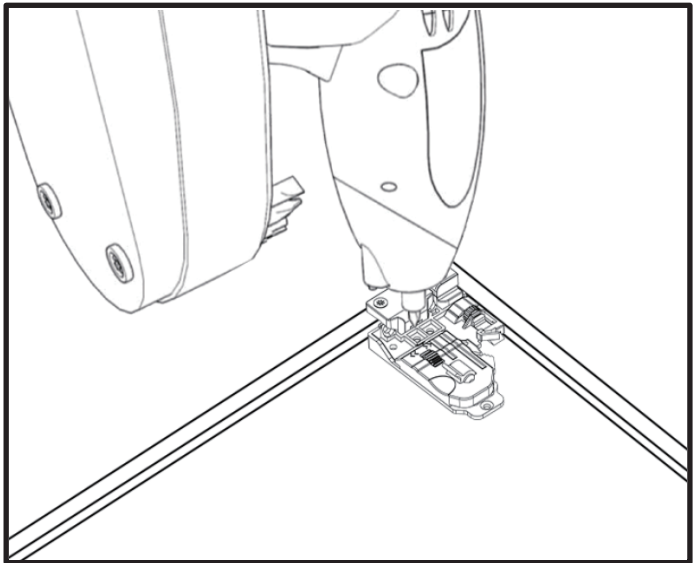
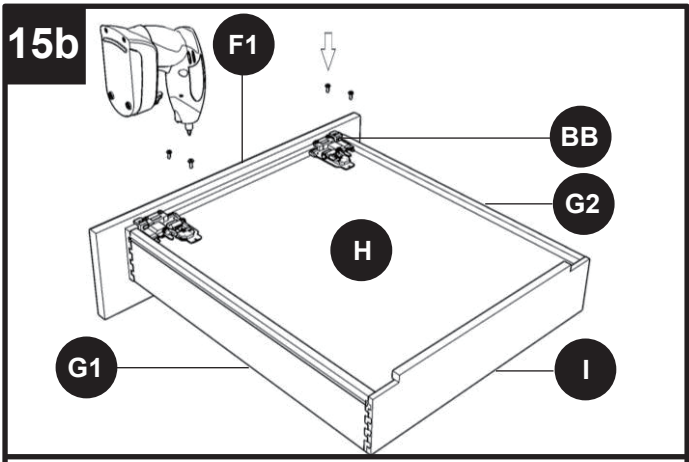






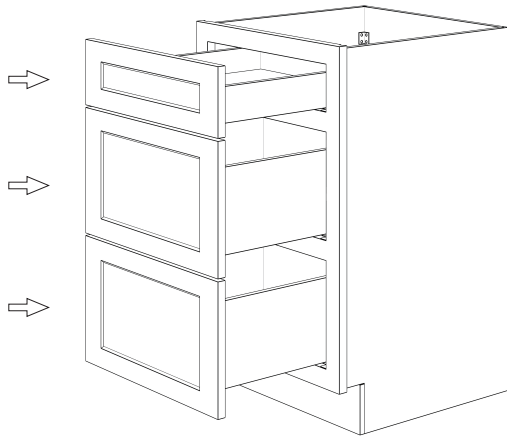


Use 5/8" flat head phillips screw x 4  
**Be careful of the screw type.**

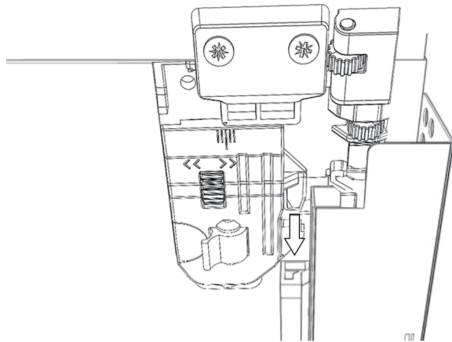
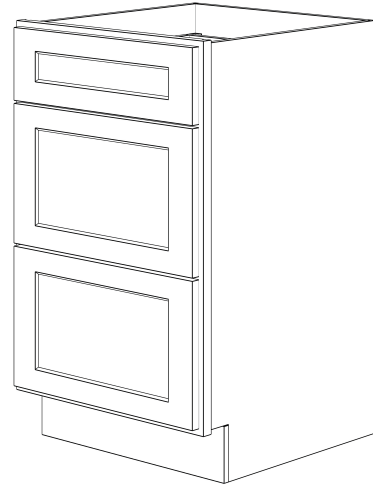


Use 3/8" flat head phillips screw x 4  
**Be careful of the screw type.**

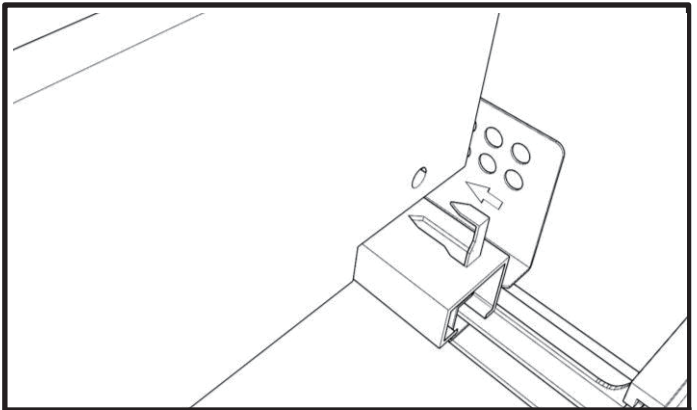
16



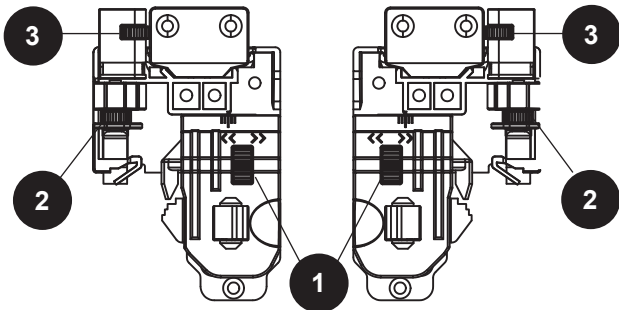
17



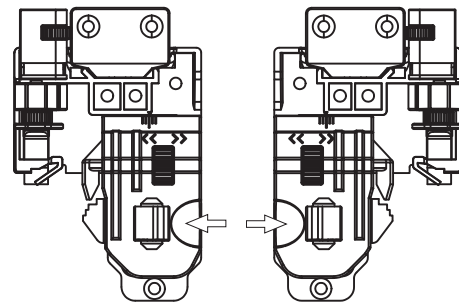
Insert the drawer on the extended runner. To secure the drawer clips with the runner, push the drawer in. Upon successful locking, a click can be heard.



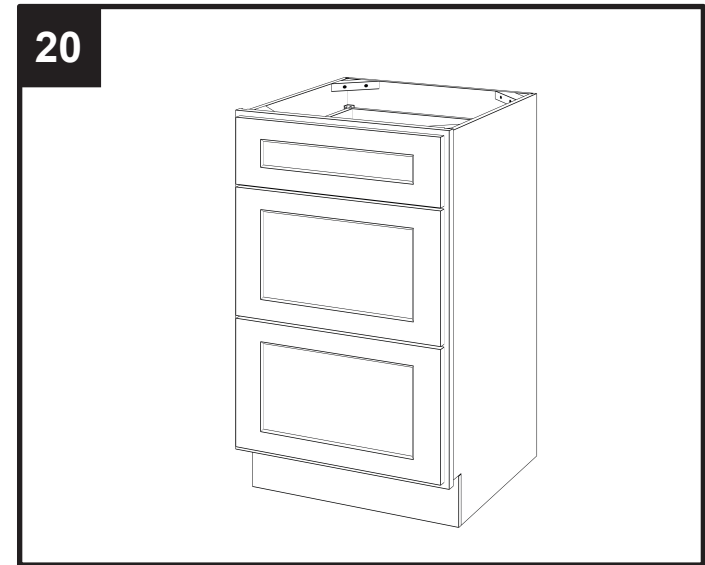
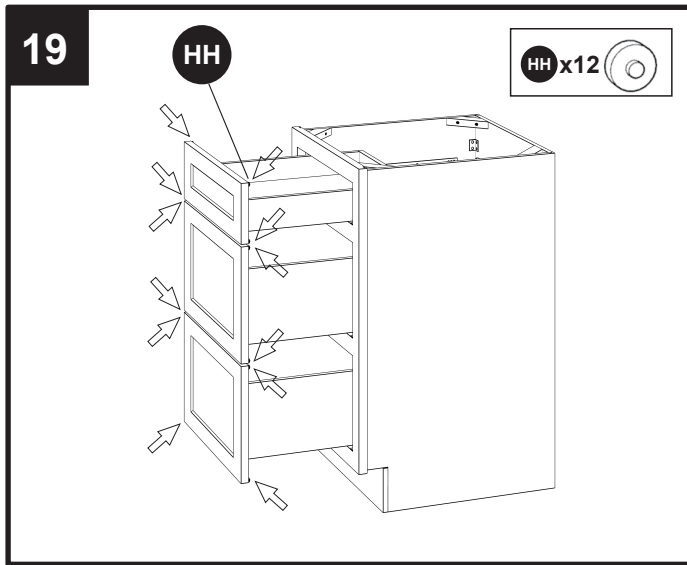
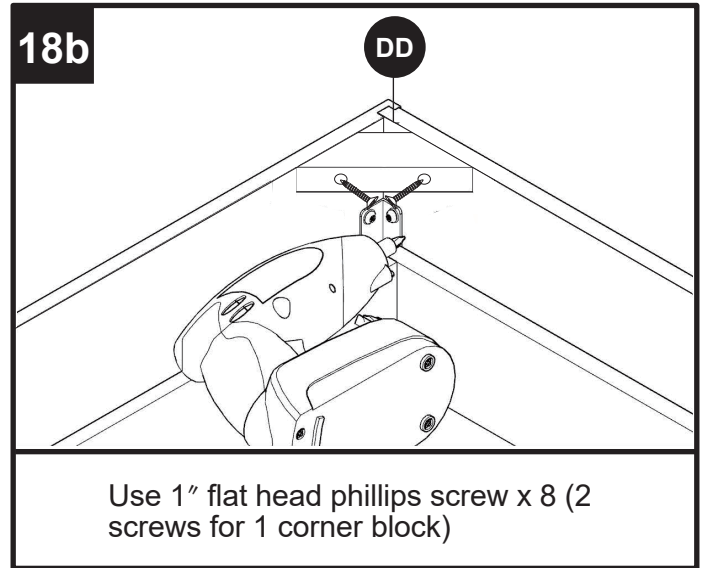
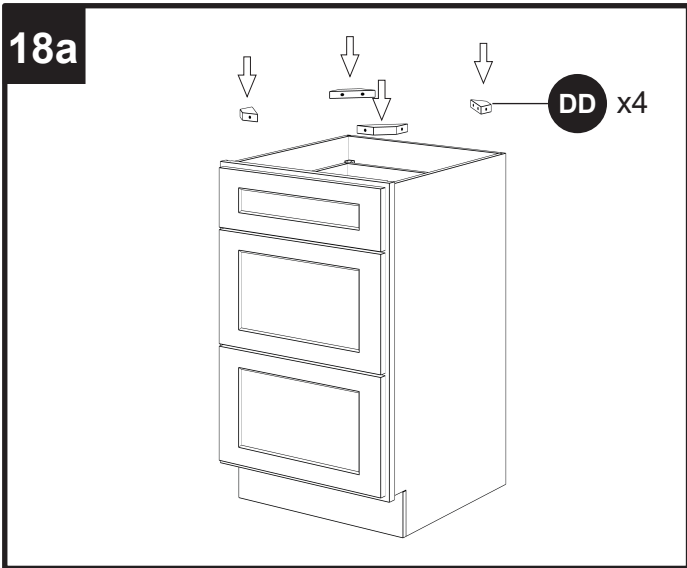
Ensure that the hook on each runner profile fits into the corresponding holes on the drawer back panel.



To level the drawer, use the orange spur gears 1 to adjust drawer left and right, the orange spur gears 2 to adjust drawer up and down, and the orange spur gears 3 to adjust drawer inside and outside.



To take the drawer out, push the orange clips at the same time to unlock drawer clips.



Dear customers,  
Thank you for purchasing our product. If you require assistance, please contact the customer service team at the retailer where you purchased the product. The customer service team will be happy to assist you.