



## Swash Bidet Toilet Seat Installation

### PRODUCT INFORMATION

#### PRODUCT FEATURES

(features vary depending on model)

**Dual Stainless Steel Nozzles** – separate stainless steel nozzles resist soiling and bacterial contamination for enhanced hygiene. The dual nozzle configuration ensures accurate coverage for all types of users.

**Aerated Wash Spray** – micro-bubbles introduced into the wash spray create a gentler, softer wash action designed for sensitive skin. In addition, the aerated spray reduces overall water consumption and is more effective in washing the skin.

**Positionable Nozzles** – each nozzle has seven different positions to ensure the most comfortable and complete wash.

**Ergonomic Heated Seat** – with four temperature settings (High/Med/Low/Off).

**Night Light** – an illuminating night light means no more blinding lights during midnight trips to the bathroom.

**Sturdy, “Sittable” Lid** – the strong bidet seat lid will support up to 270 pounds.

**Gentle Closing Seat and Lid** – “slam free” gentle closing seat and lid are user friendly.

**Instant and Endless Warm Water** – the cutting-edge instant ceramic heating system ensures an endless warm water stream for posterior and feminine washes.

**Adjustable Water Temperature and Pressure** – each wash mode (Front and Rear) has four available water temperature settings, and three water pressure settings.

**Wide Spray Option** – three width settings widens the wash spray from a strong concentrated stream to a soft spray for a more personal and thorough wash.

**Wireless Remote Control** – the intuitive remote control comes with a convenient magnetic dock and mounting bracket, and includes its own Eco Mode to conserve battery life.

**Two User Memory Settings** – personalize your settings like water temperature, water pressure, and even the spray width to your own preferences and retain them with two programmable profile settings.

**“Auto” Function** – activates a preset for either a Front or Rear wash cycle. The Dry cycle will then activate with the Swash 1400. See page 22 for more details.

**Automatic Eco Mode** – this function automatically lowers the seat temperature ten minutes after the Swash was last used.

**Quick-Release Seat** – quick-release button for easy removal and cleaning of seat and toilet.

## PRODUCT FEATURES (cont.)

**Warm Air Dryer** – includes adjustable temperature with three levels for a hands-free experience and toilet paper reduction – even elimination.

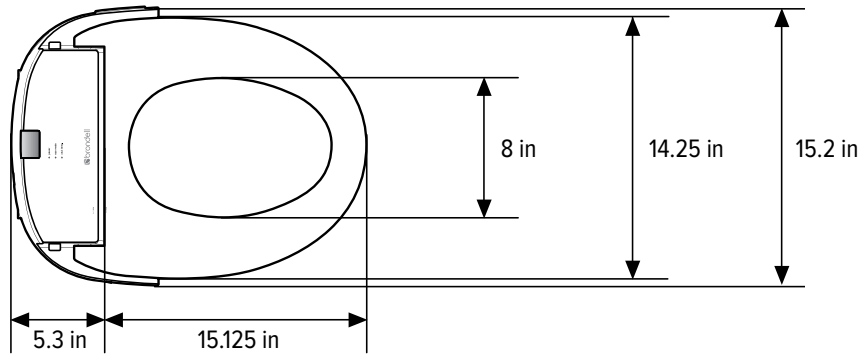
**Nozzle Oscillation** – the move function provides a massaging, oscillating cleanse during the wash cycle ensuring a thorough and comfortable wash.

**Nozzle Sterilization** – utilizing silver as a natural antibacterial agent we are able to create a sterilizing wash for the nozzles that is 100% chemical and maintenance free keeping them clean, hygienic, and corrosion free.

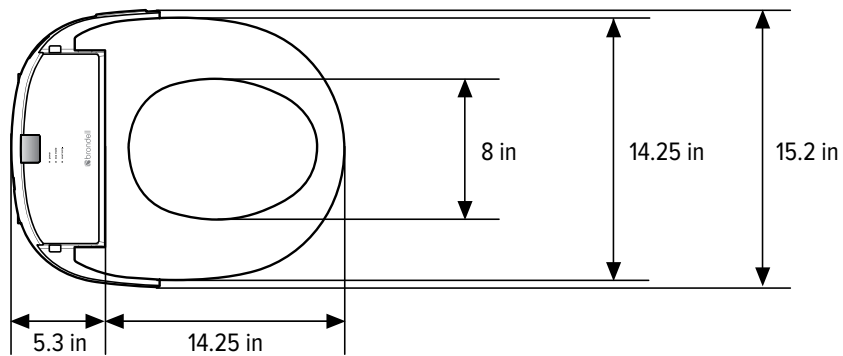
**Deodorizer** – the activated charcoal deodorizing filter eliminates odors at the source. It does not cover or mask odors, but eliminates them by removing air from the toilet bowl, passing it through the replaceable filter and expelling the clean air through the vent in the back of the Swash.

# PRODUCT DIMENSIONS

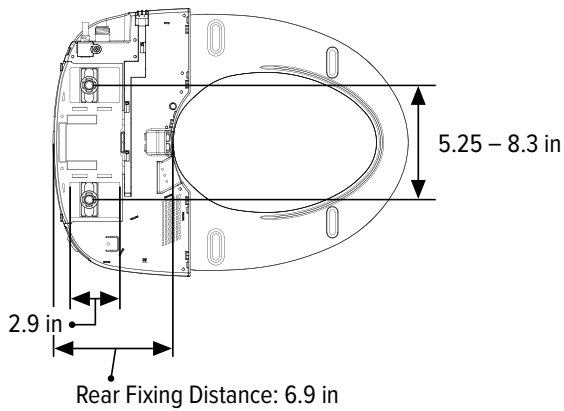
## Elongated Top View



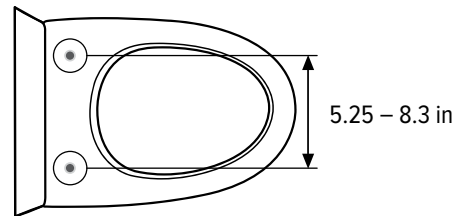
## Round Top View



## Bottom View

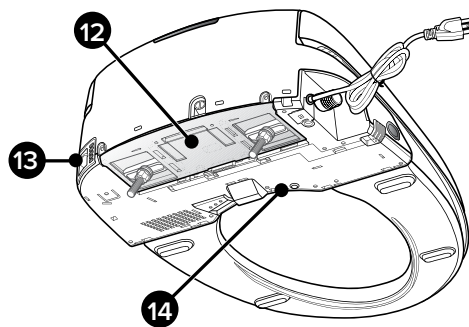
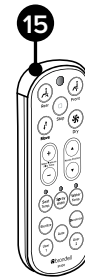
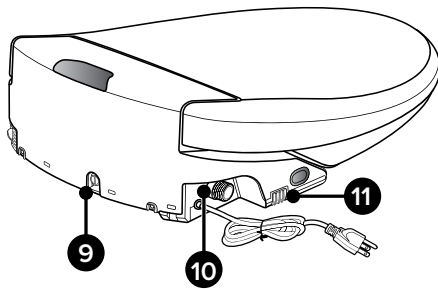
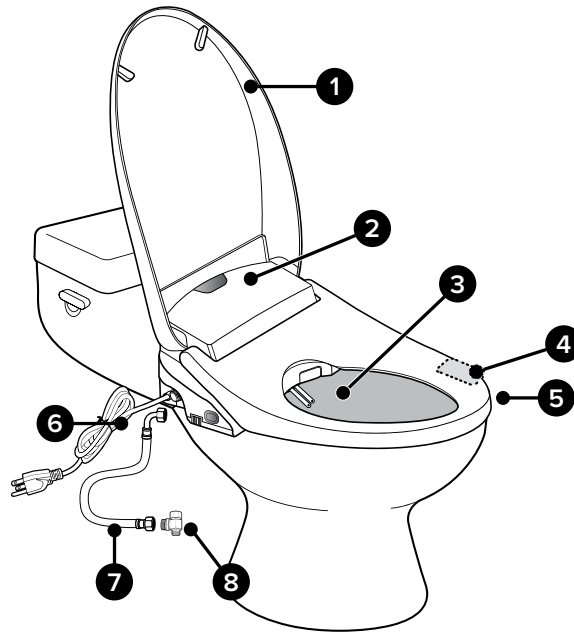


## Distance Between Mounting Holes



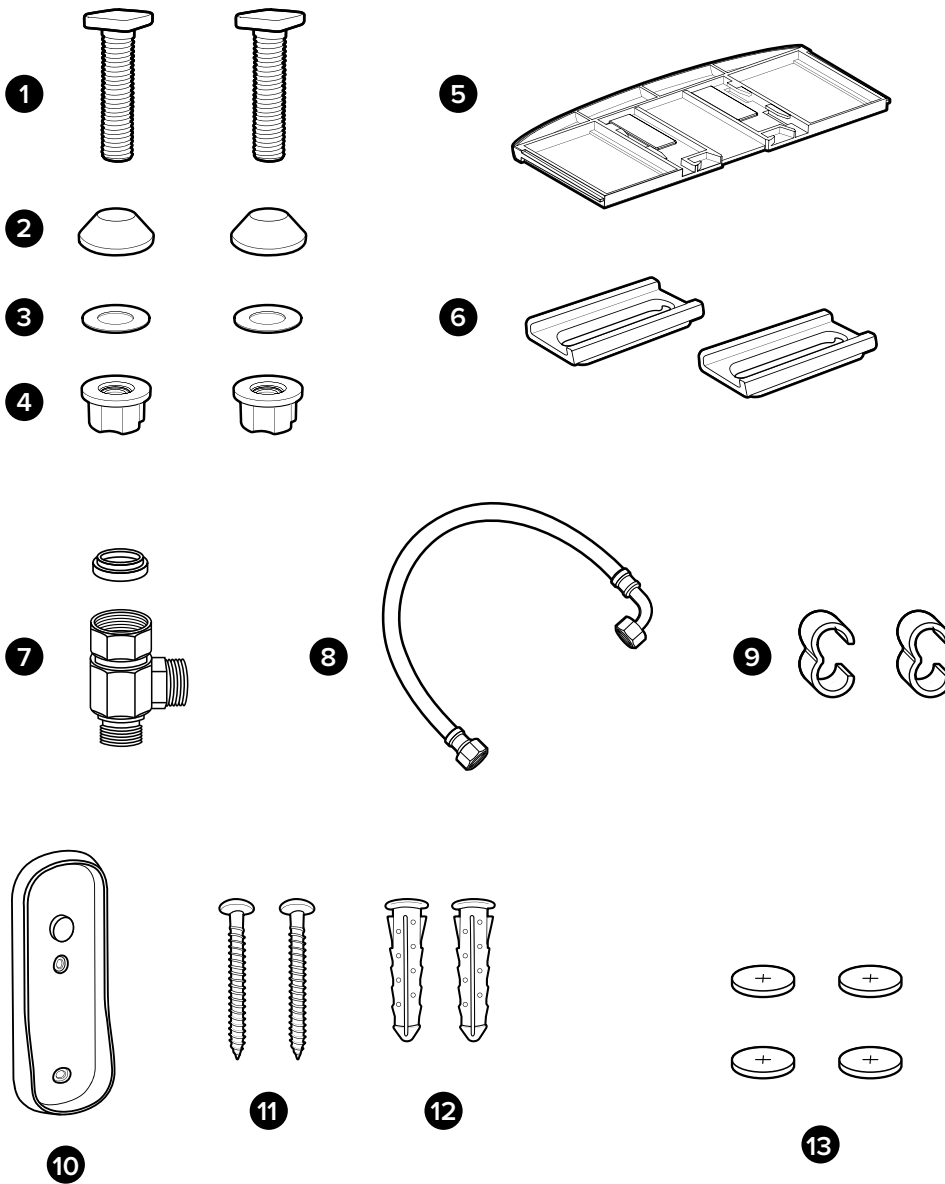
# PRODUCT PARTS

1. Lid
2. IR Sensor
3. Stainless Steel Nozzles
4. Body (seat) Sensor
5. Seat
6. Power Cord
7. Bidet Hose
8. T-Valve
9. Drain Plug
10. Water Inlet
11. Quick Release Button
12. Mounting Plate
13. Deodorizer
14. Night Light
15. Remote Control



# INSTALLATION PARTS

1. Mounting Bolt (2)
2. Rubber Cone Washer (2)
3. Flat Washer (2)
4. Barrel Nut (2)
5. Mounting Plate
6. Adjustable Bracket (2)
7. T-Valve Connector with Rubber Washer
8. Bidet Hose
9. Cable Clips (2)
10. Remote Control Wall Mount
11. Remote Screw (2)
12. Remote Anchor (2)
13. CR2032 Batteries (4)



# BEFORE INSTALLATION

## WATCH OUR INSTALLATION VIDEO

Installation for all Swash products can be found online at [brondell.com](http://brondell.com)

## CHECK FOR TOP MOUNT INSTALLATION

If your fixture only has top-side access to the mounting bolts that hold the seat to the toilet, you will likely need to purchase the Swash Bidet Seat Top Mount Hardware Kit, found on [brondell.com](http://brondell.com).

## CHECK FOR A CONCEALED TOILET FILL VALVE

Many modern toilets have sleek designs intended to cover and camouflage plumbing connections, which makes a standard Swash installation difficult or impossible. For this, we recommend using our Alternate Swash Bidet Seat T-Valve, found on [brondell.com](http://brondell.com).

## CHECK WATER SUPPLY LINE

Check the line that connects the toilet tank to the water shut off valve. If it is a rigid pipe, you may need to purchase a flexible hose to replace it before installing the Swash. The length of the hose and the size of the connectors will vary.

## RESIDUAL MOISTURE IS NORMAL

Every product is tested with pure water during production to ensure the highest quality and performance. It is normal to find a small amount of residual moisture on the product and in the reservoir and filter.

## TOOLS

A **Phillips head or standard screwdriver** may be needed to remove the existing toilet seat and a **standard wrench** may be needed for tight water supply connections. **Teflon tape** can be helpful in creating a water-tight seat between plumbing connections.

## SWASH INSTALLATION

Please read these instructions carefully before installing the Swash. Failure to do so could result in flooding, leaking or damage to the product.

1. Existing Toilet Seat Removal
  - a. Lift hinge covers and use a screwdriver to remove the mounting bolts.
  - b. Remove the toilet seat.

**NOTE:** Steps may vary by type of seat and toilet

# PRODUCT INSTALLATION (cont.)

## SWASH INSTALLATION (cont.)

2. Turn Off Water Supply Valve and Flush Toilet
  - a. Turn water valve off to stop the flow of water.
  - b. Flush toilet and hold down handle to completely empty tank.
  - c. Disconnect water supply hose from toilet tank. Do not disconnect from the water supply valve.

### NOTES:

- You may wish to place a container under the tank to catch any excess water.
- Do not continue without completing the above steps
- Failure to do so could result in flooding, leaking or damage to the Swash.

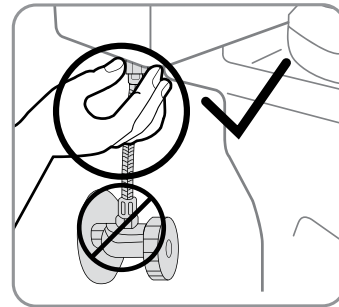
3. Connect T-Valve to the Toilet Tank Fill Valve
  - a. Place the flat edge of the rubber washer into the T-Valve against the metal with the raised lip facing the toilet tank connection.
  - b. Install the T-Valve with the rubber washer to the incoming water connection on the bottom of your toilet tank.

### NOTES:

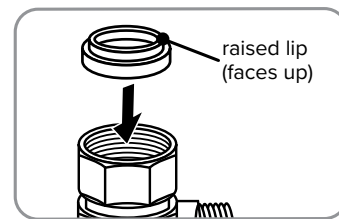
- The T-Valve connects to the fill valve directly under your toilet tank - it does not connect at the wall.
- Only connect to the cold toilet water supply line.
- If your water supply line is rigid you may need to replace it before continuing.

4. Connect the water supply line coming from the wall to the bottom of the T-Valve.

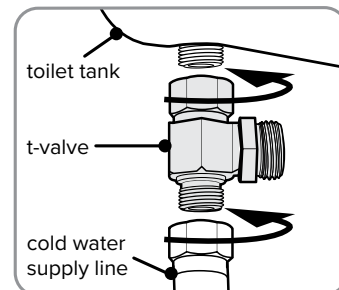
5. Install Mounting Plate
  - a. Place adjustable mounting plate over mounting holes on toilet, rubber side faces down, curved edge faces toward the toilet tank.
  - b. Place adjustable brackets flat side down in the center of the square opening in the mounting plate and insert mounting bolts through adjustable brackets and mounting holes. Be sure that the square mounting bolt head is even with sides of adjustable bracket.
  - c. Slide rubber cone washer, flat washer, and then barrel nut onto mounting bolts under the toilet bowl and tighten to keep mounting plate in place.



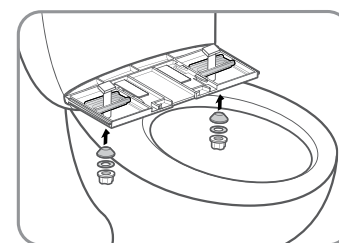
Step 2c



Step 3a



Steps 3-4



Steps 5b & 5c

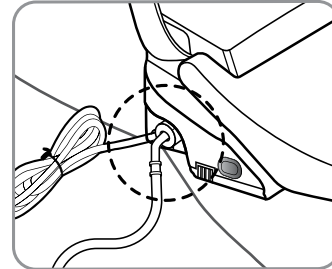
# PRODUCT INSTALLATION (cont.)

## SWASH INSTALLATION (cont.)

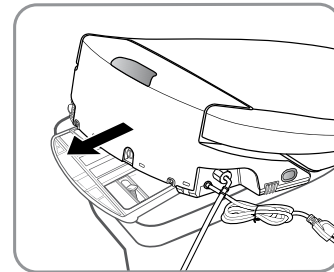
6. Connect the Bidet Hose to the Seat
  - a. Connect the bidet hose to the water inlet. Hand-tighten to secure. Take care not to twist the bidet hose, excessively bend it, or strip the plastic screw threads when screwing the hose onto the bidet seat.
7. Attach the Swash to the Mounting Plate
  - a. Set the Swash flat on the toilet bowl in front of the mounting plate, and slide seat onto plate until it is secure and “clicks” into place.
  - b. If the seat appears too short or too long for the toilet, adjust the mounting plate accordingly. To adjust the mounting plate, loosen barrel nuts underneath the toilet and slide seat forward or backwards as needed. Once the seat is lined up properly, tighten barrel nuts to hold in place.
8. Connect the open end of the Bidet Hose to the T-Valve.
9. Turn On Water Supply
  - a. Open the main water supply valve slowly and check for leaks.
  - b. Wait 5 minutes, check again and if there are no leaks continue.
10. Connect Power
  - a. Plug the power cord into the electrical outlet.
  - b. If desired, use the included Cable Clips to connect the power cord and bidet hose side-by-side for a tidier appearance.

### NOTES:

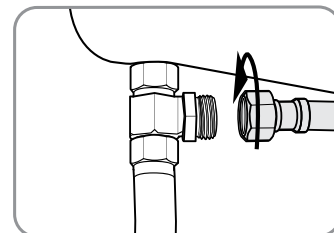
- Make sure to only use a grounded GFCI (ground fault circuit interrupter) electrical outlet. In the case of a short circuit, a grounded GFCI outlet may help prevent electric shock or injury.
- If it is necessary to use an extension cord, only use those rated for a minimum of 15 amps with a three-wire extension cord with a three-blade grounding plug.



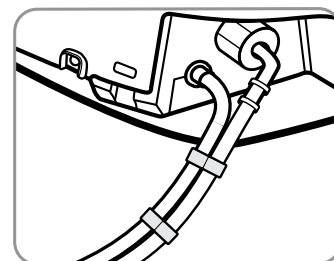
Step 6a



Step 7b



Step 8



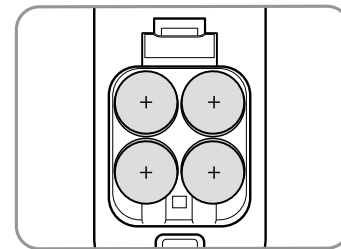
Step 10b

# PRODUCT INSTALLATION (cont.)

## REMOTE CONTROL INSTALLATION

### 1. Battery Installation

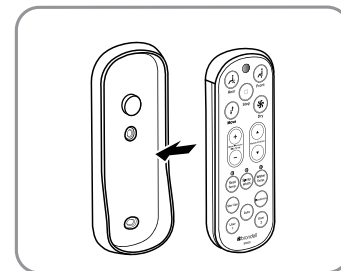
- a. Separate the remote control from the magnetic dock.
- b. Turn remote over and open the child-proof battery compartment by popping off the battery cover with a flat-head screwdriver or small coin. Insert the four included CR2032 batteries “plus” side up and replace battery cover.
- c. To confirm the batteries are installed correctly, press the Stop button and you should see the “Wide Spray” LED light turn on for a few seconds (NOTE: the 2 other LED lights may or may not turn on at this time depending on the current settings).



Step 1b

### 2. Mount Remote (optional)

- a. Identify a location in the bathroom for the remote control that is visible and reachable from the toilet.
- b. Depending on the wall type, you can install using the supplied screws and anchor mounts or use the provided double stick tape on the back of the remote wall mount.  
Make sure the remote mount is fully secure with either method so that it does not fall and damage the remote control.



Step 2c



#### **DANGER – Important Battery Information:**

1. Remote contains “coin-style” batteries – keep away from children. If swallowed, seek medical attention immediately.
2. Ingestion of batteries may cause severe injury or death in just 2 hours.
3. Use only CR2032 batteries. Do not mix new and old batteries together.
4. Double-check the + and – direction.
5. Take care when opening the battery compartment to replace the batteries - the batteries are spring-loaded.
6. Dispose of old batteries carefully.



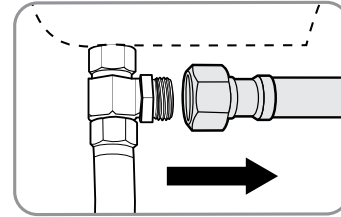
For California Residents: CR2032 batteries contain Perchlorate Material - special handling may apply. Visit <http://www.dtsc.ca.gov/hazardouswaste/perchlorate> for more information.

# EXTERNAL BIDET FILTER INSTALLATION

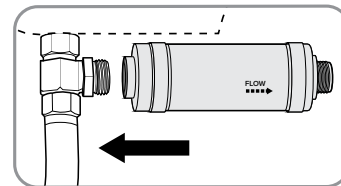
**NOTE:**

- Customers with hard water, well water, and softened water can extend the life of their bidet seat by purchasing and installing an external inline water filter to be used with the Swash. The bidet filter should be changed every six months.

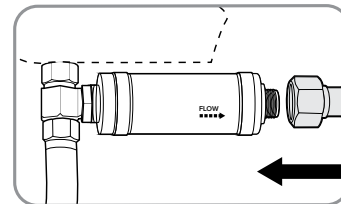
1. Turn Off Water Supply Valve and Flush Toilet.
  - a. Turn water valve off to stop the flow of water.
  - b. Flush toilet and hold down handle to completely empty tank.
2. Disconnect the Bidet Hose from the T-Valve
3. Connect the female end of the Swash Filter to the Open T-Valve Connection.
4. Connect the Bidet Hose to the male end of the Swash Filter.
5. Turn the toilet water supply valve back on.



Step 2



Step 3



Step 4

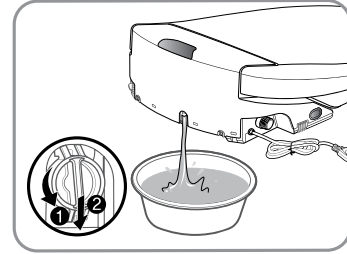
# PRODUCT STORAGE & USE | TROUBLESHOOTING

## Short Term Non-Use

If the product will not be used for more than a few weeks, you can simply unplug it. You may also consider shutting the water supply off at the wall for extra precaution.

## Long Term Non-Use

If the product will not be used for an extended time (longer than four months), you should unplug the unit, shut the water supply off at the wall, remove the Swash from the toilet, and then drain the Hot Water Heater. To drain the Hot Water Heater, remove the drain plug and the back of the bidet seat by turning it counterclockwise by 90 degrees (Image “1”) and then pulling it forward (Image “2”) so that any residual water drains out.



## TROUBLESHOOTING

---

If the bidet appears to be operating abnormally, please review the troubleshooting tips before calling the Brondell Service Center as most issues are easily resolved with a few simple steps. If you are unable to resolve the issue after checking the following items, please call the Service Center at 888-542-3355, Mon–Fri, 9am–5pm PST, or email us at [support@brondell.com](mailto:support@brondell.com).

### Check before continuing:

- Make sure the Swash is connected to power and that the outlet is working properly.
- Make sure you check & test the reset button on the GFCI outlet (Standard 120V GFCI outlet).
- Make sure the Remote Control has fresh batteries and they are installed correctly
- Make sure main water supply valve is open.
- Make sure the seat is not in Eco Mode.
- Confirm there are no leaks from hoses or water supply.
- Make sure Mesh Filter is clean and free of build up or debris (see maintenance section).

After checking items above, refer to the following troubleshooting chart for additional solutions

## TROUBLESHOOTING (cont.)

Problem	Possible Cause(s)	Solution(s)
The bidet seat is not working	<ol style="list-style-type: none"> <li>1. Bidet not plugged in</li> <li>2. No power to Swash</li> <li>3. There is power, but nothing happens when trying to use the Swash</li> <li>4. The incoming water is too hot</li> <li>5. Not activating Seat Sensor</li> </ol>	<ol style="list-style-type: none"> <li>1. Make sure the bidet is plugged in.</li> <li>2. Check and reset GFCI outlet.</li> <li>3. The Remote Control batteries may be dead. Replace them if necessary.</li> <li>4. Ensure that the bidet seat is connected to the cold water supply.</li> <li>5. Adjust sitting position to fully cover the Seat Sensor. Override the Seat Sensor (refer to special mode operation section to unlock Seat Sensor).</li> </ol>
Product shuts off during use	<ol style="list-style-type: none"> <li>1. Washing time exceeded the cycle time</li> <li>2. Power failure</li> <li>3. Water supply too hot</li> </ol>	<ol style="list-style-type: none"> <li>1. Press the wash button during cycle to extend the time (see operation section for more information about wash functions).</li> <li>2. Check and reset GFCI outlet.</li> <li>3. Ensure that the Swash is connected to the cold water supply only.</li> </ol>
Low water flow or spray pressure	<ol style="list-style-type: none"> <li>1. Clogged filter</li> <li>2. Water supply valve not opened fully</li> <li>3. Nozzles dirty</li> <li>4. External bidet filter</li> <li>5. Pressure &amp; wide spray settings</li> </ol>	<ol style="list-style-type: none"> <li>1. Remove, clean, and reinstall mesh filter (see maintenance section).</li> <li>2. Check that the water supply valve at wall is fully open.</li> <li>3. Clean nozzles (see maintenance section).</li> <li>4. If you have an external bidet filter, check and replace if necessary.</li> <li>5. Adjust the water pressure settings on the remote to increase and adjust the wide spray settings on the remote.</li> </ol>
Nozzles do not function properly	<ol style="list-style-type: none"> <li>1. Nozzles are dirty</li> <li>2. Clogged filter</li> <li>3. Water pressure is too low</li> <li>4. External bidet filter</li> </ol>	<ol style="list-style-type: none"> <li>1. Clean nozzles (see maintenance section).</li> <li>2. Remove, clean, and reinstall mesh filter (see maintenance section).</li> <li>3. Check water supply valve at wall to fully open.</li> <li>4. If you have an external bidet filter, check and replace if necessary.</li> </ol>

## TROUBLESHOOTING (cont.)

Problem	Possible Cause(s)	Solution(s)
Seat is not heated	1. Seat temperature set to off	1. Make sure that the Seat temperature setting is on (Low- Blue light, Med- Pink light, High- Red light, Off- No light).
Bidet wash feature does not work or fails to spray	1. Body sensor does not detect that you are sitting on the Swash	1a. Adjust sitting position to fully cover the Body Sensor (see page 9).  1b. Override the body sensor – refer to Special Mode Operation section on page 27 to unlock the body Seat Sensor.
Water (wash spray) not heated	1. Water temperature set to off  2. Resettable fuse blown	1. Make sure that the Water temperature setting is on (Low- Blue light, Med- Pink light, High- Red light, Off- No light).  2. The bimetal resettable fuse may blow if the temperature exceeds over the normal level. The bidet will not work and show an error message until the bidet cools down. The fuse will automatically reset.
Water flows before or after use	1. Water coming from nozzles	1a. The water that comes out between the nozzles before or after a wash cycle is the self-clean cycle and is not a malfunction.  1b. Residual water may drip into the bowl for several seconds after a wash cycle, self-clean cycle, or nozzle sterilization cycle and is not a malfunction.
Water leaks from areas other than the nozzles	1. Water leaking from the T-valve  2. Water leaking from the bidet hose connection  3. Water leaking from under the seat  4. Water leaking from behind the seat	1. Make sure that the rubber gasket is inserted correctly into the T-valve (flat side down with lip pointing up towards the toilet tank connection) and firmly tighten the connector.  2. Make sure that the bidet hose is correctly connected and tight. Check any rubber washers and do not over tighten.  3. Check if there is anything between the mesh filter and bidet. Remove, clean, and reinstall mesh filter. Check if the filter is damaged (see maintenance section).  4. Check the water tank plug in the back of the seat (see maintenance section under product storage and use).