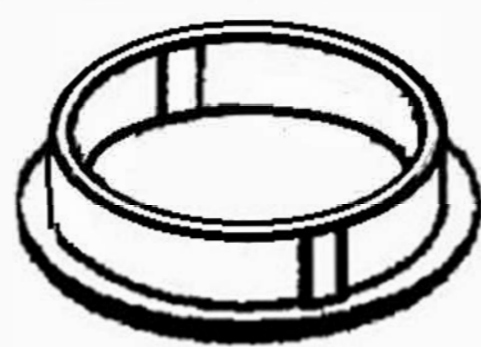


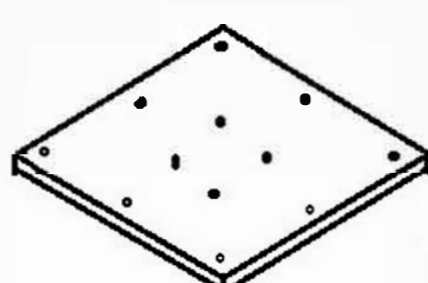










# Assembly Instructions



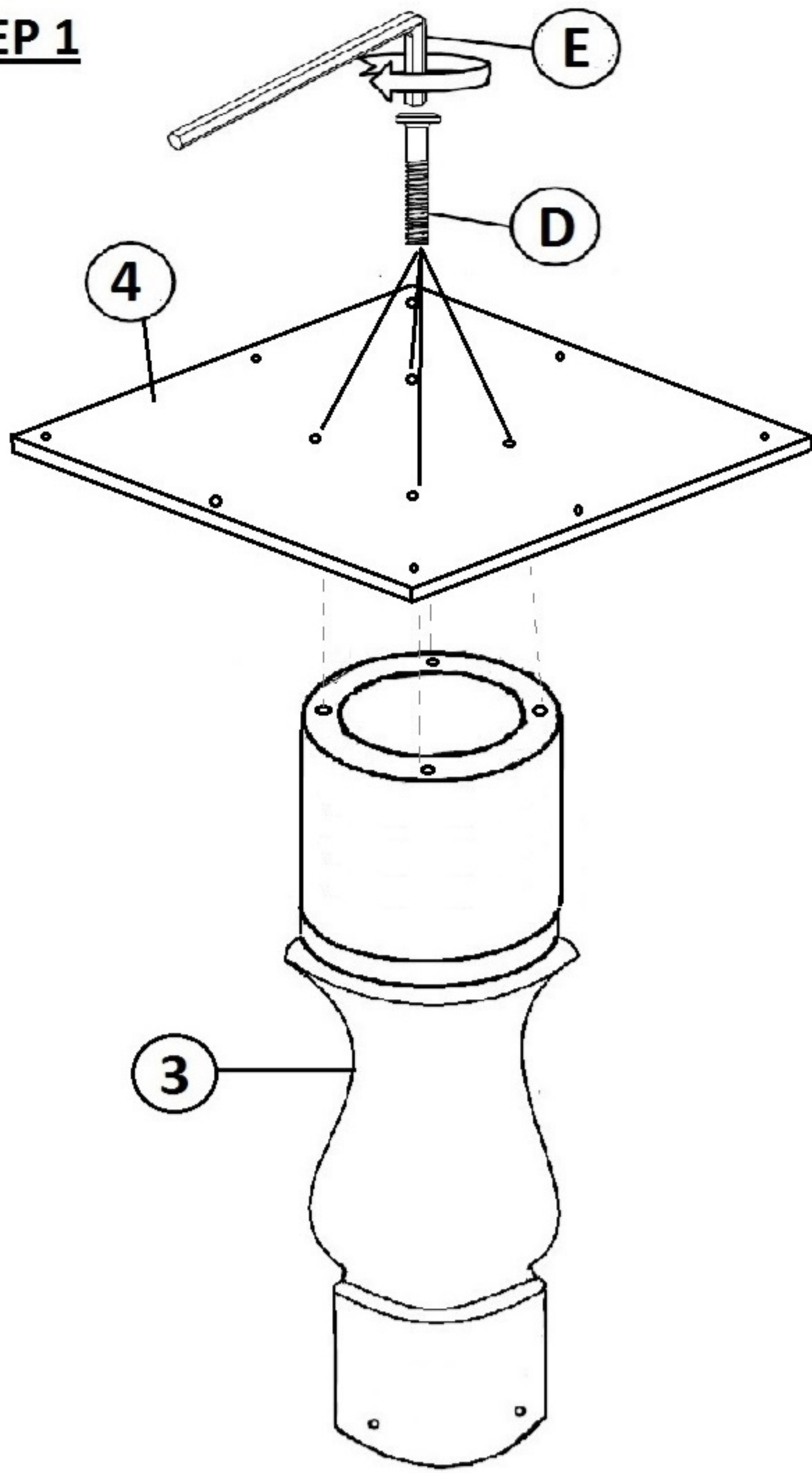
## PARTS LIST:

① Table top		1 PC
② Leg		4 PCS
③ Pedestal		1 PC
④ Table Top Support		1 PC

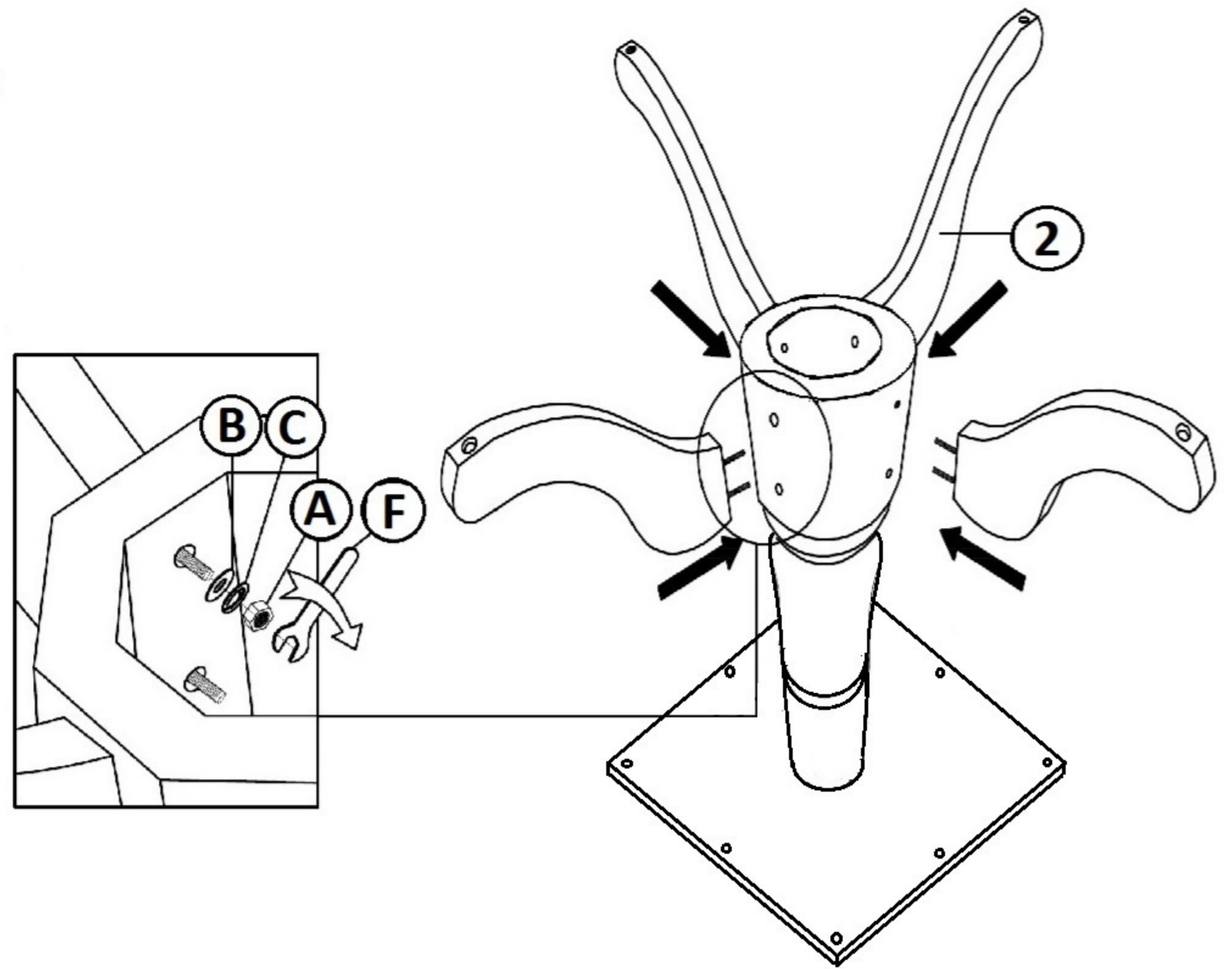
## HARDWARE LIST:

(A) Hex Nut		4 PCS
(B) Flat Washer		4 PCS
(C) Spring Washer		4 PCS
(D) JCBC Bolt		4 PCS
(E) Allen Key		1 PC
(F) Wrench		1 PC
(G) Chipboard Screw		8 PCS
(H) Adjustable Glide		4 PCS

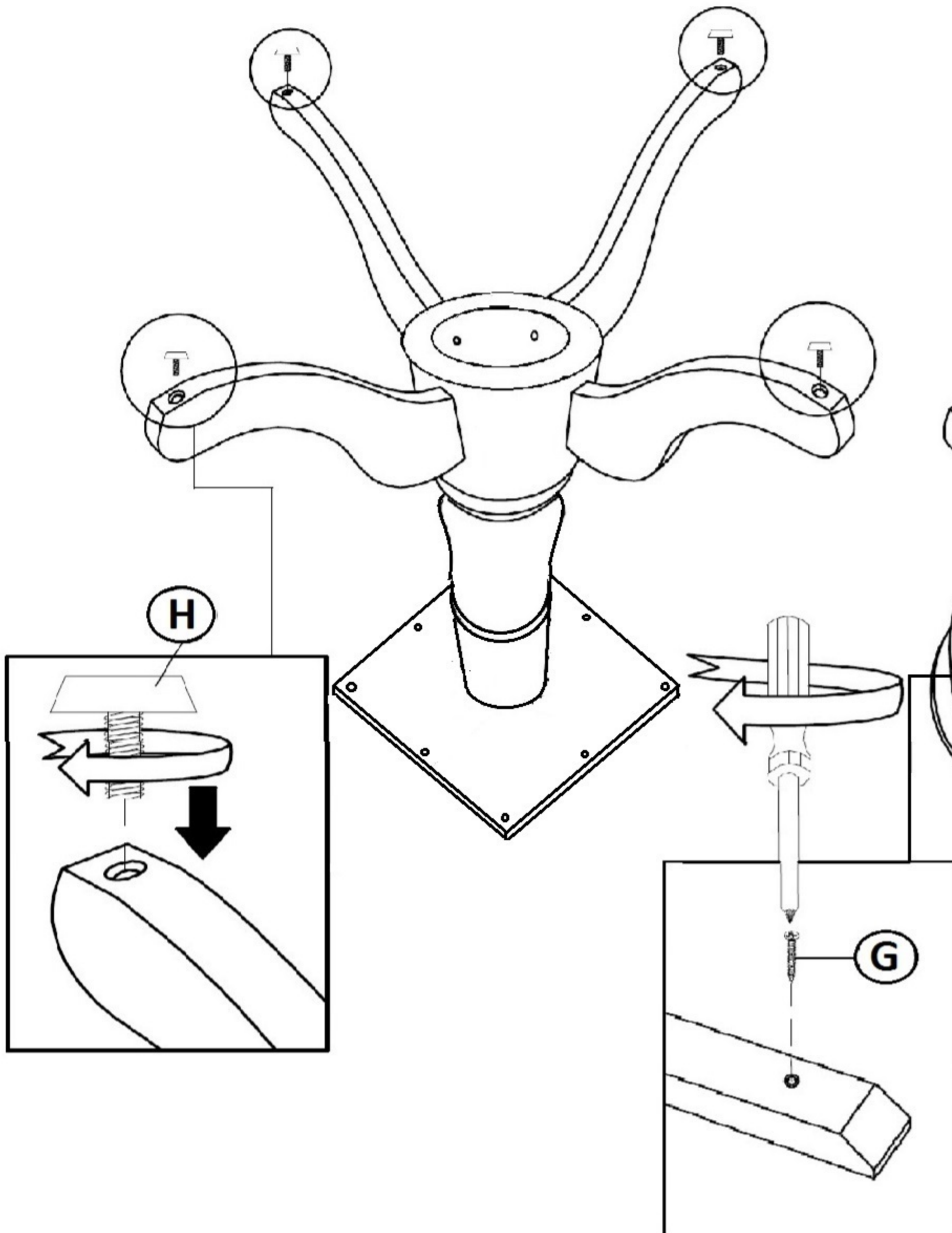
**STEP 1**



**STEP 2**



**STEP 3**



**STEP 4**

