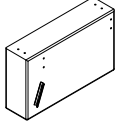
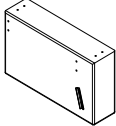
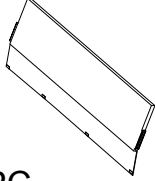
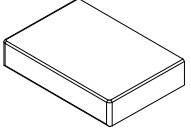
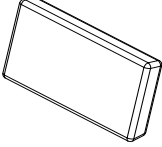
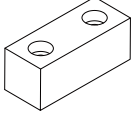
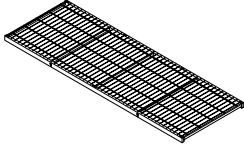
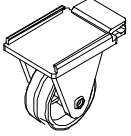

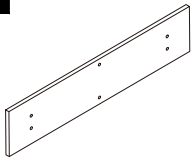






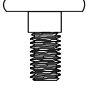

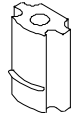
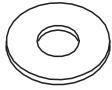
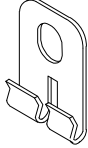
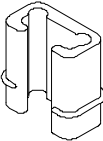

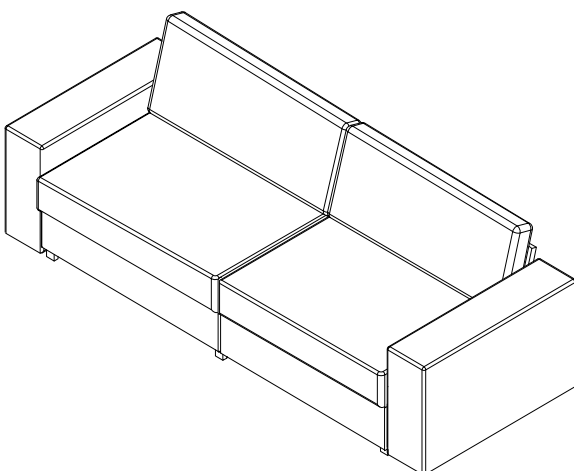


ASSEMBLY INSTRUCTIONS

SOFA WITH 2 METAL DRAWERS

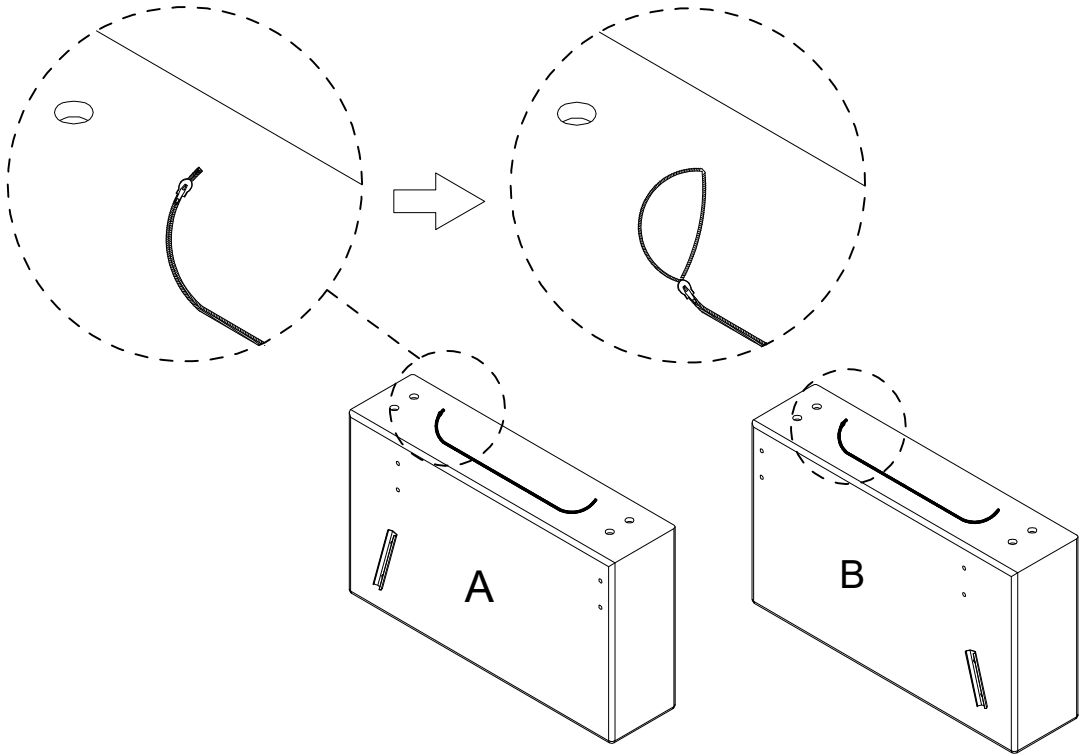
A LSF Arm  1PC	B RSF Arm  1PC	C Back  1PC	D Seat Cushion  2PCS
E Back Pillow  2PCS	F Leg  4PCS	G Seat  1PC	H Caster  8PCS
I Drawer  2PCS	J Drawer Front  4PCS	K Front Leg  1PC	L Rear Leg  2PCS
M Rear Middle Leg  2PCS	N Front Middle Leg  2PCS	O L-Allen Key 4mm  2PCS	P Bolt 5/16" x 65mm  2PCS
Q Bolt 1/4" x 16mm  2PCS	R Bolt 1/4" x 10mm  1PC	S Drawer Connector  1PC	T Flat Washer 5/16"  30PCS
U Bracket  2PCS	V Drawer Connector  4PCS	W Flat Washer 1/4"  2PCS	



This page lists all the contents included in the box. Please take the time to identify the hardware as well as the individual components to this product. As you unpack and prepare for assembly, place the contents on a carpeted or padded area to protect them from damage.

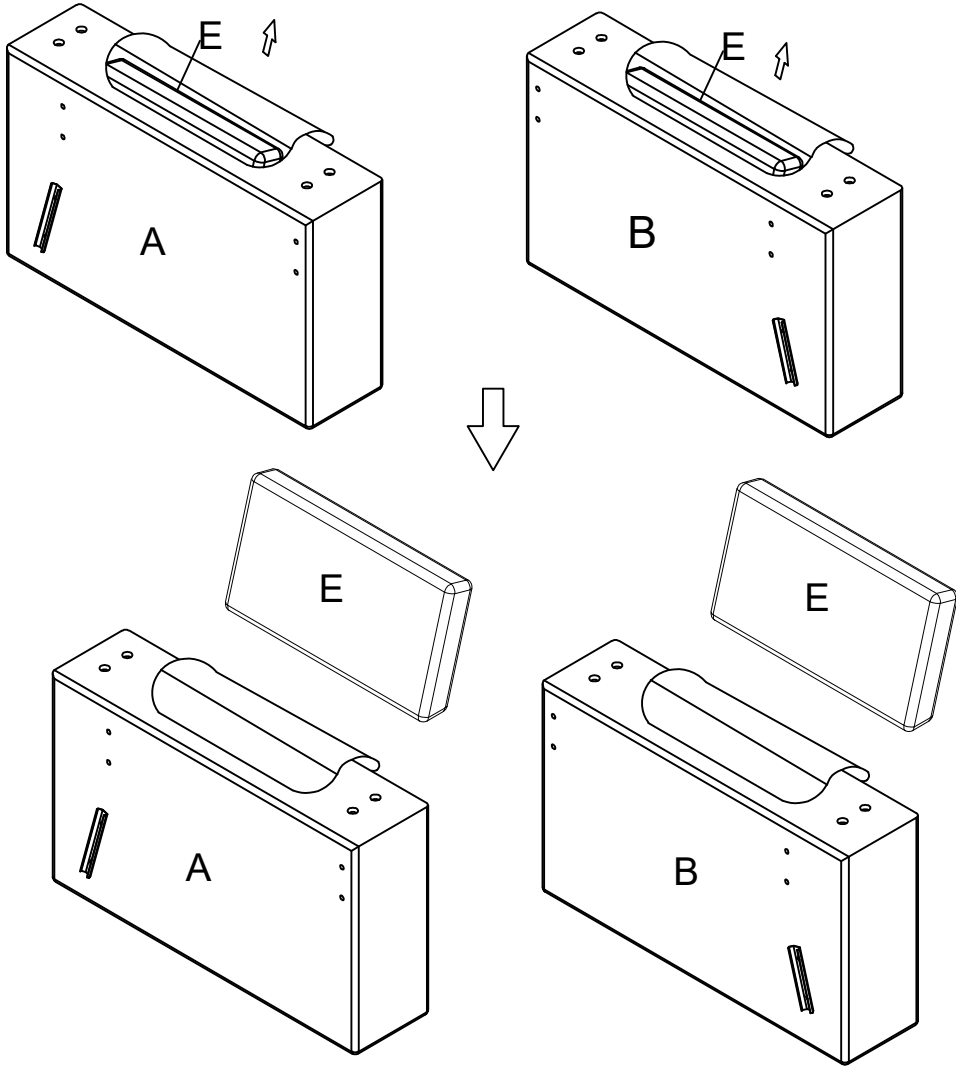
1

Open the zippers underneath Arms (A & B).



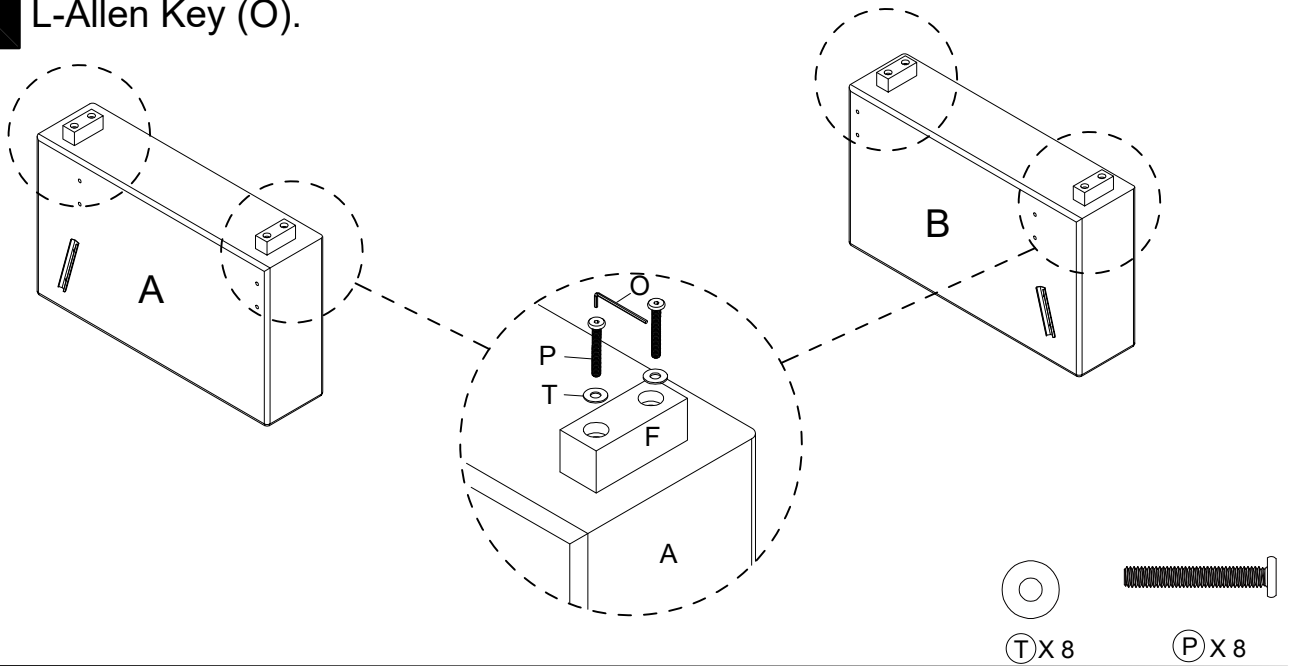
2

Take out Back Pillow (E) from Arms (A & B).

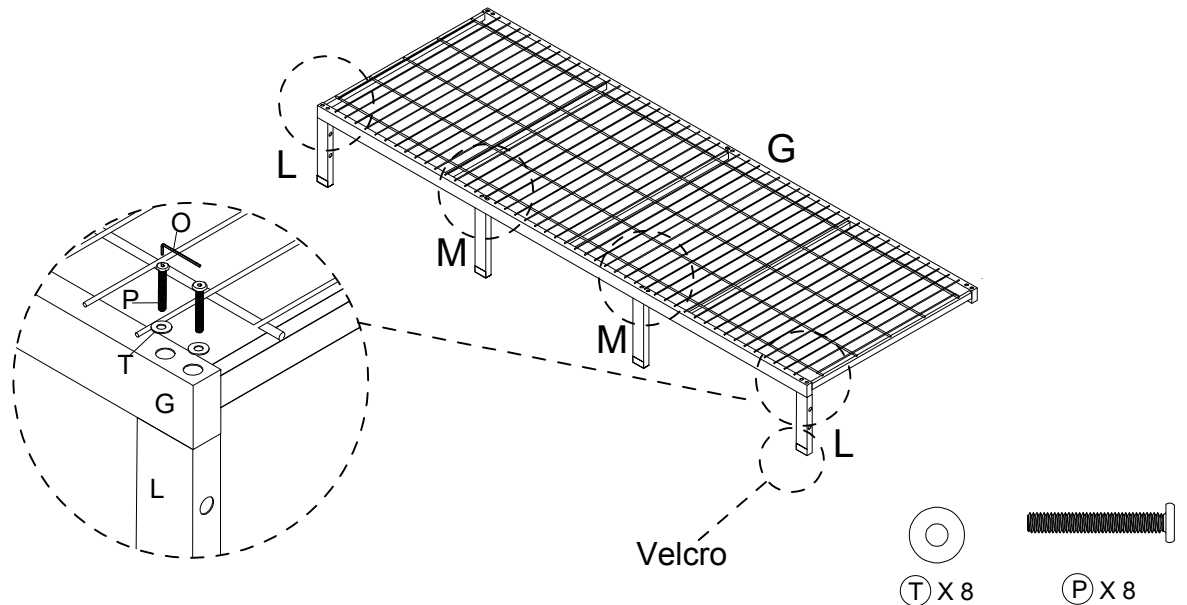


3

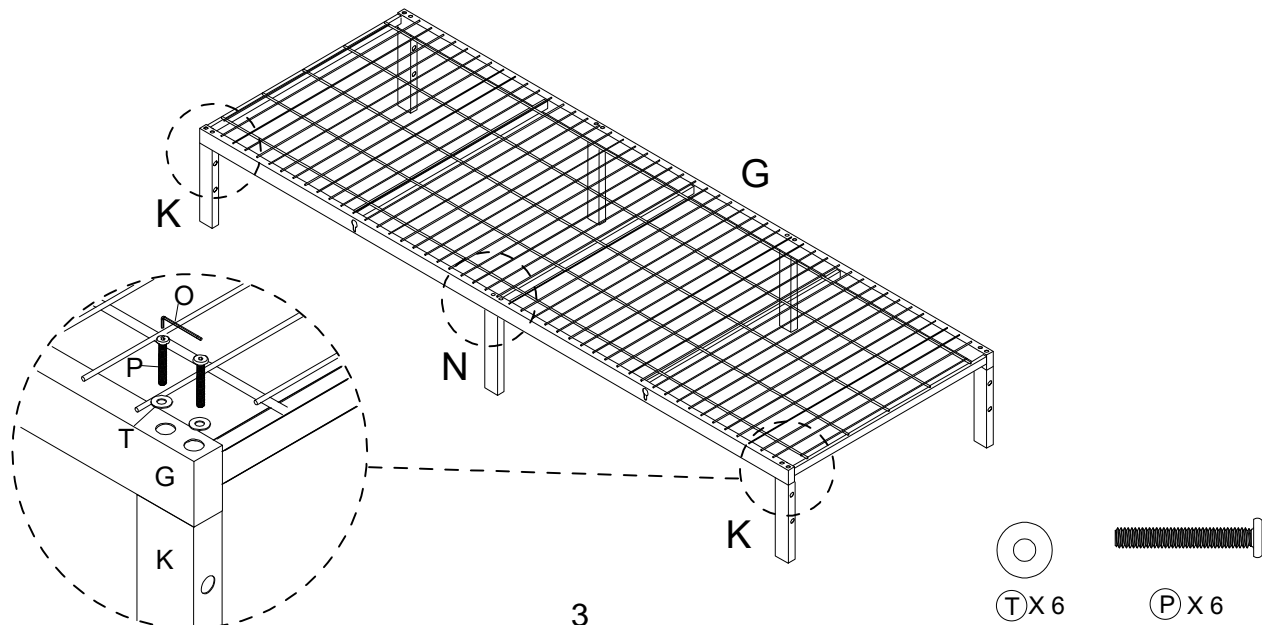
Attach Leg (F) to Arms (A & B) using Bolt (P) and Flat Washer (T) with L-Allen Key (O).

**4**

Attach Rear Leg (L) and Rear Middle Leg (M) to Seat (G) using Bolt (P) and Flat Washer (T) with L-Allen Key (O).

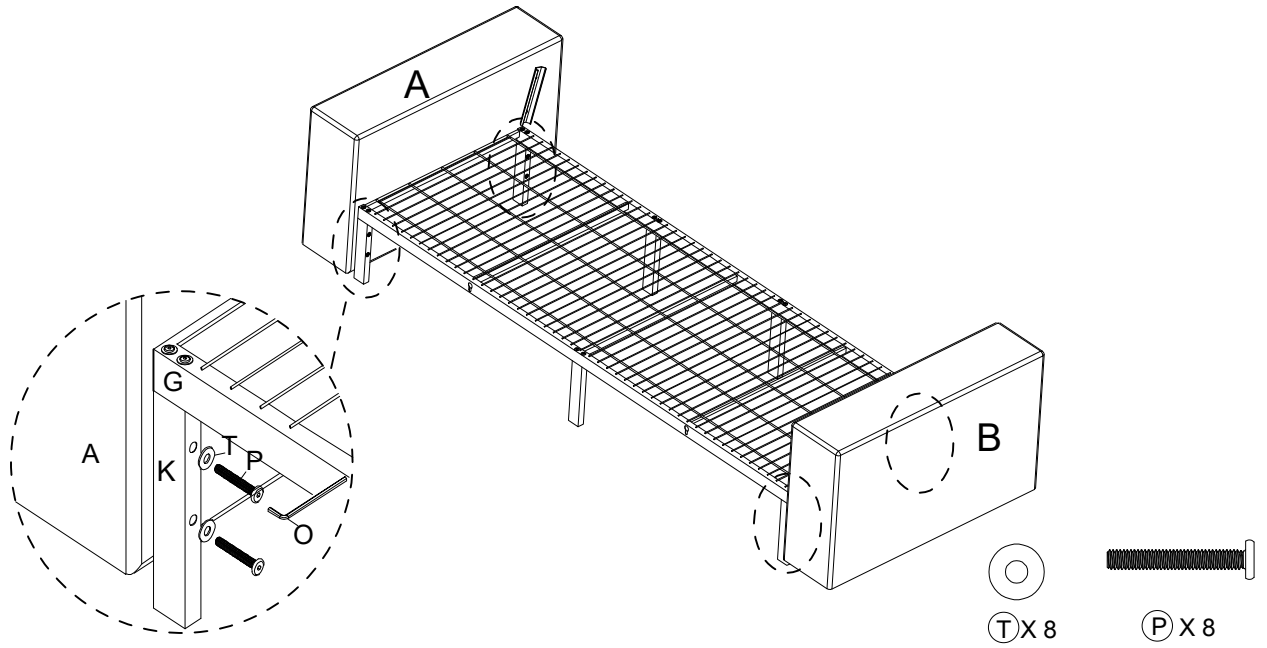
**5**

Attach Front Leg (K) and Front Middle Leg (N) to Seat (G) using Bolt (P) and Flat Washer (T) with L-Allen Key (O).

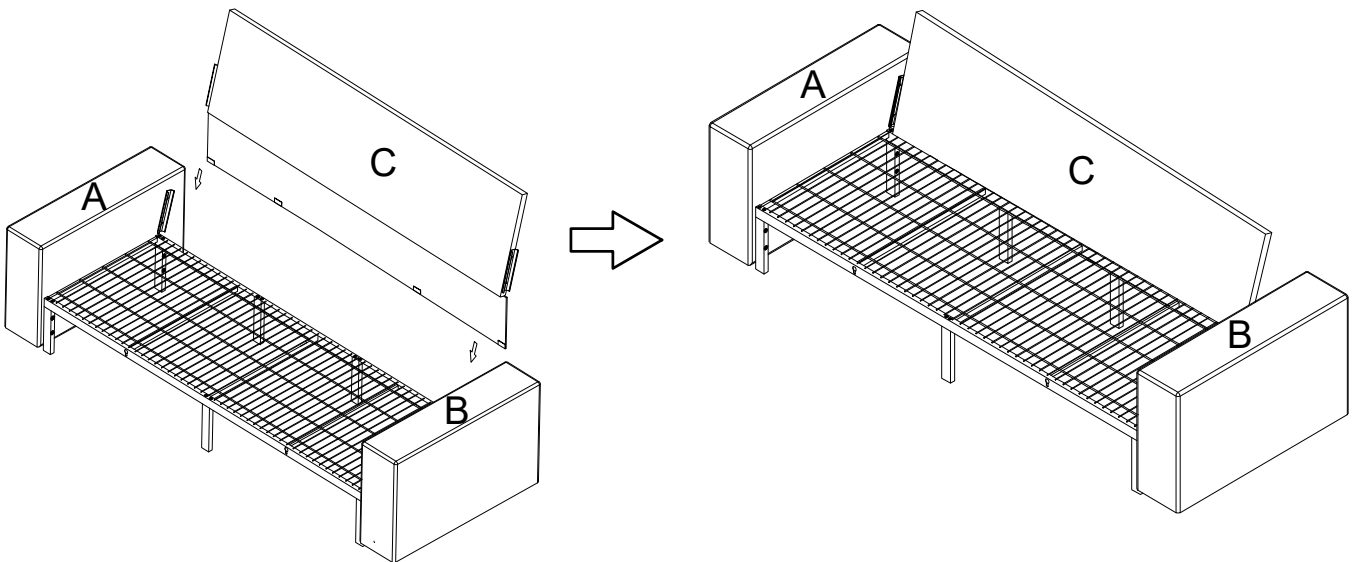


6

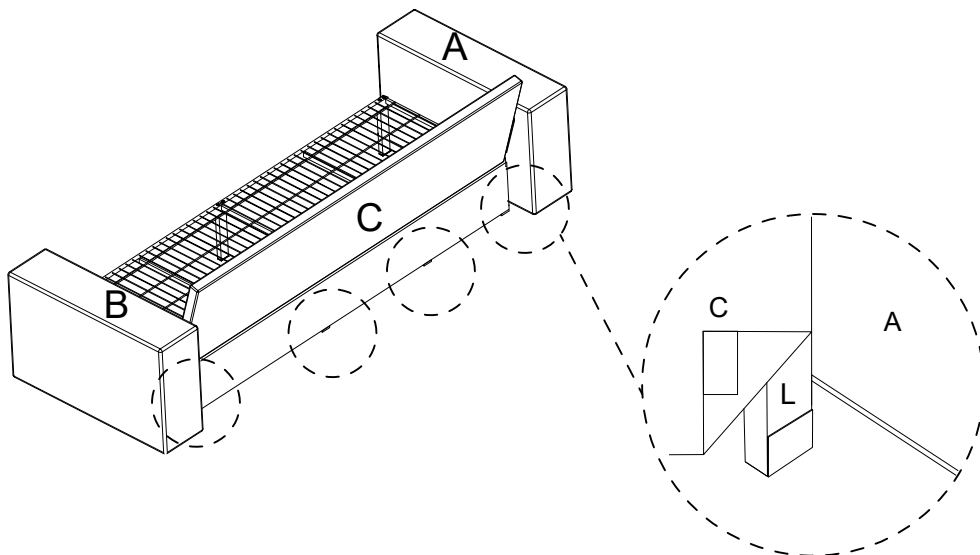
Attach Front & Rear Leg (K & L) to Arms (A & B) using Bolt (P) and Flat Washer (T) with L-Allen Key (O).

**7**

Insert Back (C) into Arms (A & B).

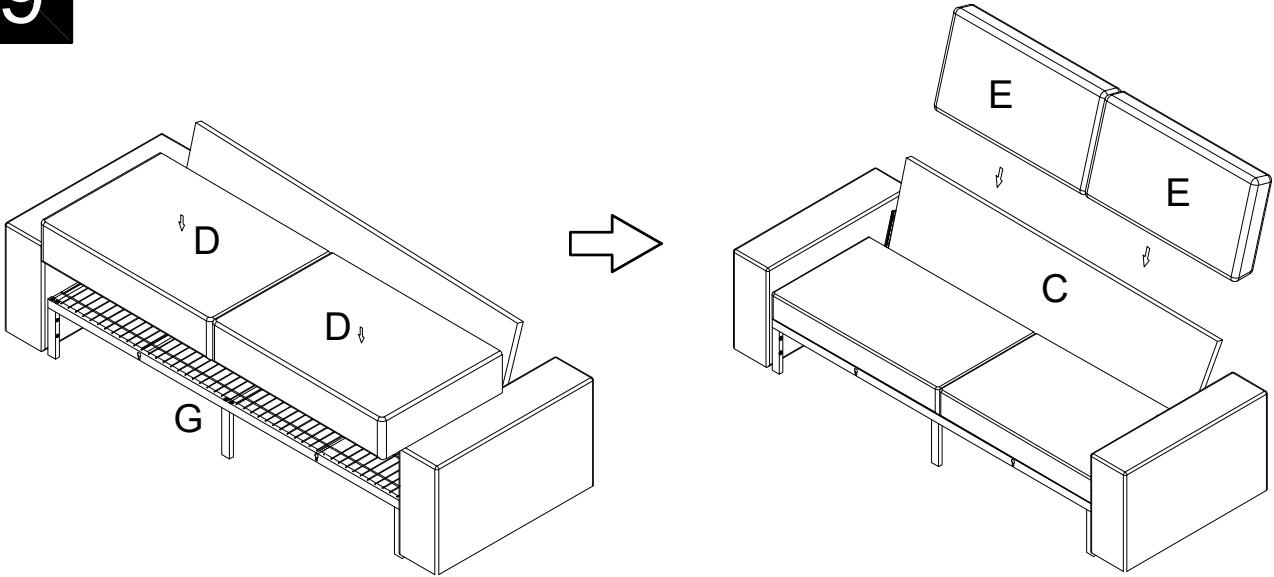
**8**

Paste the cloth cover of Back (C) to Rear Leg (L) and Rear Middle Leg (M).

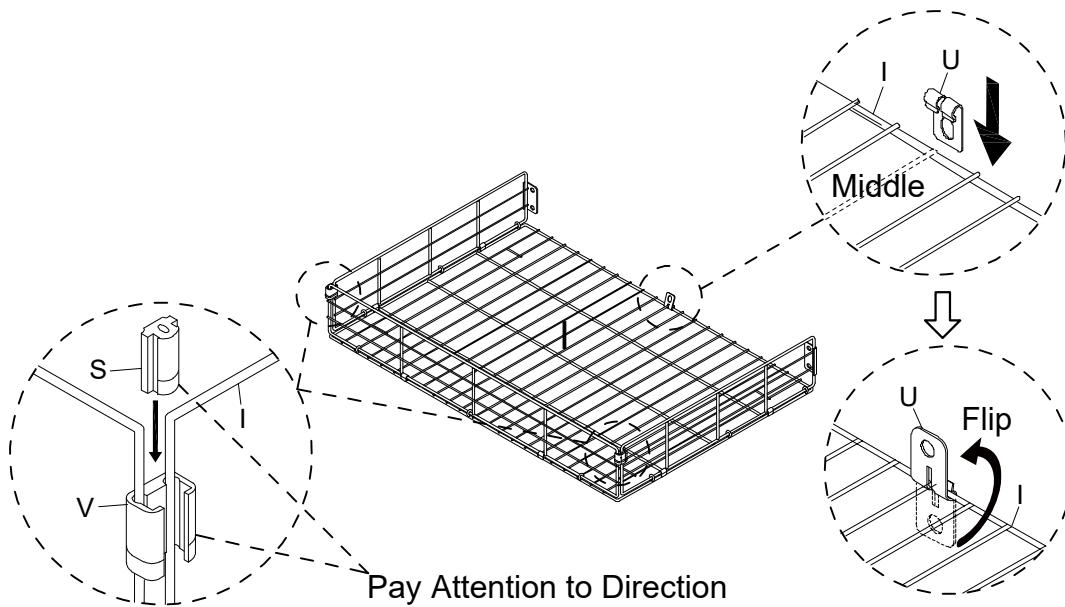


9

Place Seat Cushion (D) and Back Pillow (E) on Seat (G) and Back (C).

**10**

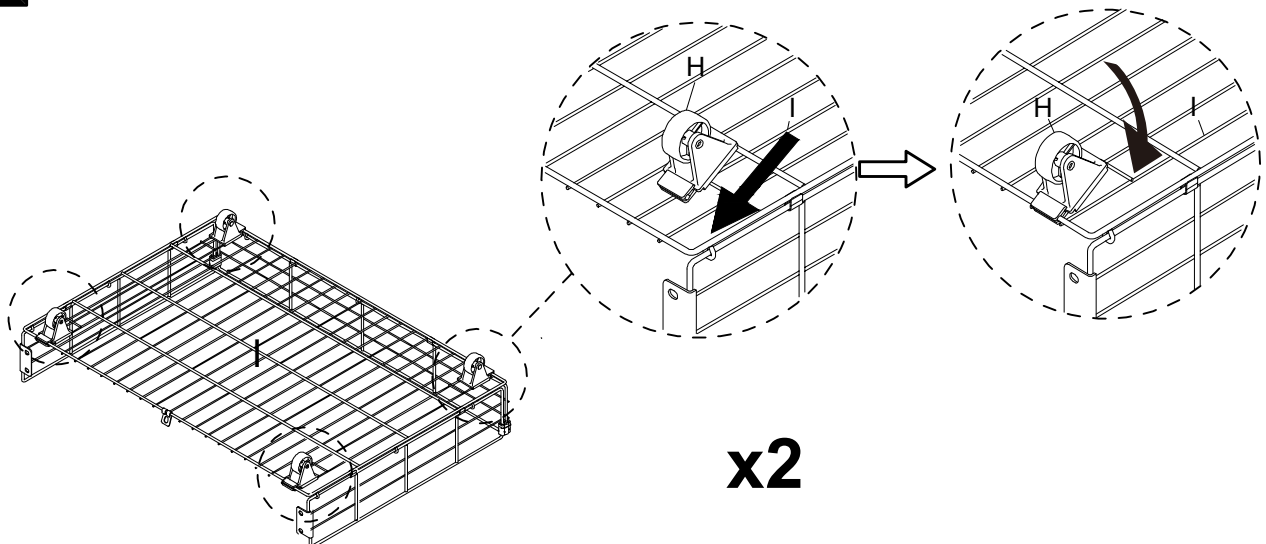
Assemble Drawer (I) using Drawer Connector (S & V), then insert Bracket (U) into the middle of Drawer (I).

**x2**

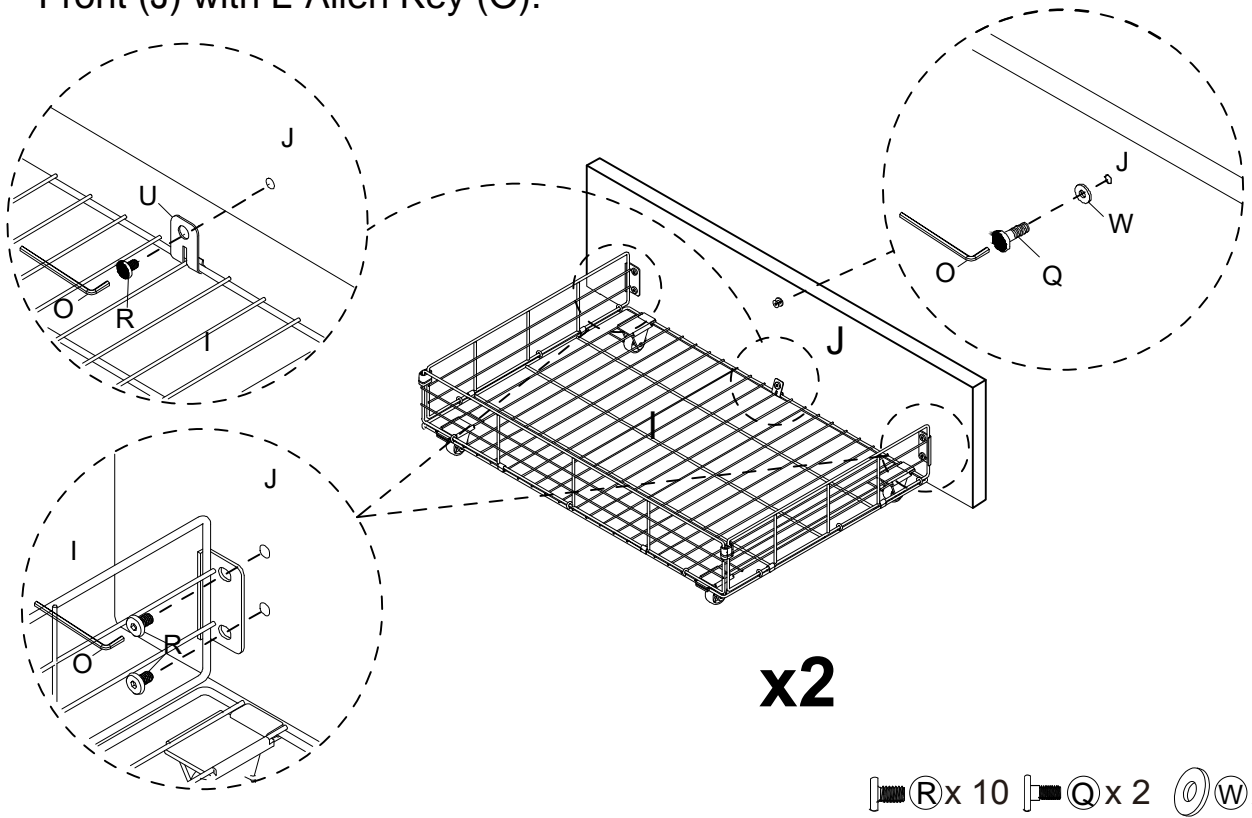
S x 4 V x 4 U x 2

11

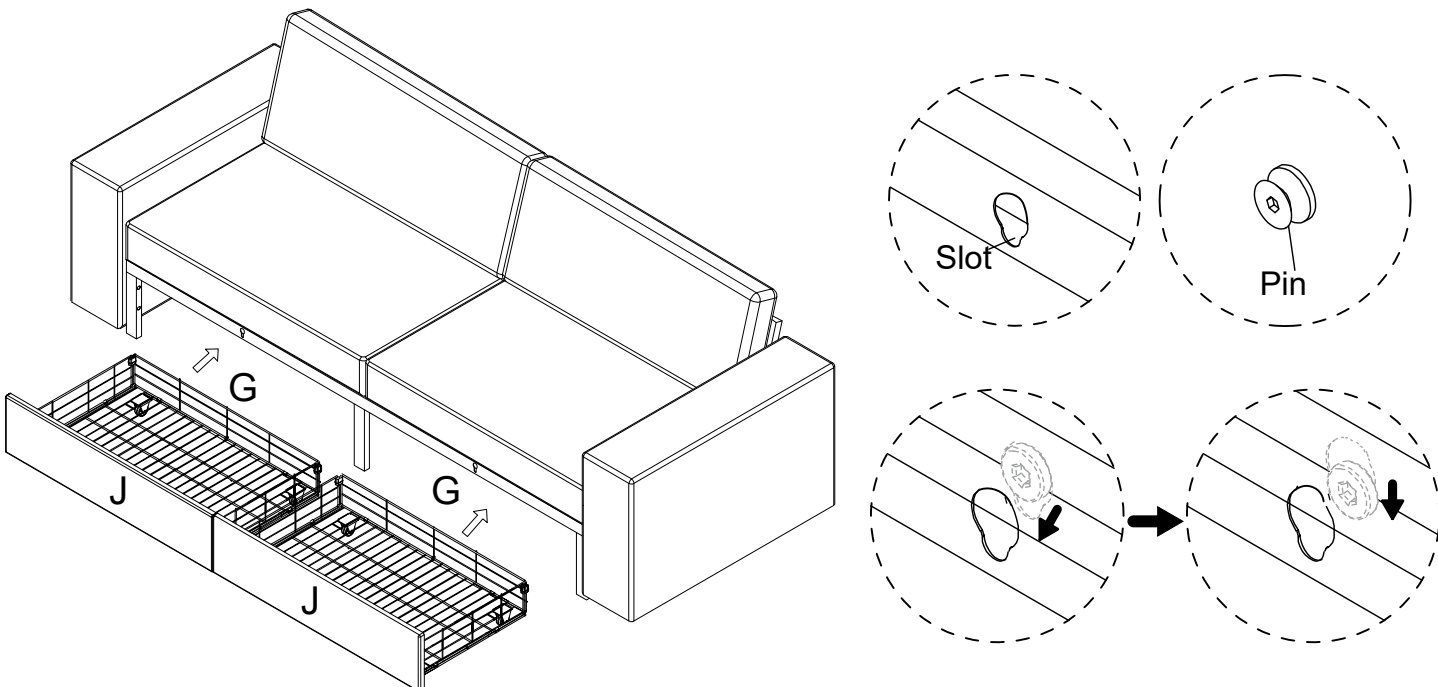
Insert Caster (H) into Drawer (I) and fasten as shown.

**x2**

12 Attach Drawer (I) and Bracket (U) to Drawer Front (J) using Bolt (R) with L-Allen Key (O). Then, secure Bolt (Q) and Flat Washer (W) to Drawer Front (J) with L-Allen Key (O).



13 Move the assembled drawers under the Sofa. The pin on the Drawer Front (J) can be locked into the slot on the Sofa.



Cleaning & Care

Treat surfaces with care. Surfaces are resistant to scratches but are not scratch resistant. Clean surfaces with a dry or damp soft cloth. Do not use abrasive cleaners. Hardware may loosen over time. Periodically check that all connections are tight.